



US00D360715S

# United States Patent [19]

[11] Patent Number: Des. 360,715

Weimer et al.

[45] Date of Patent: \*\* Jul. 25, 1995

[54] BALL WASHER

D. 237,005	9/1975	Akel	.....	D32/1
D. 238,390	1/1976	Akel	.....	D32/1
D. 309,201	7/1990	Thrasher	.....	D32/1
5,133,249	7/1992	Zittel	.....	134/65

[75] Inventors: **Ralph E. Weimer, Wheaton; Duane R. Acker, Mundelein, both of Ill.**

[73] Assignee: **Discovery Zone, Inc., Chicago, Ill.**

*Primary Examiner*—Ruth McInroy  
*Attorney, Agent, or Firm*—Jenner & Block

[\*\*] Term: **14 Years**

[57] **CLAIM**

[21] Appl. No.: **10,196**

The ornamental design for a ball washer, as shown and described.

[22] Filed: **Jun. 29, 1993**

[52] U.S. Cl. .... **D32/1**

**DESCRIPTION**

[58] Field of Search ..... **D32/1; D21/234;**  
**15/320-321, 3.5, 302, 305, 306.1, 308; 134/65**

FIG. 1 is a perspective view of a ball washer showing our new design;

FIG. 2 is a front elevational view thereof;

FIG. 3 is a top plan view thereof;

FIG. 4 is a left side elevational view thereof, the opposite side being a mirror image; and,

FIG. 5 is a rear elevational view thereof.

[56] **References Cited**

**U.S. PATENT DOCUMENTS**

D. 185,492	6/1959	Dreyfuss	.....	D32/1
D. 199,238	9/1964	Harkins	.....	D32/1

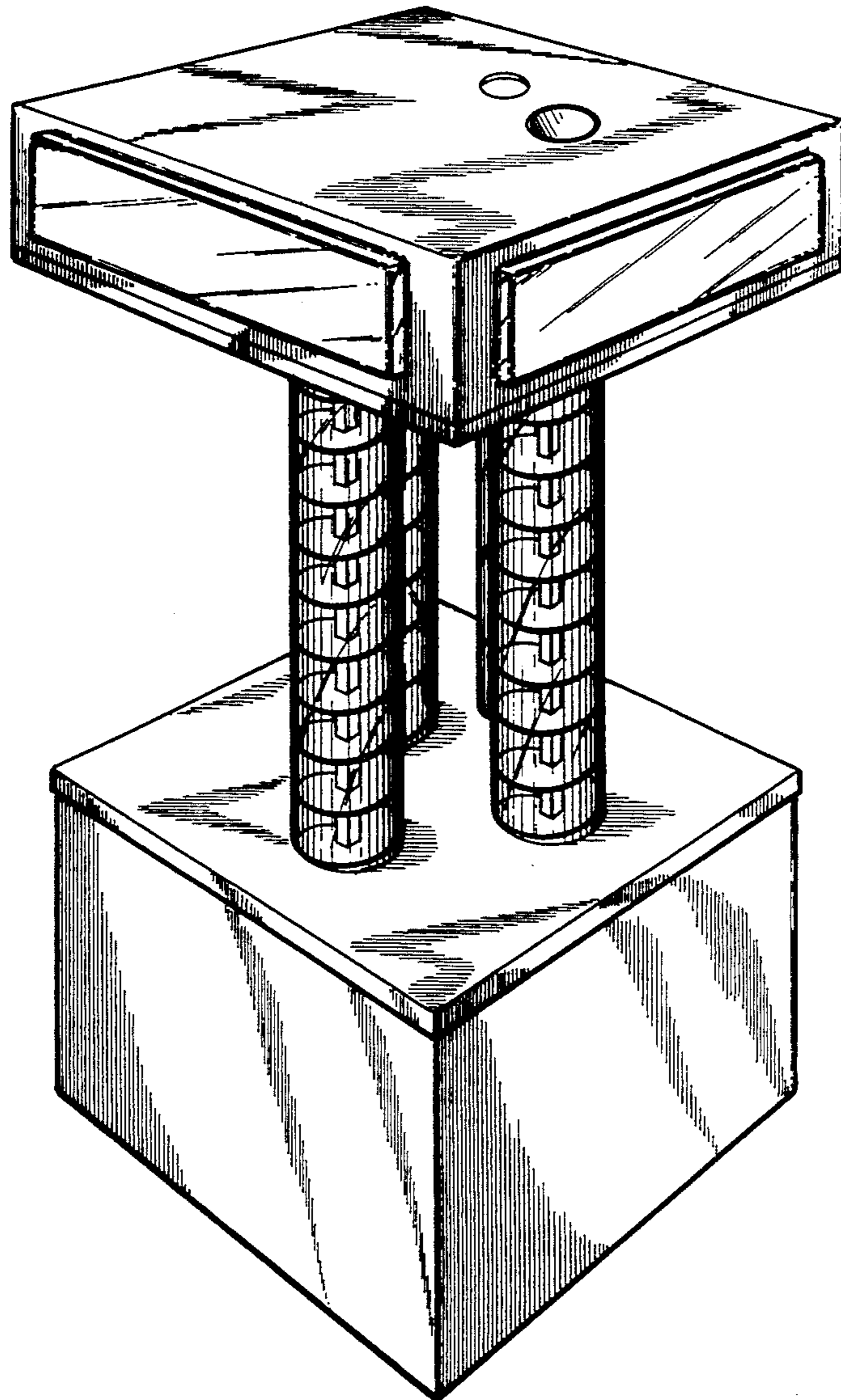


FIG. 1

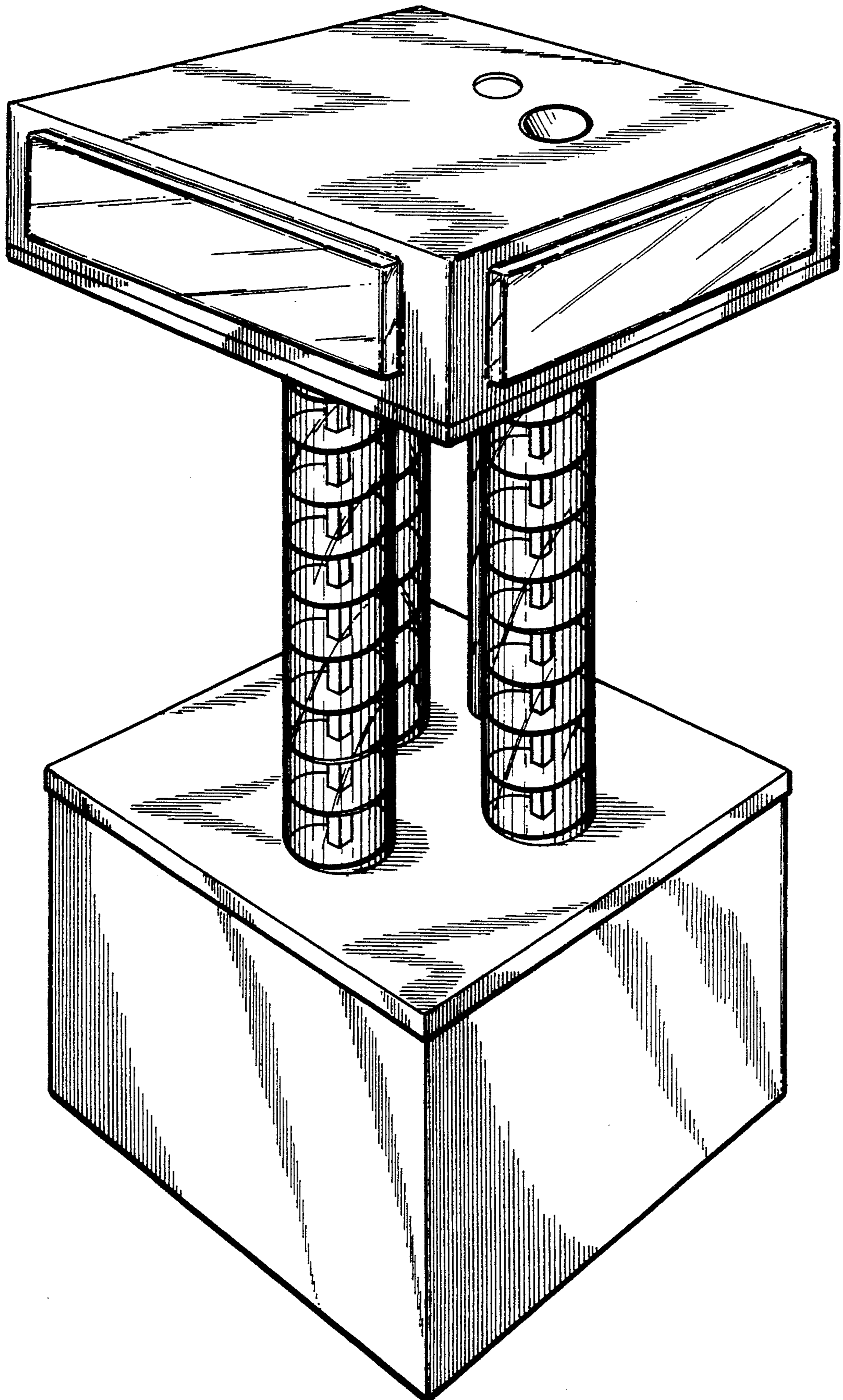


FIG. 2

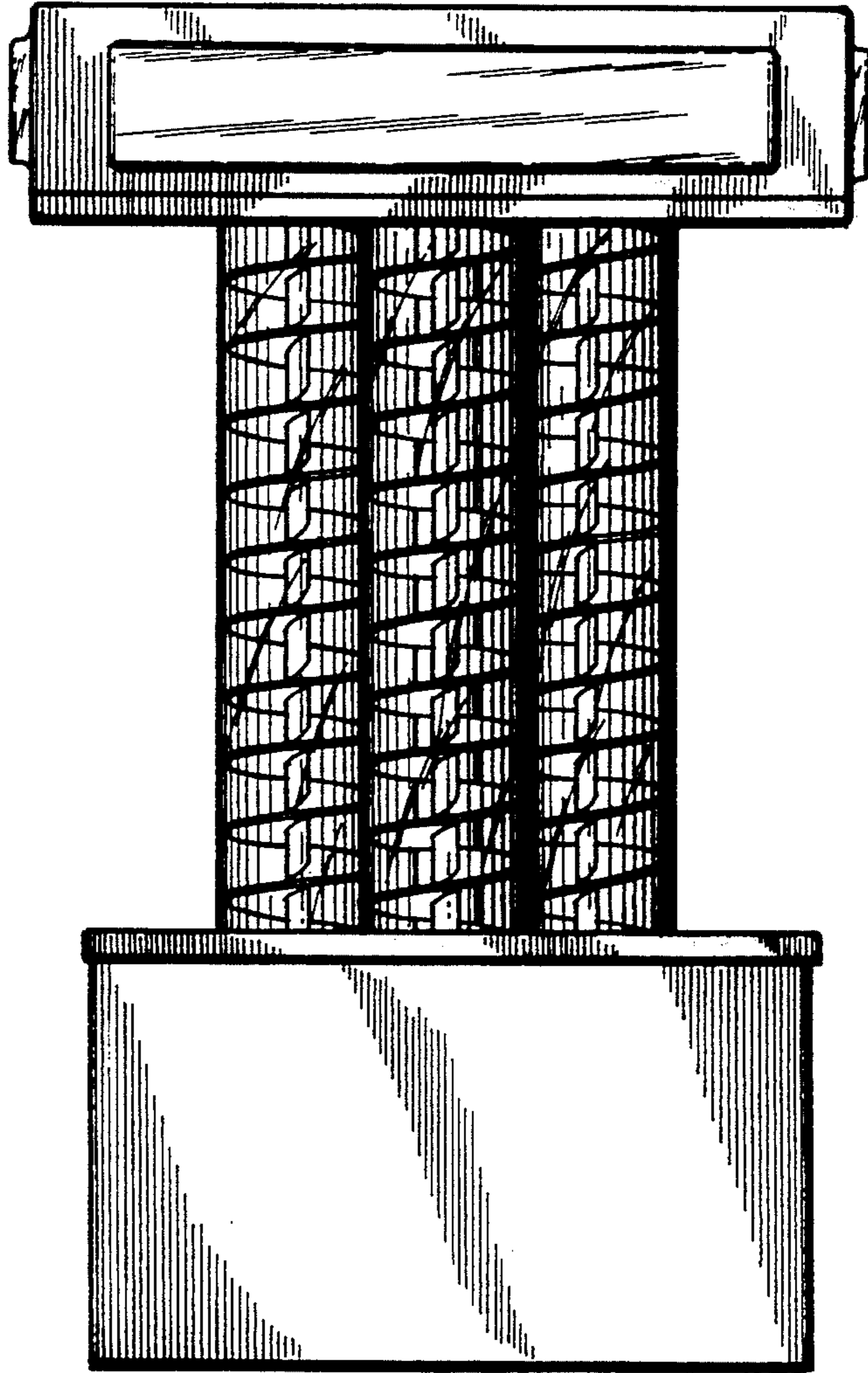


FIG. 3

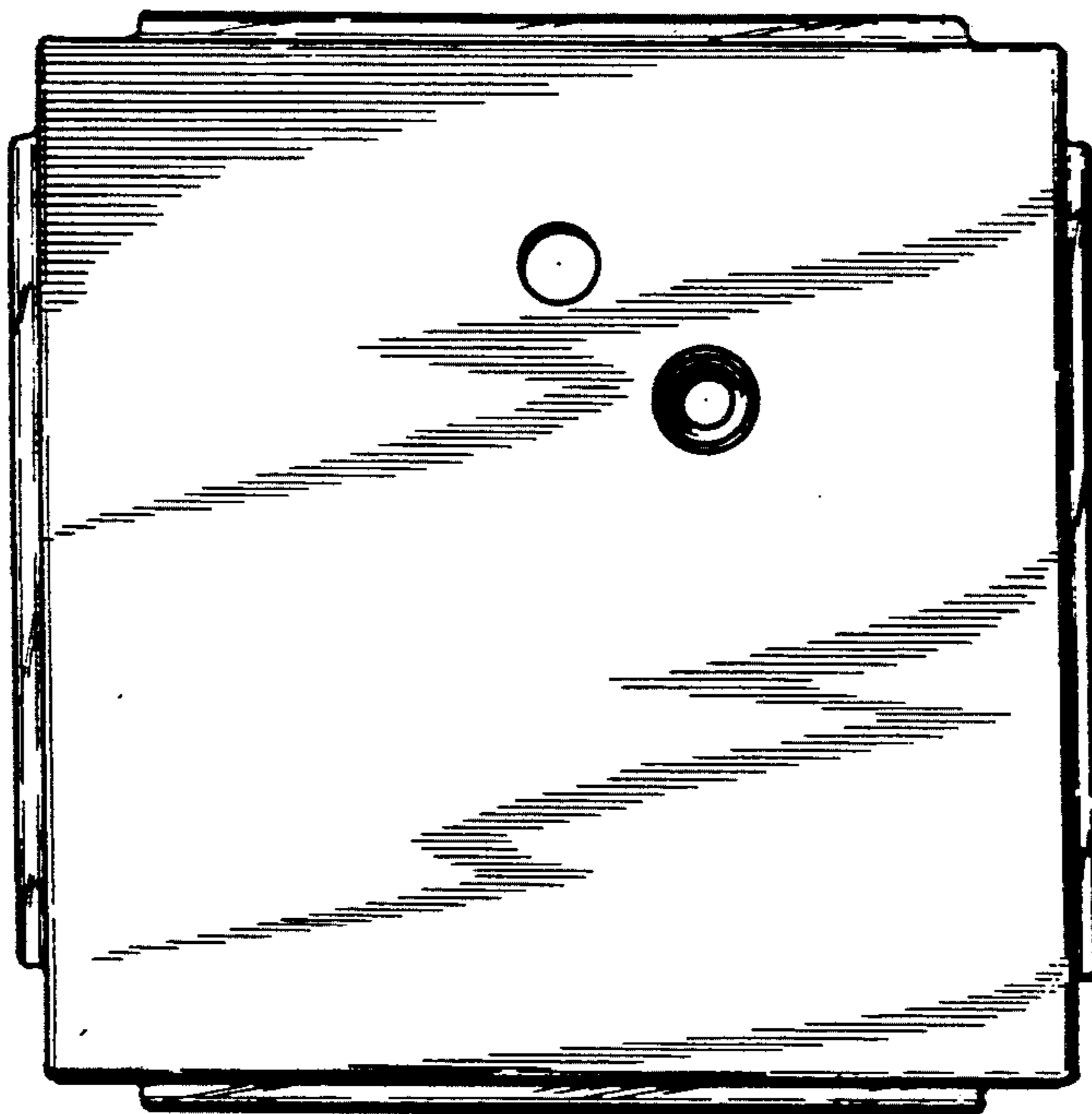


FIG. 5

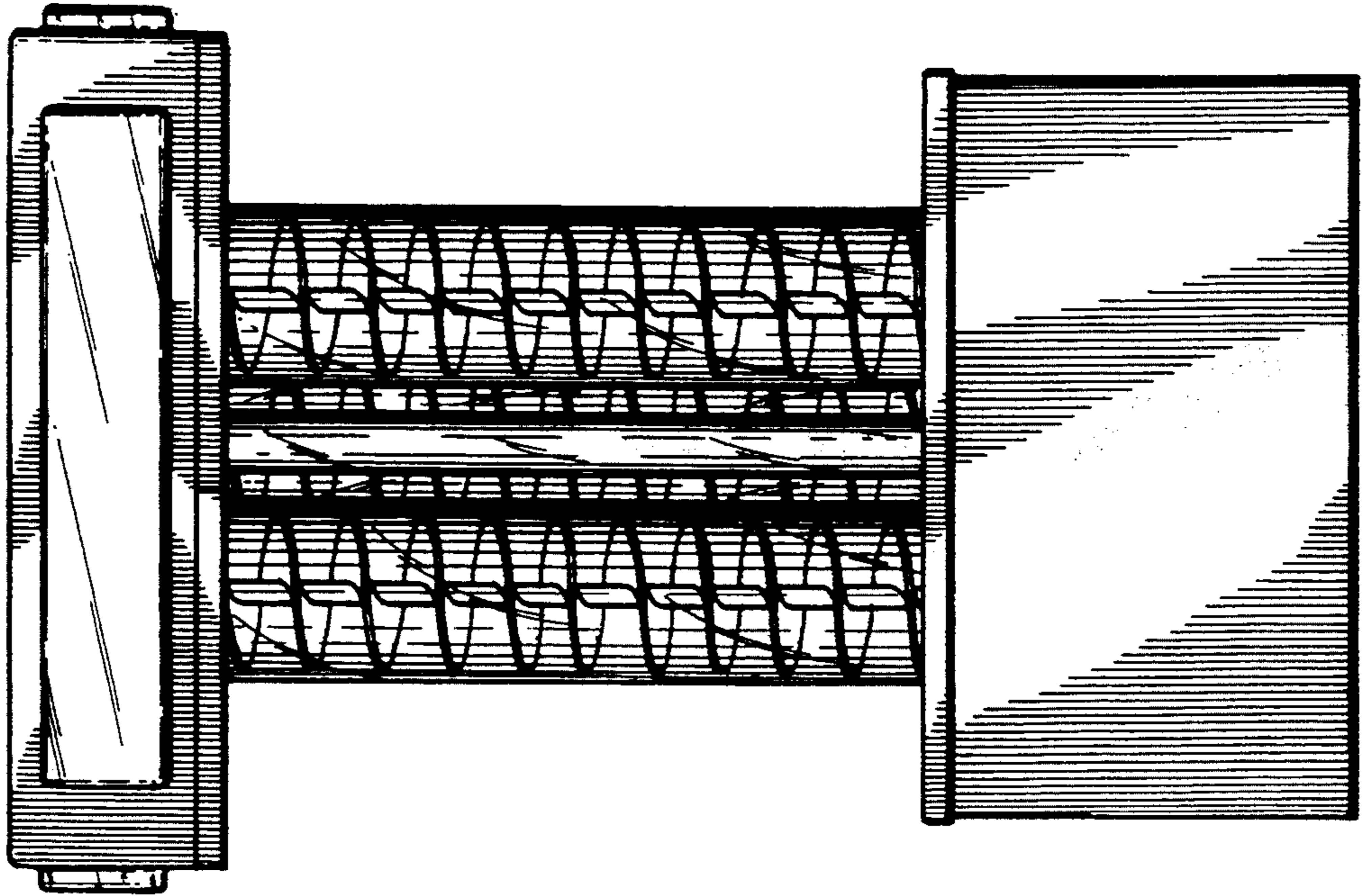


FIG. 4

