



US00D360711S

United States Patent [19]
O'Neill

[11] **Patent Number: Des. 360,711**

[45] **Date of Patent: ** Jul. 25, 1995**

[54] **ANIMAL RESTRAINT FOR A PICK-UP TRUCK BODY**

[76] **Inventor: Rory O'Neill, 615 Hot Springs Rd., Santa Barbara, Calif. 93108**

[**] **Term: 14 Years**

[21] **Appl. No.: 16,796**

[22] **Filed: Dec. 28, 1993**

[52] **U.S. Cl. D30/151; D119/771**

[58] **Field of Search D30/151-153, D30/154; 119/771, 784, 785, 795**

[56] **References Cited**

U.S. PATENT DOCUMENTS

D. 343,032	1/1994	Carrero	D30/151
819,561	5/1906	Laws	119/785
3,491,726	1/1970	Partin	119/770
3,678,903	7/1972	Ferraro	119/784
4,252,084	2/1981	Willow	119/771
4,791,886	12/1988	Anderson	119/771
4,827,876	5/1989	Krekelberg	119/771
4,834,027	5/1989	Meyer	119/771
4,899,694	2/1990	Belluomini	119/771
4,947,801	8/1990	Glass	119/771

FOREIGN PATENT DOCUMENTS

26249 2/1912 United Kingdom 119/795
1395255 5/1975 United Kingdom D30/5

Primary Examiner—Cathy Anne MacCormac
Attorney, Agent, or Firm—Howard A. Kenyon

[57] **CLAIM**

The ornamental design for an animal restraint for a pickup truck body, as shown and described.

DESCRIPTION

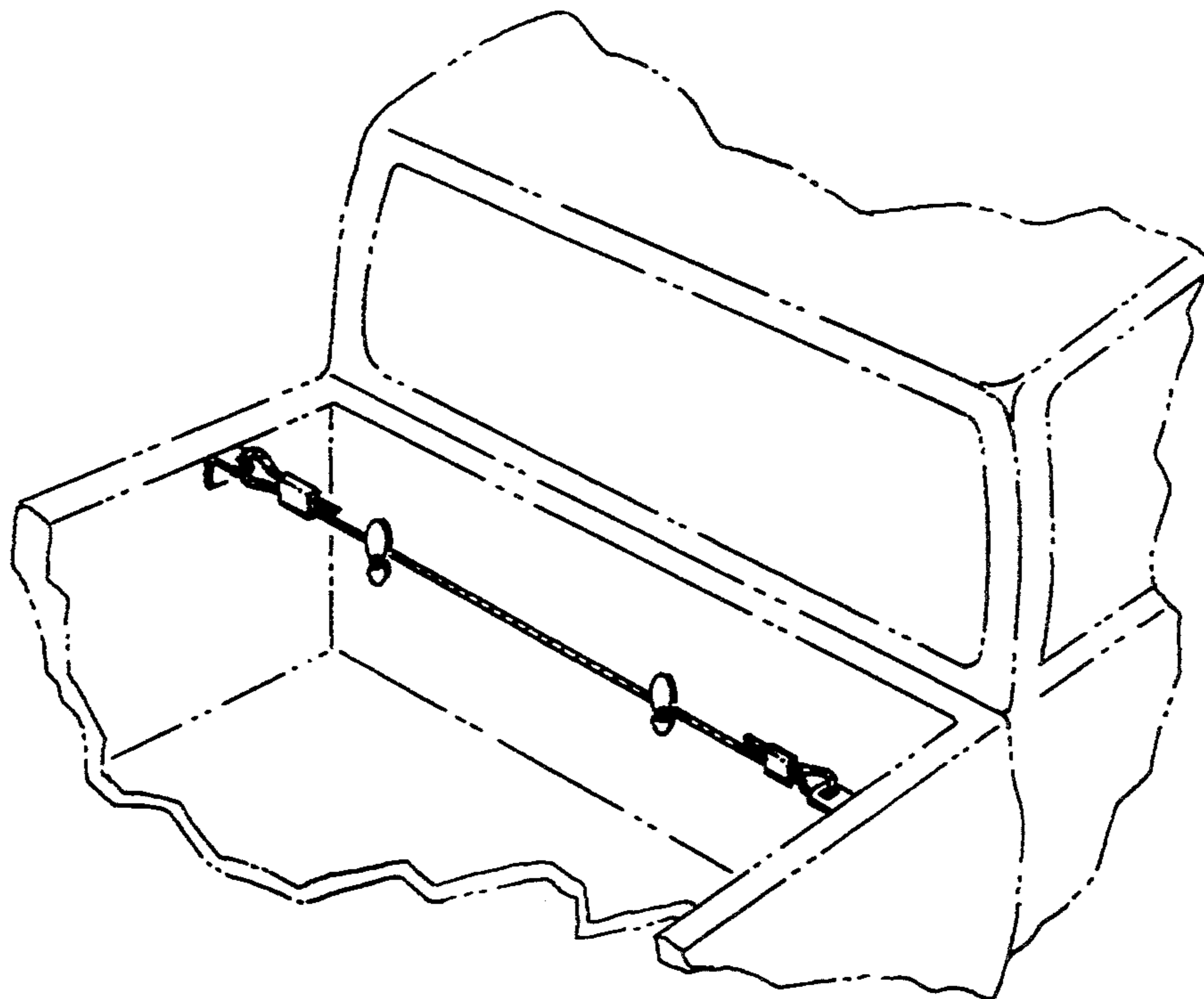
FIG. 1 is a perspective view of an animal restraint for a pickup truck body showing my new design, the broken lines are for purposes of illustration only and form no part of the claimed design;

FIG. 2 is a front elevation view thereof, the rear being a mirror image;

FIG. 3 is an enlarged fragmentary view thereof taken near the left side of FIG. 2, the opposite side is a mirror image;

FIG. 4 is an enlarged fragmentary view thereof taken near the right side of FIG. 2, the opposite side is a mirror image; and,

FIG. 5 is a right side elevation view of FIG. 3, the left side is a mirror image.



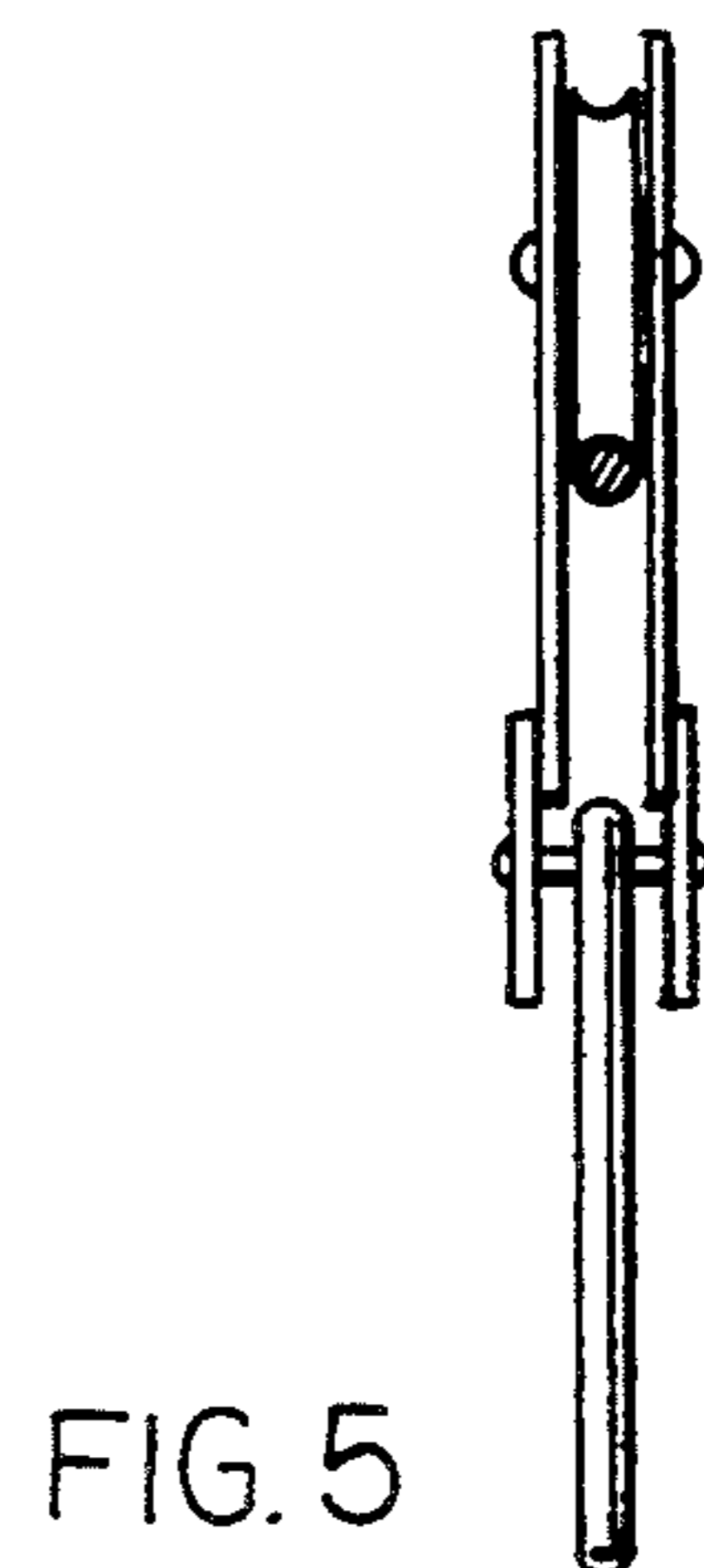
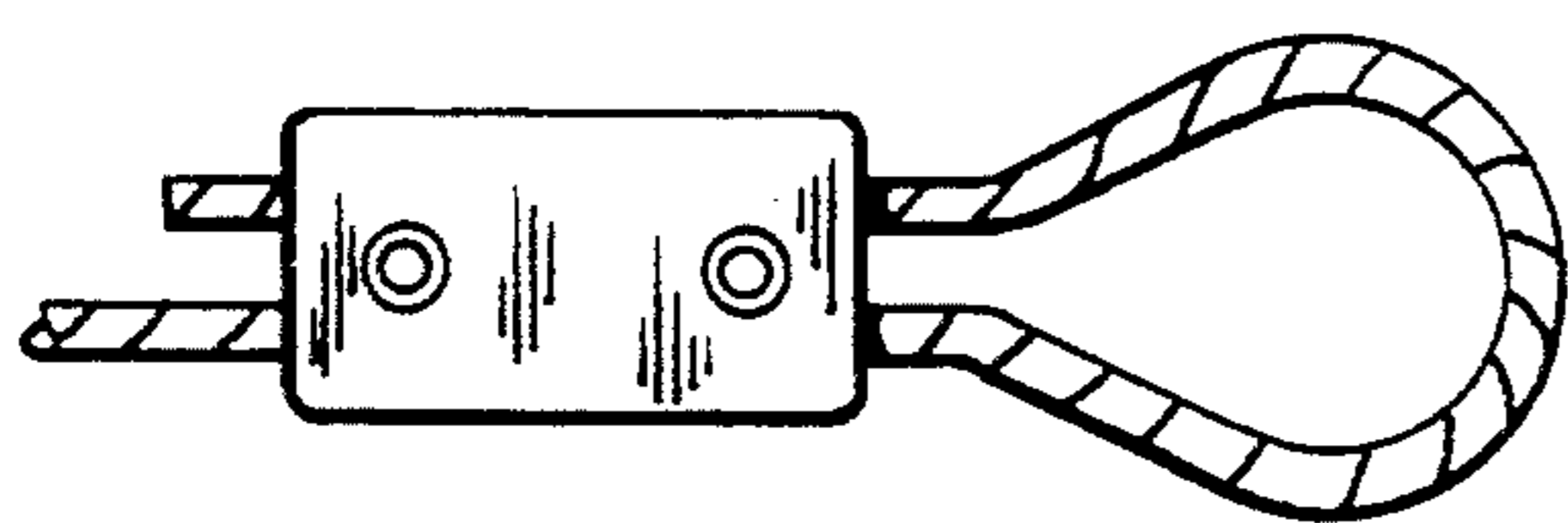
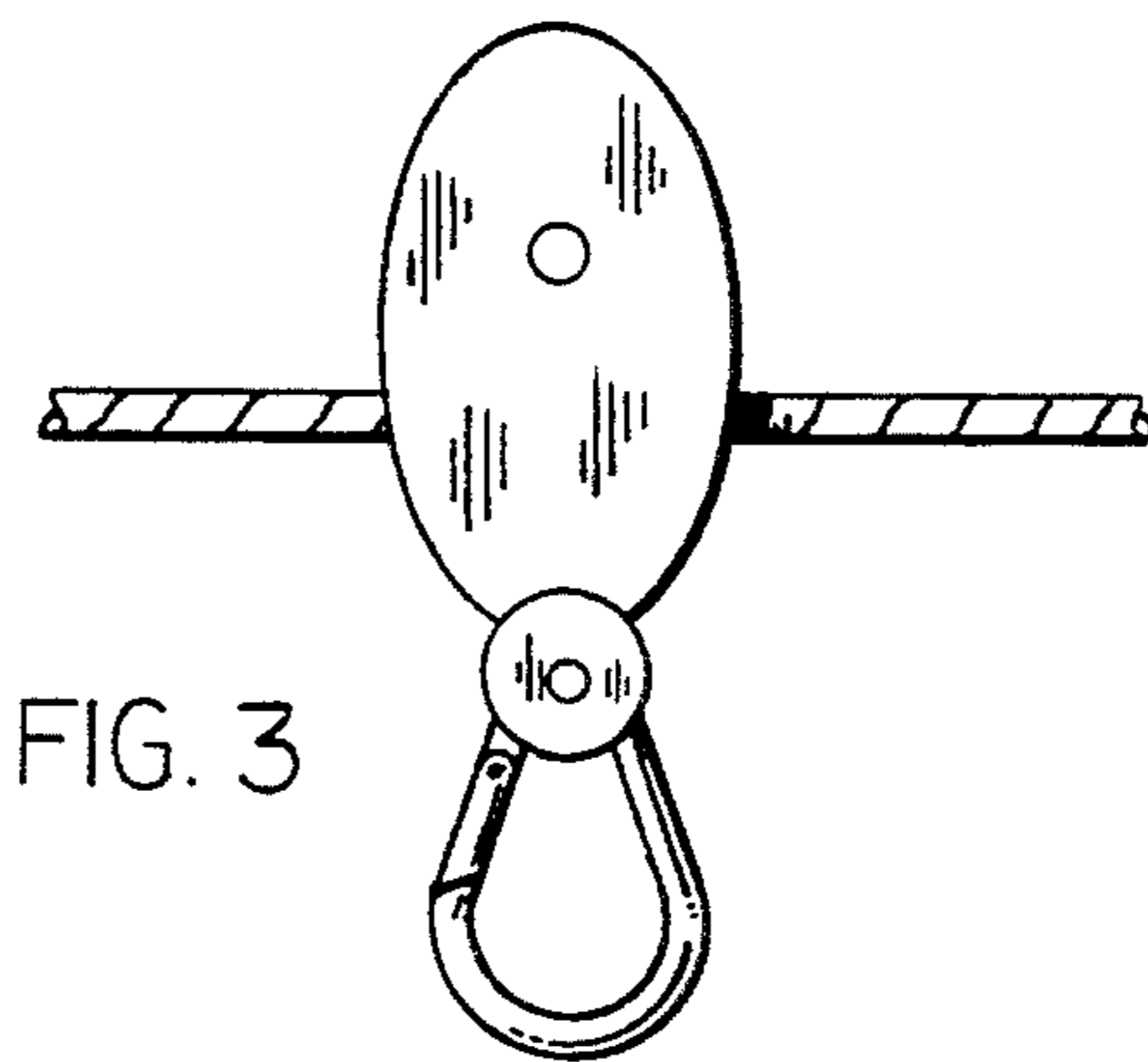
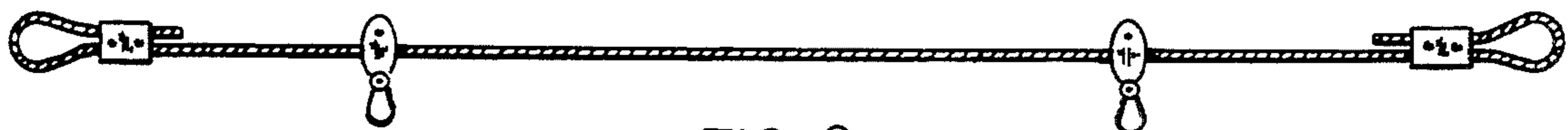
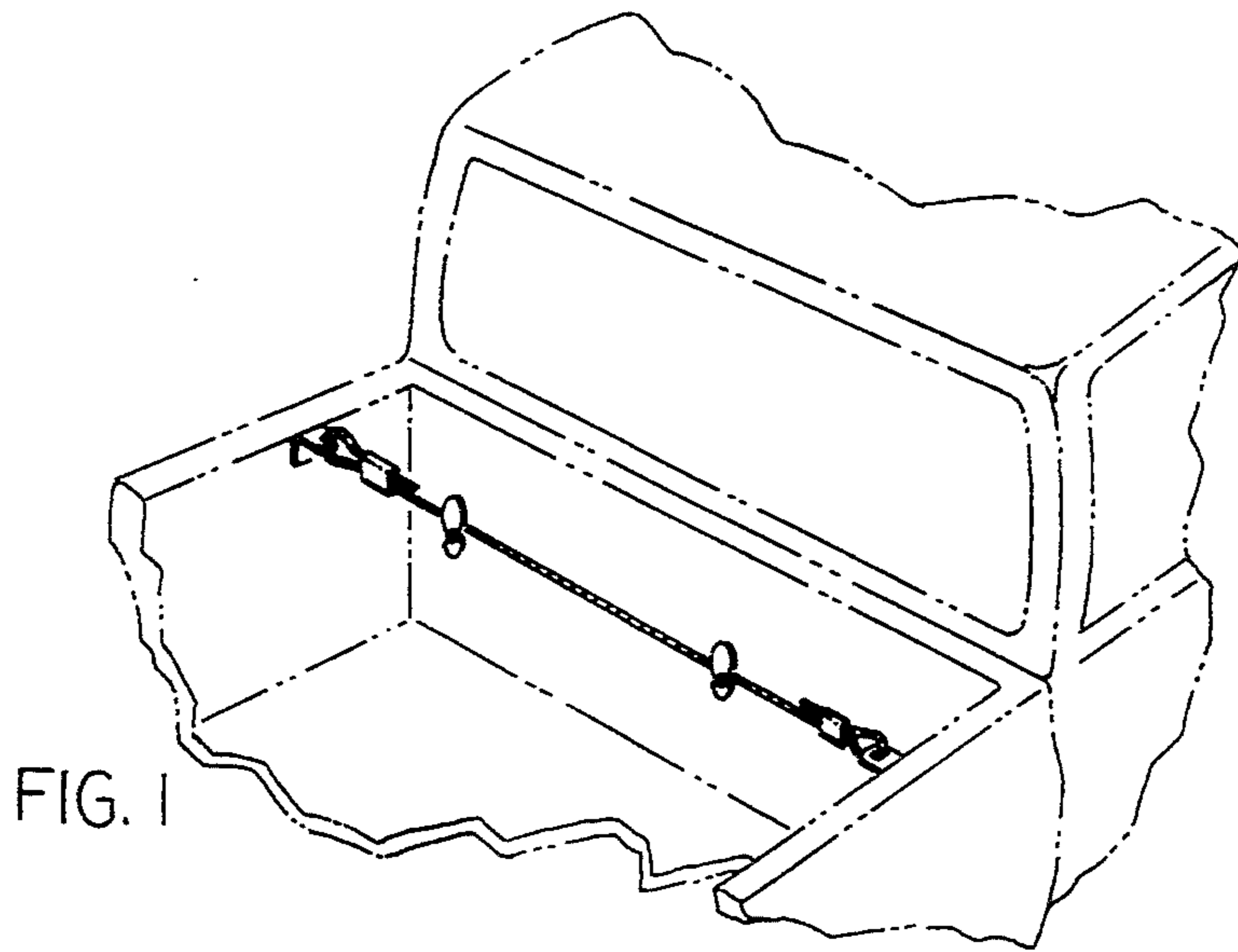


FIG. 4

FIG. 5