



US00D360710S

United States Patent [19]

[11] Patent Number: **Des. 360,710**

Colwell

[45] Date of Patent: **** Jul. 25, 1995**

[54] **COMBINED HUMMINGBIRD WINDOW FEEDER AND MOUNTING BRACKET**

[75] Inventor: **Betsy P. Colwell, Foster, R.I.**

[73] Assignee: **Droll Yankees, Inc., Foster, R.I.**

[**] Term: **14 Years**

[21] Appl. No.: **24,977**

[22] Filed: **Jun. 24, 1994**

[52] U.S. Cl. **D30/124; D30/124**

[58] Field of Search **D30/110-111, D30/124-128; 119/23, 57.8-57.9, 52.2-52.3, 51.04, 51.01, 77, 57.91**

[56] **References Cited**

U.S. PATENT DOCUMENTS

D. 194,846	3/1963	Parry	D30/125
D. 239,182	3/1976	Kilham	D30/125
D. 252,288	7/1979	Kilham	D30/125
D. 352,574	11/1994	Brown	D30/121
5,303,674	4/1994	Hyde, Jr.	119/77

OTHER PUBLICATIONS

Signals Catalog; p. 37; item #18327 Rose Glass Hummingbird Feeder.

Rubbermaid Inc. Product Sheet; 1/88; No. 3420 Hummingbird Feeder.

Signatures Catalog Sheets; Hummingbird Feeder.

Primary Examiner—Cathy Anne MacCormac

Attorney, Agent, or Firm—Salter & Michaelson

[57] **CLAIM**

The ornamental design for a combined hummingbird window feeder and mounting bracket, as shown and described.

DESCRIPTION

FIG. 1 is an exploded perspective view of a combined hummingbird window feeder and mounting bracket showing my new design;

FIG. 2 is a perspective view showing the feeder and bracket in assembled form;

FIG. 3 is a top plan view of the feeder;

FIG. 4 is a bottom plan view of the feeder;

FIG. 5 is a front elevational view of the feeder;

FIG. 6 is a rear elevational view of the feeder;

FIG. 7 is a right side elevational view of the feeder;

FIG. 8 is a left side elevational view of the feeder;

FIG. 9 is a top plan view of FIG. 2;

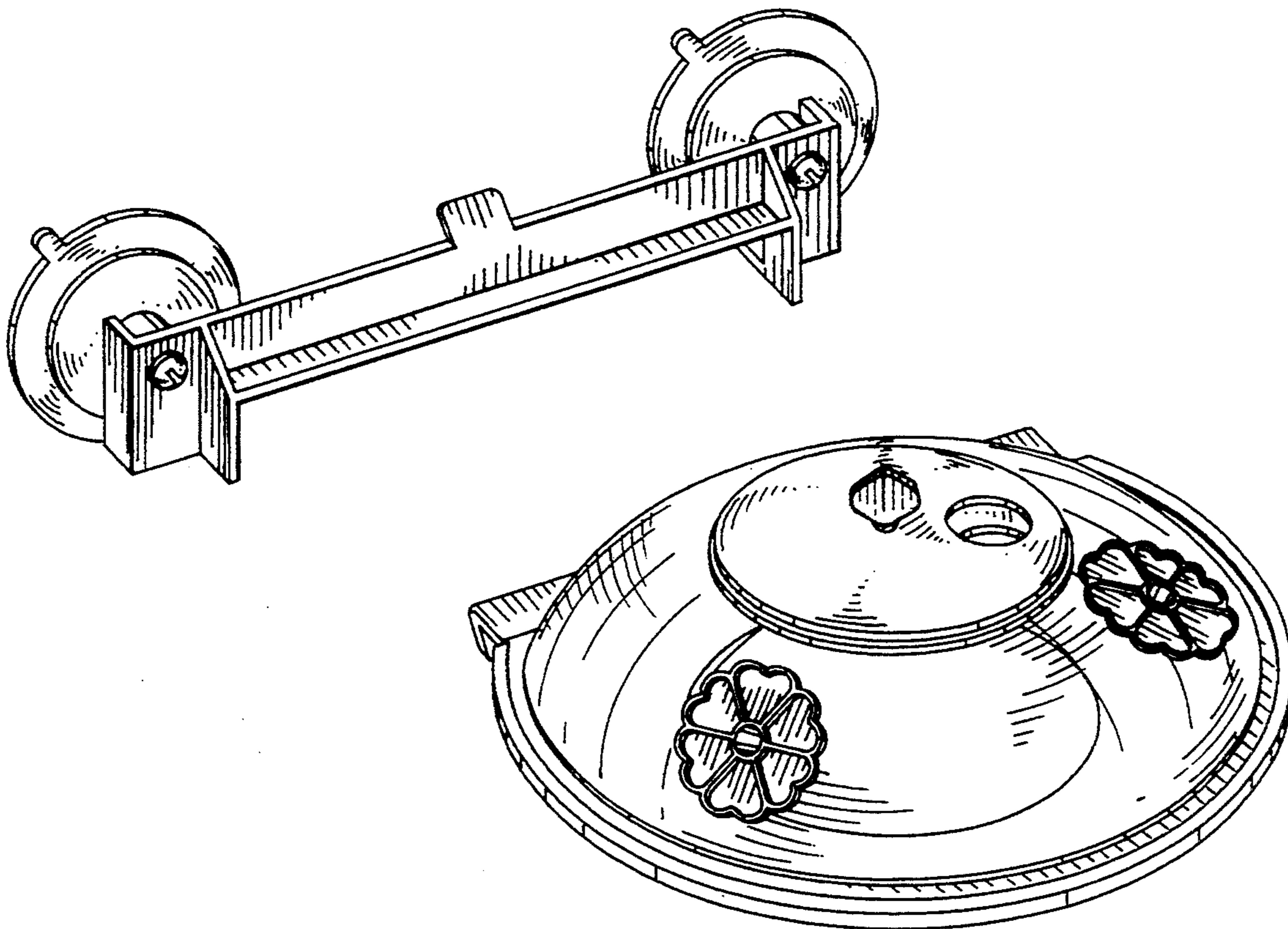
FIG. 10 is a bottom plan view of FIG. 2;

FIG. 11 is a front elevational view of FIG. 2;

FIG. 12, is a rear elevational view of FIG. 2;

FIG. 13 is a right side elevational view of FIG. 2; and,

FIG. 14 is a left side elevational view of FIG. 2.



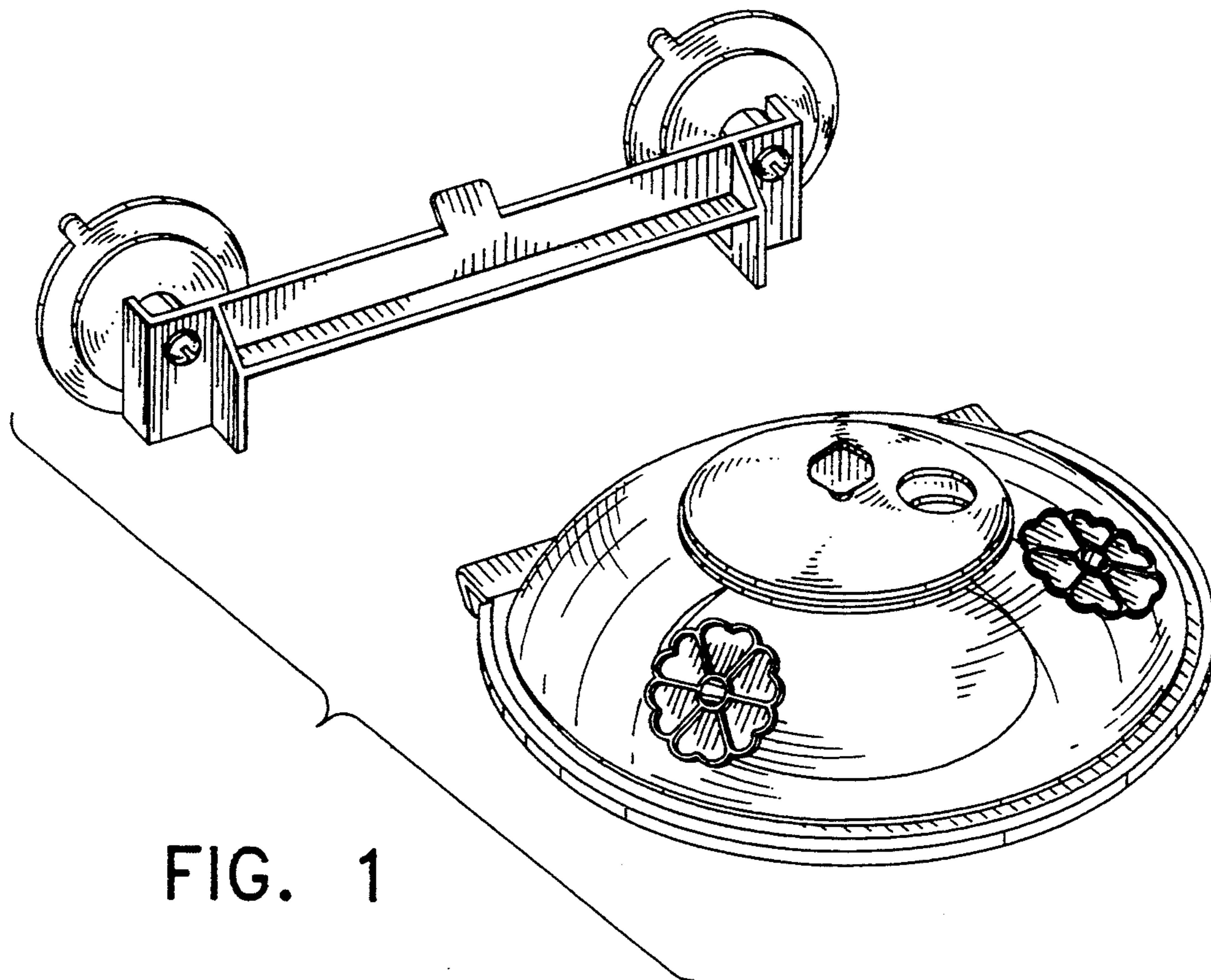


FIG. 1

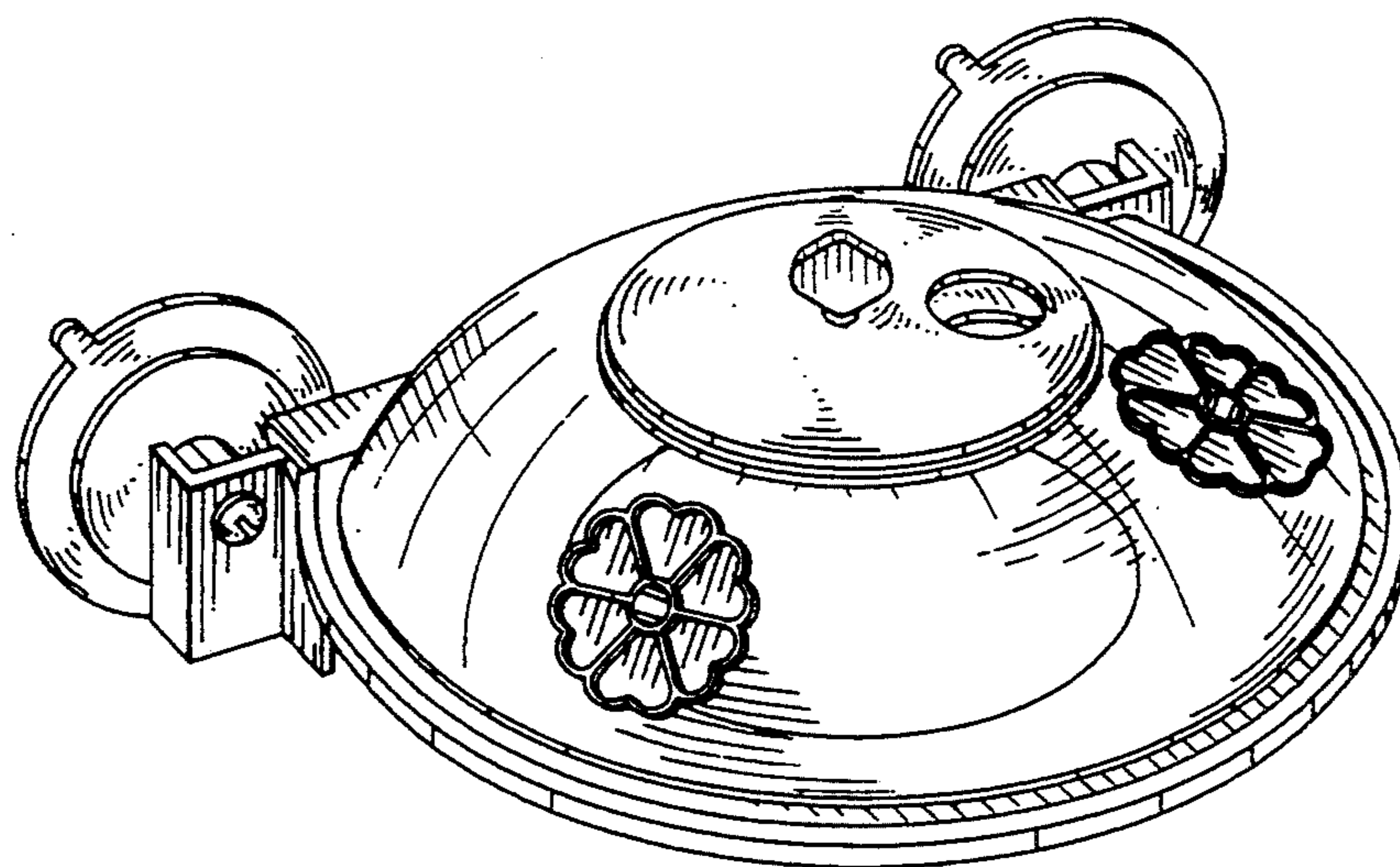


FIG. 2

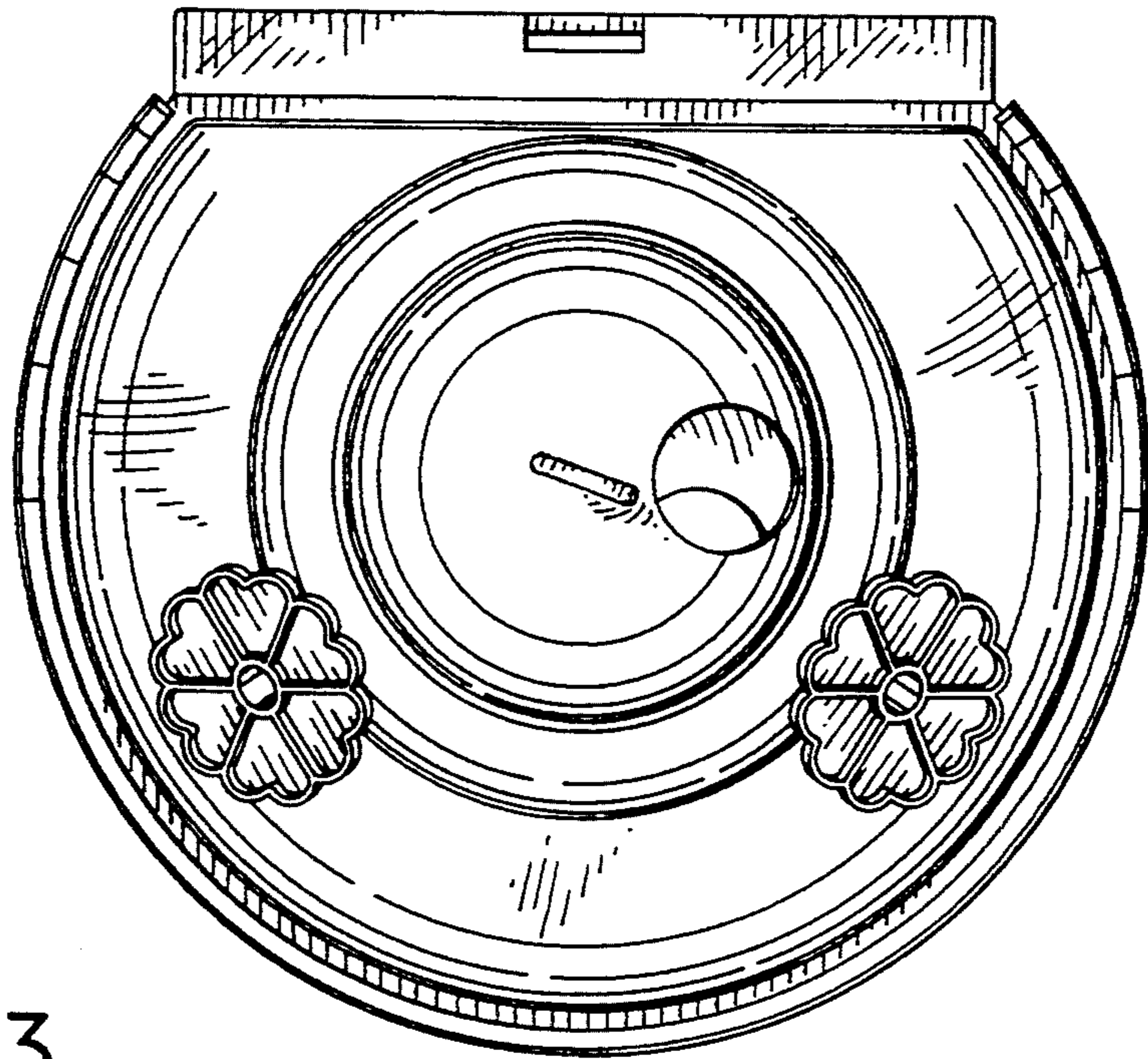


FIG. 3

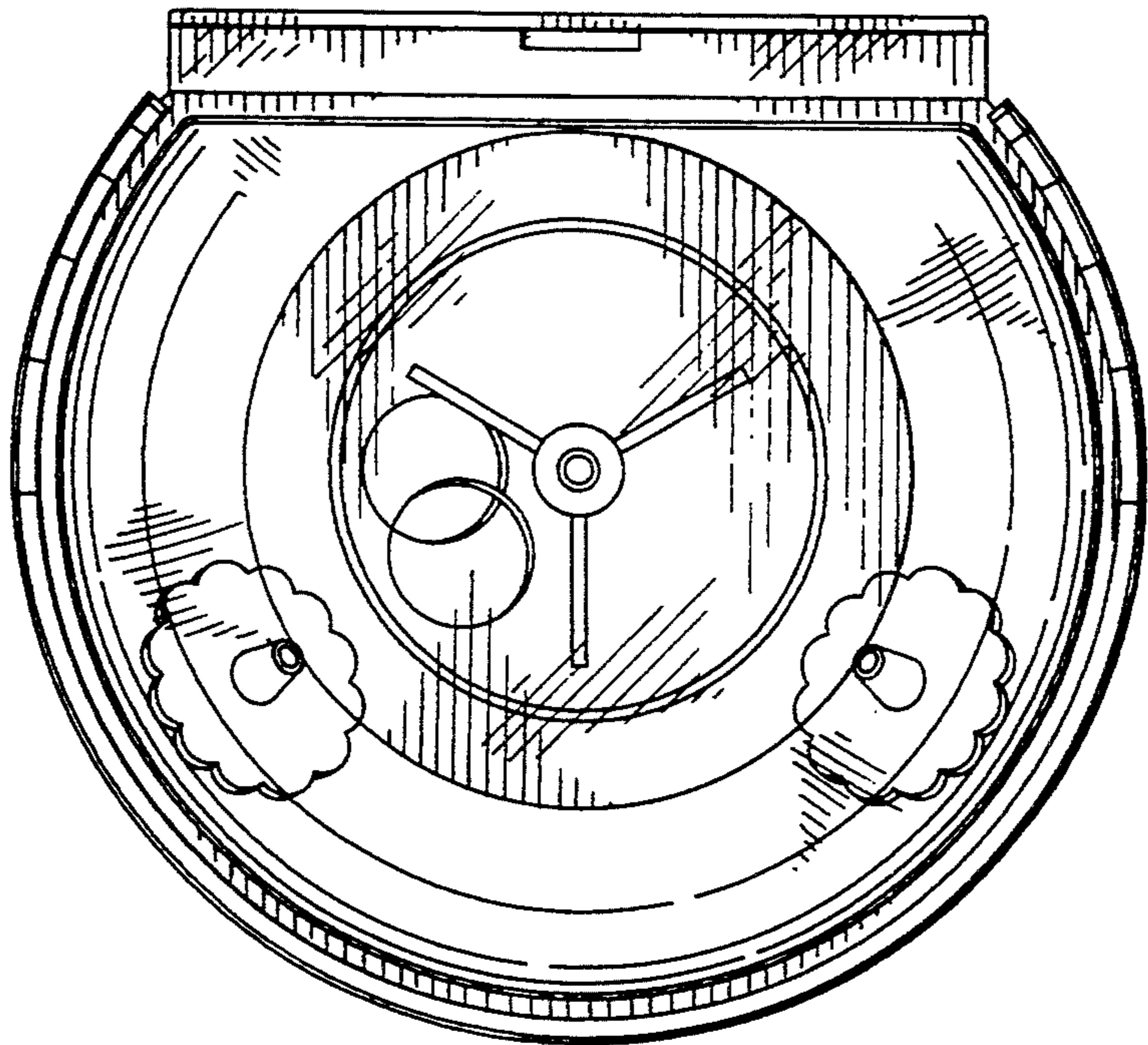


FIG. 4

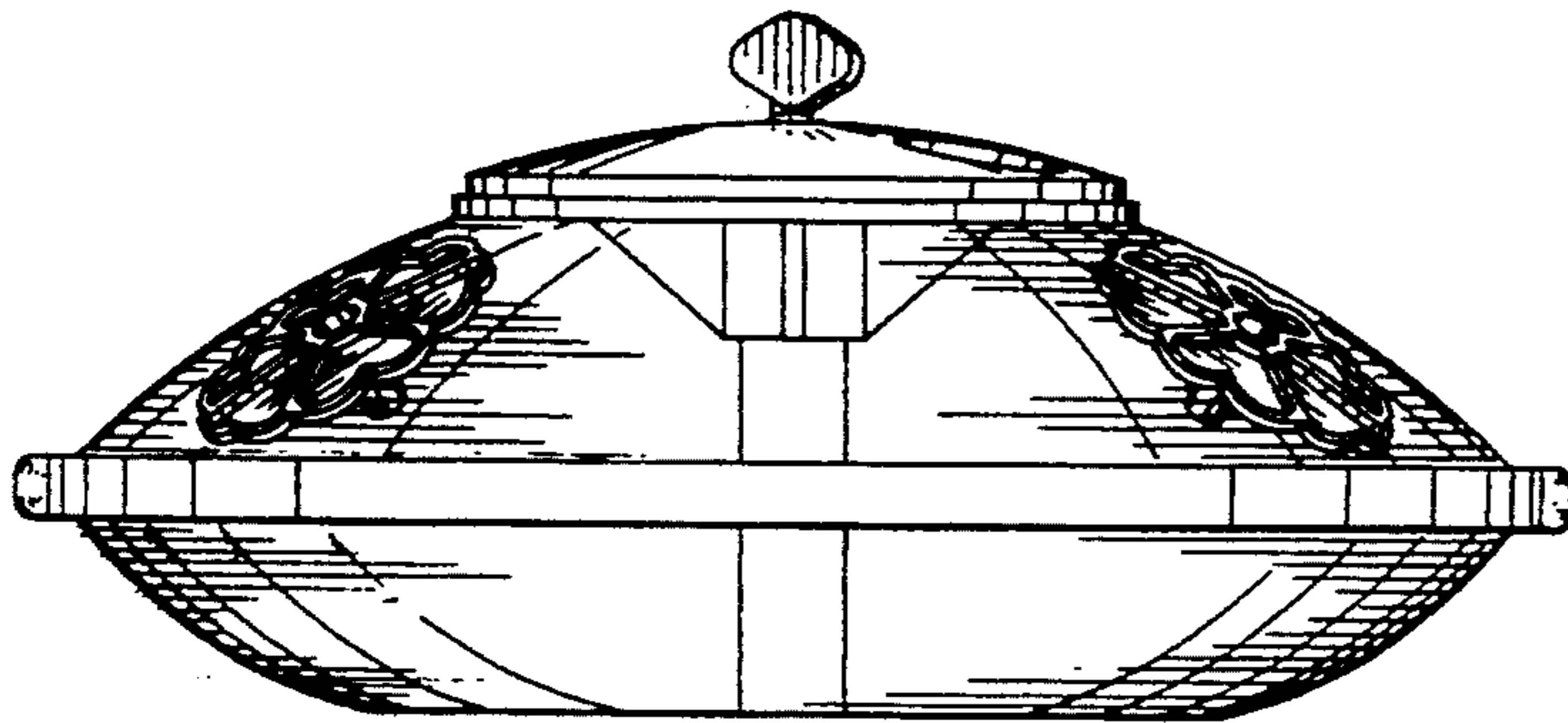


FIG. 5

FIG. 6

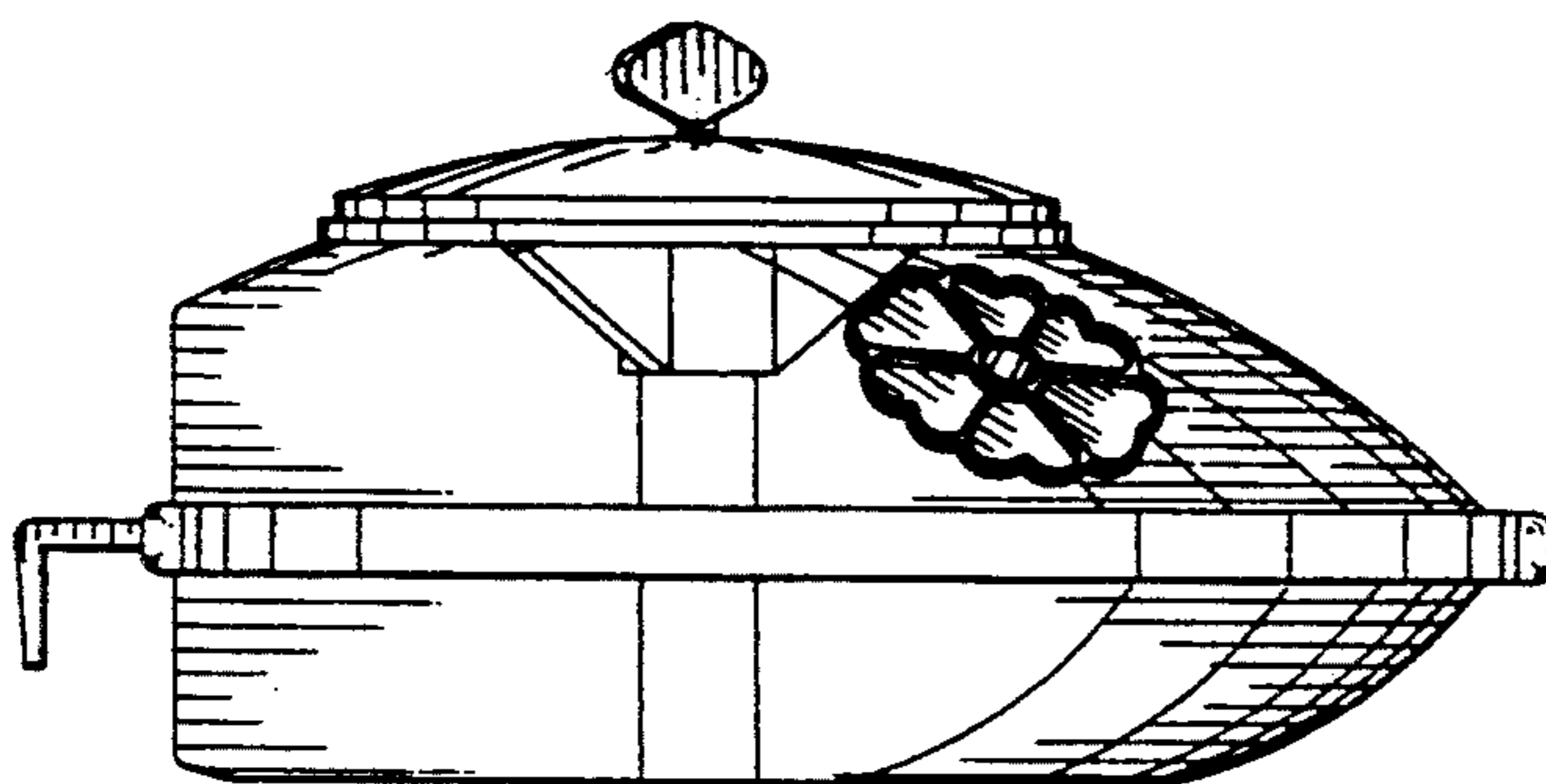
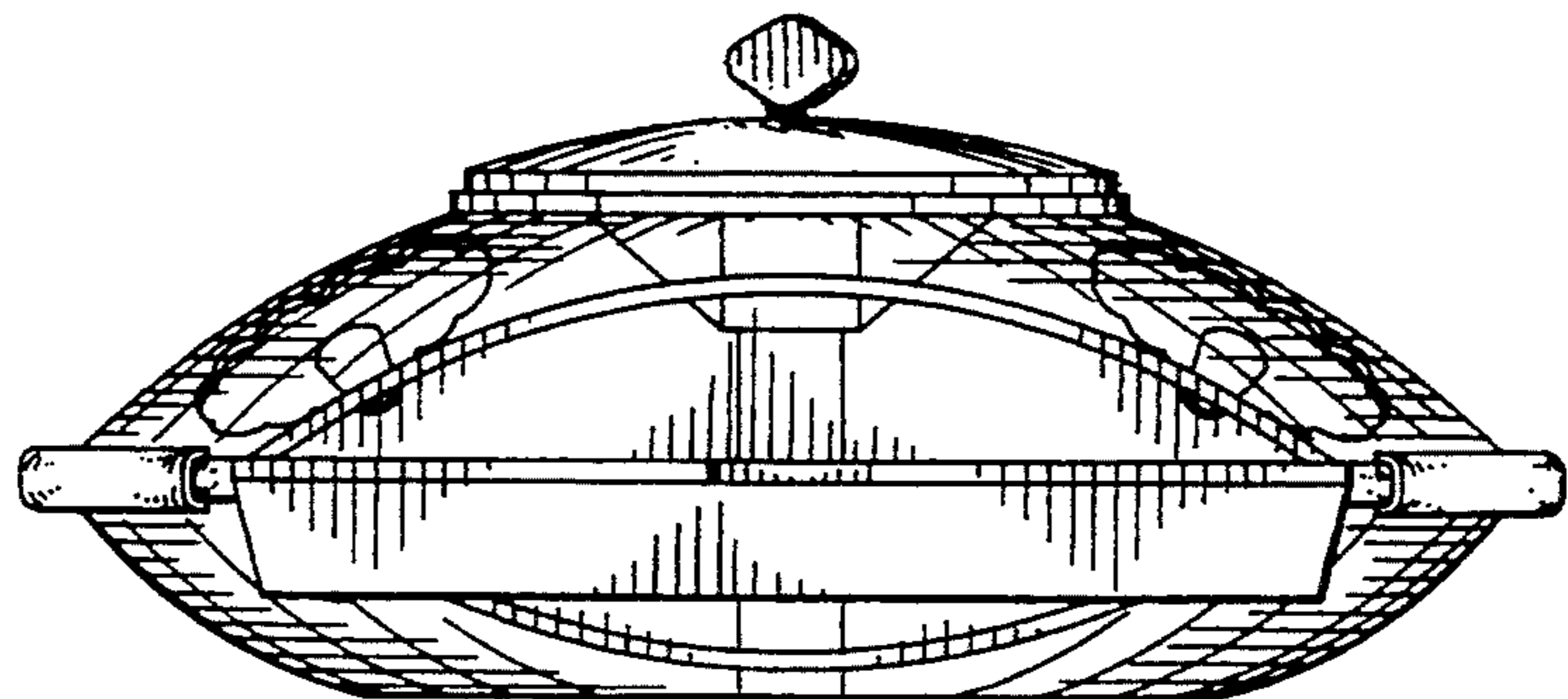
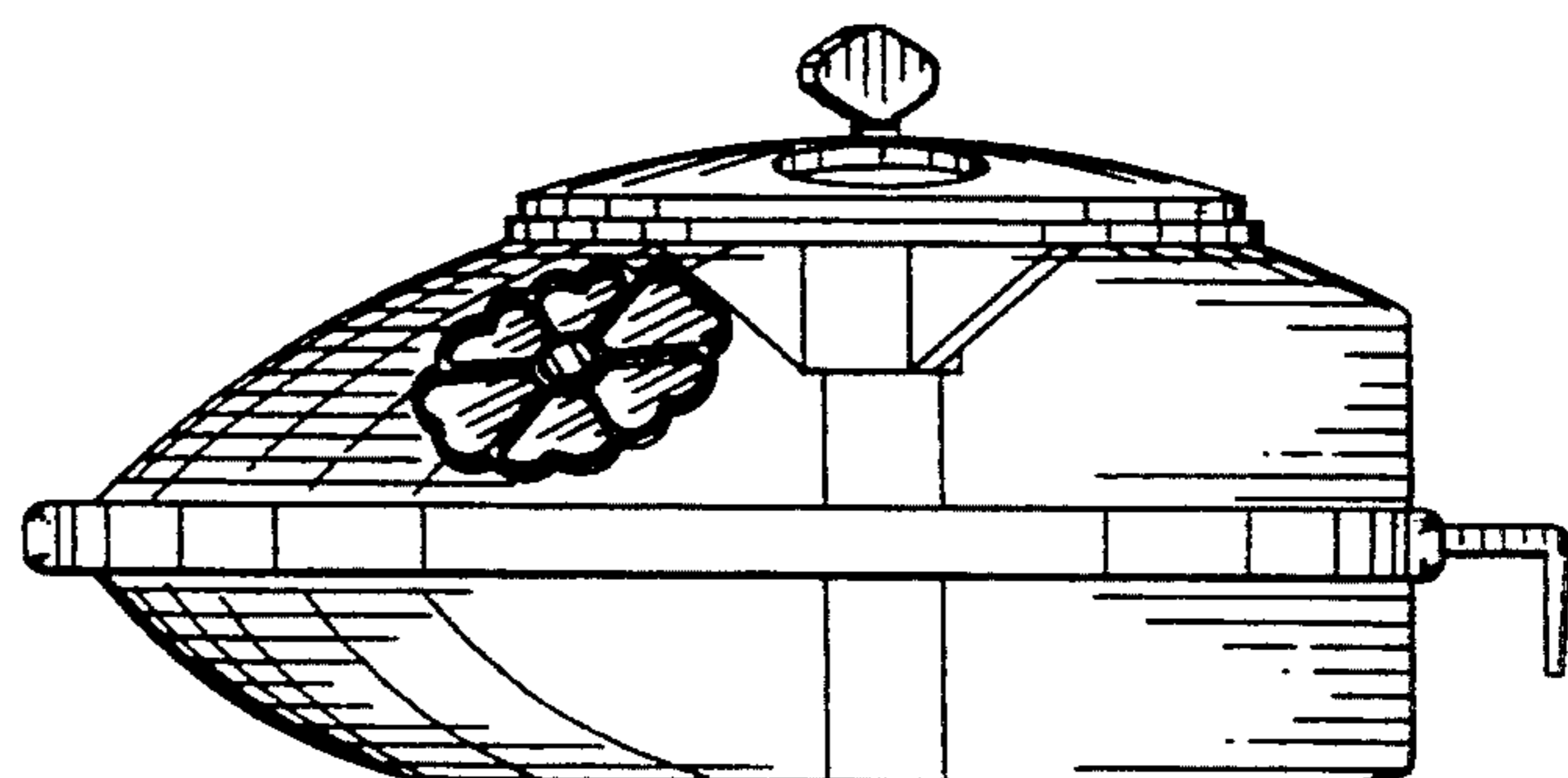


FIG. 7

FIG. 8



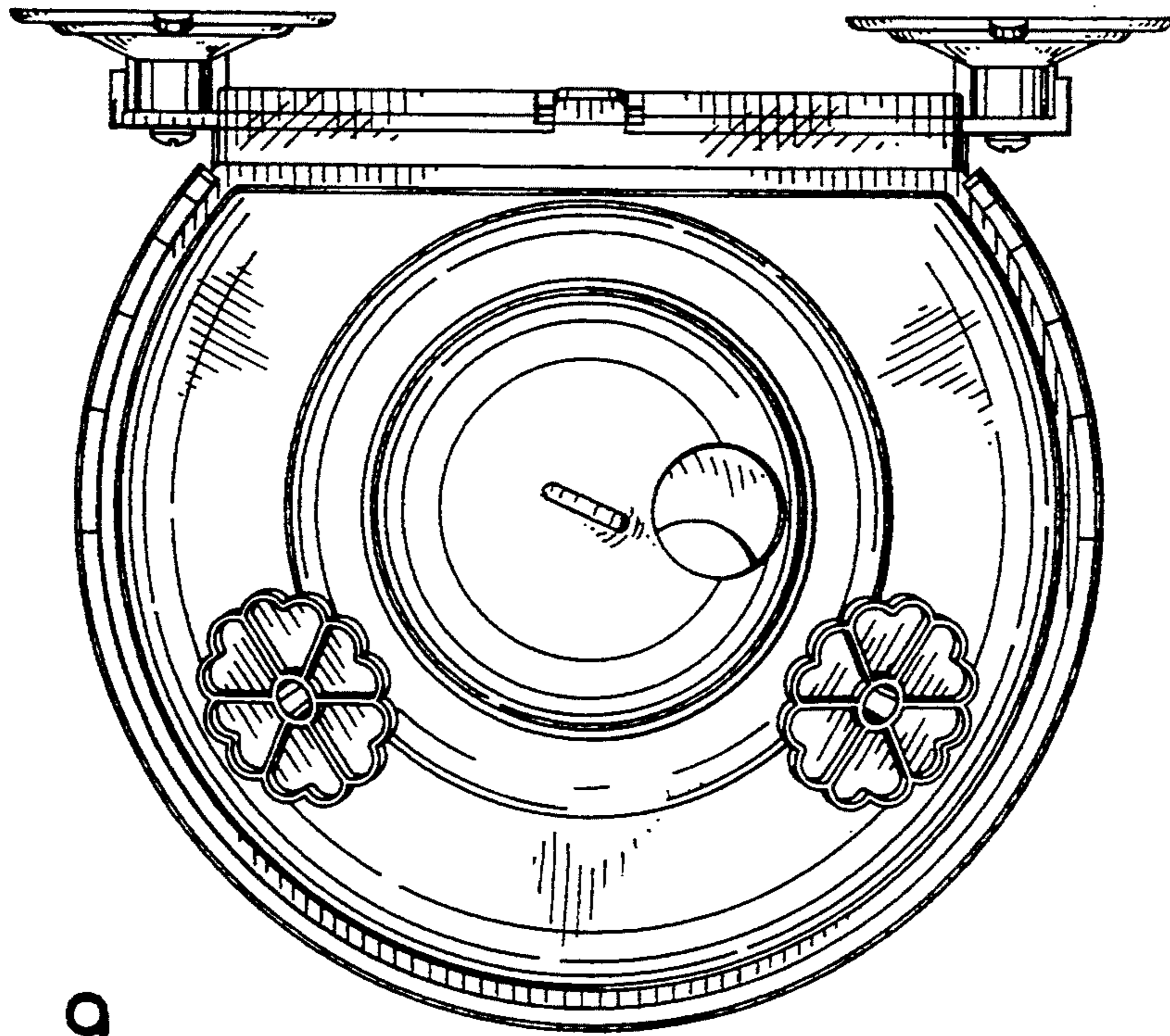


FIG. 9

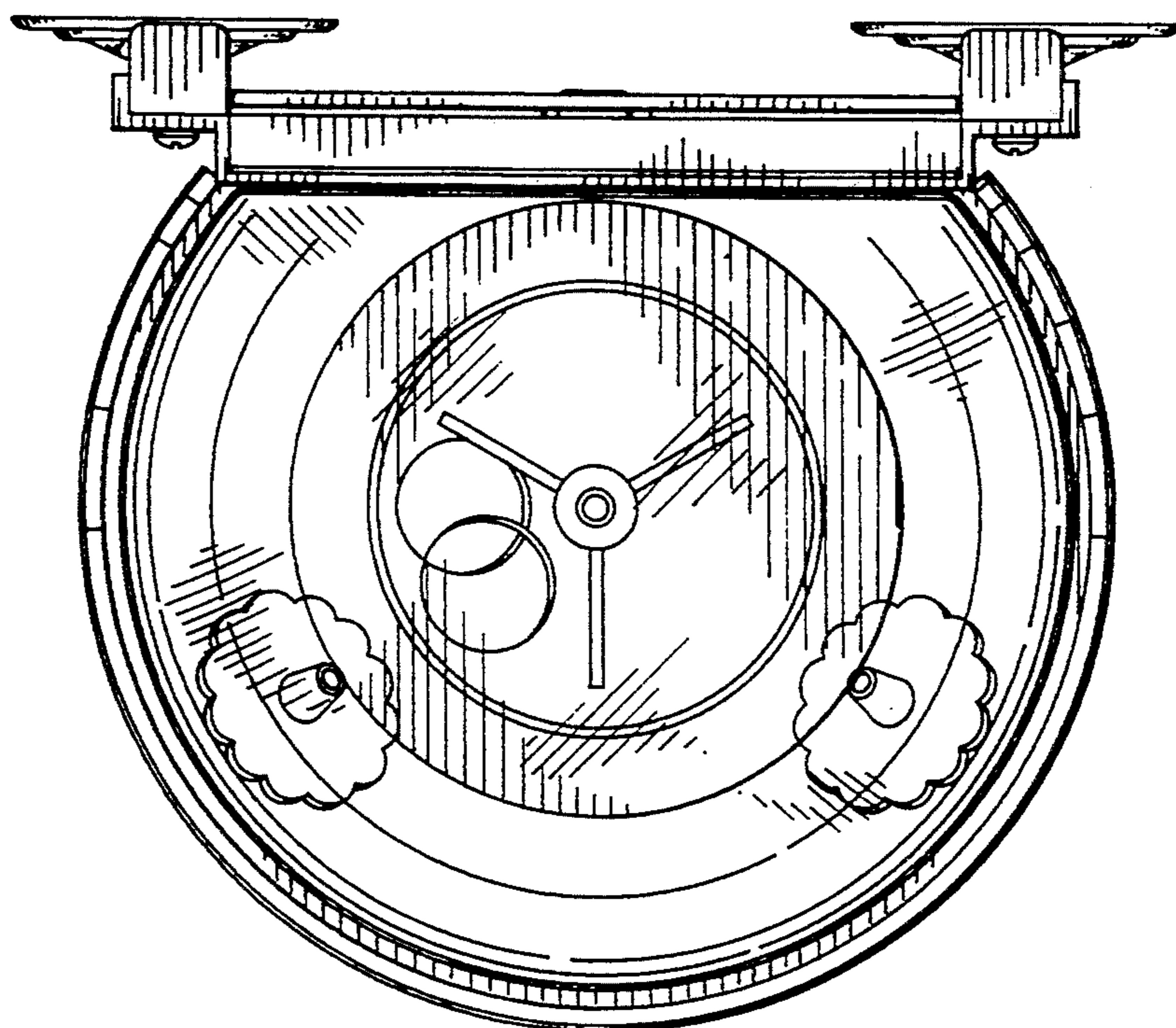


FIG. 10

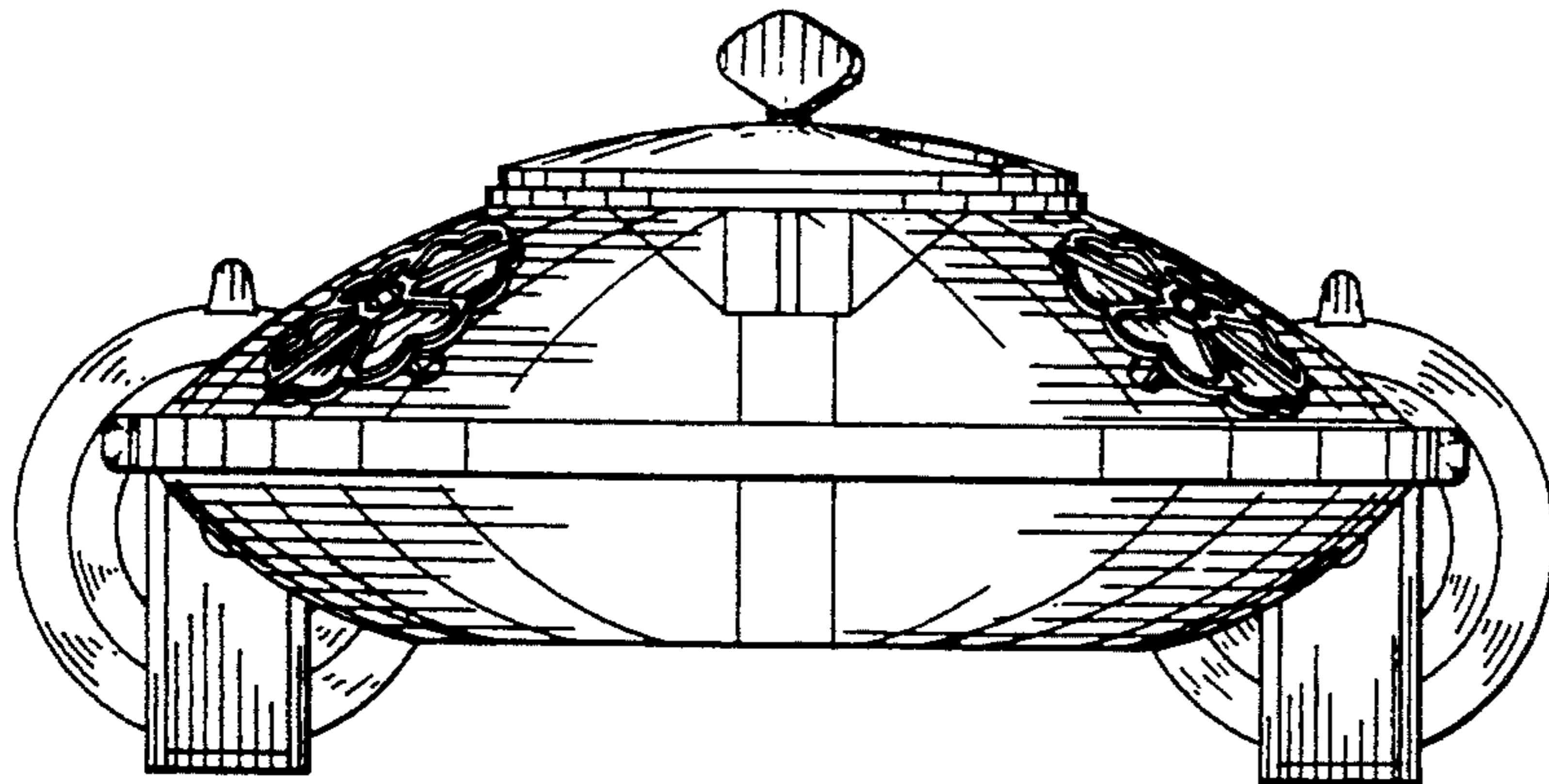


FIG. 11

FIG. 12

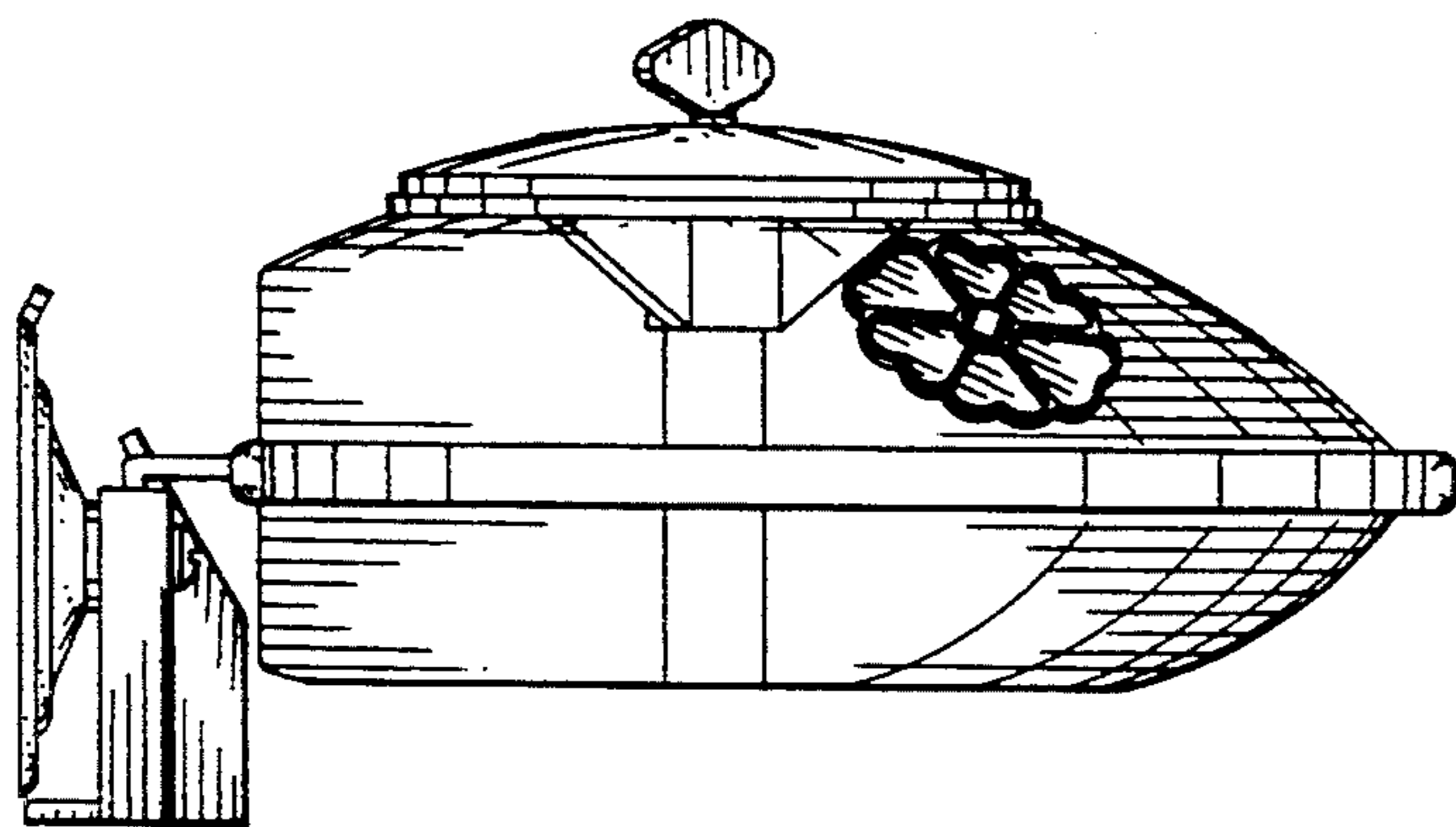
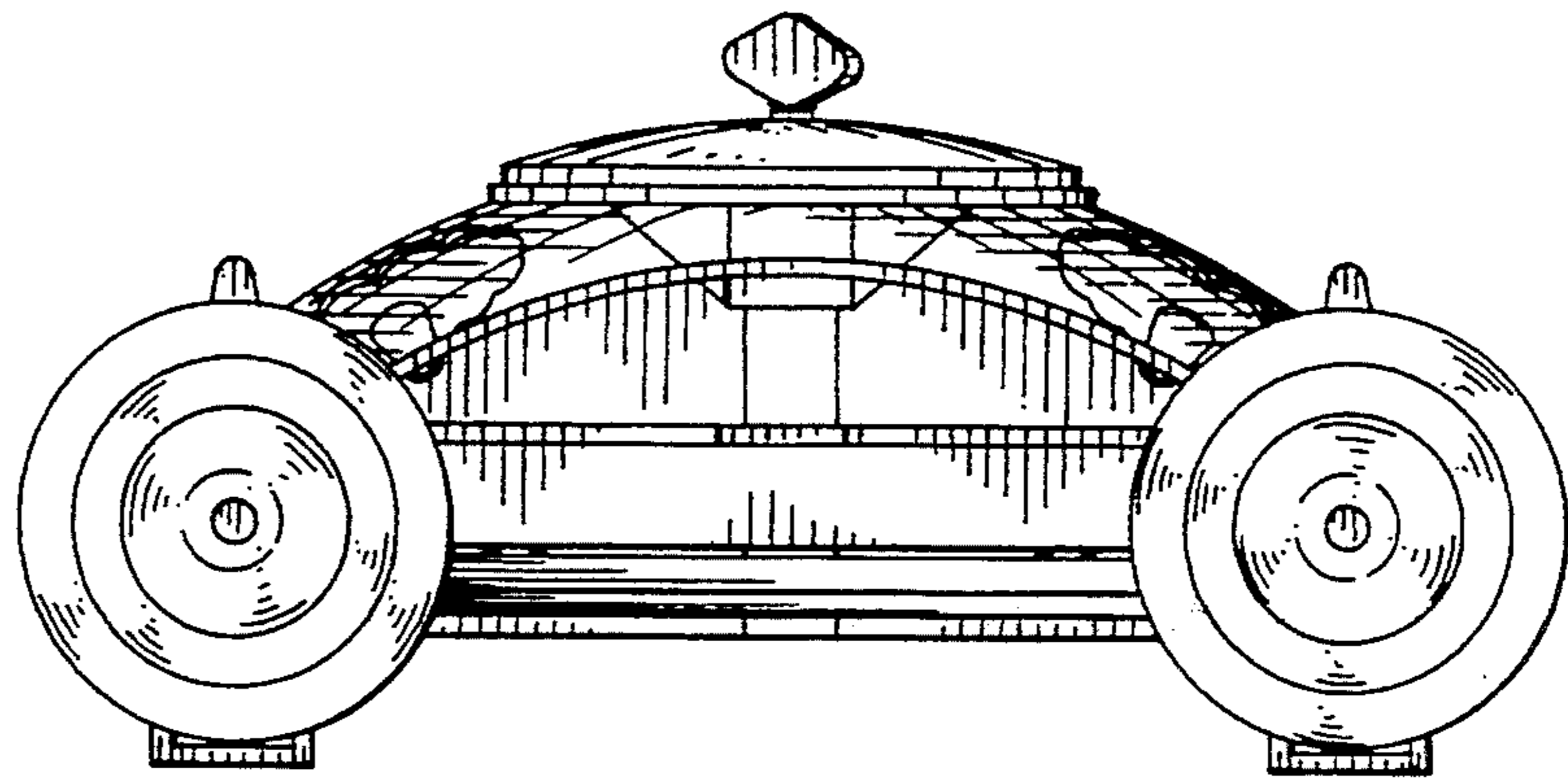


FIG. 13

FIG. 14

