



US00D360706S

United States Patent [19] Gavin

[11] Patent Number: **Des. 360,706**

[45] Date of Patent: **** Jul. 25, 1995**

- [54] **COSMETIC POWDER CONTAINER**
- [75] Inventor: **Ellen Gavin**, Atlantic Highlands, N.J.
- [73] Assignee: **Cosmair, Inc.**, New York, N.Y.
- [**] Term: **14 Years**
- [21] Appl. No.: **15,546**
- [22] Filed: **Nov. 19, 1993**
- [52] U.S. Cl. **D28/91; D9/503**
- [58] Field of Search **D28/38, 73, 76, 82, D28/91; D9/500-505, 544, 545, 548, 549, 553, 562, 566, 435, 443, 454; 206/581, 823; 132/293, 294, 298, 299, 305**

- D. 198,054 4/1964 Lowry D9/504
- D. 288,648 3/1987 Monaghan D9/503 X
- D. 293,494 12/1987 Kemmerer D28/90 X
- D. 349,176 2/1994 Litton D28/26

Primary Examiner—Theodore M. Shooman
Assistant Examiner—C. Tuttle
Attorney, Agent, or Firm—Brumbaugh, Graves, Donohue & Raymond

[57] **CLAIM**

The ornamental design for a cosmetic powder container, as shown and described.

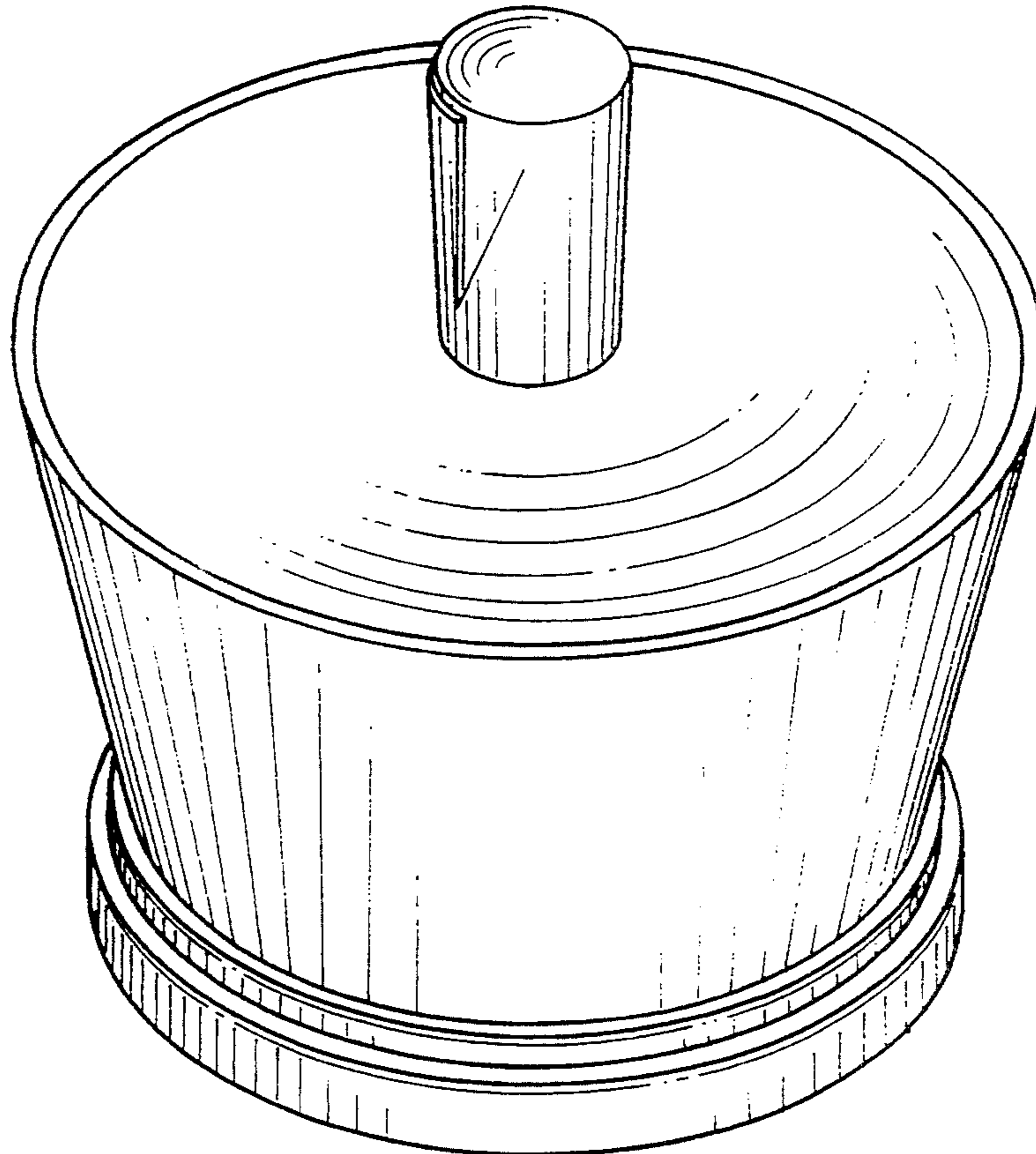
DESCRIPTION

FIG. 1 is a front view of the cosmetic powder container of the present invention;
 FIG. 2 is a top plan view of the cosmetic powder container of the present invention;
 FIG. 3 is a rear view of the cosmetic powder container of the present invention;
 FIG. 4 is a bottom plan view of the cosmetic powder container of the present invention; and,
 FIG. 5 is an isometric view seen from the top, front and one side of the container of the present invention.

[56] **References Cited**

U.S. PATENT DOCUMENTS

- D. 57,444 3/1921 Reed D9/504
- D. 65,367 8/1924 Dalzell D28/77
- D. 77,110 12/1928 McEldowney D28/91
- D. 128,850 8/1941 Petzold D28/88
- D. 153,999 5/1946 Ulvad D28/91
- D. 156,468 12/1949 Ulvad D28/91 X



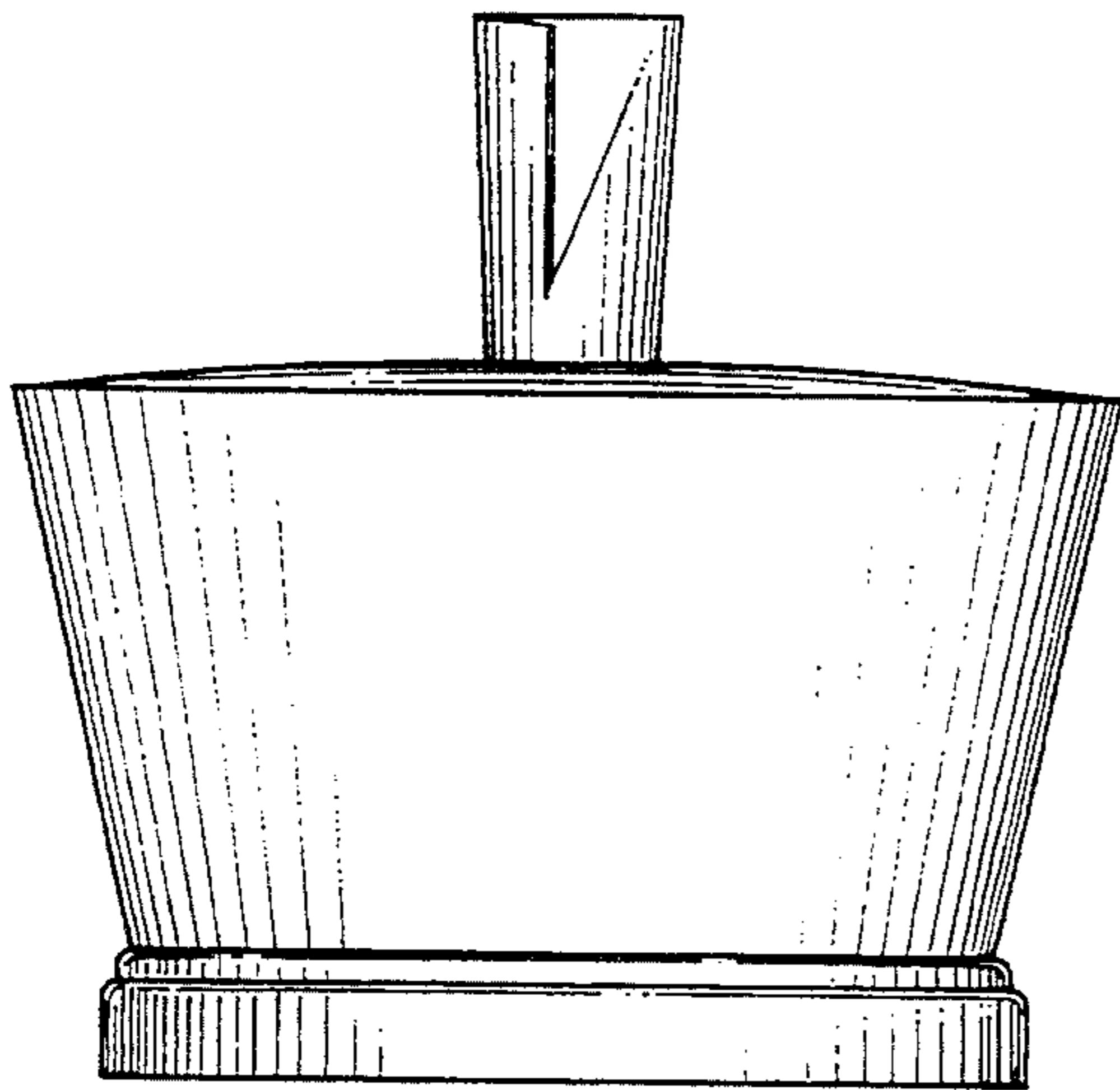


FIG. 1

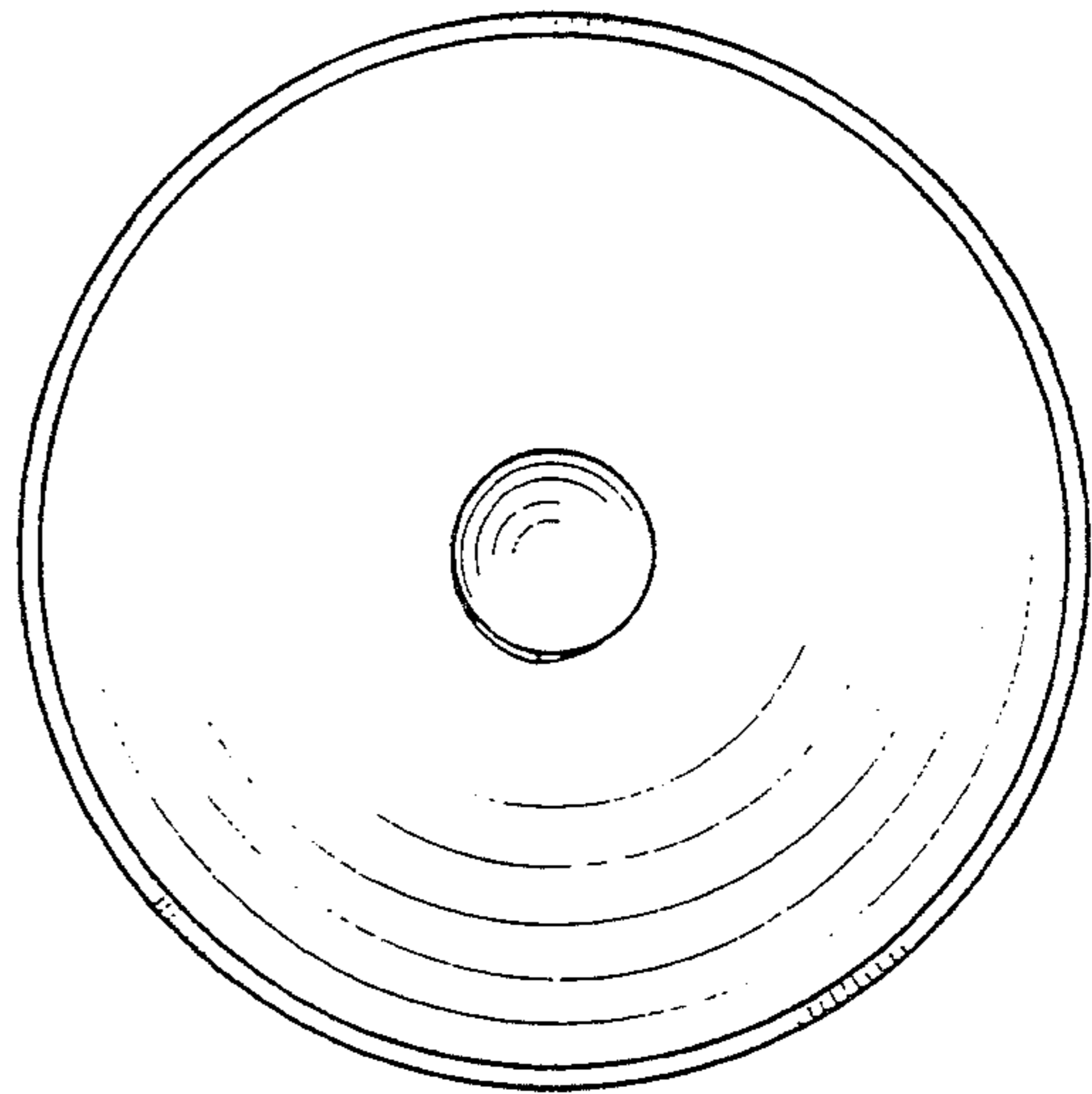


FIG. 2

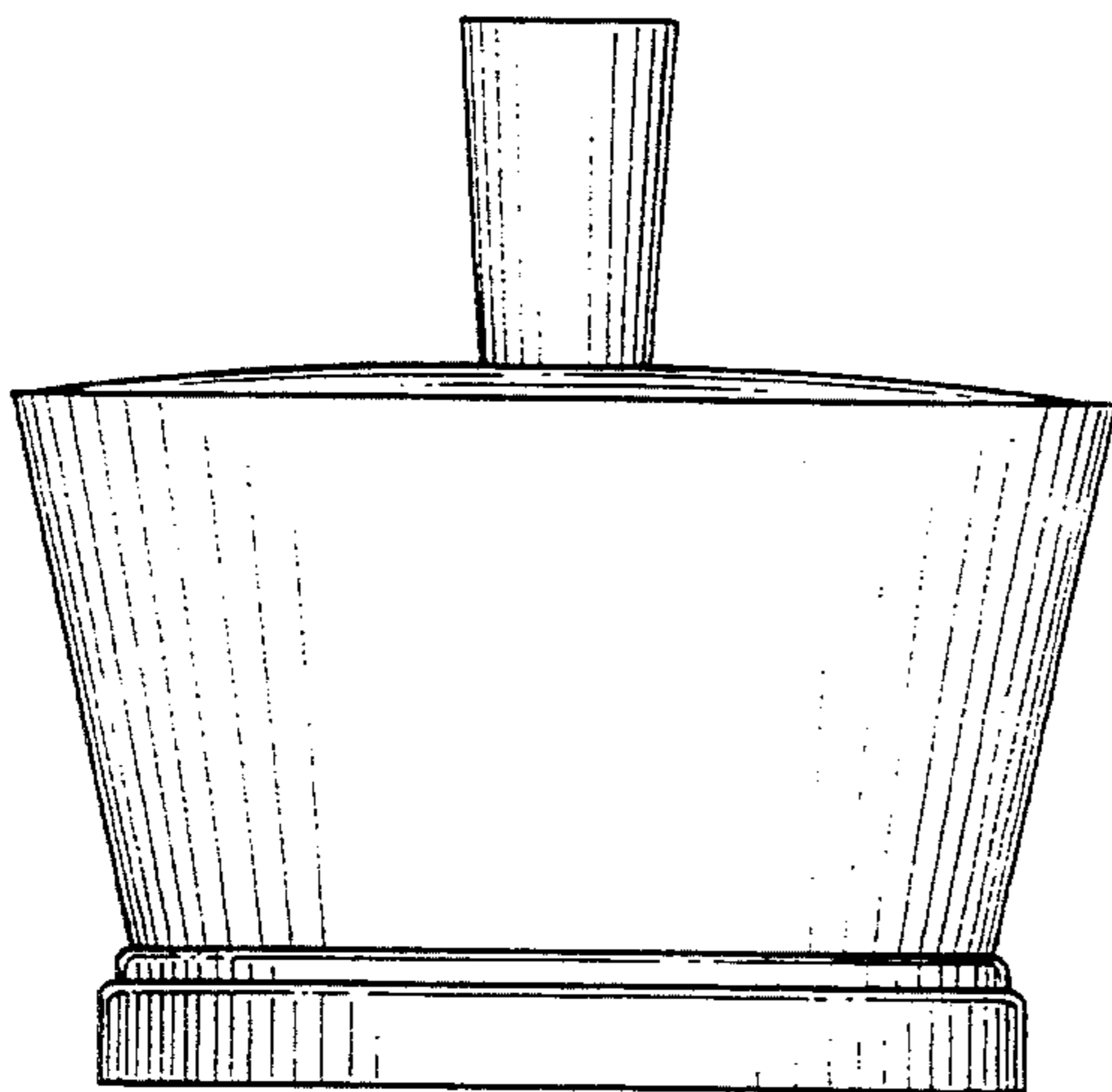


FIG. 3

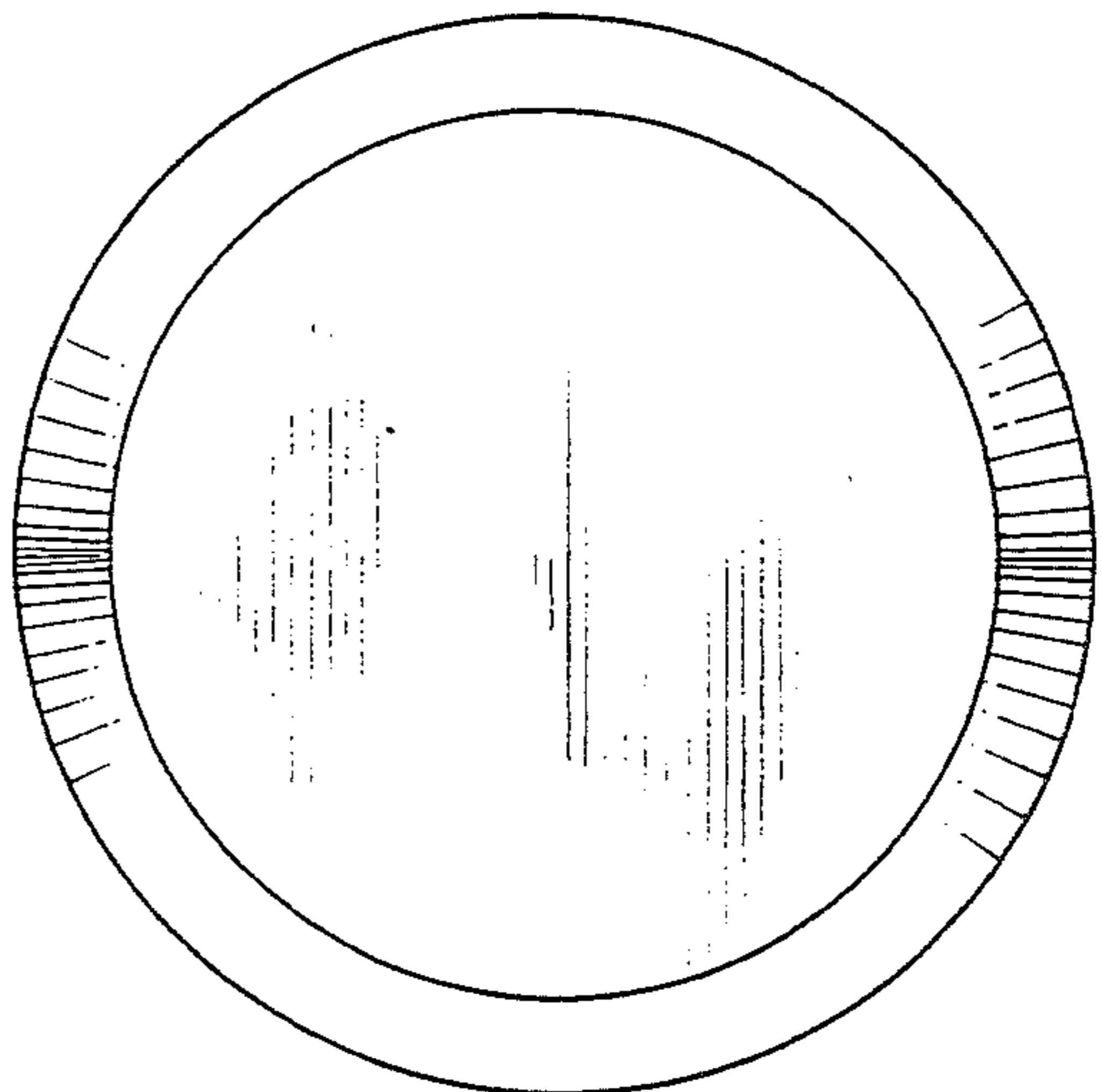


FIG. 4

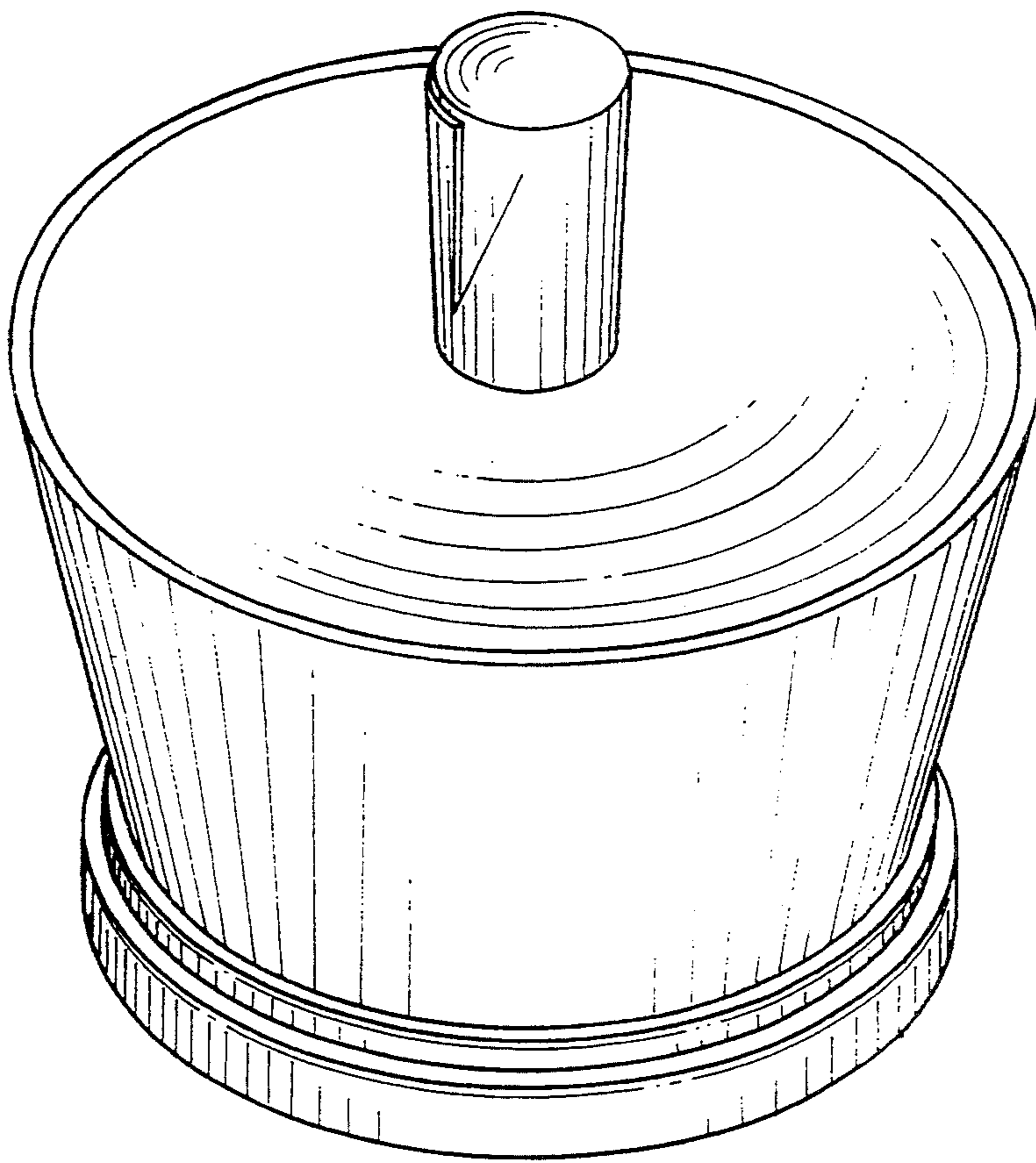


FIG. 5