



US00D360703S

# United States Patent [19]

[11] Patent Number: **Des. 360,703**

Sandell

[45] Date of Patent: **\*\* Jul. 25, 1995**

[54] **ADJUSTABLE QUARTZ FLOOD LIGHT**

[75] Inventor: **Donald R. Sandell**, San Jose, Calif.

[73] Assignee: **Intellectron Products Company**, Hayward, Calif.

[\*\*] Term: **14 Years**

[21] Appl. No.: **24,482**

[22] Filed: **Jun. 14, 1994**

[52] U.S. Cl. .... **D26/63**

[58] Field of Search ..... D26/60, 61, 63, 65;  
362/269, 275, 285, 418, 419, 427

[56] **References Cited**

**U.S. PATENT DOCUMENTS**

3,254,205 5/1966 Cobb ..... 362/269 X  
4,626,975 12/1986 Miletich ..... 362/418

**OTHER PUBLICATIONS**

Domus, Feb. 1986, p. ADS-18, Floodlight.  
Form, Jan. 1979, p. 55, Spotlight.  
"Regent Motion Activated," Quartz floodlight section,

Product promotional literature, Regent Lighting Corporation.

"American Electric Will Light Your Way to Big Profits," Floodlight section, Promotional product literature, American Electric, 1985.

"First Alert Home and Office Lighting Controls, Motion Sensors," Product promotional literature, First Alert ©1993.

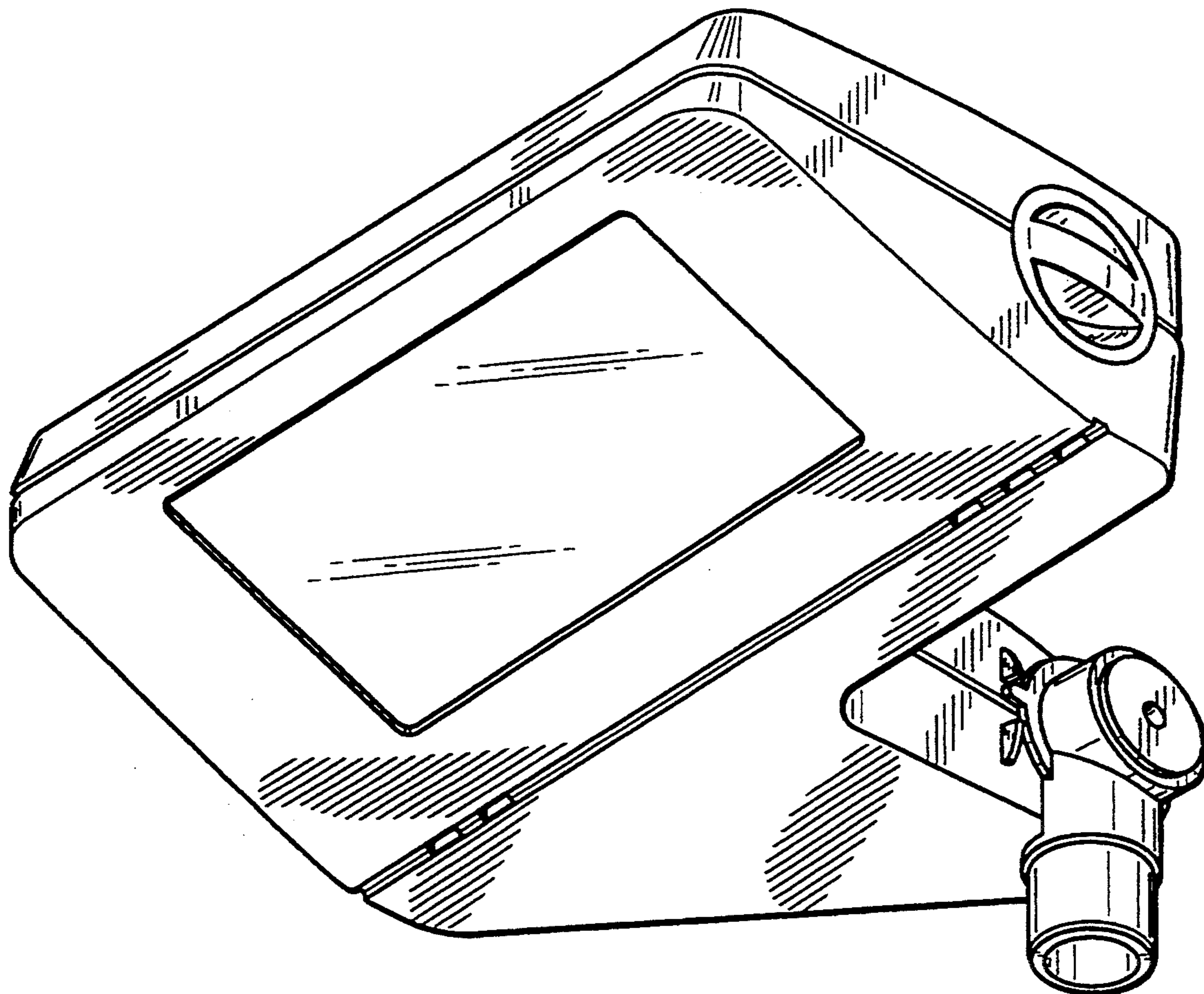
*Primary Examiner*—Susan J. Lucas  
*Attorney, Agent, or Firm*—Elliot B. Aronson

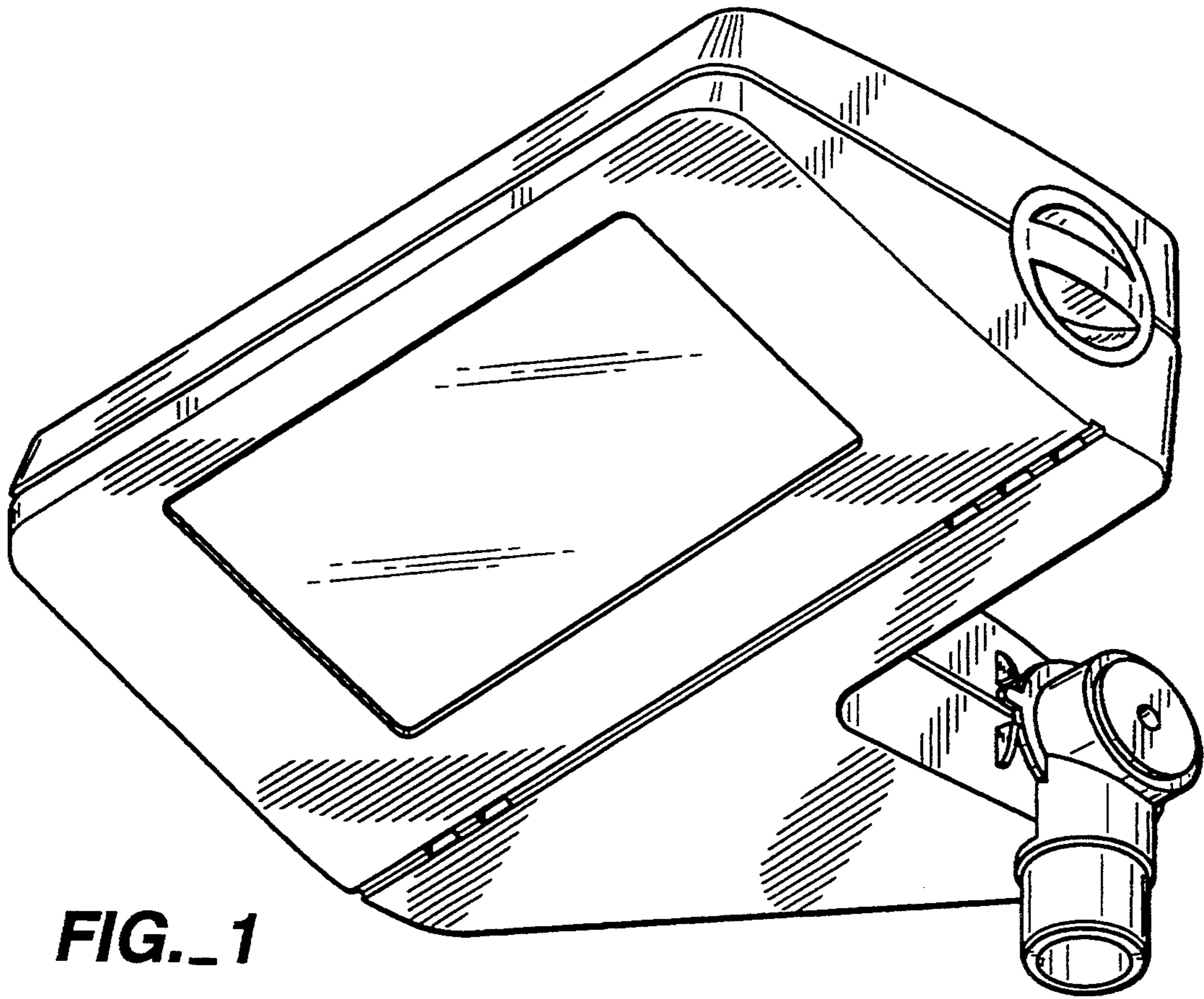
[57] **CLAIM**

The ornamental design for a adjustable quartz floodlight, as shown.

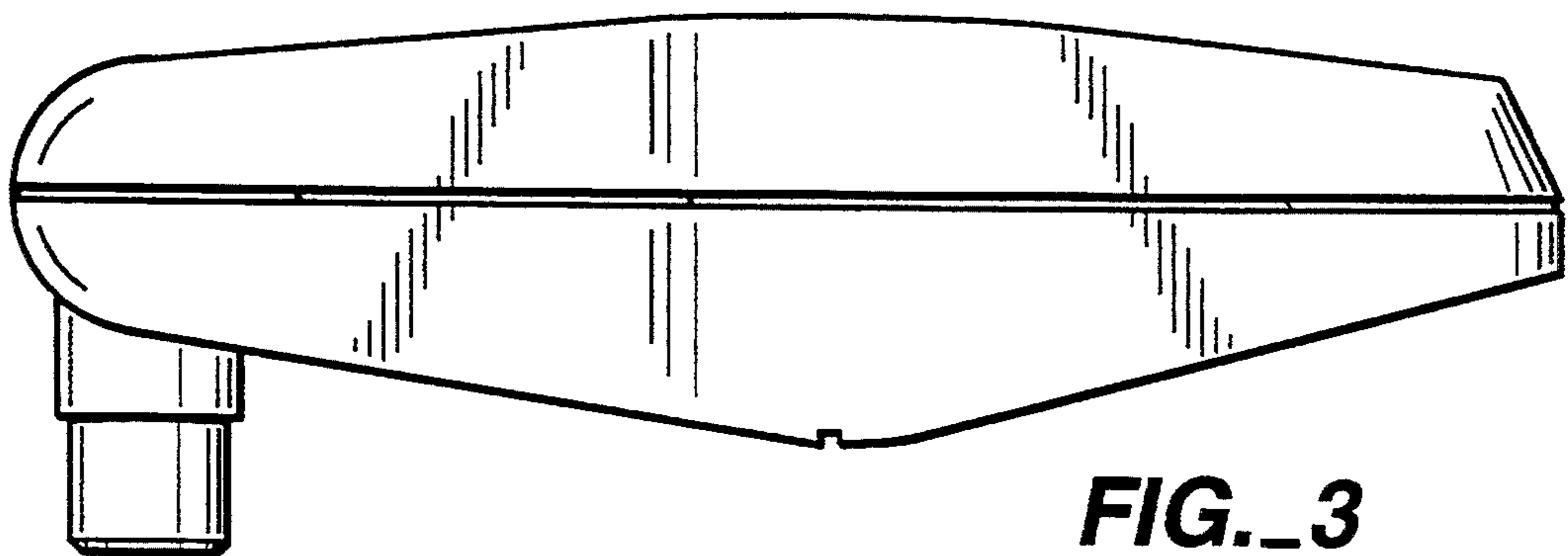
**DESCRIPTION**

FIG. 1 is a bottom perspective view of a adjustable quartz floodlight showing my new design; FIG. 2 is a front elevational view thereof; FIG. 3 is a left elevational view thereof; FIG. 4 is a rear elevational view thereof; FIG. 5 is a right elevational view thereof; FIG. 6 is a top plan view thereof; and, FIG. 7 is a bottom plan view thereof.

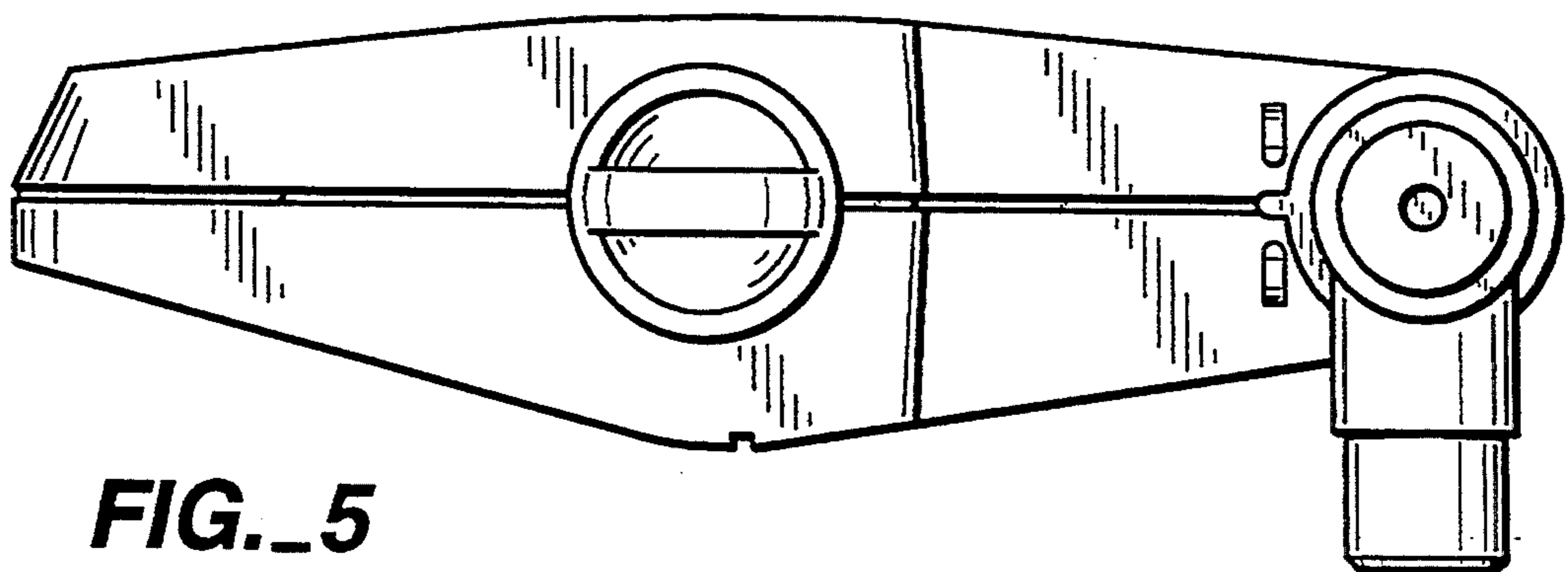




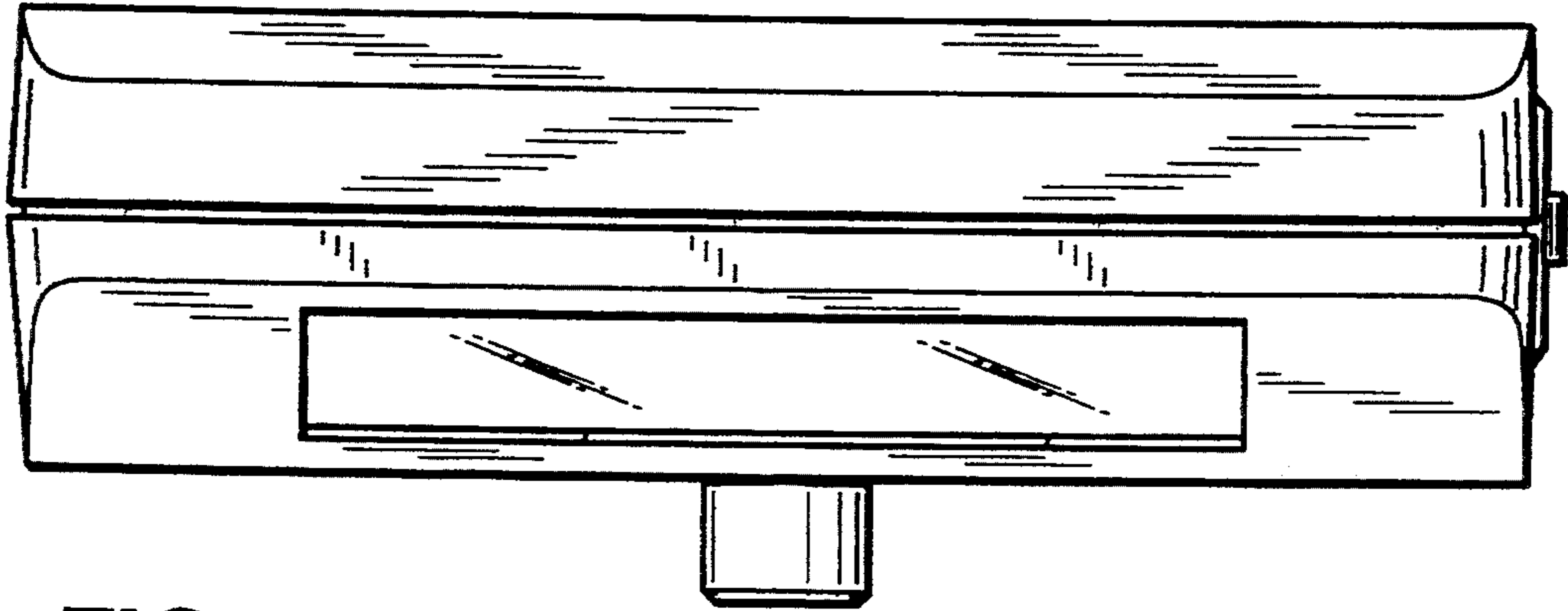
**FIG.\_1**



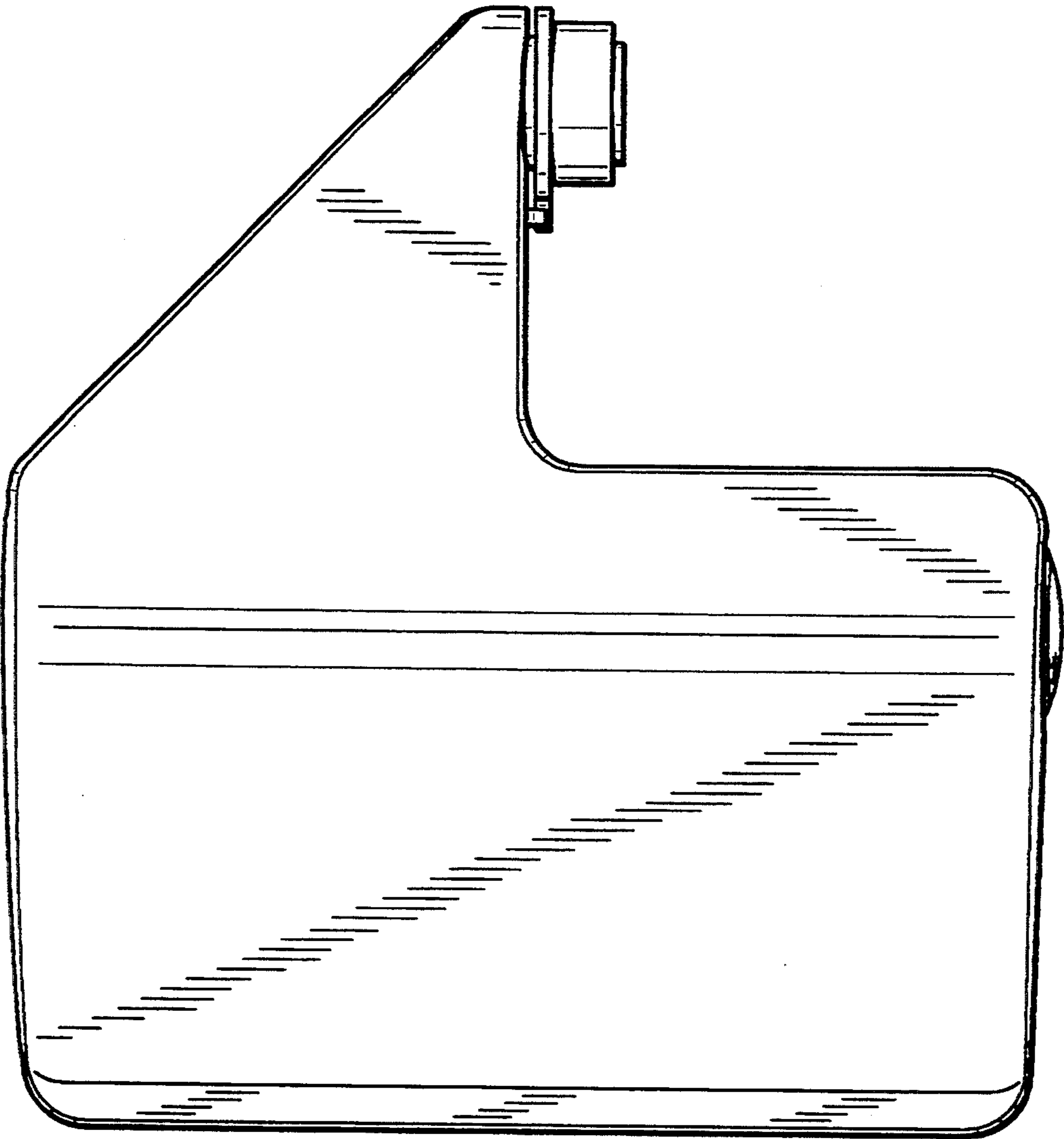
**FIG.\_3**



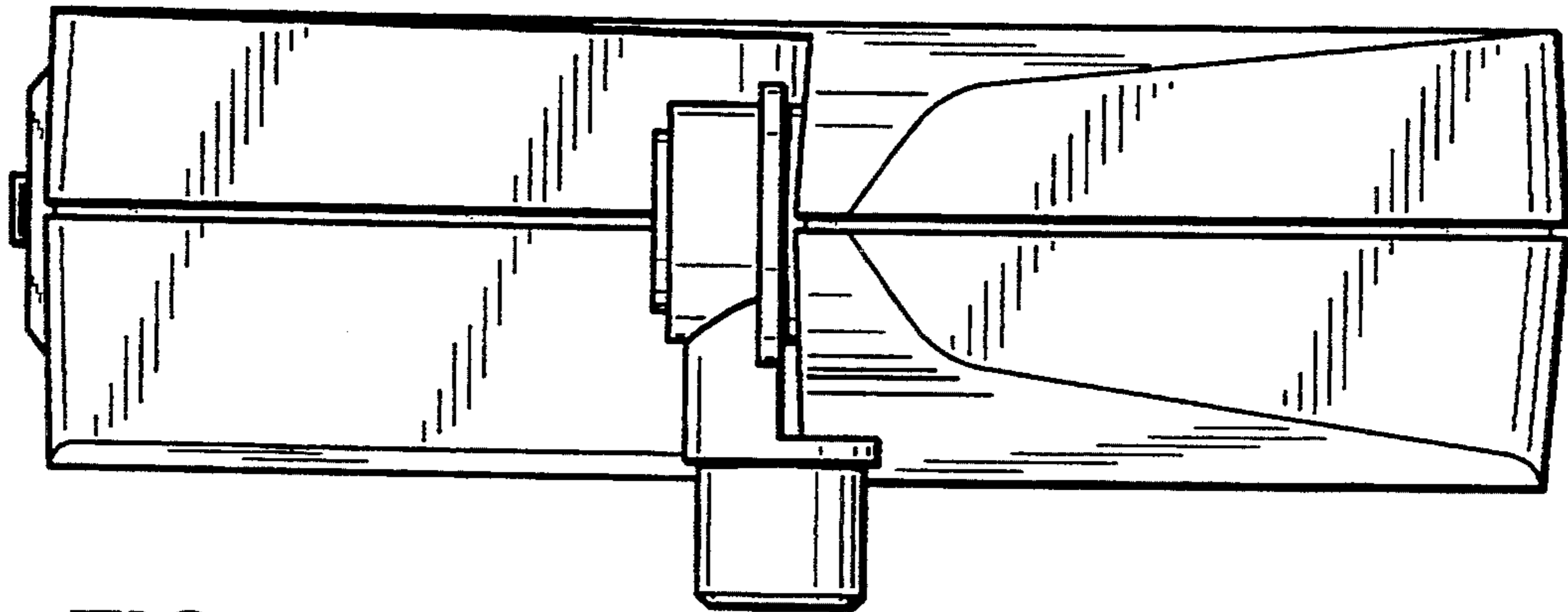
**FIG.\_5**



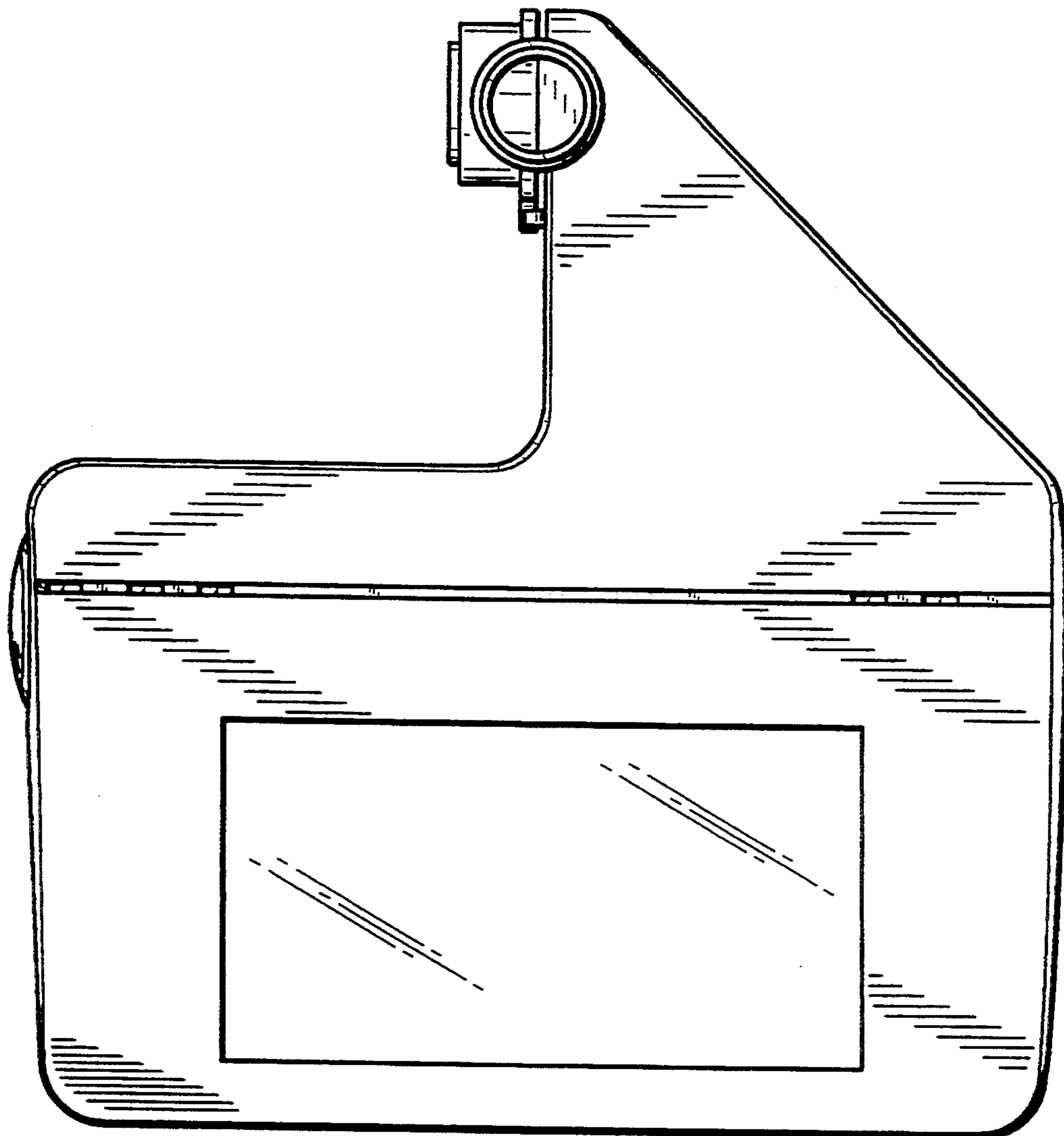
**FIG. 2**



**FIG. 6**



**FIG. 4**



**FIG. 7**