



US00D360697S

United States Patent [19]

[11] Patent Number: **Des. 360,697**

Riihimaki et al.

[45] Date of Patent: **** Jul. 25, 1995**

[54] STERILIZATION CASSETTE

[75] Inventors: **Roy E. Riihimaki**, Libertyville;
James M. Kudla, Mt. Prospect, both
of Ill.

[73] Assignee: **Hu-Friedy Mfg. Co., Inc.**, Chicago,
Ill.

[**] Term: **14 Years**

[21] Appl. No.: **3,024**

[22] Filed: **Dec. 24, 1992**

[52] U.S. Cl. **D24/217**

[58] Field of Search **D24/217, 229, 227, 230;**
206/570, 363, 364, 365, 370, 368; 422/300, 297,
310, 292; 220/438, 337, 439, 349, 560

[56] References Cited

U.S. PATENT DOCUMENTS

D. 295,074	4/1988	Jerge et al.	D24/217
D. 295,075	4/1988	Jerge et al. .	
D. 318,329	7/1991	Porteous	D24/217
1,157,733	10/1915	Stevenson .	
1,471,050	10/1923	Montag .	
3,330,434	7/1967	Bromley .	
3,697,223	10/1972	Kovalcik et al. .	
3,890,096	6/1975	Nichol et al. .	
4,046,254	9/1977	Kramer .	
4,135,868	1/1979	Schainholz .	
4,327,060	4/1982	Nisii .	
4,333,567	6/1982	Leonard .	
4,541,992	9/1985	Jerge et al. .	
4,577,755	3/1986	Ramsay .	
4,643,303	2/1987	Arp et al.	206/370
4,854,475	8/1989	Riihimaki et al. .	
4,865,821	9/1989	Langdon .	
4,959,199	9/1990	Brewer .	
4,978,510	12/1990	Smith .	
5,084,251	1/1992	Thomas .	
5,098,676	3/1992	Brooks, Jr. .	
5,127,537	7/1992	Graham .	
5,215,726	6/1993	Kudla et al.	422/300 X
5,279,800	1/1994	Berry, Jr.	422/300

OTHER PUBLICATIONS

Svenska Dental Instruments AB, Vasby, Sweden, Applicants' Reference ("AR").

Syntex Dental Products, Bay Minette, Ala., Mar. 1982, Applicants' Reference ("AS").

A-dec Trays & Tubs, Newberg, Oreg., Applicants' Reference ("AT").

Medin Corporation, Instrument Tray For Microsurgery, Applicants' Reference ("AAR").

Aesculap, Tuttlingen, West Germany, Applicants' Reference ("AAS").

Winston-Salem Dental Care Plan, Inc., Winston-Salem, North Carolina, Applicants' Reference ("ATT").

Primary Examiner—A. Hugo Word

Assistant Examiner—I. Simmons

Attorney, Agent, or Firm—Dressler, Goldsmith, Shore & Milnamow, Ltd.

[57] CLAIM

The ornamental design for a sterilization cassette, as shown and described.

DESCRIPTION

FIG. 1 is a perspective view of a sterilization cassette in accordance with the invention shown in a closed position;

FIG. 2 is an end elevational view of the cassette shown in FIG. 1, the opposite end elevational view being a mirror image thereof;

FIG. 3 is a rear elevational view of the cassette shown in FIG. 1;

FIG. 4 is a top plan view of the cassette shown in FIG. 1, the bottom plan view being a mirror image thereof;

FIG. 5 is a front elevational view of the cassette shown in FIG. 1;

FIG. 6 is an end elevational view of the cassette thereof, shown in open position, the opposite end elevational view being a mirror image thereof;

FIG. 7 is an end elevational view of a second embodiment of the sterilization cassette, the opposite end elevational view being a mirror image thereof;

FIG. 8 is an end elevational view of the cassette thereof, shown in open position, the opposite end elevational view being a mirror image thereof; and,

FIG. 9 is a perspective view of the cassette shown in FIG. 8, the cassette shown in the closed position.

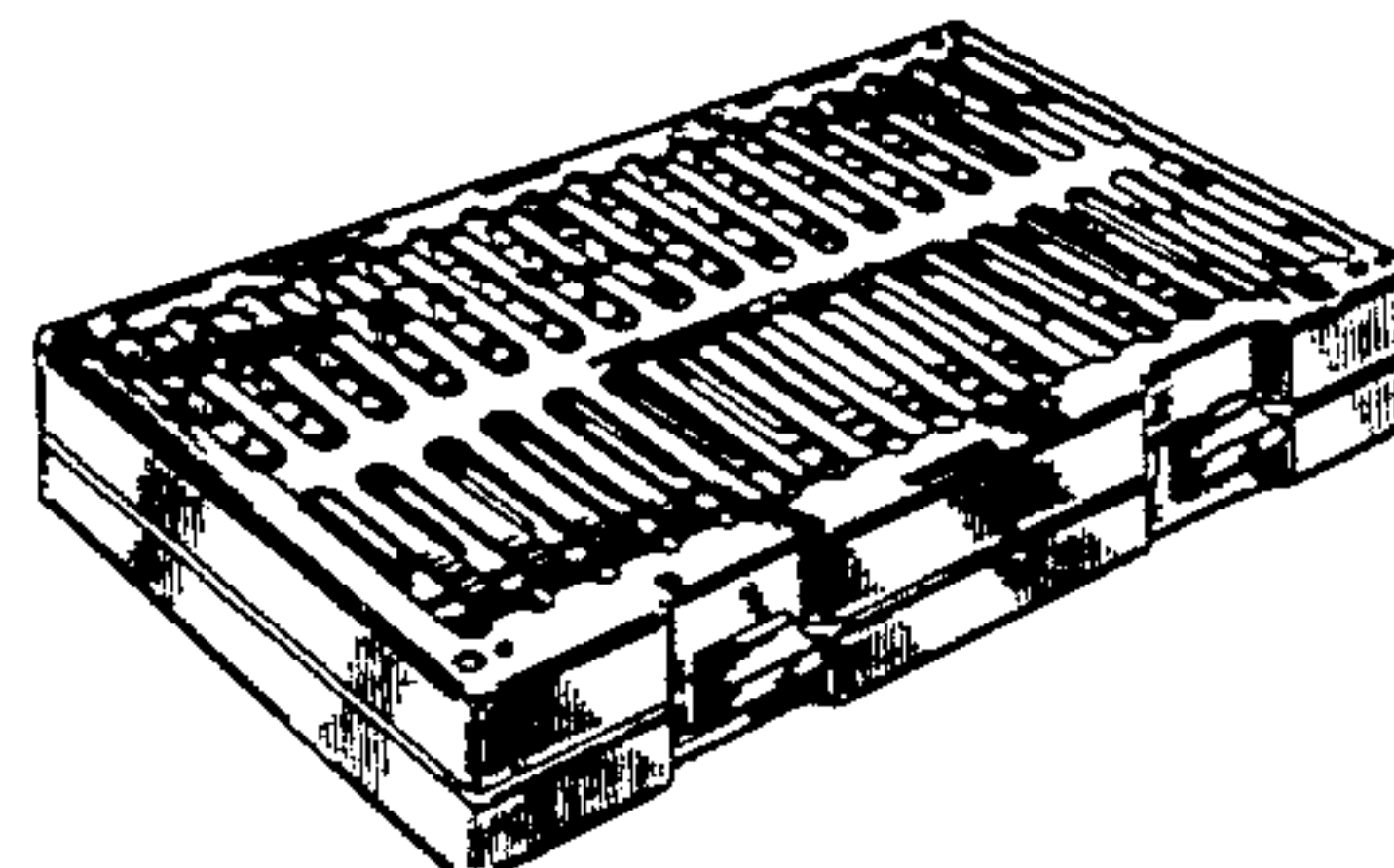
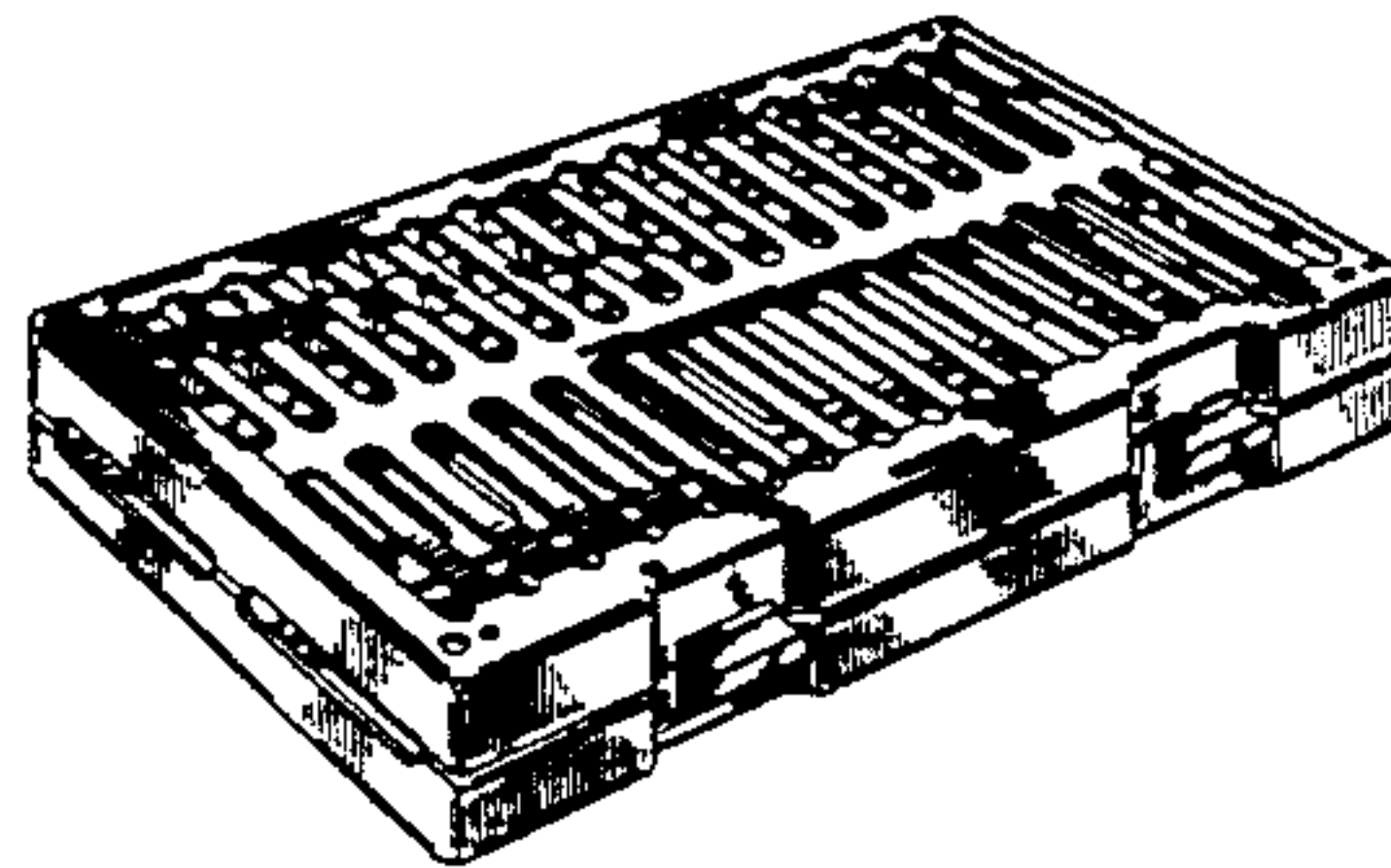


Fig. 1

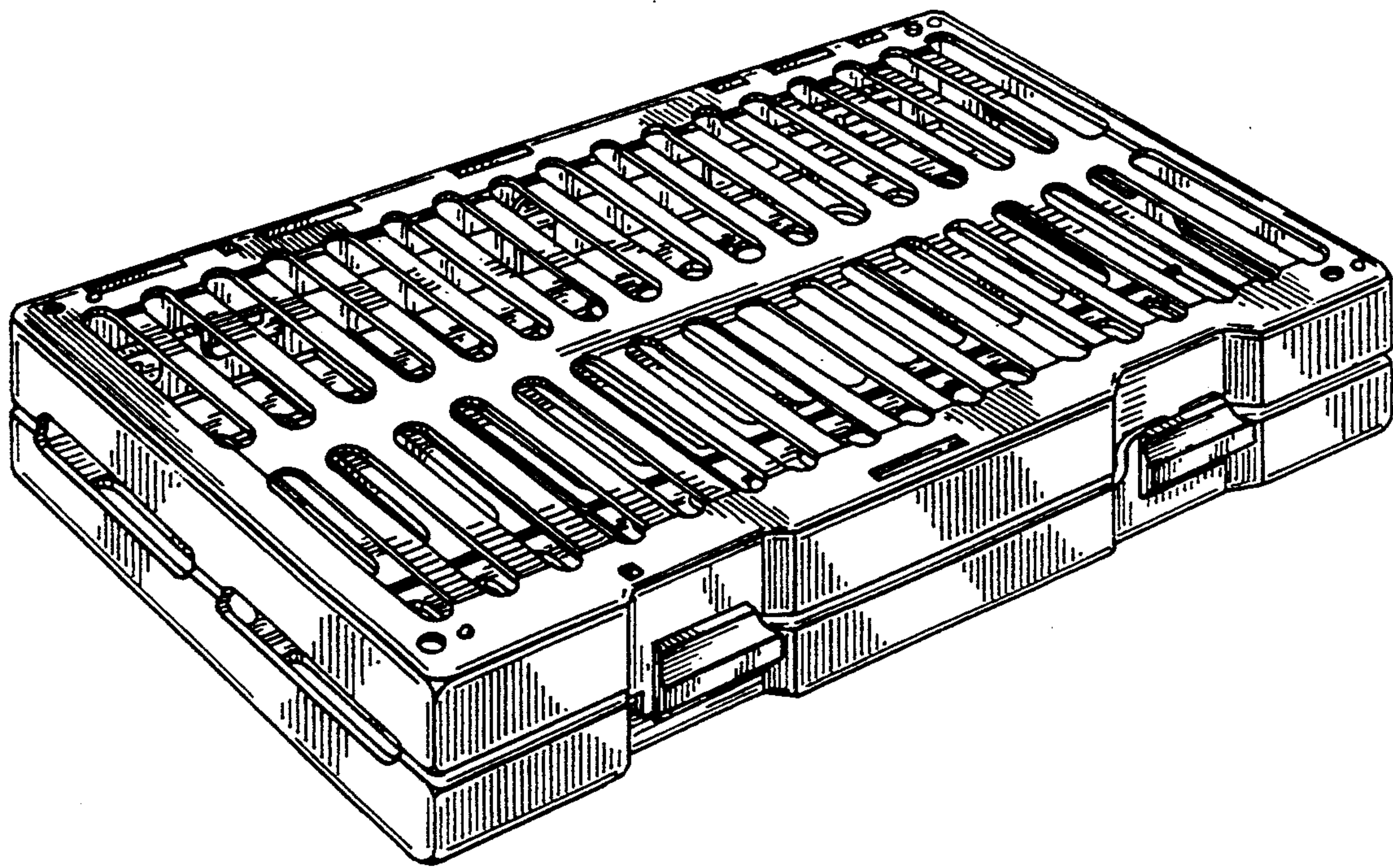


Fig. 2

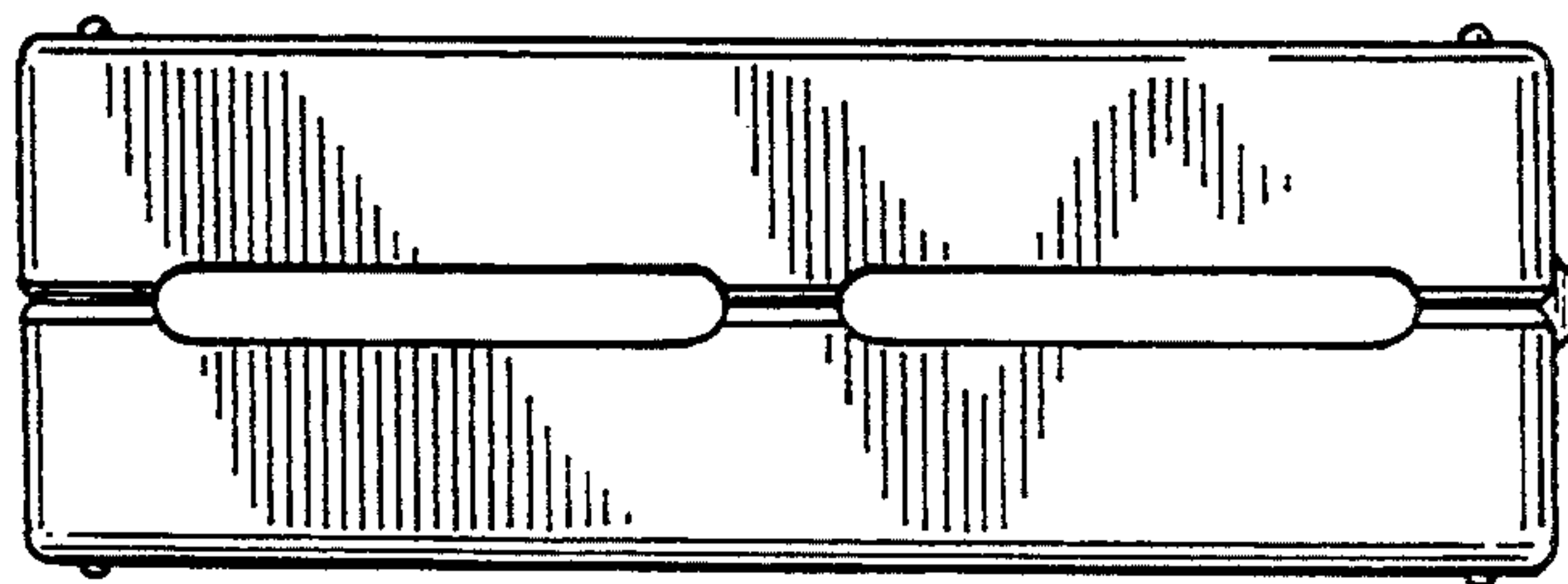


Fig. 3

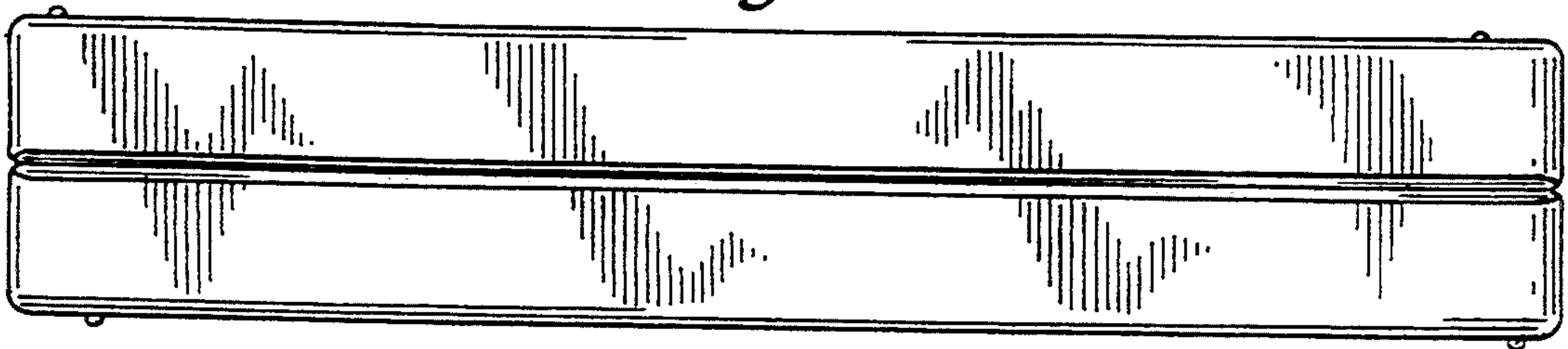


Fig. 4

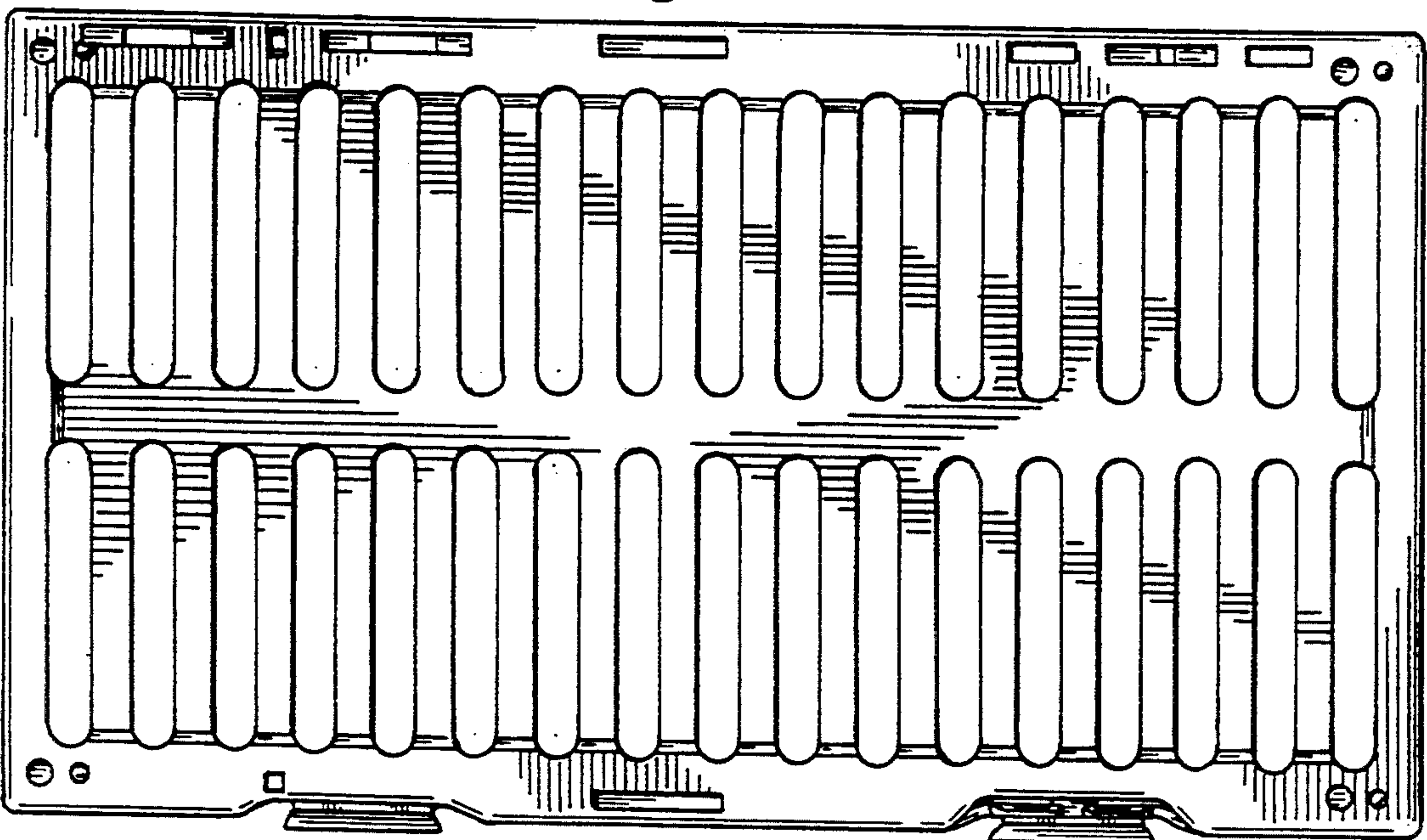


Fig. 5

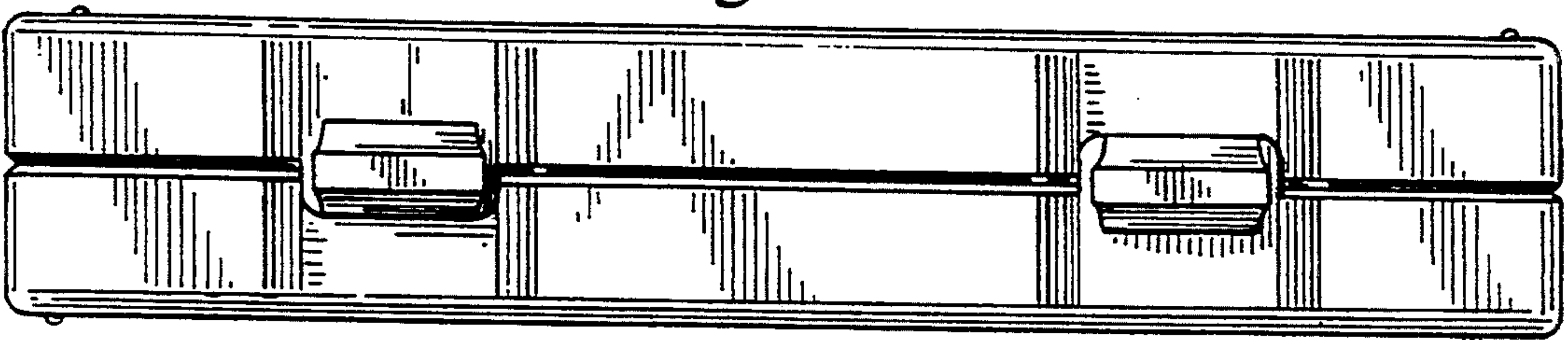


Fig. 6

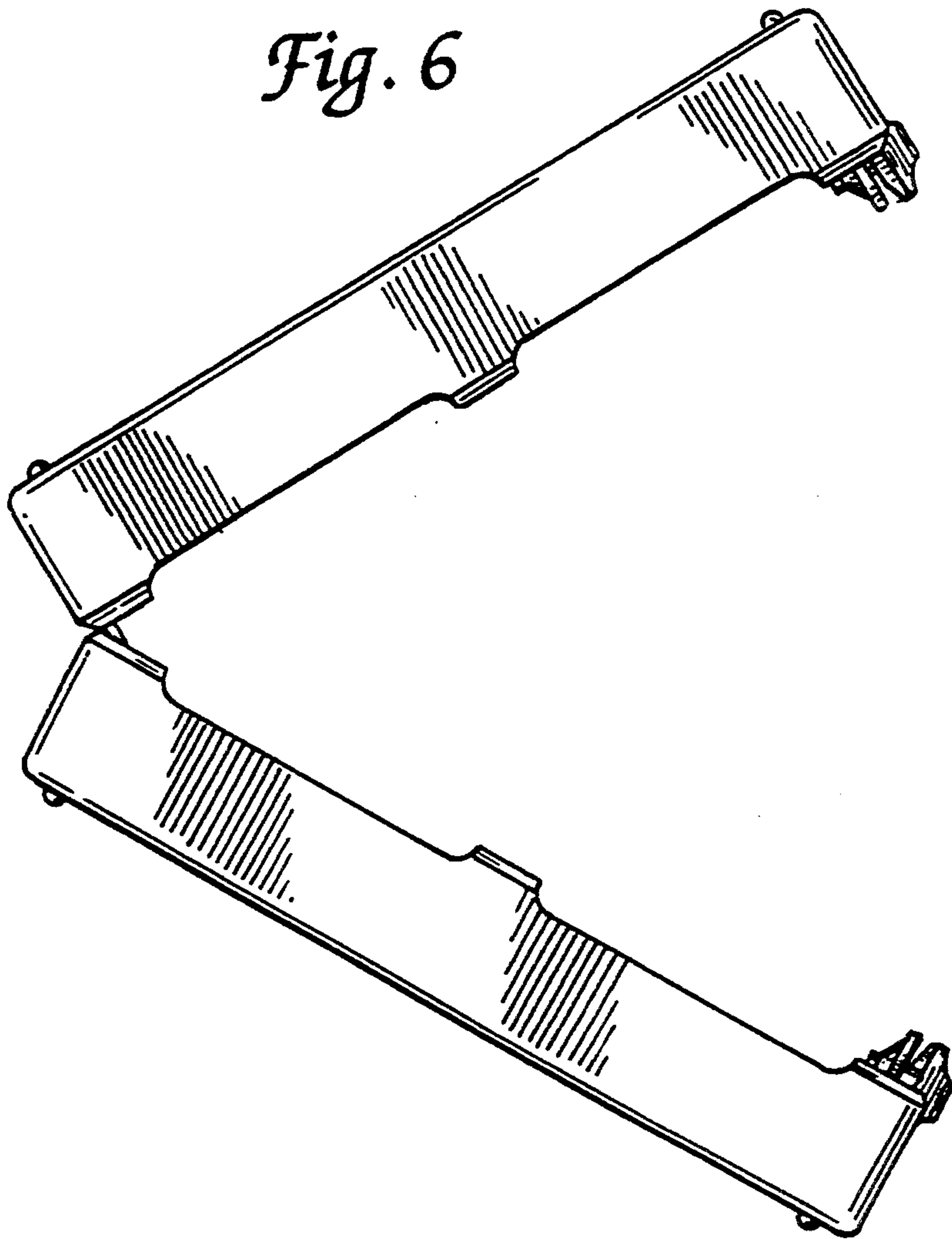


Fig. 7

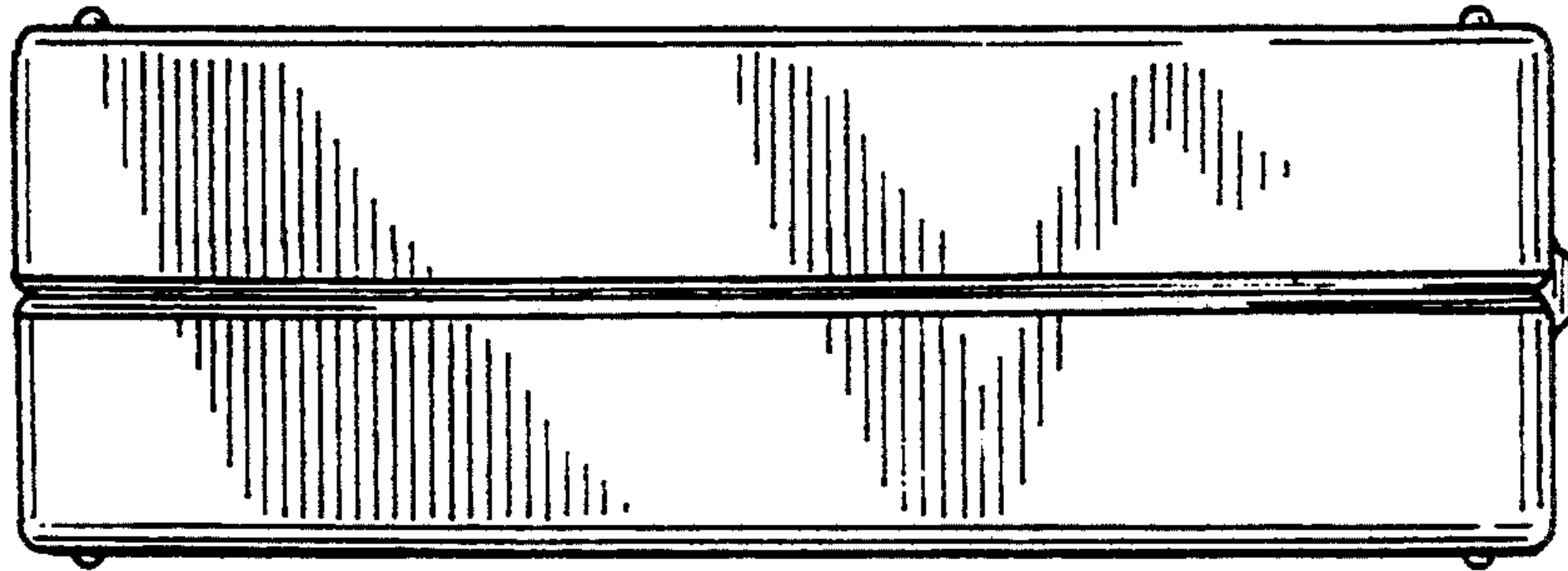


Fig. 8

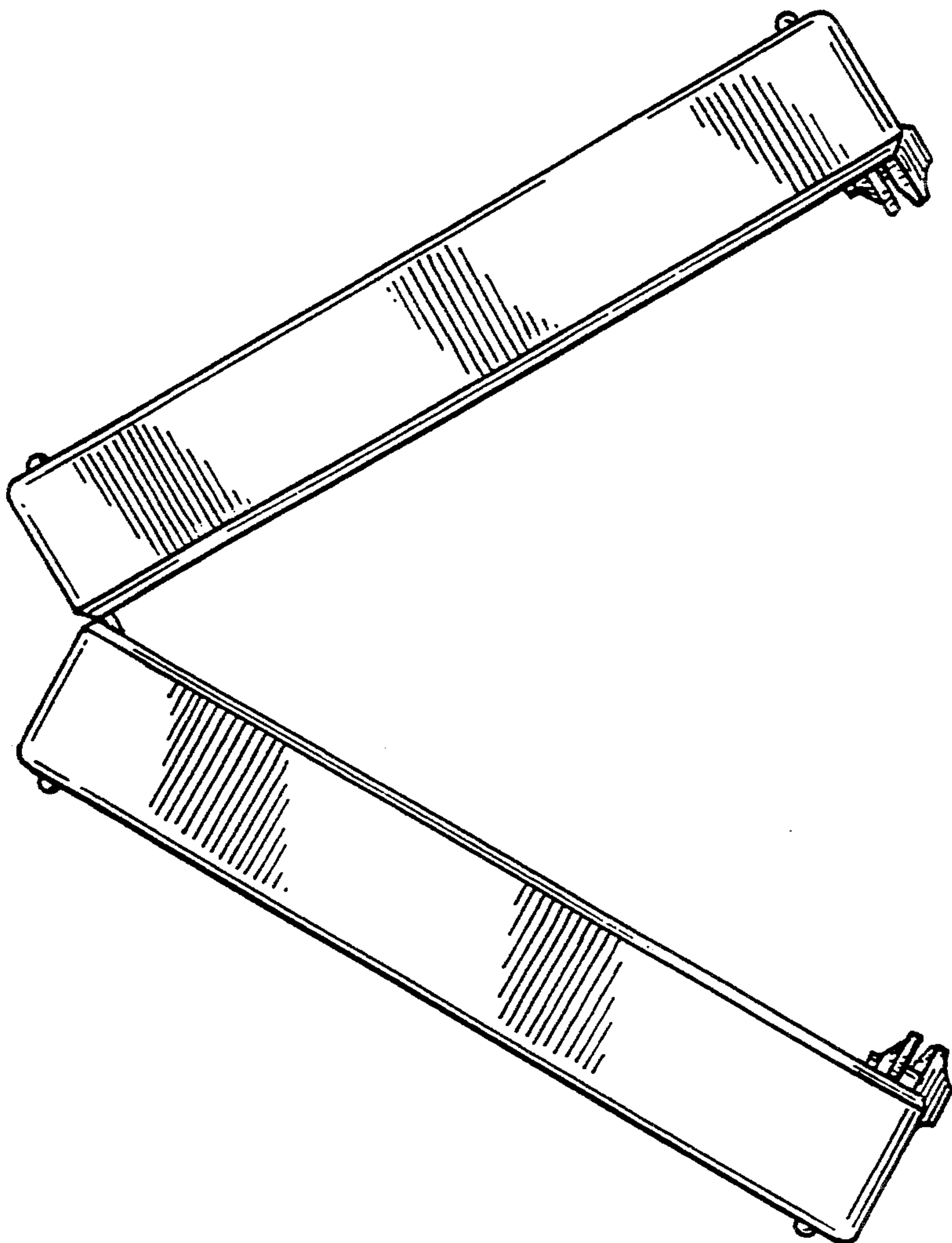


Fig. 9

