



US00D360695S

# United States Patent [19]

[11] Patent Number: **Des. 360,695**

**Wollman**

[45] Date of Patent: **\*\* Jul. 25, 1995**

- [54] **HAND-HELD MASSAGER**
- [75] Inventor: **Matt J. Wollman**, North Hollywood, Calif.
- [73] Assignee: **HWE, Inc.**, No. Hollywood, Calif.
- [\*\*] Term: **14 Years**
- [21] Appl. No.: **11,996**
- [22] Filed: **Aug. 19, 1993**
- [52] U.S. Cl. .... **D24/211; D24/214**
- [58] Field of Search ..... **D24/200, 211-215; 601/78-81, 75, 136-139, 108, 116-118, 122, 126, 131, 169, 155**

- D. 342,319 12/1993 Cheng ..... D24/214
- 2,338,339 1/1944 Merea et al. .... D24/211 X
- 2,480,023 8/1949 Holden ..... 601/155

*Primary Examiner*—Stella Reid  
*Attorney, Agent, or Firm*—Michael A. Painter

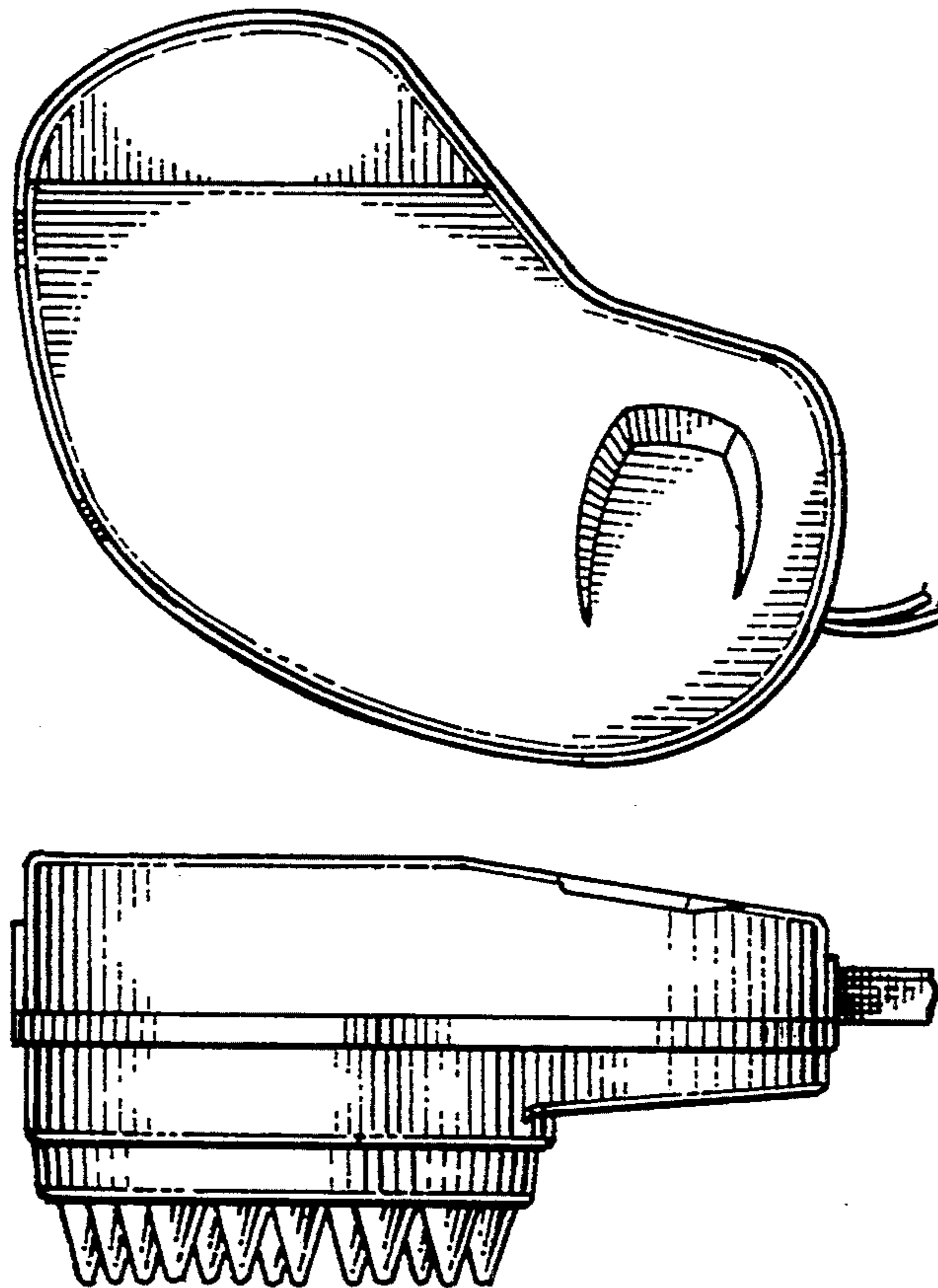
### [57] CLAIM

The ornamental design for a hand-held massager, as shown.

### DESCRIPTION

FIG. 1 is a top view of a hand-held massager illustrating my new design;  
 FIG. 2 is a bottom view thereof;  
 FIG. 3 is a front elevational view thereof taken from FIG. 1;  
 FIG. 4 is a rear elevational view thereof taken from FIG. 1;  
 FIG. 5 is a left side view thereof taken from FIG. 2; and,  
 FIG. 6 is a right side view thereof taken from FIG. 2.

- [56] **References Cited**
- U.S. PATENT DOCUMENTS**
- D. 200,525 3/1965 Kellog ..... D24/211
- D. 231,569 4/1974 Gardiner ..... D24/211
- D. 300,853 4/1989 Smal ..... D24/211
- D. 314,620 2/1991 Bataglia ..... D24/211



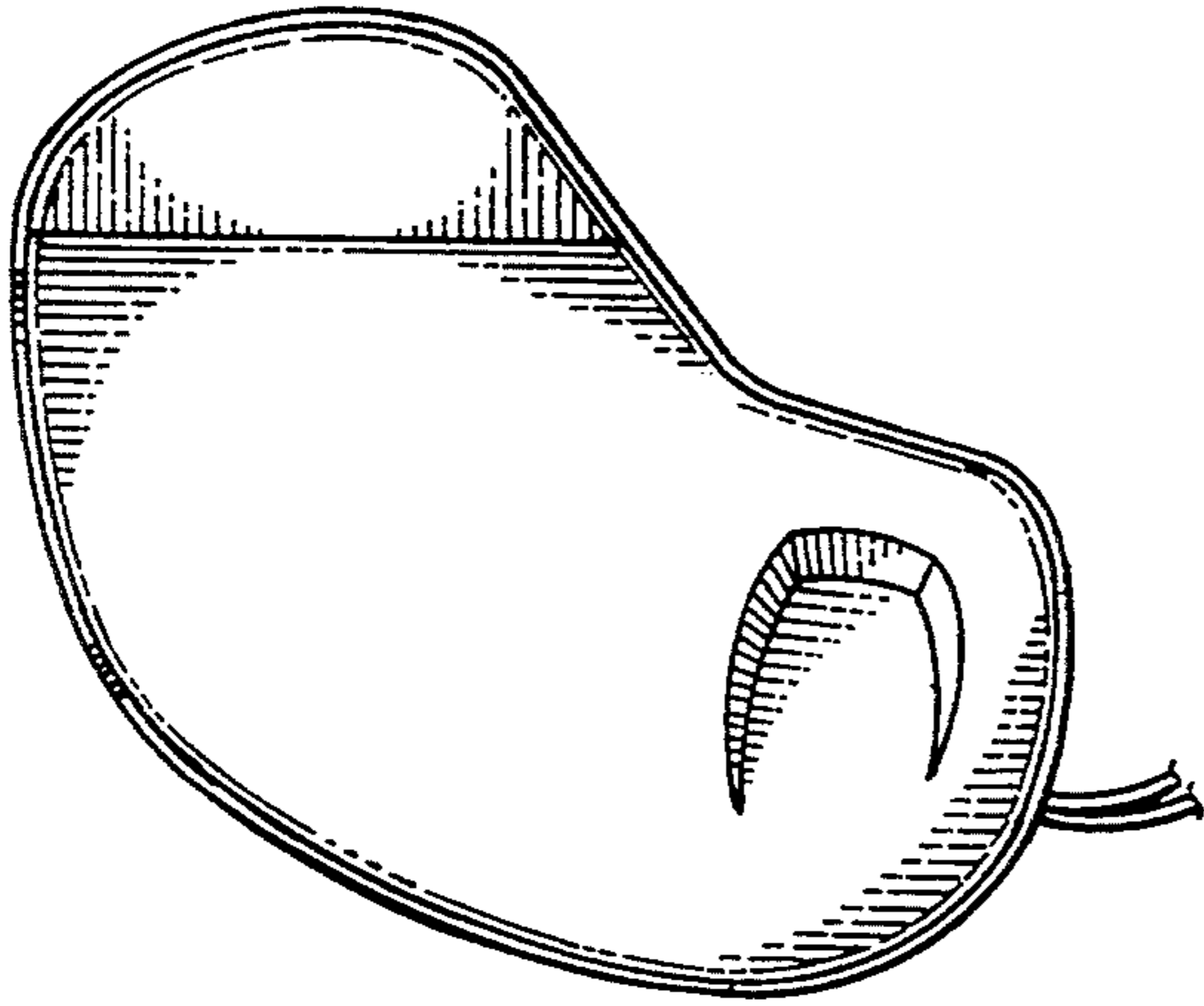


FIG. 1.

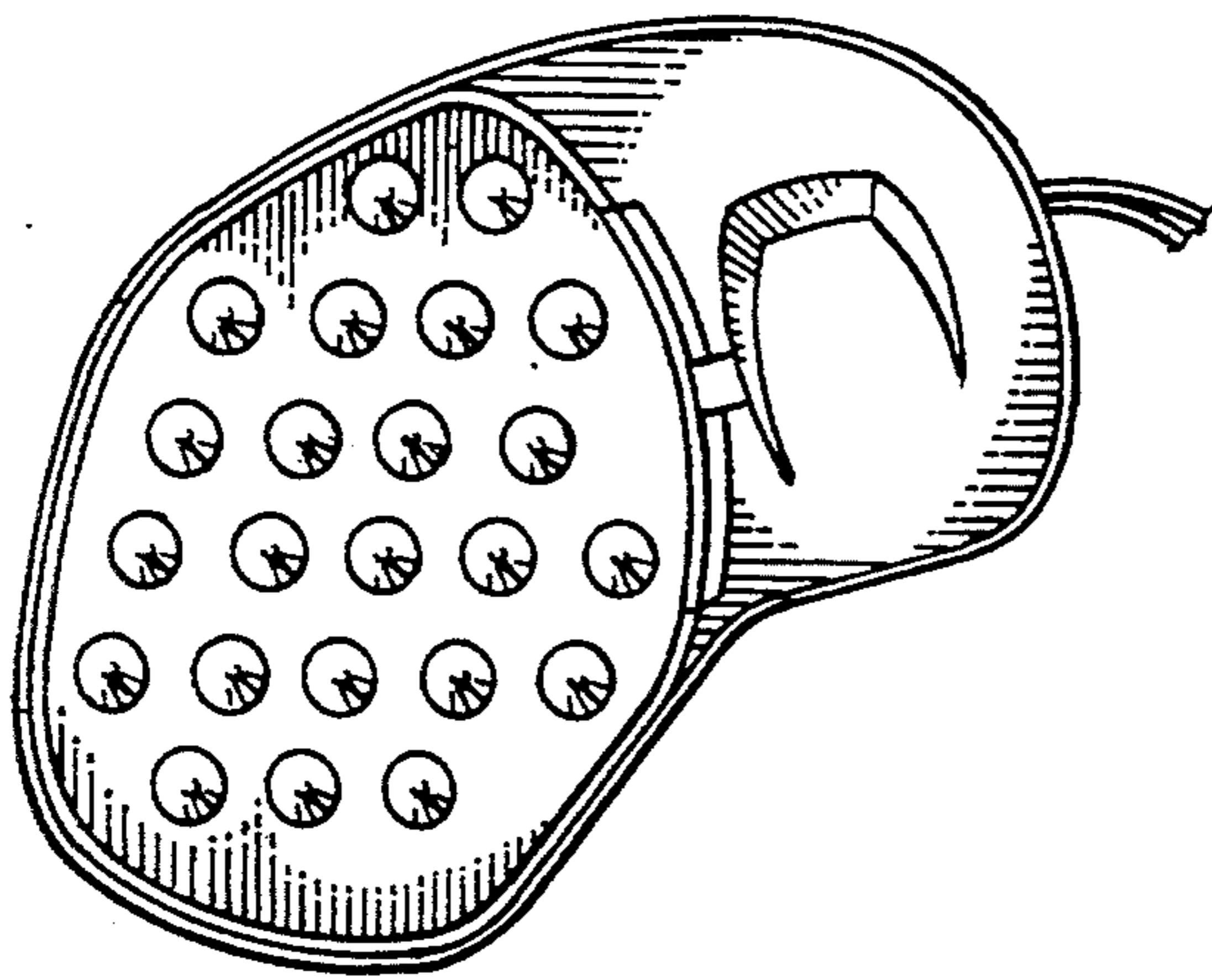


FIG. 2.

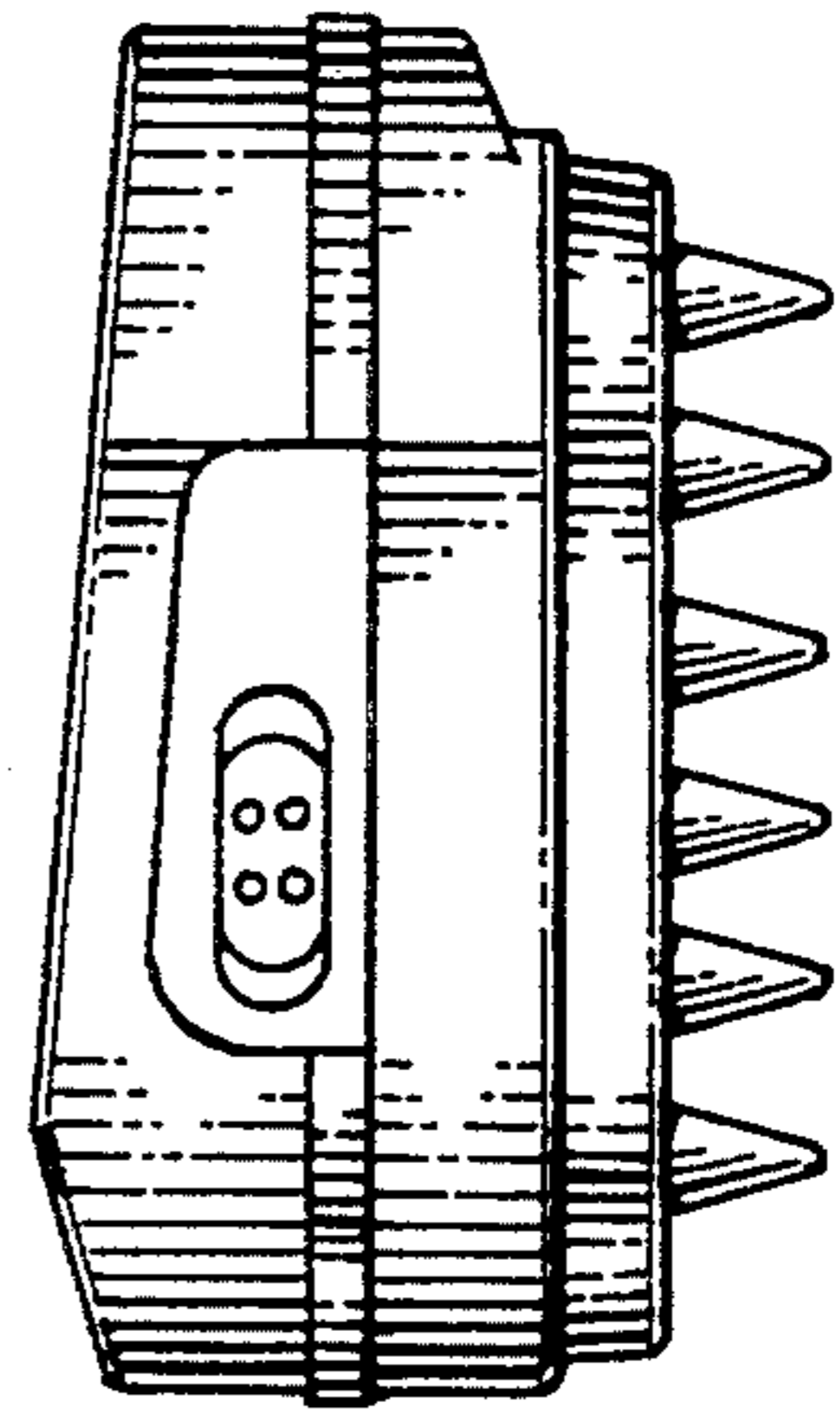


FIG. 5.

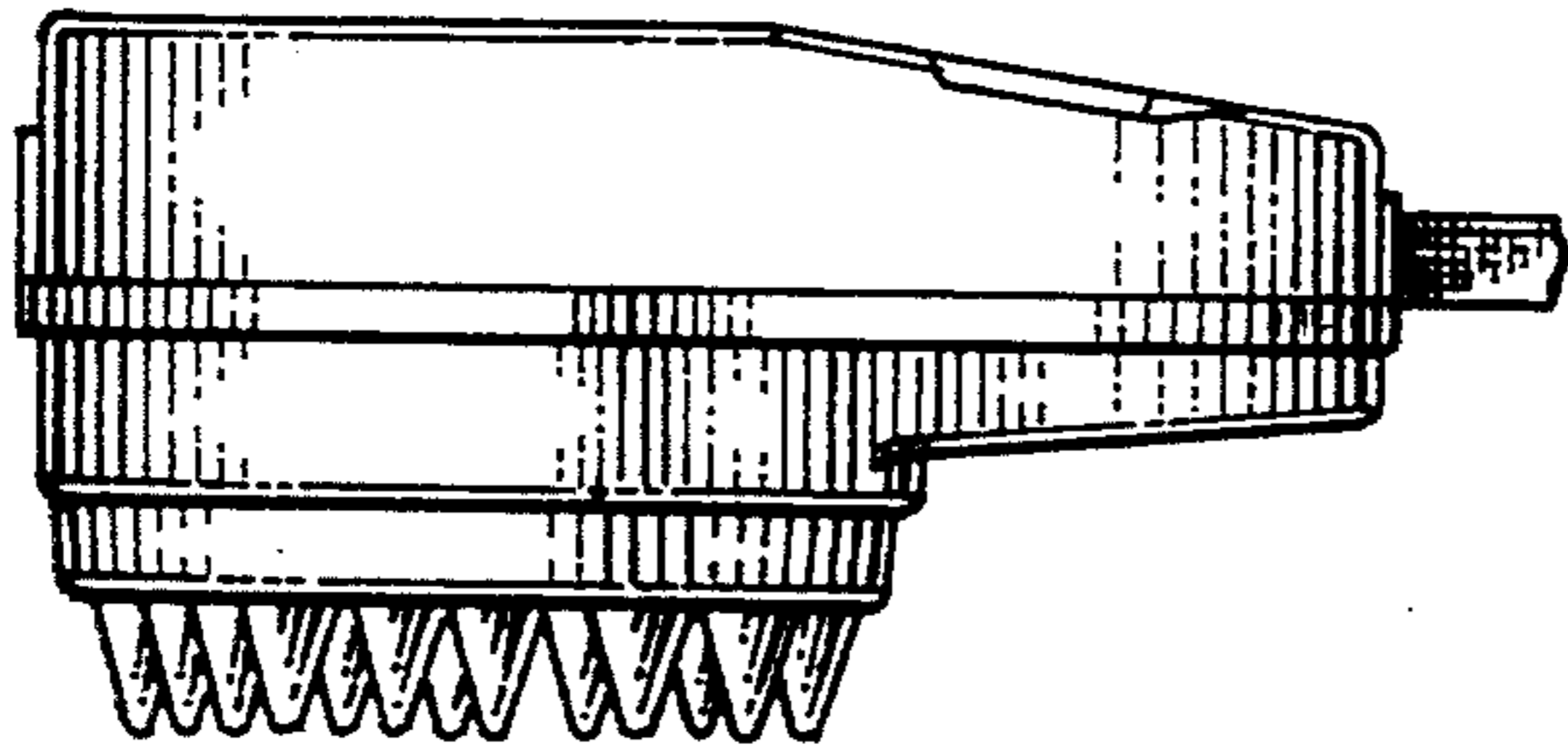


FIG. 3.

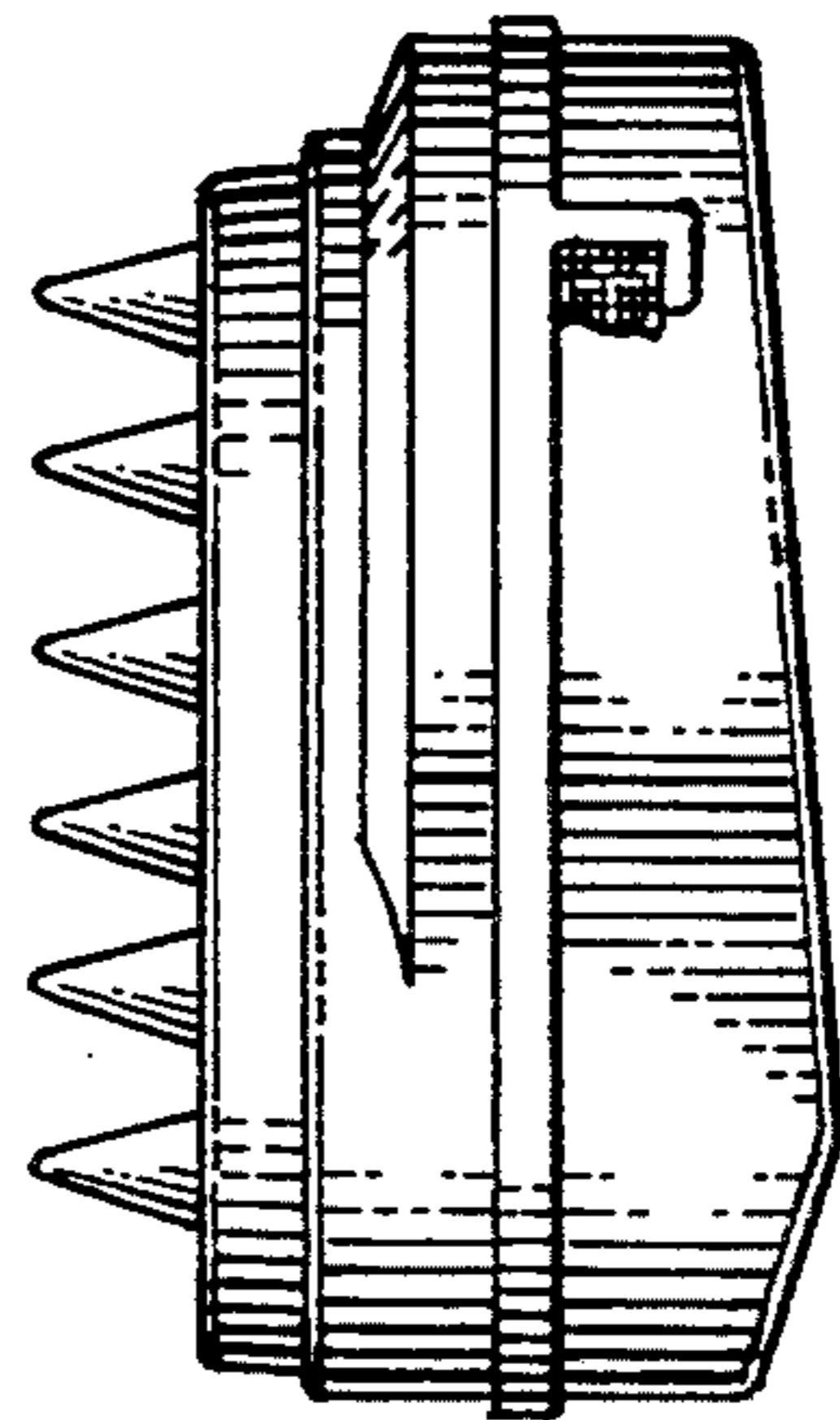


FIG. 6.

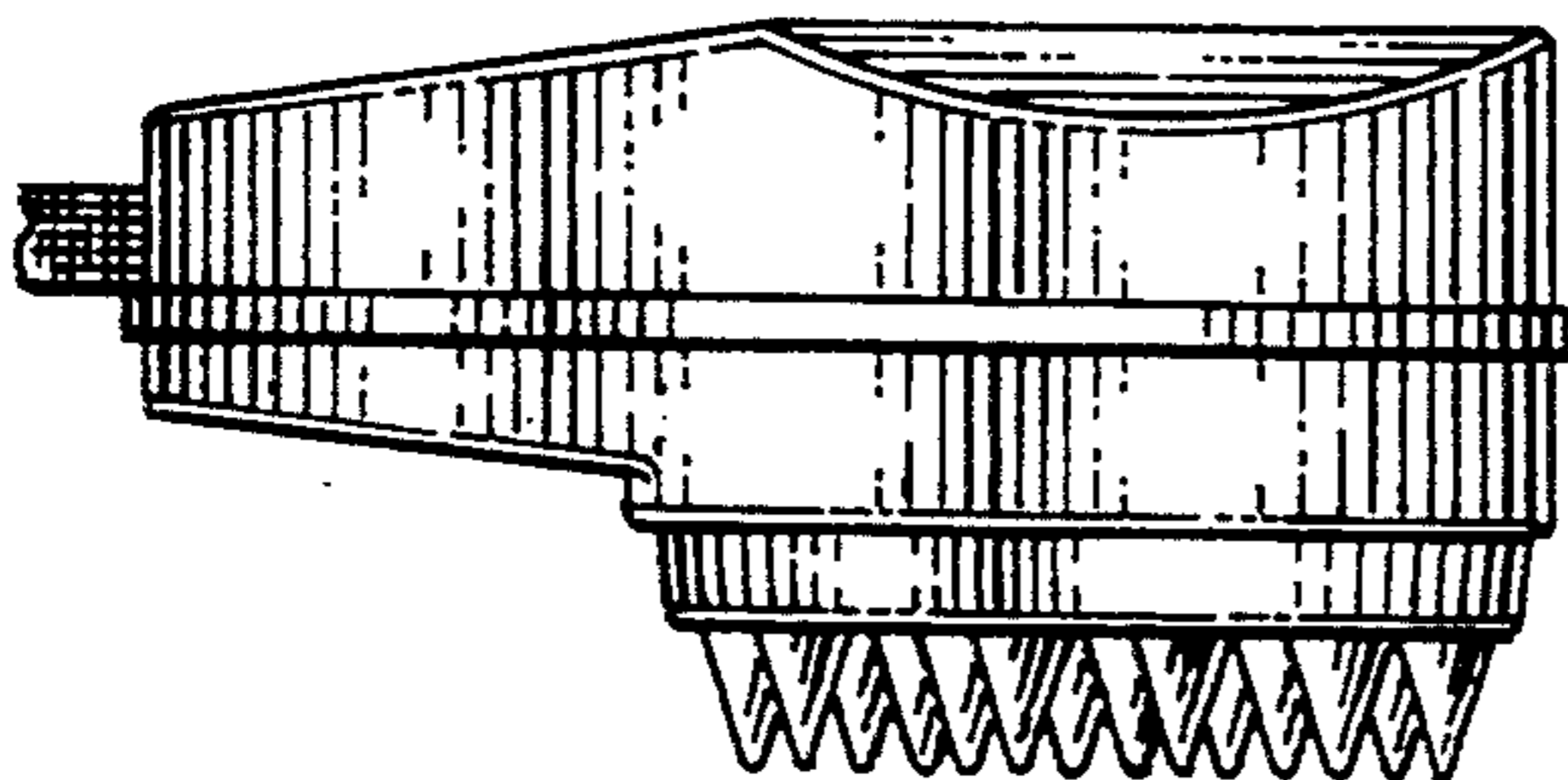


FIG. 4.