



US00D360691S

United States Patent [19]

[11] Patent Number: **Des. 360,691**

Mostardo

[45] Date of Patent: **** Jul. 25, 1995**

[54] **HEARING AID RECEIVER**

5,193,116 3/1993 Mostardo 381/68.6 X R

[75] Inventor: **August F. Mostardo**, Norridge, Ill.

Primary Examiner—Stella Reid

[73] Assignee: **Knowles Electronics, Inc.**, Itasca, Ill.

Attorney, Agent, or Firm—Wallenstein & Wagner, Ltd.

[**] Term: **14 Years**

[57] **CLAIM**

[21] Appl. No.: **12,487**

The ornamental design for a hearing aid receiver, as shown and described.

[22] Filed: **Sep. 1, 1993**

DESCRIPTION

[52] U.S. Cl. **D24/174**

[58] Field of Search D24/174, 173; 381/68.7, 381/68.6, 68, 69, 60

FIG. 1 is a perspective view of the hearing aid receiver incorporating my new design;

FIG. 2 is a front elevational view thereof;

FIG. 3 is a rear elevational view thereof;

FIG. 4 is a side elevational view thereof, the opposite side being identical;

FIG. 5 is a top view thereof; and,

FIG. 6 is a bottom view thereof.

[56] **References Cited**

U.S. PATENT DOCUMENTS

4,109,116 8/1978 Victoreen 381/68
4,689,819 8/1987 Killion 381/68.6 X R

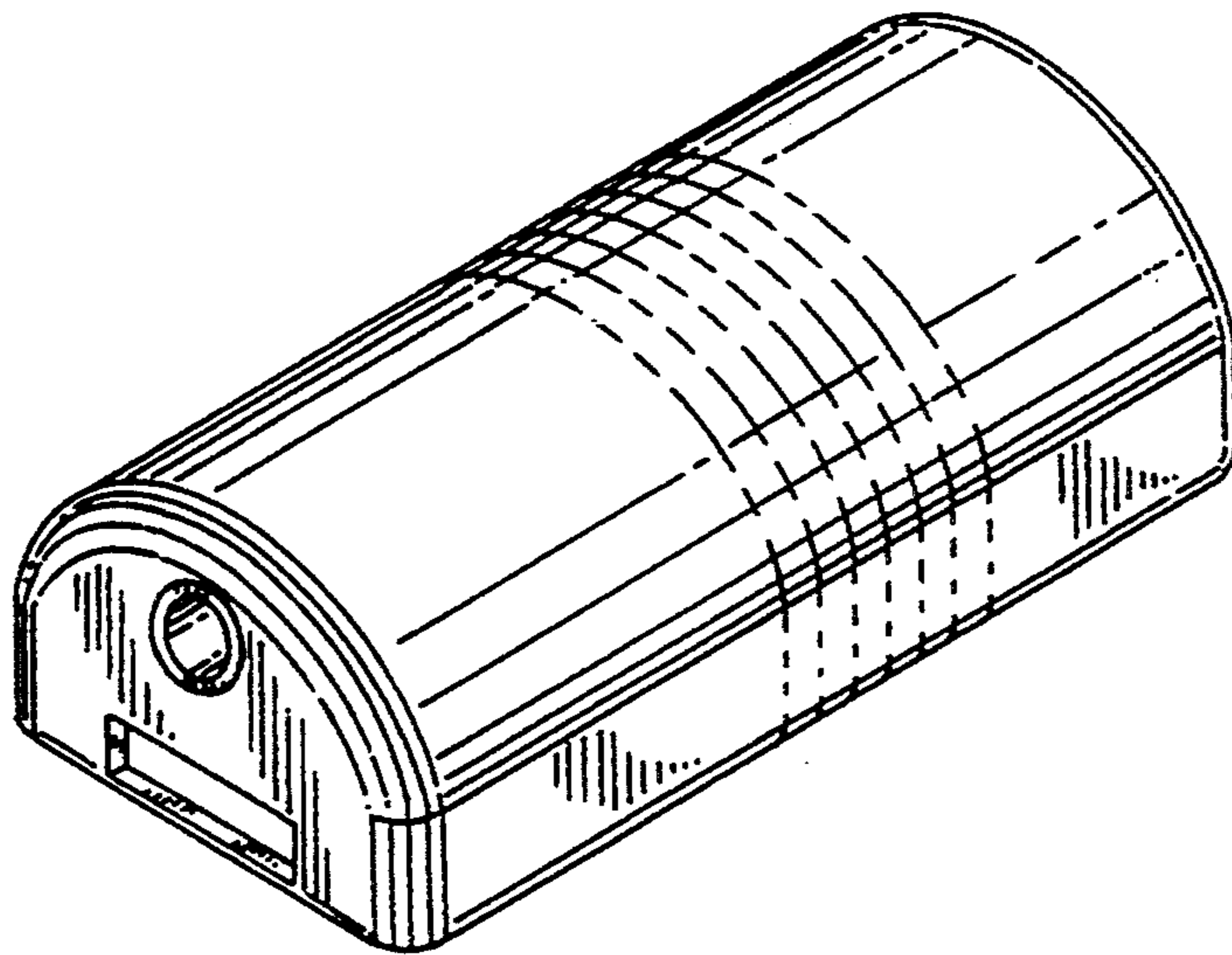


FIG. 1

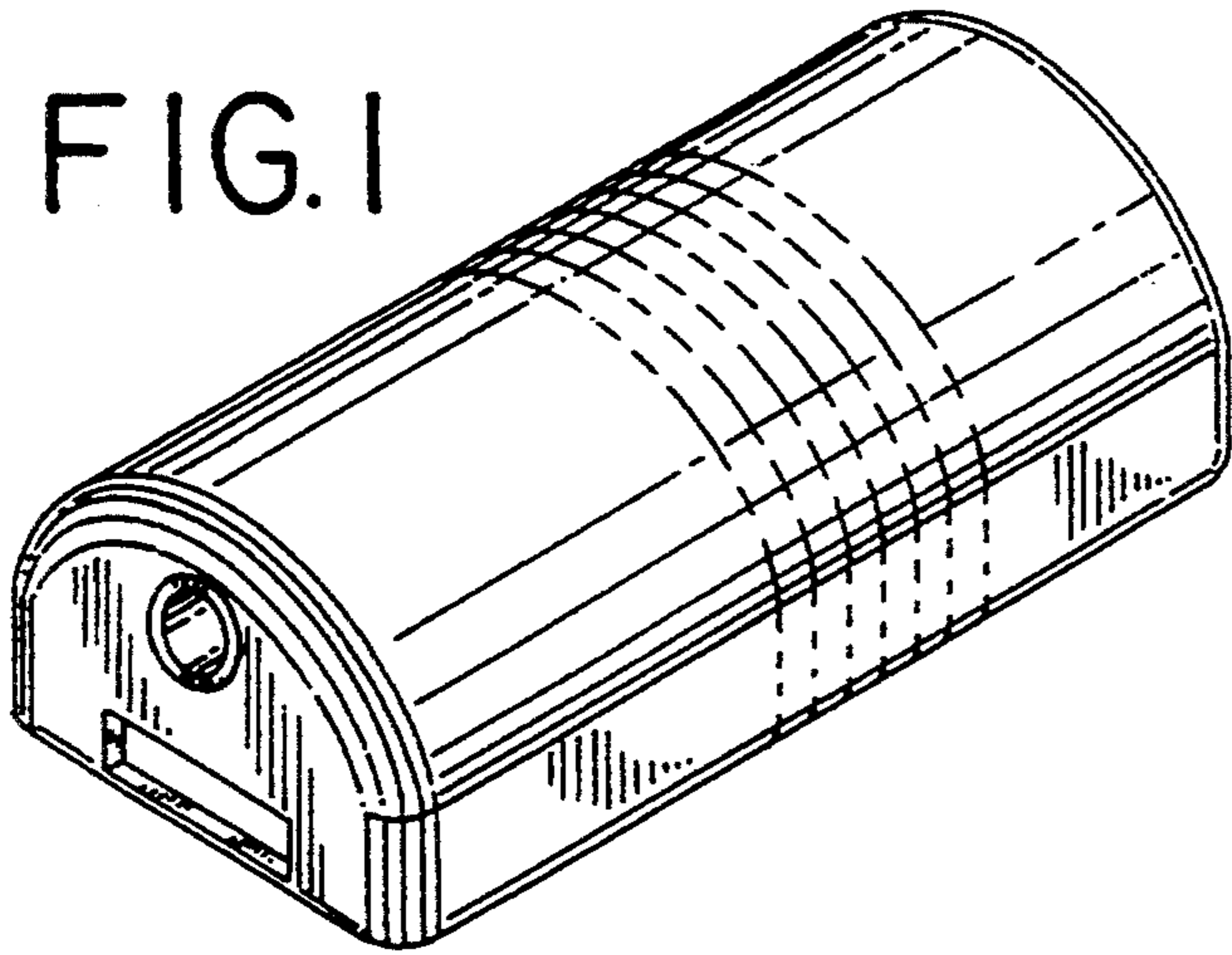


FIG. 2

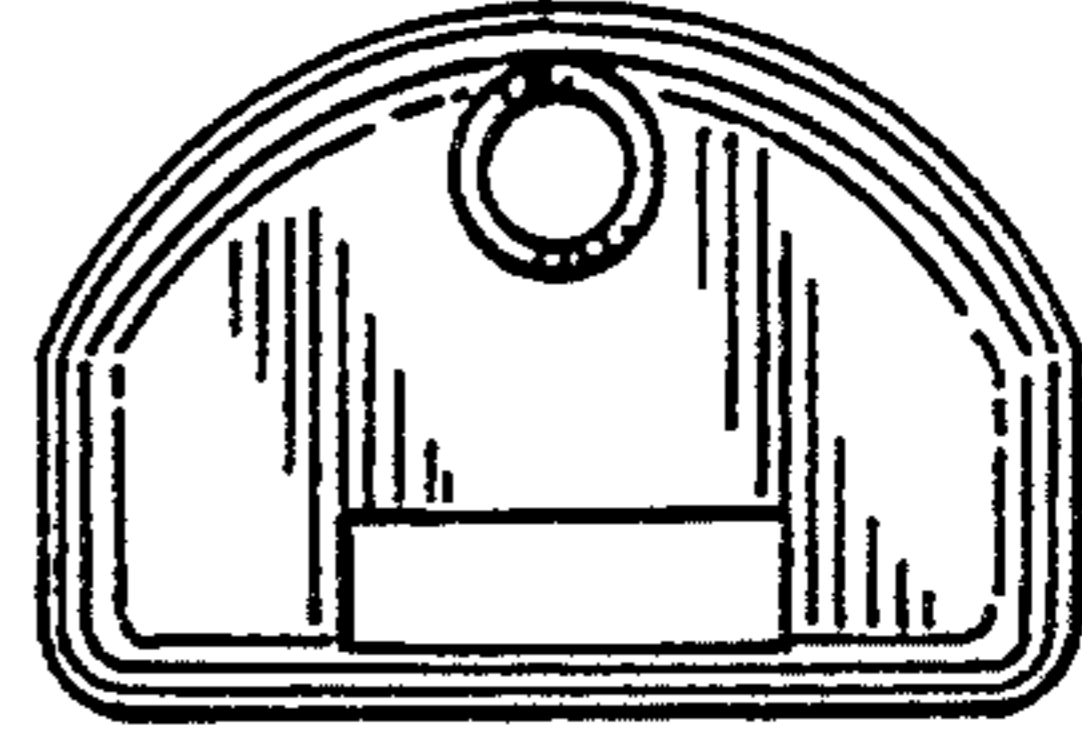


FIG. 3

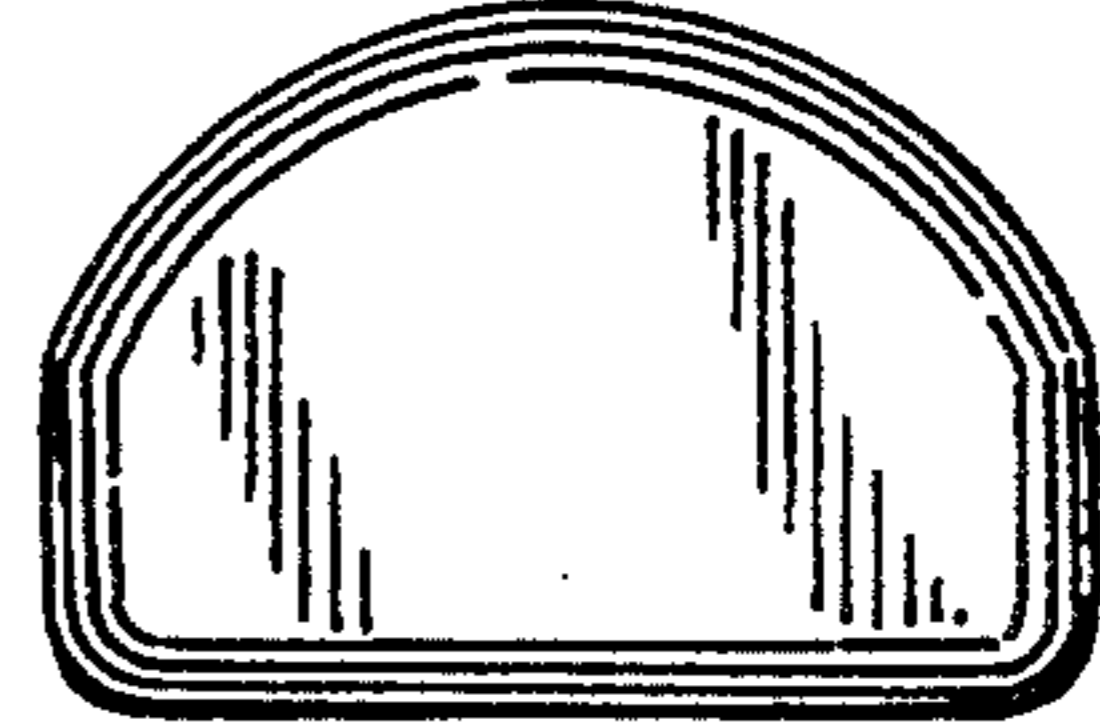


FIG. 4

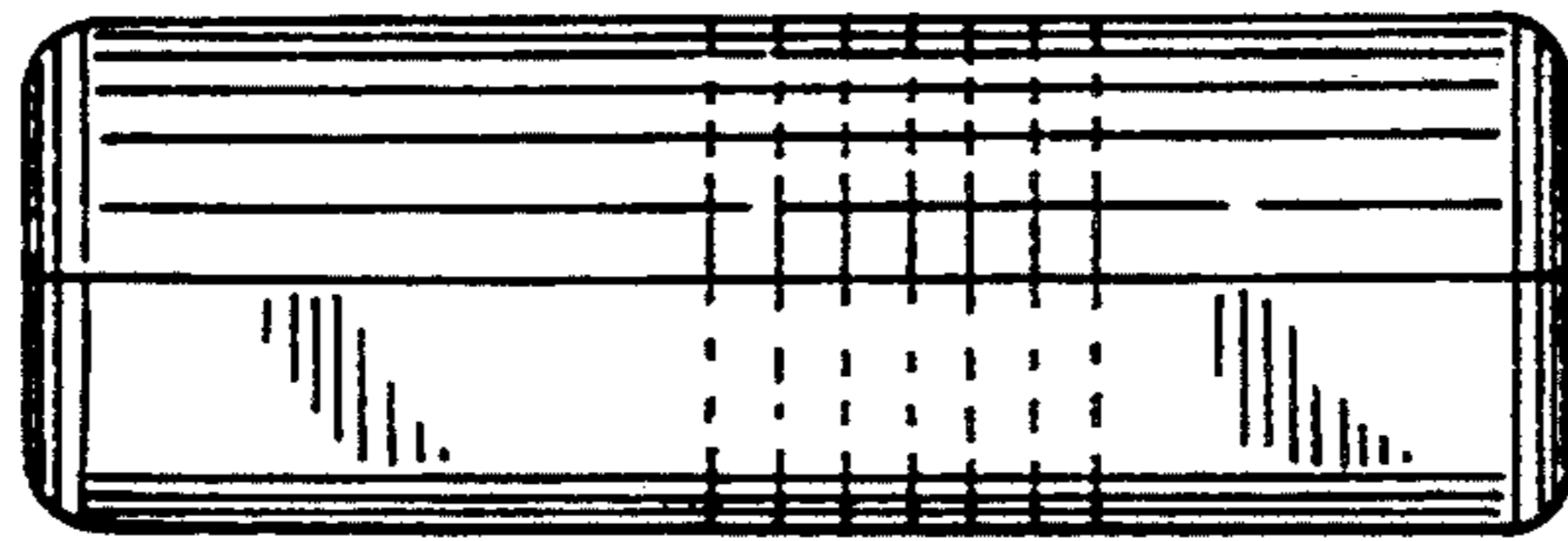


FIG. 5

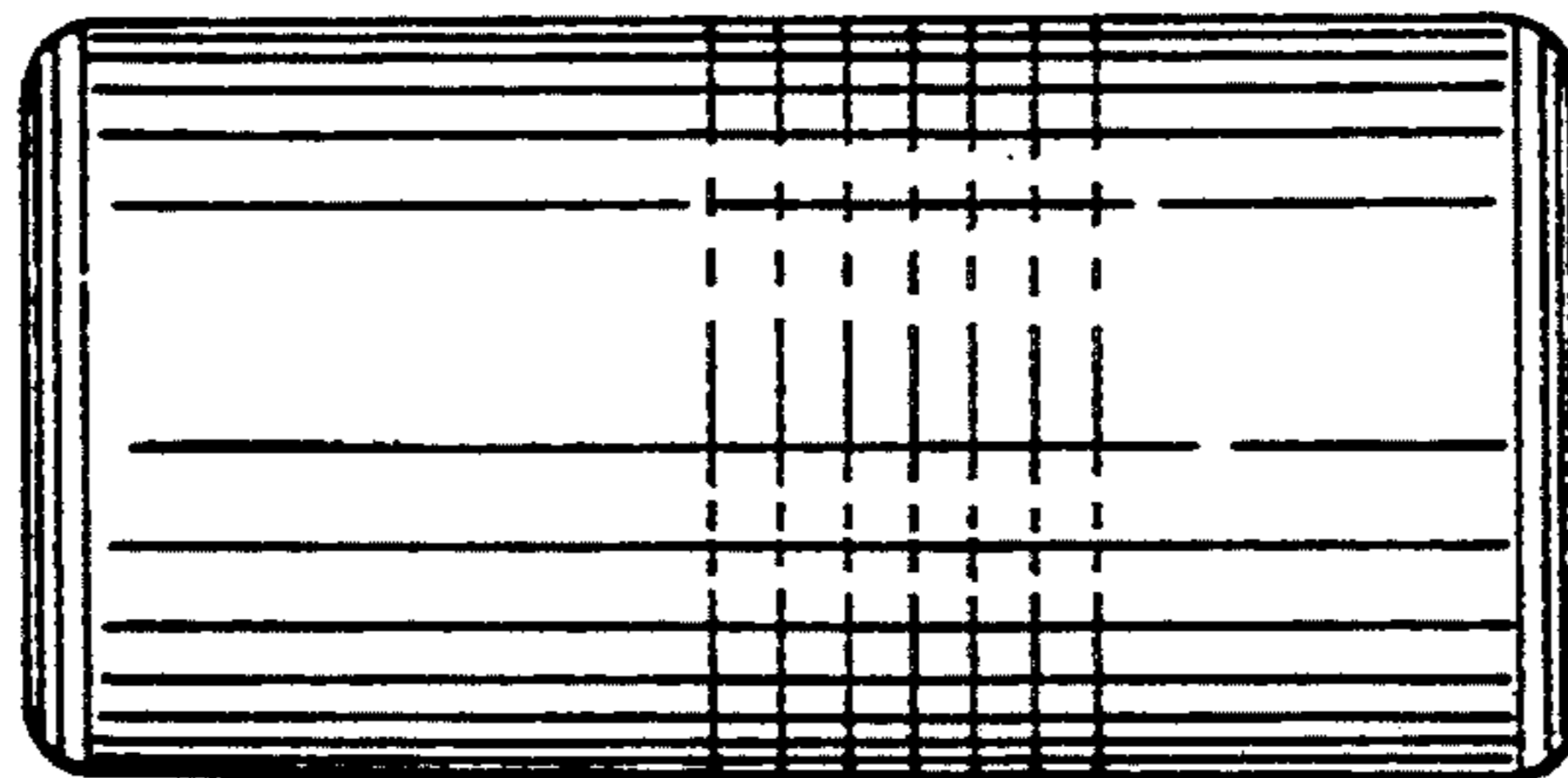


FIG. 6

