



US00D360684S

United States Patent [19]

[11] Patent Number: **Des. 360,684**

Ronvig

[45] Date of Patent: **** Jul. 25, 1995**

[54] **HIGH PRESSURE DENTAL SYRINGE**

[75] Inventor: **Jorn Ronvig, Daugaard, Denmark**

[73] Assignee: **A/S Dumex (Dumex Ltd.),
Copenhagen, Denmark**

[**] Term: **14 Years**

[21] Appl. No.: **8,992**

[22] Filed: **Jun. 2, 1993**

[30] **Foreign Application Priority Data**

Dec. 3, 1992 [DK] Denmark 1202/92

[52] U.S. Cl. **D24/113; D24/114;
D24/176**

[58] Field of Search D24/114, 113, 112, 147,
D24/176; 604/118, 206, 210, 219, 224; 433/36,
37

[56] **References Cited**

U.S. PATENT DOCUMENTS

D. 297,457 8/1988 Holewinski et al. D24/113

D. 297,458 8/1988 Holewinski D24/113
D. 297,566 9/1988 Blathewick et al. D24/113
4,184,490 1/1980 Jacklich 604/224
4,444,560 4/1984 Jacklich 604/224
4,710,172 12/1987 Jacklich et al. 604/118
4,710,178 12/1987 Leonard et al. 604/209
4,779,770 10/1988 Herold 604/210 X
4,832,692 5/1989 Box et al. 604/210 X

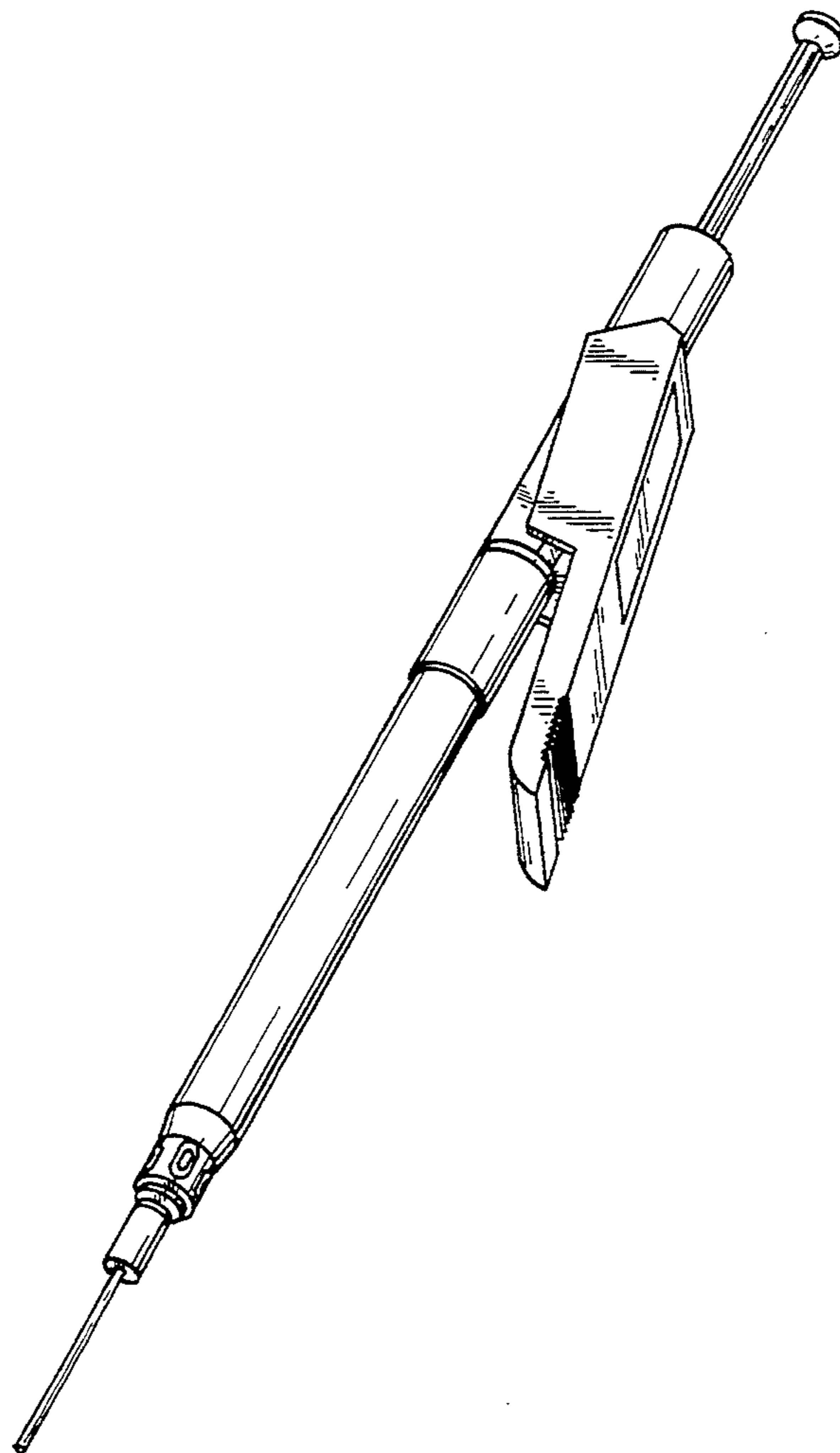
Primary Examiner—A. Hugo Word
Assistant Examiner—I. Simmons
Attorney, Agent, or Firm—Watson, Cole, Grindle &
Watson

[57] **CLAIM**

The ornamental design for a high pressure dental syringe, as shown and described.

DESCRIPTION

FIG. 1 is a perspective view as seen from the top of a high pressure dental syringe according to my new design; and
FIG. 2 is a perspective view thereof as seen from the bottom end.



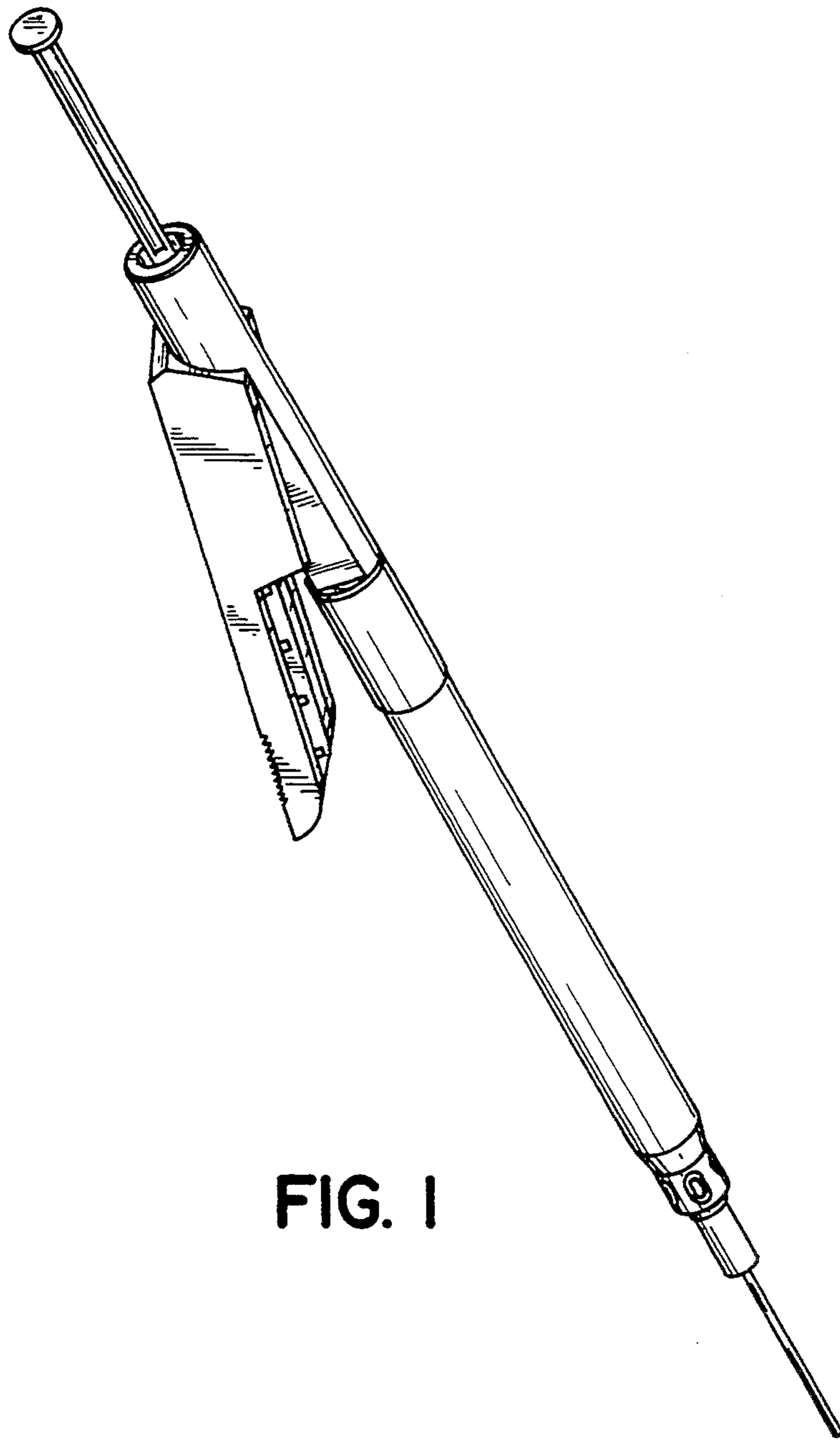


FIG. 1

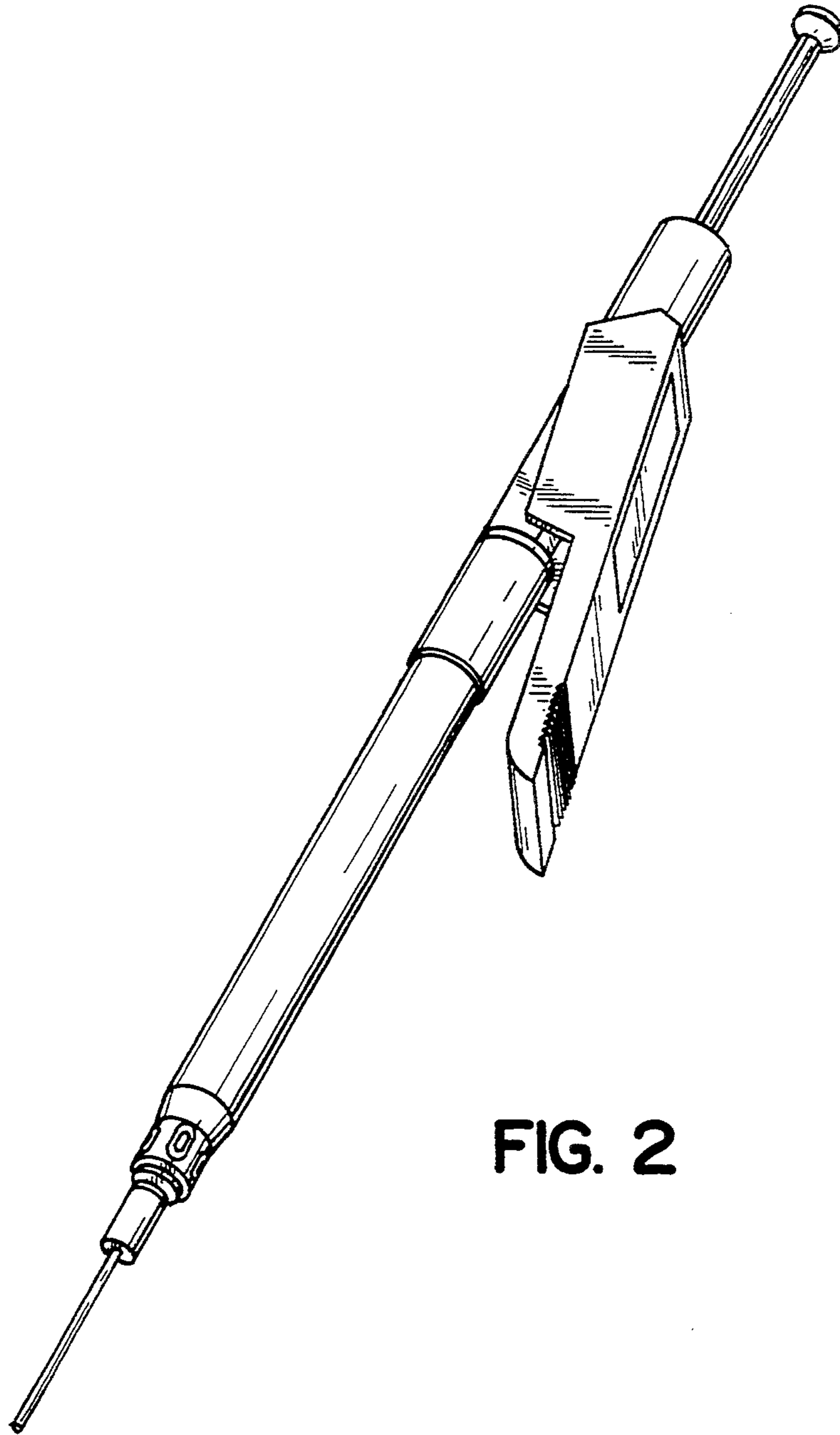


FIG. 2