



US00D360682S

United States Patent [19]

[11] Patent Number: **Des. 360,682**

Gilkison et al.

[45] Date of Patent: **** Jul. 25, 1995**

[54] FUME HOOD WITH A SPLIT SASH

[56] References Cited

[75] Inventors: **Kevin C. Gilkison**, Olathe; **Paul H. Morphy**, Prairie Village, both of Kans.; **Duane S. Tener**, Independence; **James F. Corn**, Kearney, both of Mo.

U.S. PATENT DOCUMENTS

D. 286,324 10/1986 Parks et al. D23/371
D. 296,469 6/1988 Bianchetti D23/370
4,100,847 7/1978 Norton 454/57

[73] Assignee: **Labconco Corporation**, Kansas City, Mo.

Primary Examiner—Lisa P. Lichtenstein
Attorney, Agent, or Firm—Shook, Hardy & Bacon

[**] Term: **14 Years**

[57] CLAIM

The ornamental design for a fume hood with a split sash, as shown and described.

[21] Appl. No.: **11,931**

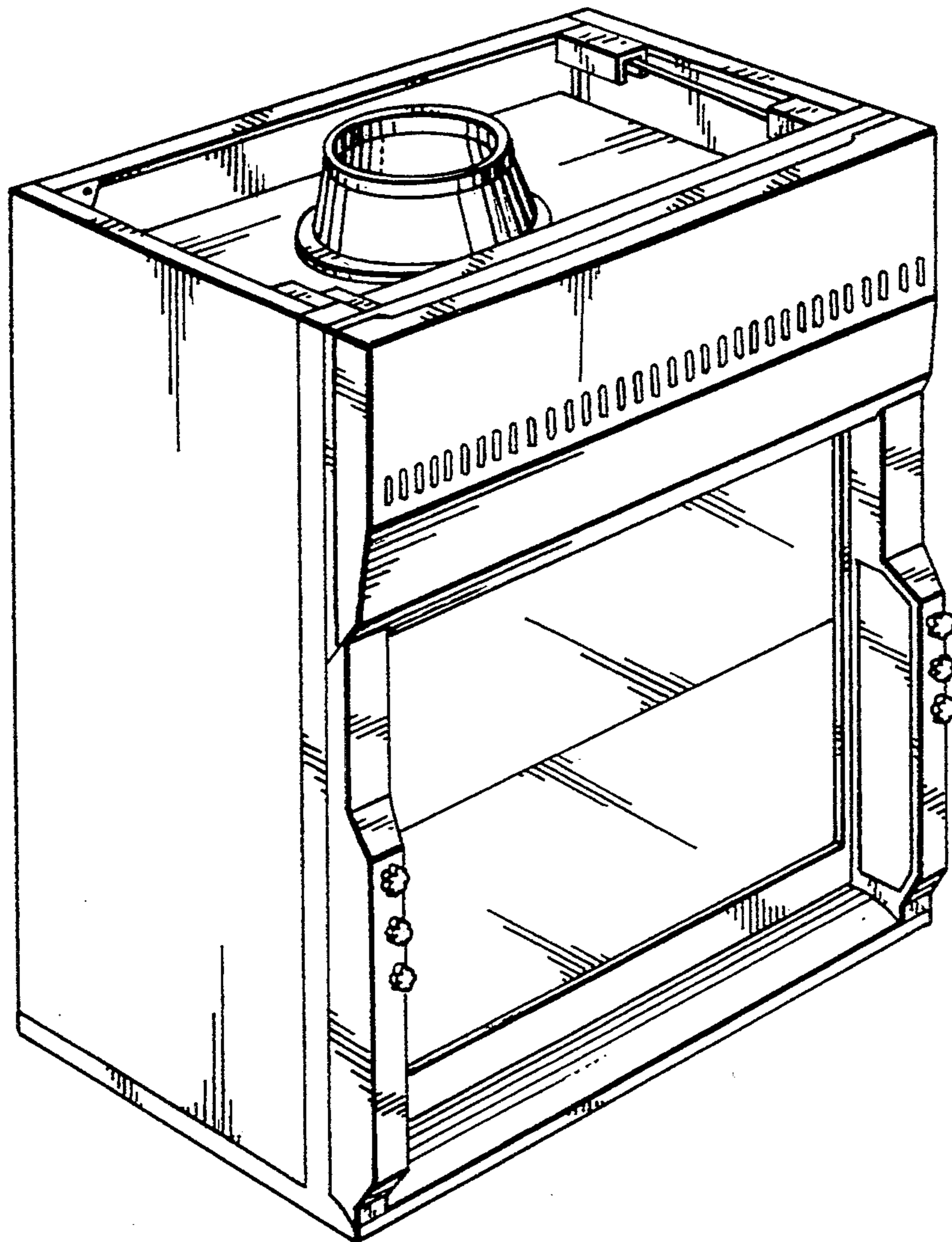
DESCRIPTION

[22] Filed: **Aug. 19, 1993**

[52] U.S. Cl. **D23/371**

[58] Field of Search D23/370, 371; 454/56, 454/57

FIG. 1 is a perspective view of the fume hood illustrating our new design;
FIG. 2 is a front elevational view thereof, the opposite side being a mirror image of that shown;
FIG. 3 is a side elevational view thereof;
FIG. 4 is a rear elevational view thereof; and,
FIG. 5 is a top plan view thereof.



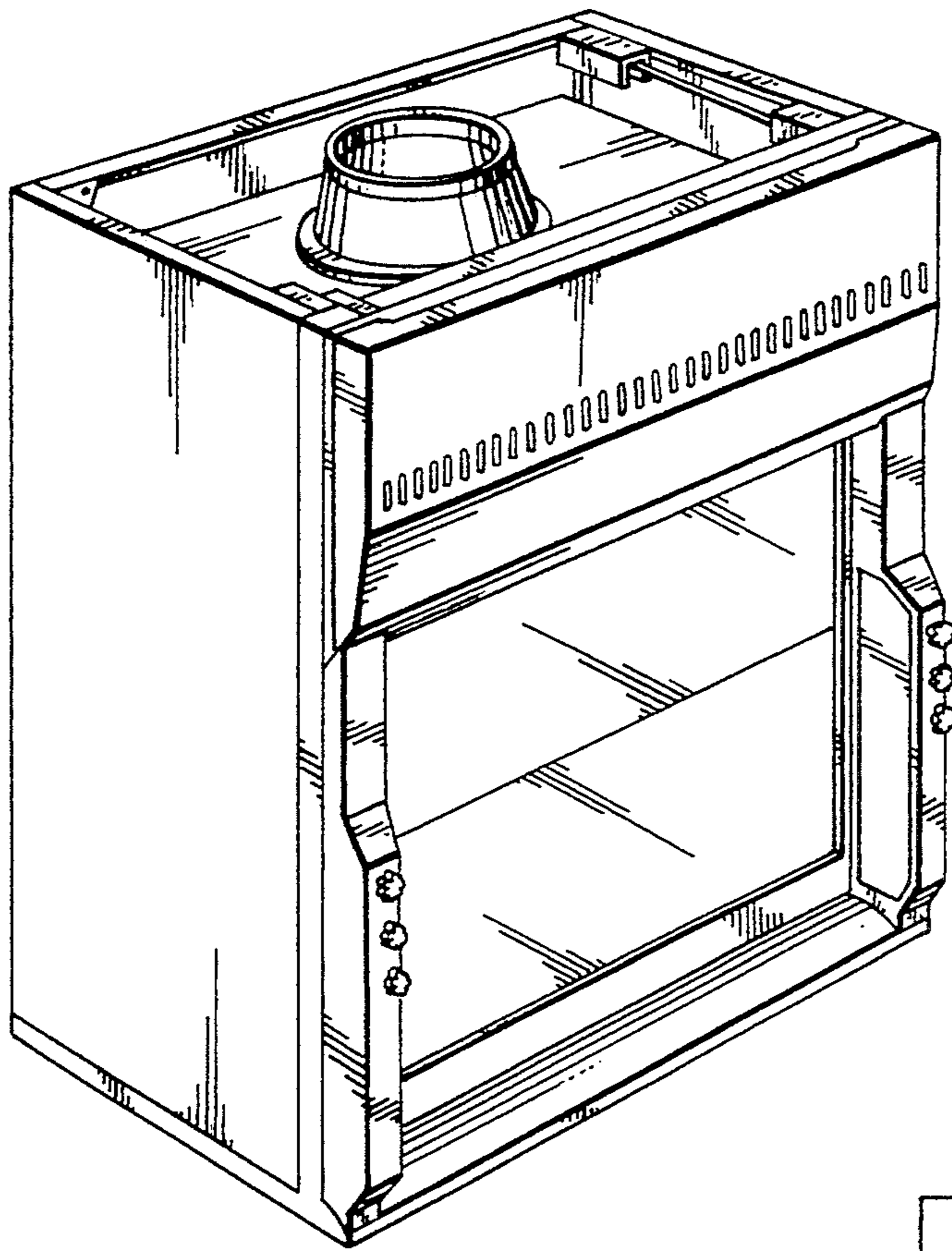


Fig. 1.

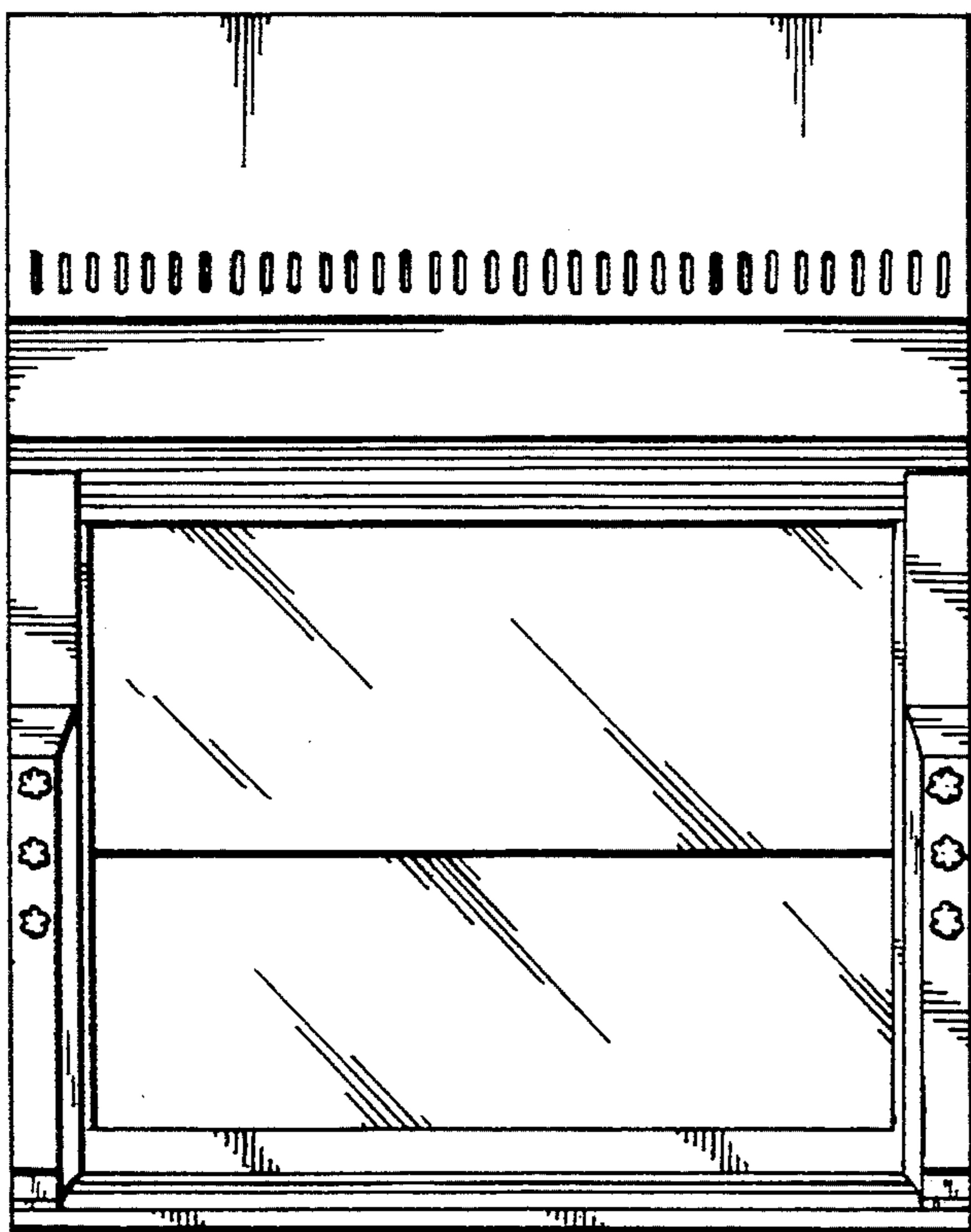
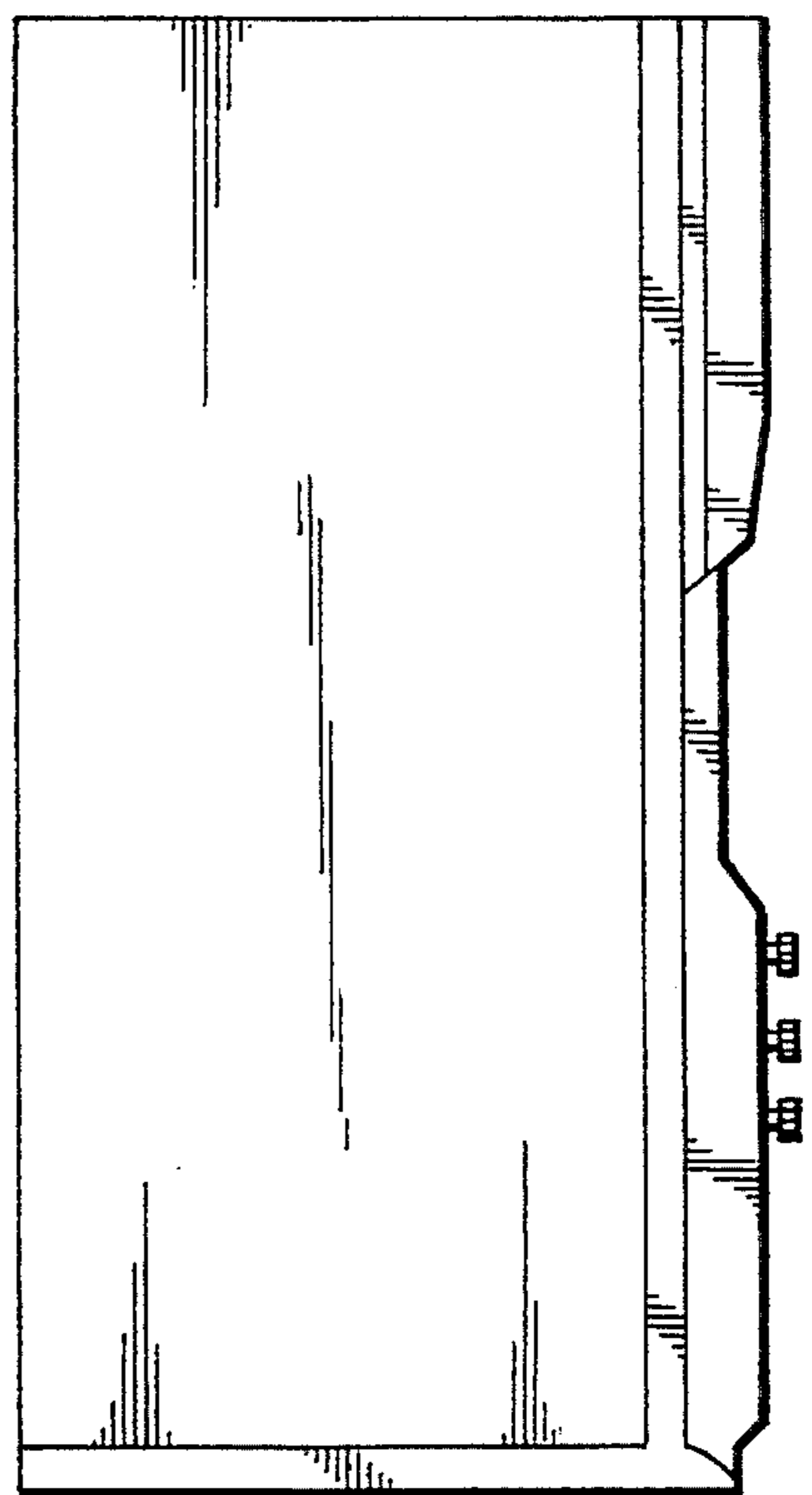


Fig. 2.

Fig. 3.



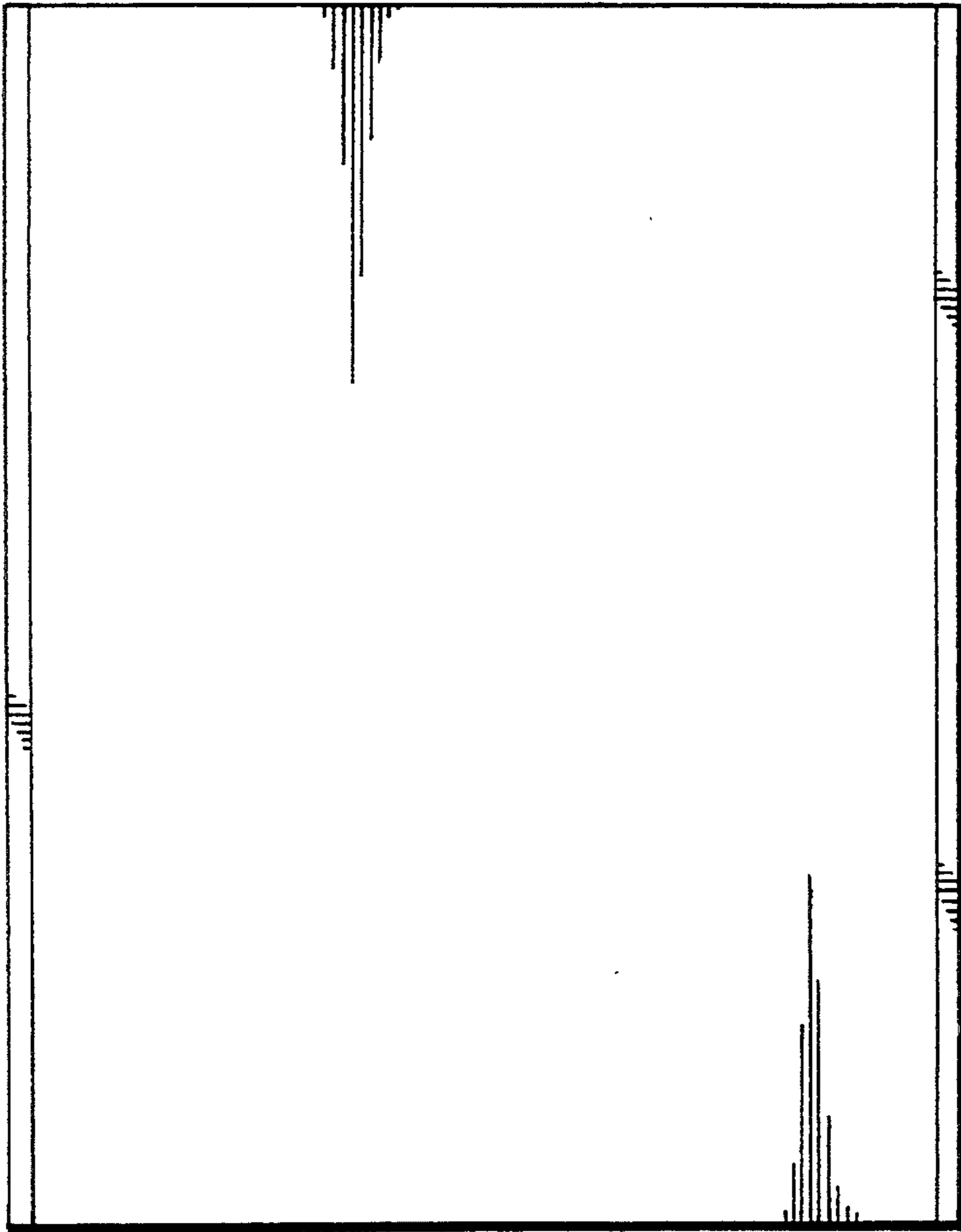


Fig. 4.

Fig. 5.

