



US00D360680S

United States Patent [19]

[11] Patent Number: **Des. 360,680**

Natalizia et al.

[45] Date of Patent: **** Jul. 25, 1995**

[54] **WATER FAUCET ASSEMBLY**

[75] Inventors: **Mark L. Natalizia, Rialto; Tan T. Pham, Glendale, both of Calif.**

[73] Assignee: **Adams Rite Sabre International, Glendale, Calif.**

[**] Term: **14 Years**

[21] Appl. No.: **25,607**

[22] Filed: **Jul. 7, 1994**

[52] U.S. Cl. **D23/241**

[58] Field of Search **D23/238-243, D23/255-258; 4/623, 675-678; 137/801, 216, 606, 625.17**

D. 213,875 4/1969 Young D23/238
 D. 229,495 12/1973 Landell D23/241
 D. 315,786 3/1991 Pilolla et al. D23/255
 D. 344,575 2/1994 Hill et al. D23/255

Primary Examiner—Louis Zarfes
Assistant Examiner—Eric Watterson
Attorney, Agent, or Firm—Knobbe, Martens, Olson & Bear

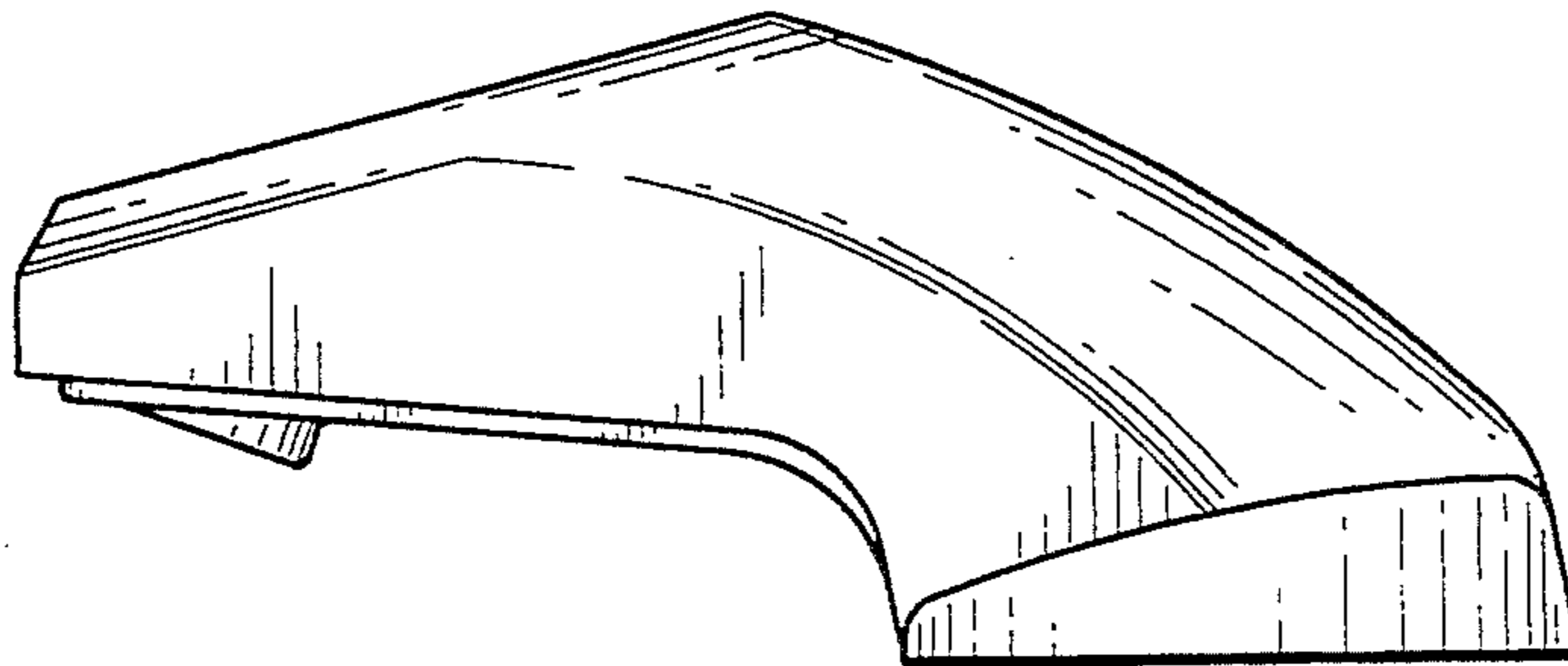
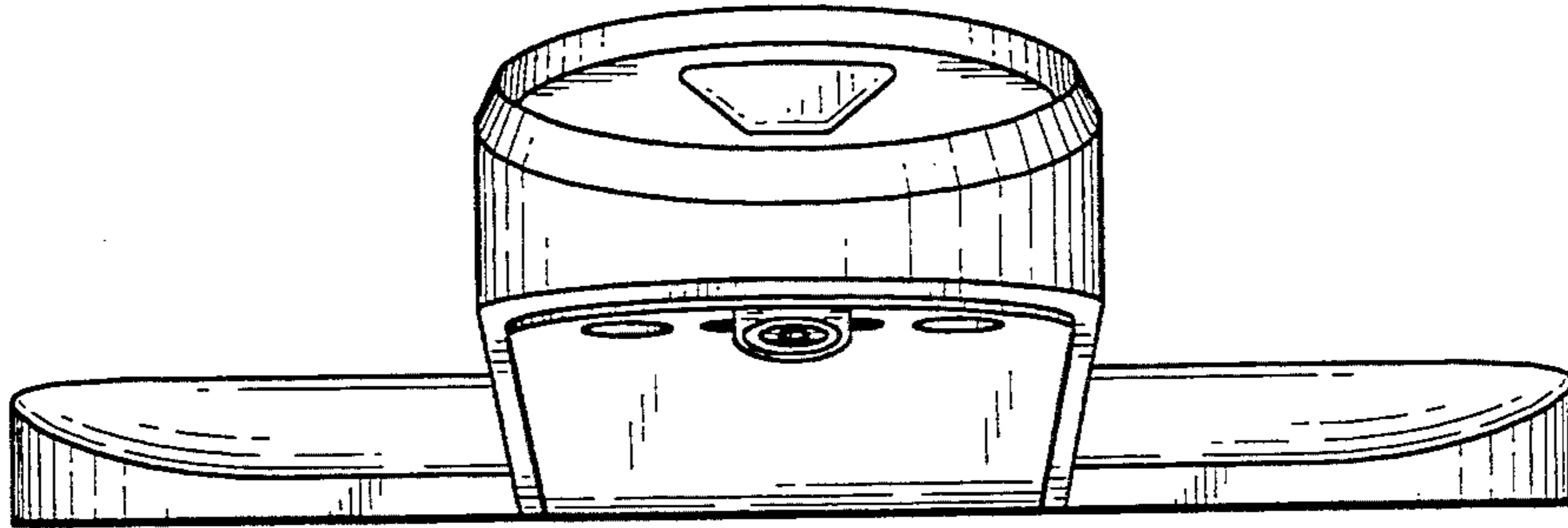
[57] CLAIM

The ornamental design for a water faucet assembly, as shown and described.

DESCRIPTION

FIG. 1 is a top plan view of the water faucet assembly; FIG. 2 is a front elevational view thereof; FIG. 3 is a bottom plan view thereof; FIG. 4 is a right side elevational view which is a mirror image of the left side elevational view thereof; and, FIG. 5 is a rear elevational view thereof.

[56] **References Cited**
U.S. PATENT DOCUMENTS
 D. 207,576 5/1967 Armstrong D23/241



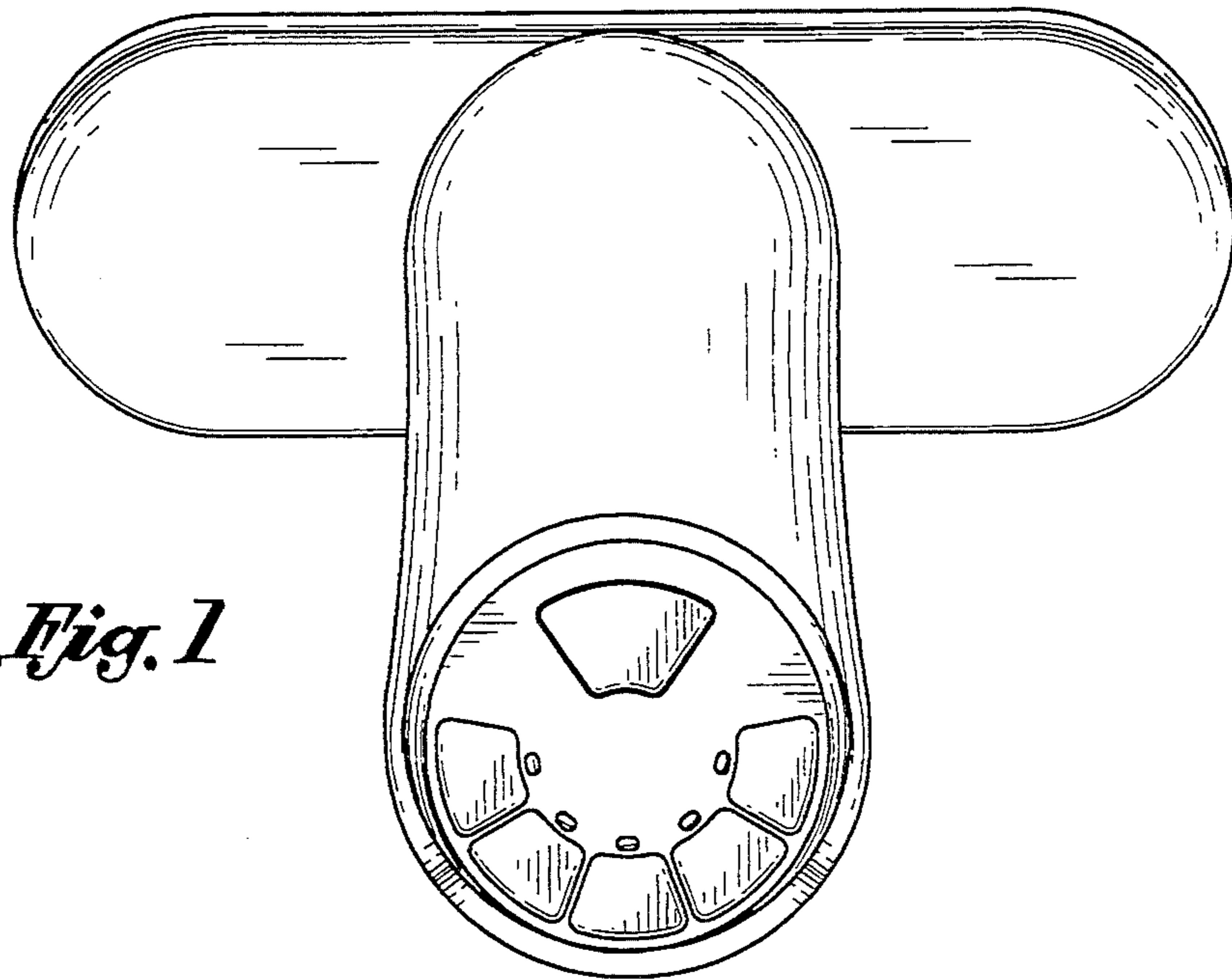


Fig. 1

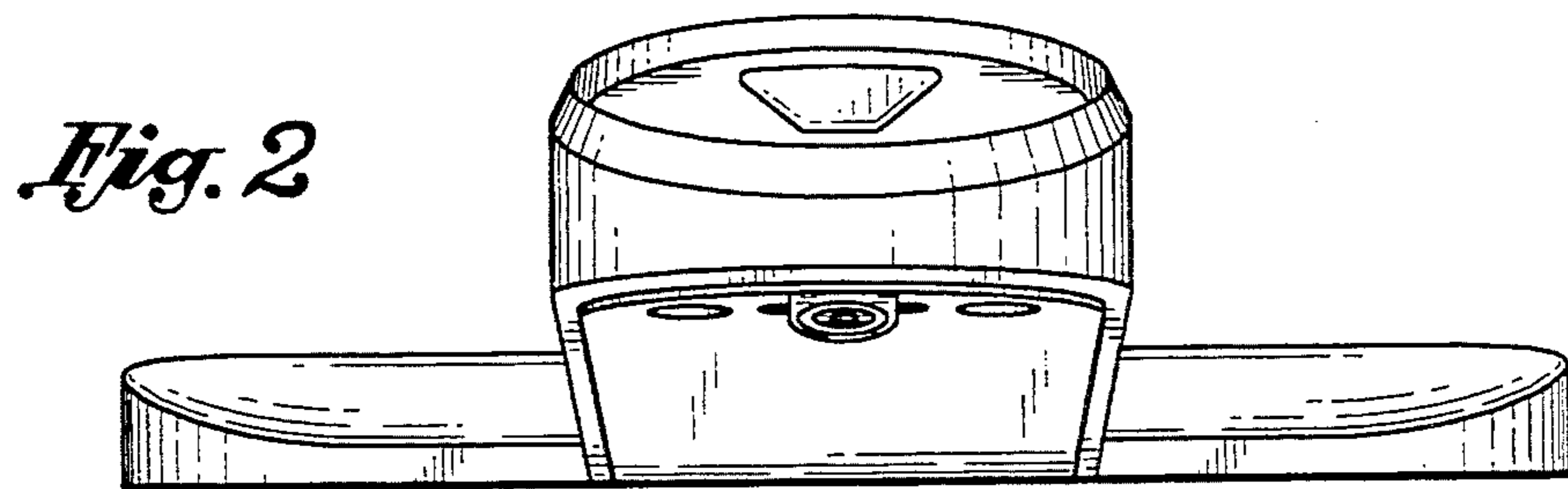


Fig. 2

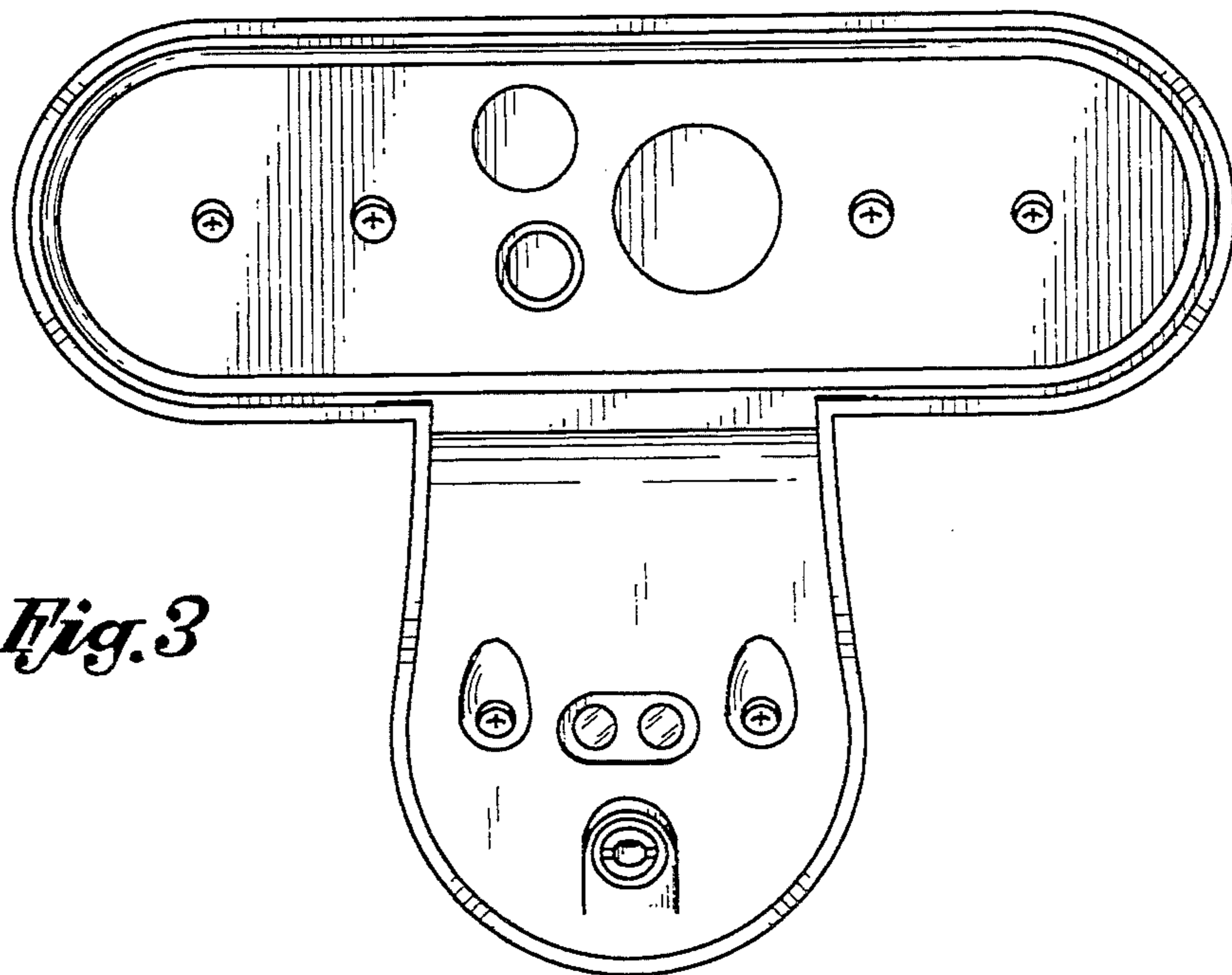


Fig. 3

Fig. 4

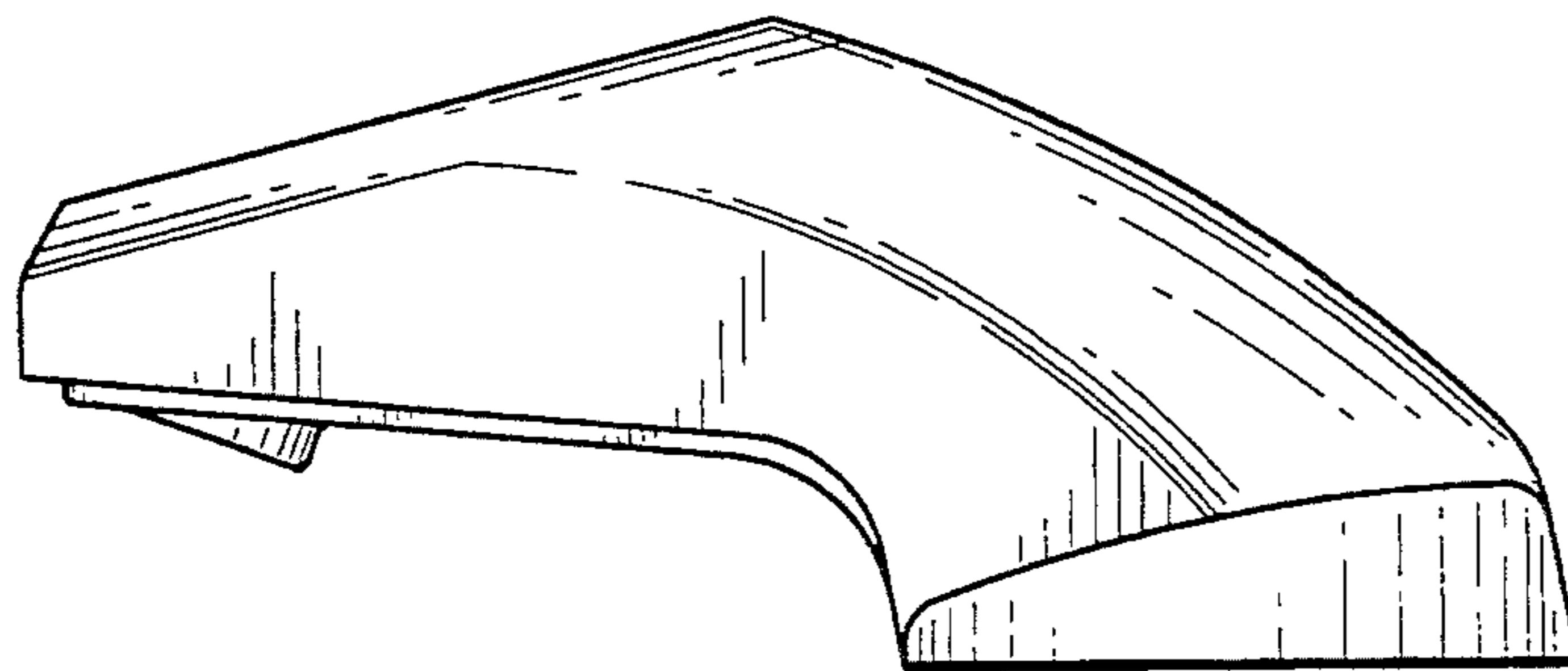


Fig. 5

