



US00D360679S

United States Patent [19]

[11] Patent Number: **Des. 360,679**

Doughty et al.

[45] Date of Patent: **** Jul. 25, 1995**

[54] **FAUCET BODY**

[75] Inventors: **Frederic C. Doughty**, S. Pasadena;
Darren M. Mark, Castaic, both of Calif.

[73] Assignee: **Emhart Inc.**, Newark, Del.

[**] Term: **14 Years**

[21] Appl. No.: **18,152**

[22] Filed: **Jan. 31, 1994**

[52] U.S. Cl. **D23/241**

[58] Field of Search **D23/238-243,**
D23/255-258; 137/801; 4/675-678, 191, 192,
193

[56] **References Cited**

U.S. PATENT DOCUMENTS

D. 203,246	12/1965	Harvey	D23/238
D. 207,044	2/1967	Hurwitz	.	
D. 219,779	1/1971	Tiller	D23/238
D. 235,546	6/1975	Landell	.	
D. 260,677	9/1981	Thevenot	.	
D. 284,993	8/1986	Yost	.	
D. 290,492	6/1987	Hill et al.	D23/238
D. 296,461	6/1988	Yost	.	
3,242,330	3/1966	Schoffer	.	
4,804,010	2/1989	Meissenburg	4/675 X

FOREIGN PATENT DOCUMENTS

33380 1/1971 Canada .

Primary Examiner—Stella Reid

Assistant Examiner—Eric Watterson

Attorney, Agent, or Firm—J. Bruce Hoofnagle

[57] **CLAIM**

The ornamental design for a faucet body, as shown and described.

DESCRIPTION

FIG. 1 is a front view of our new design of a faucet body, a rear view of our new design of the faucet body being a mirror image of the front view thereof;

FIG. 2 is a top view of our new design of the faucet body;

FIG. 3 is a bottom view of our new design of the faucet body;

FIG. 4 is a left side view of our new design of the faucet body, a right side view of our new design of the faucet body being a mirror image of the left side view thereof; and,

FIG. 5 is a perspective view of our new design of the faucet body.

The broken line representation of knobs, spout and hub from which the spout extends in FIG. 5 are for the purposes of illustration only and form no part of the claimed design.

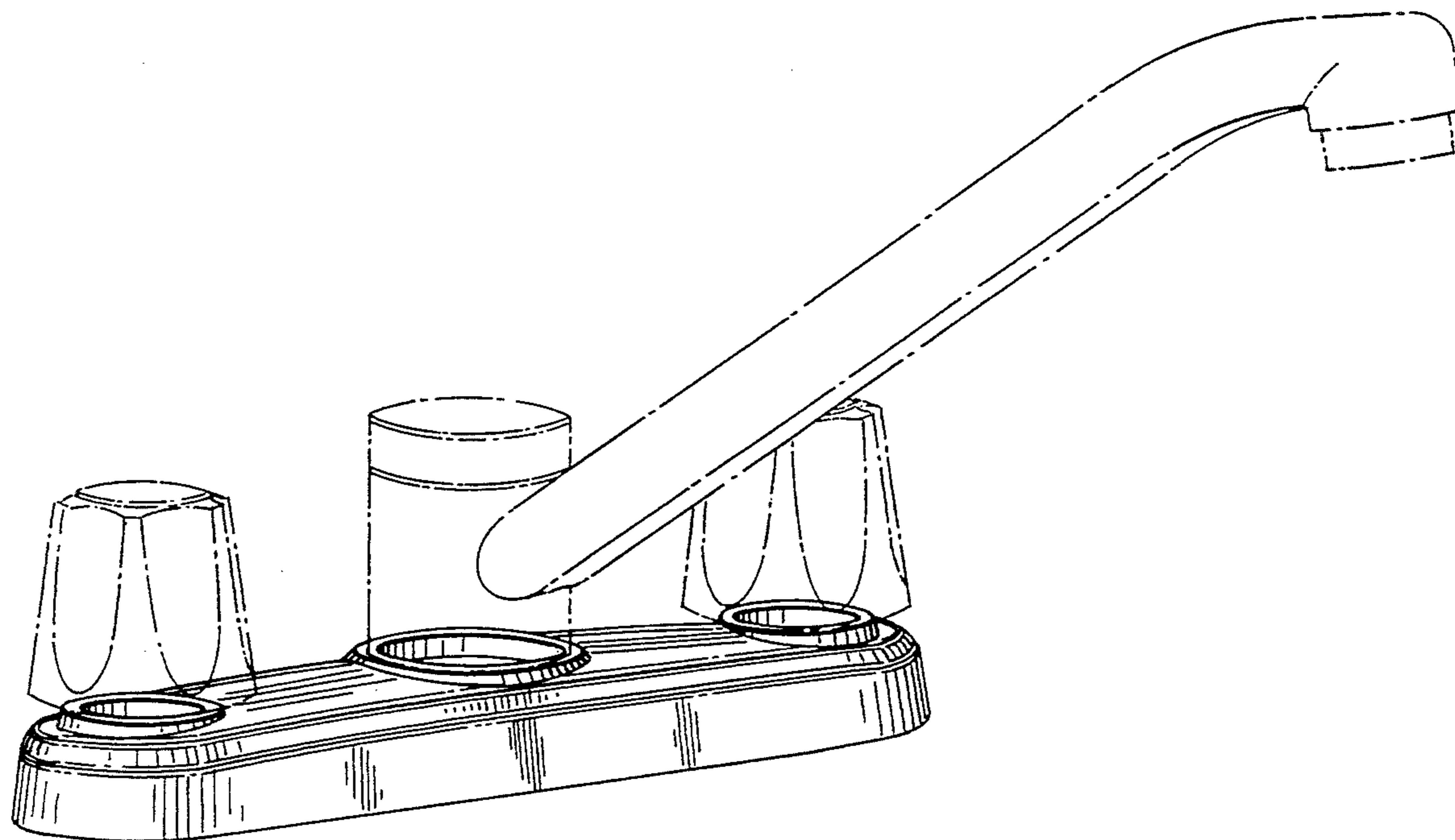


FIG. 1

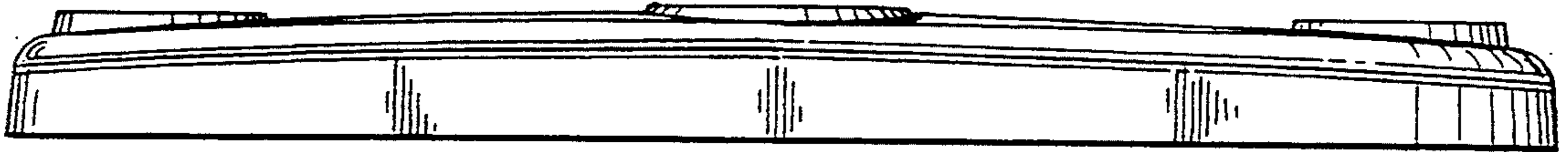


FIG. 2

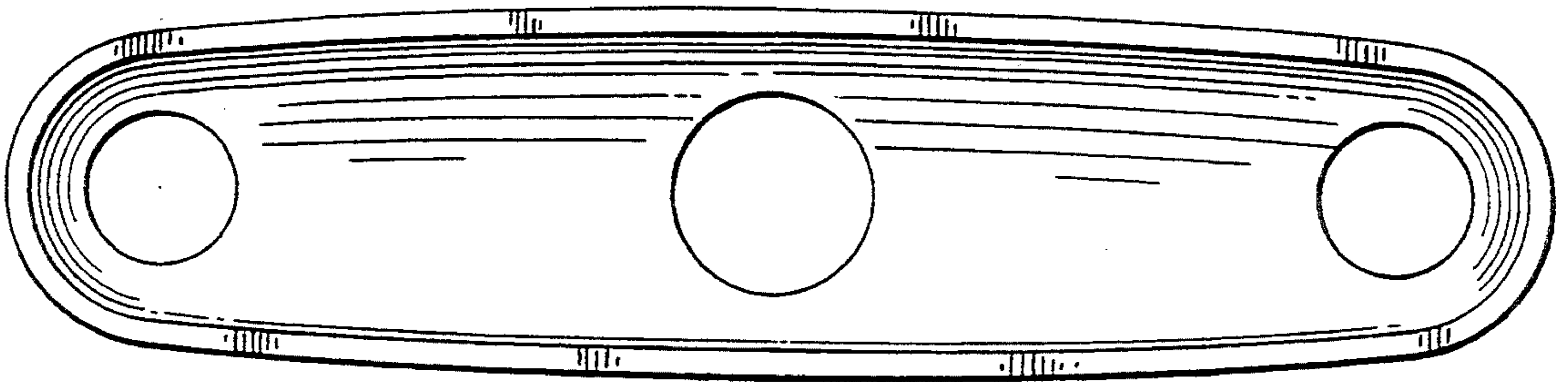
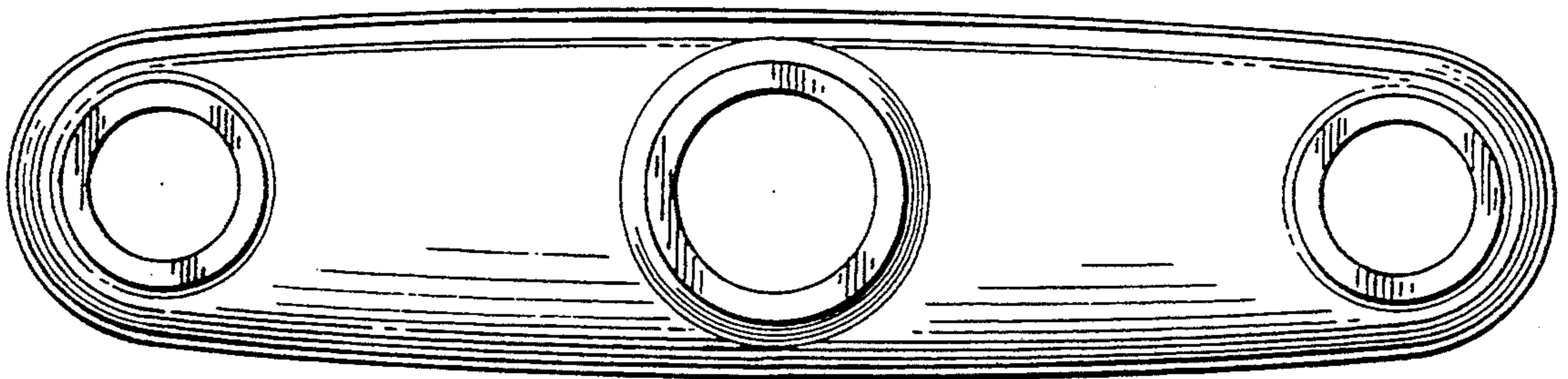


FIG. 3

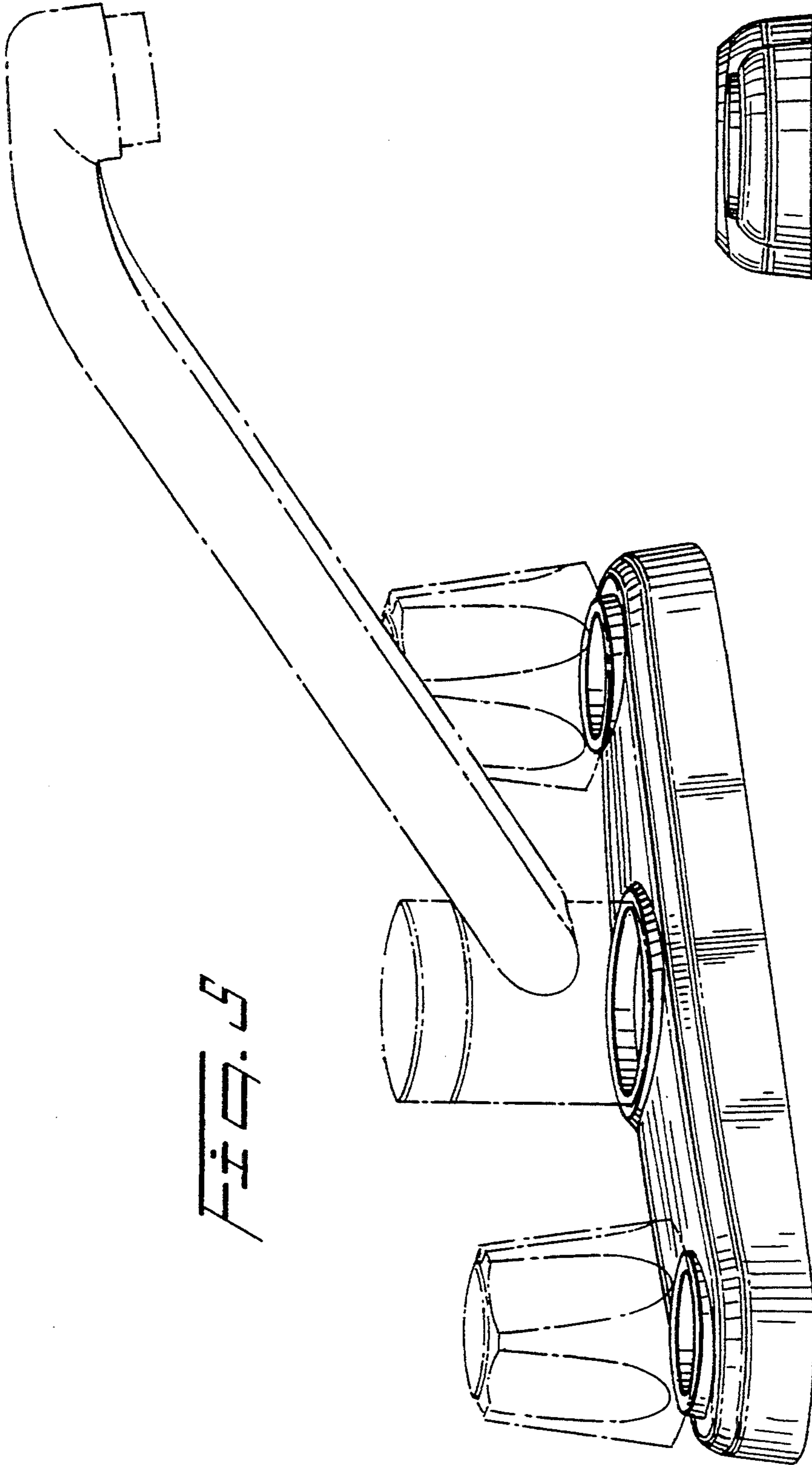


FIG. 5

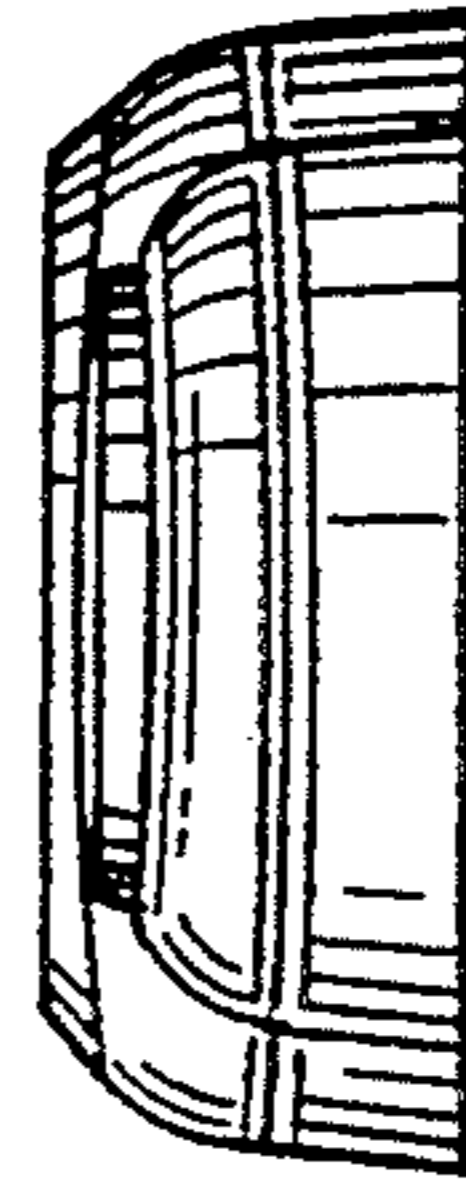


FIG. 4