



US00D360678S

United States Patent [19] Mine

[11] Patent Number: Des. 360,678

[45] Date of Patent: ** Jul. 25, 1995

[54] **INFRARED FAUCET**

[75] Inventor: Yukio Mine, Kitakyushu, Japan

[73] Assignee: Toto Ltd., Kitakyushu, Japan

[**] Term: 14 Years

[21] Appl. No.: 27,604

[22] Filed: Aug. 25, 1994

[30] **Foreign Application Priority Data**

Feb. 25, 1994 [JP] Japan 6-4707

[52] U.S. Cl. D23/238

[58] Field of Search D23/238-243,
D23/255-258; 4/623, 675-678; 137/801, 216,
606, 625.17

[56] **References Cited**

U.S. PATENT DOCUMENTS

3,638,680	2/1972	Kopp	4/677	X R
4,767,922	8/1988	Stauffer	4/623	
4,826,129	5/1989	Fous et al.	4/623	X R
5,033,715	7/1991	Chiang et al.	4/623	X R

OTHER PUBLICATIONS

TOTO Catalogue, '92-'93, p. 331.

RAS (German magazine), Feb. 1993, p. 6.

RAS, Apr. 1993, pp. 12 and 13.

Sloan Installation Instructions, printed in U.S.A. Jan. 1990.

Primary Examiner—Stella Reid

Assistant Examiner—Eric Watterson

[57] **CLAIM**

The ornamental design for an infrared faucet, as shown and described.

DESCRIPTION

FIG. 1 is a perspective view of an infrared faucet showing my new design;

FIG. 2 is a front elevational view thereof;

FIG. 3 is a rear elevational view thereof;

FIG. 4 is a top plan view thereof;

FIG. 5 is a bottom plan view thereof;

FIG. 6 is a side elevational view thereof, the opposite side being a mirror image thereof; and,

FIG. 7 is a sectional view taken on line 7—7 of FIG. 2.

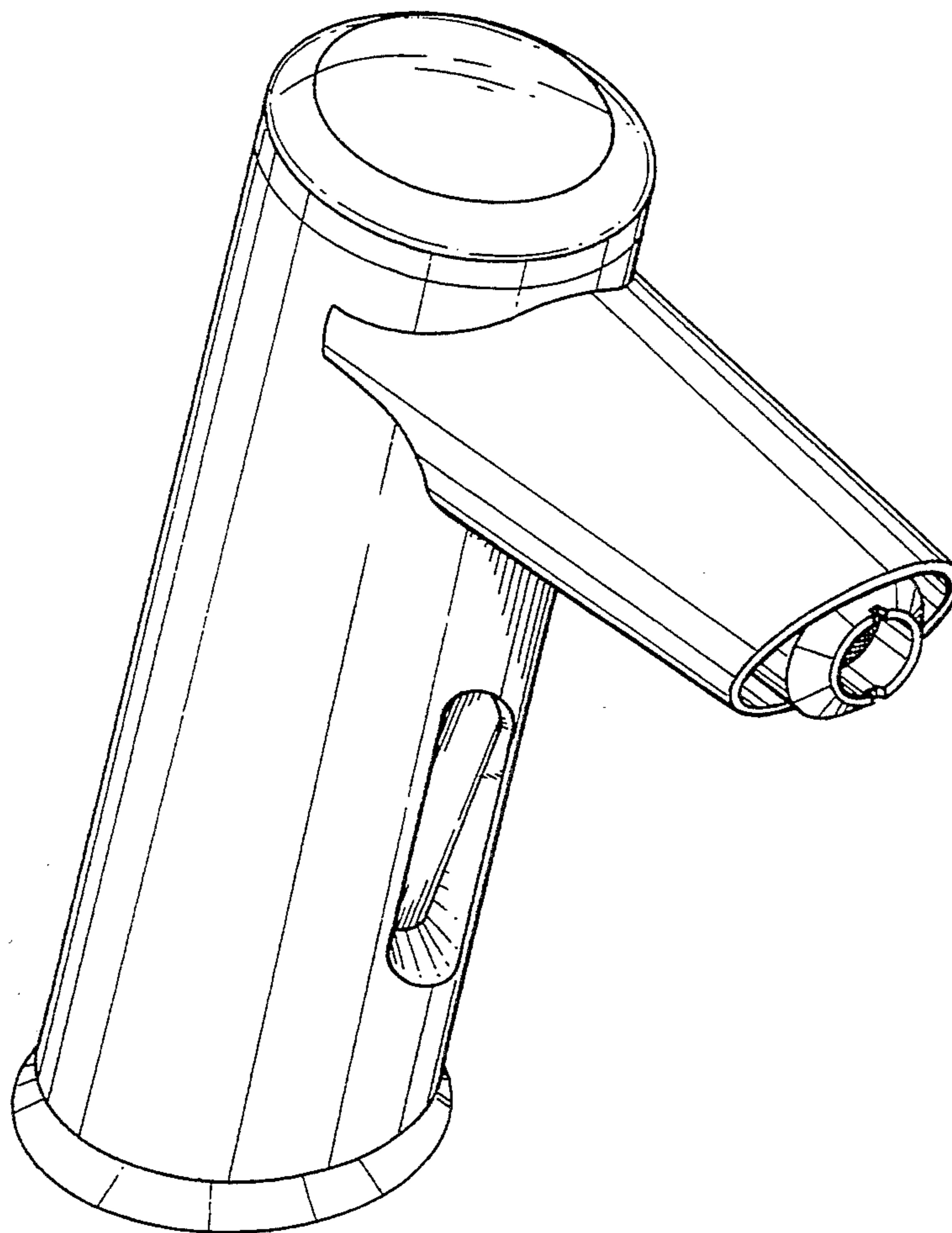


FIG. 1

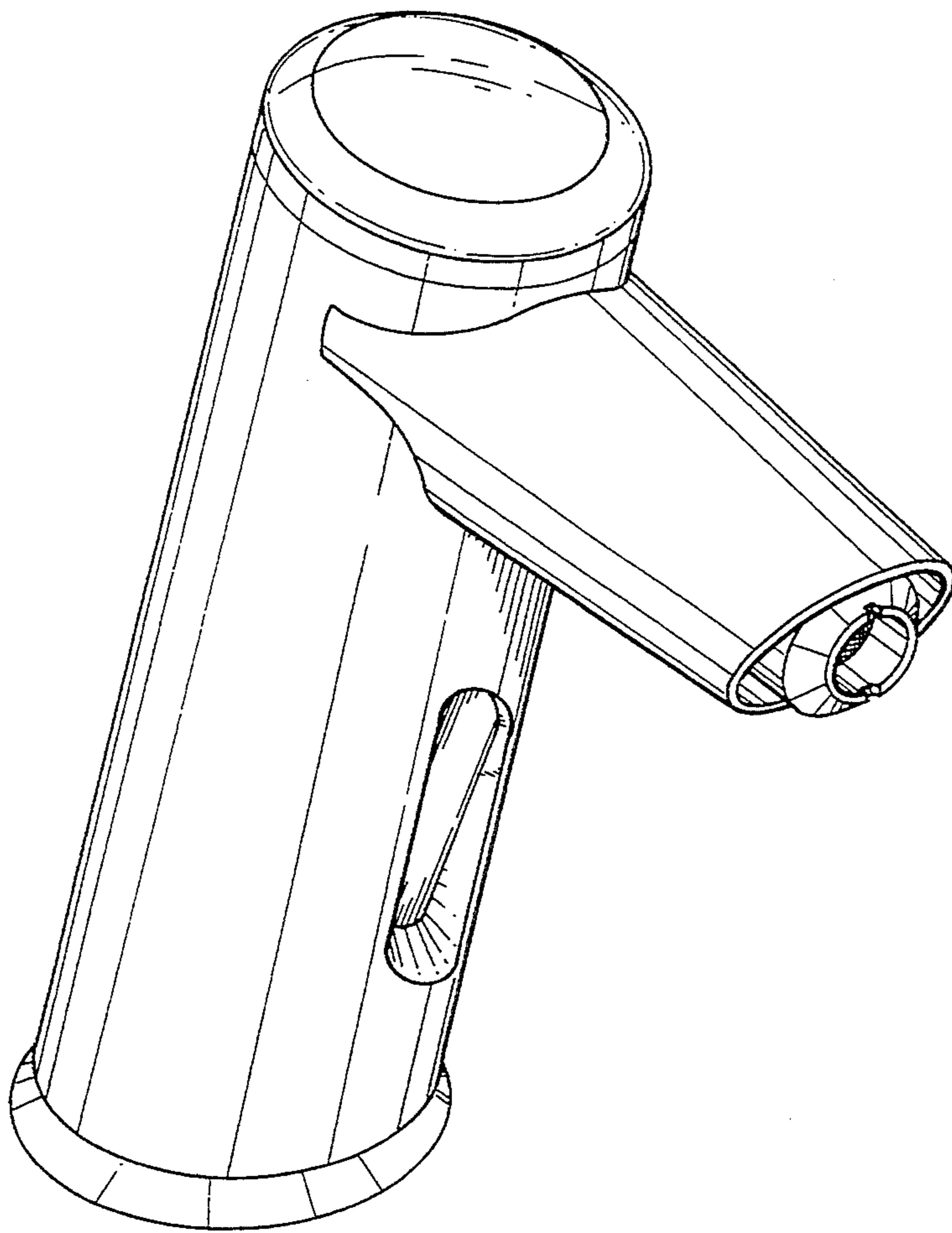


FIG. 2

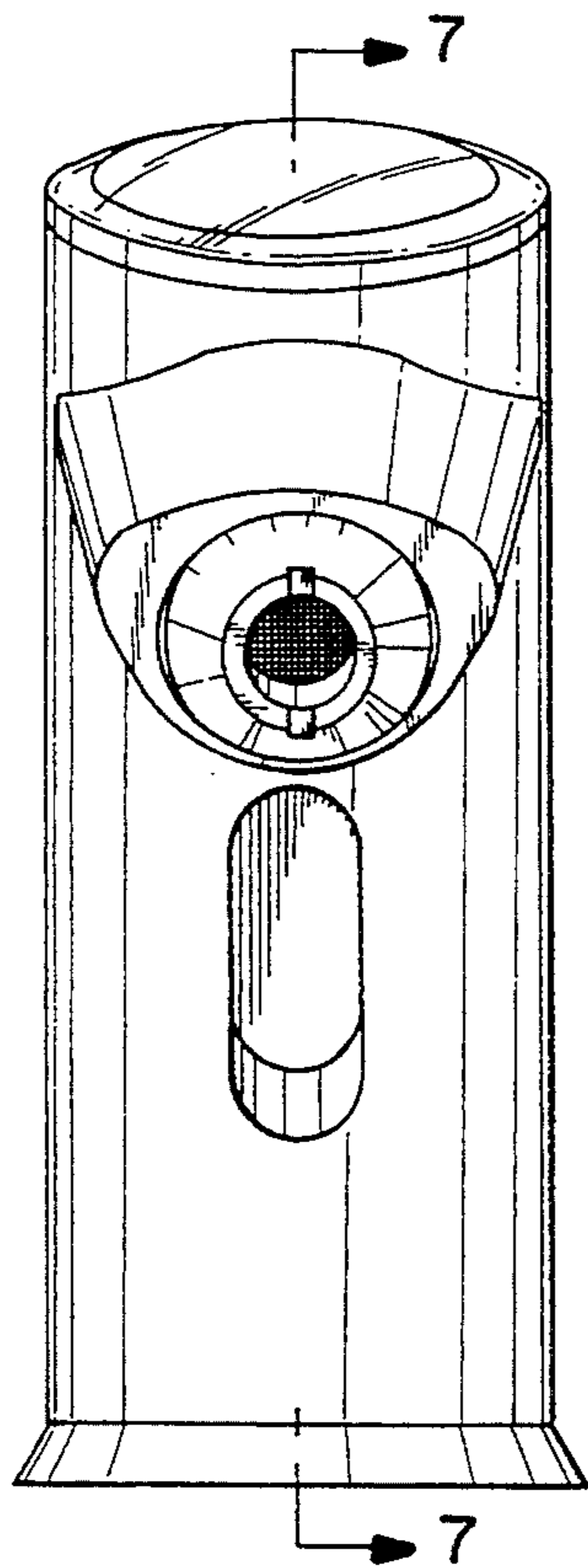


FIG. 3

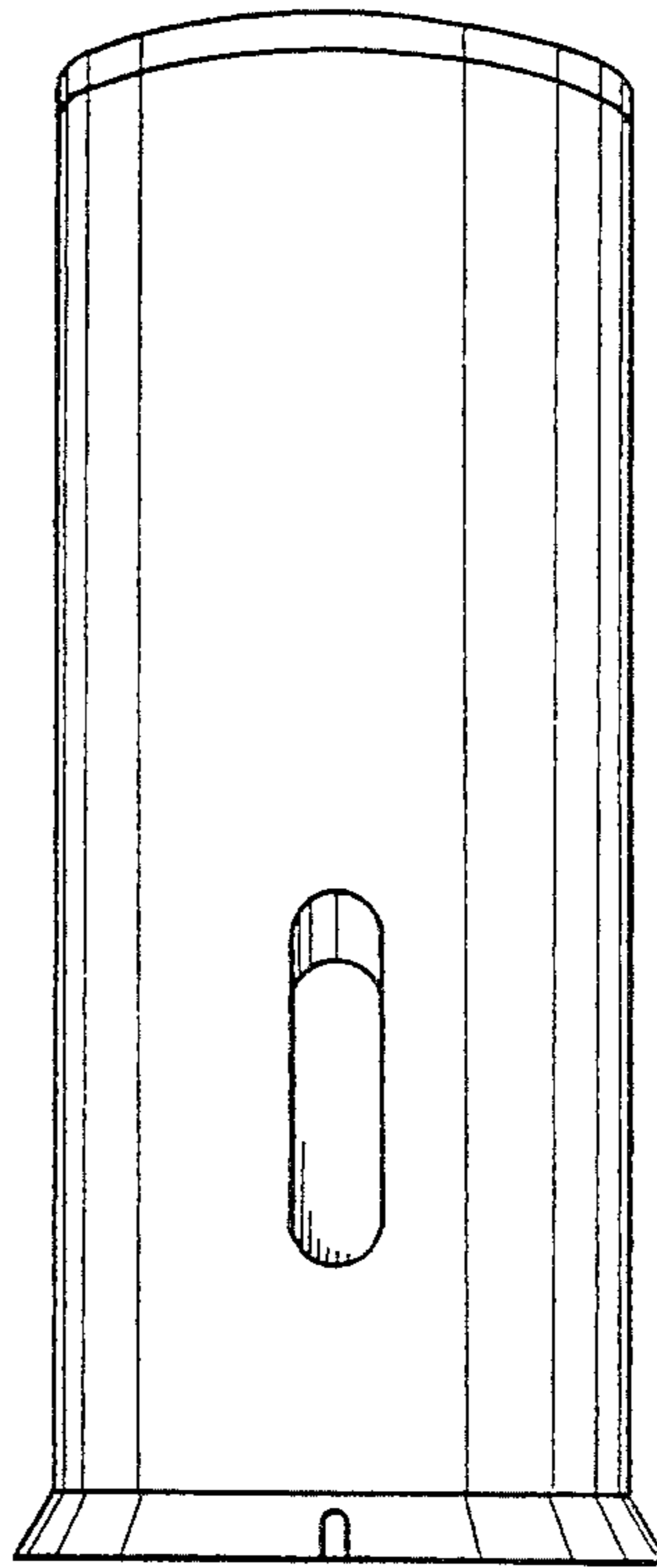


FIG. 4

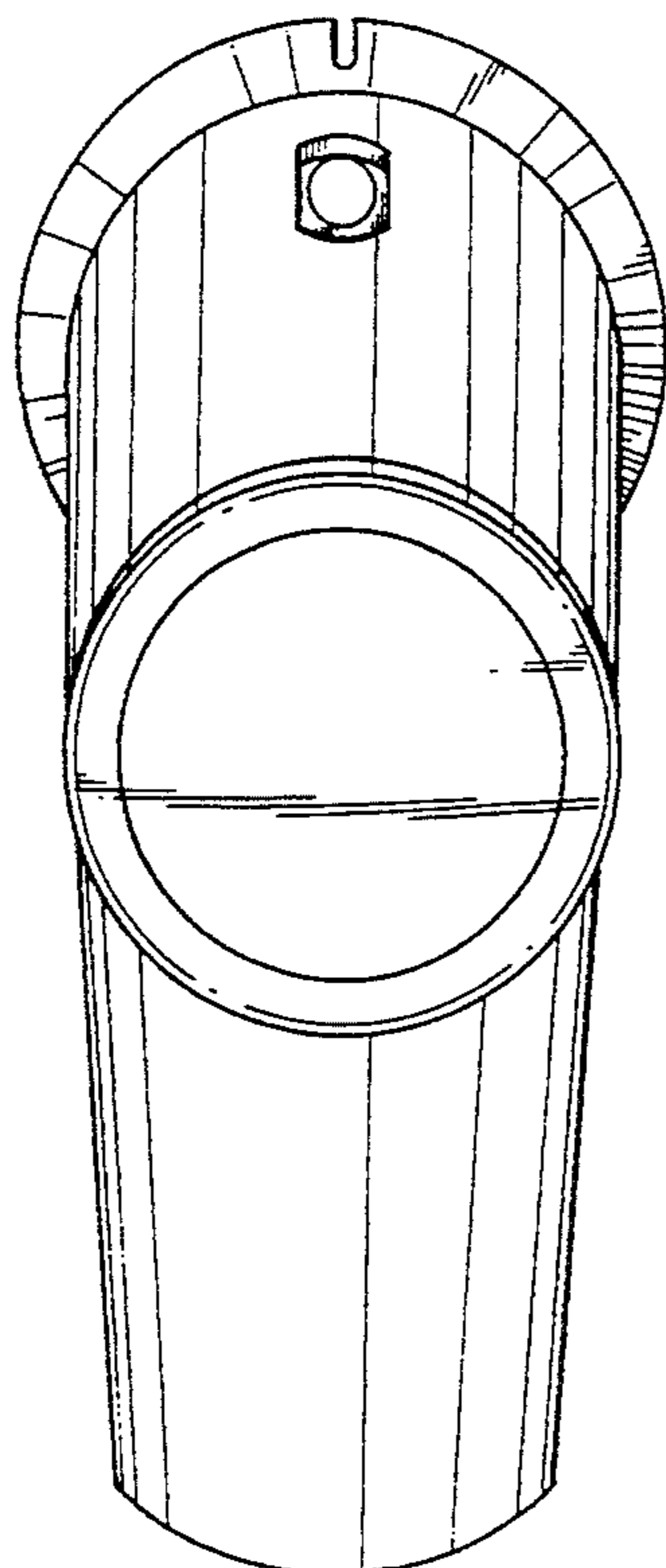
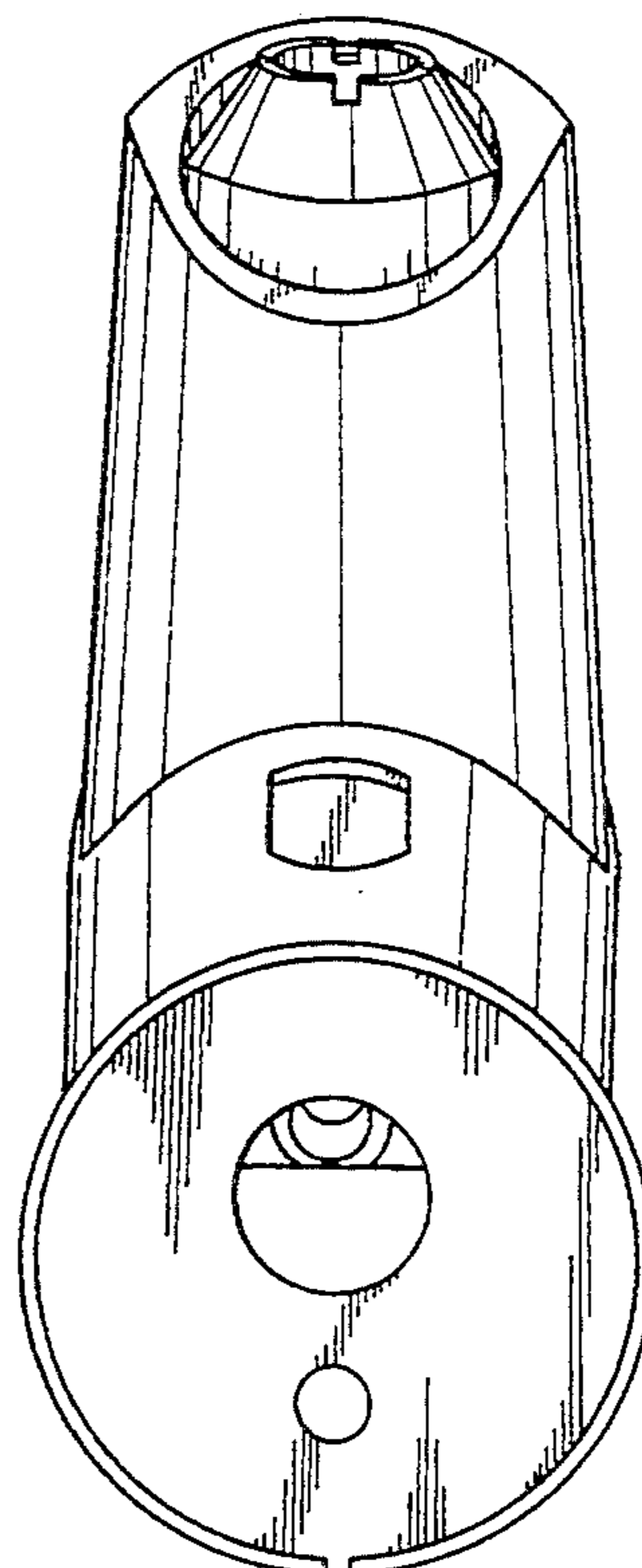


FIG. 5



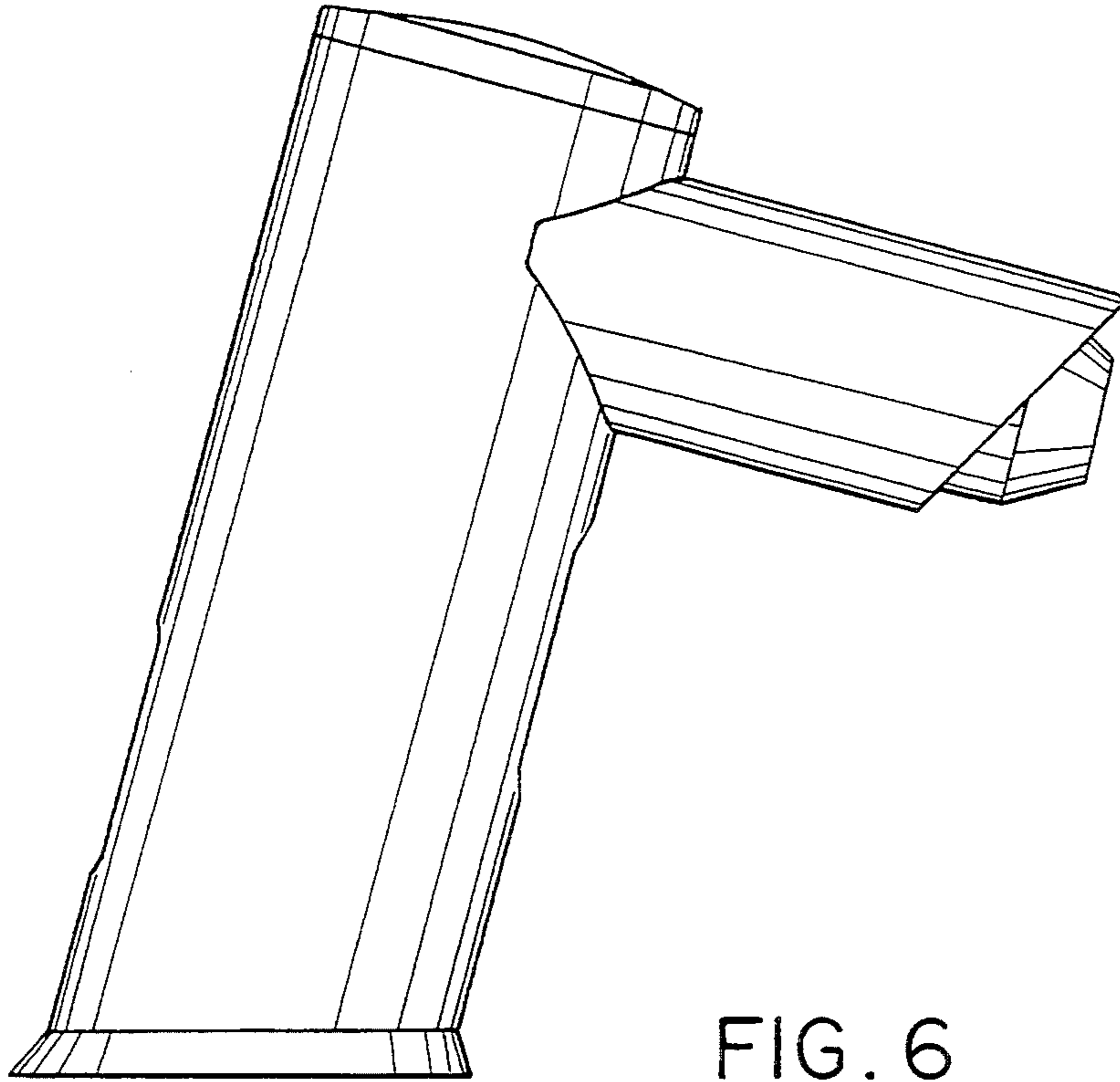


FIG. 6

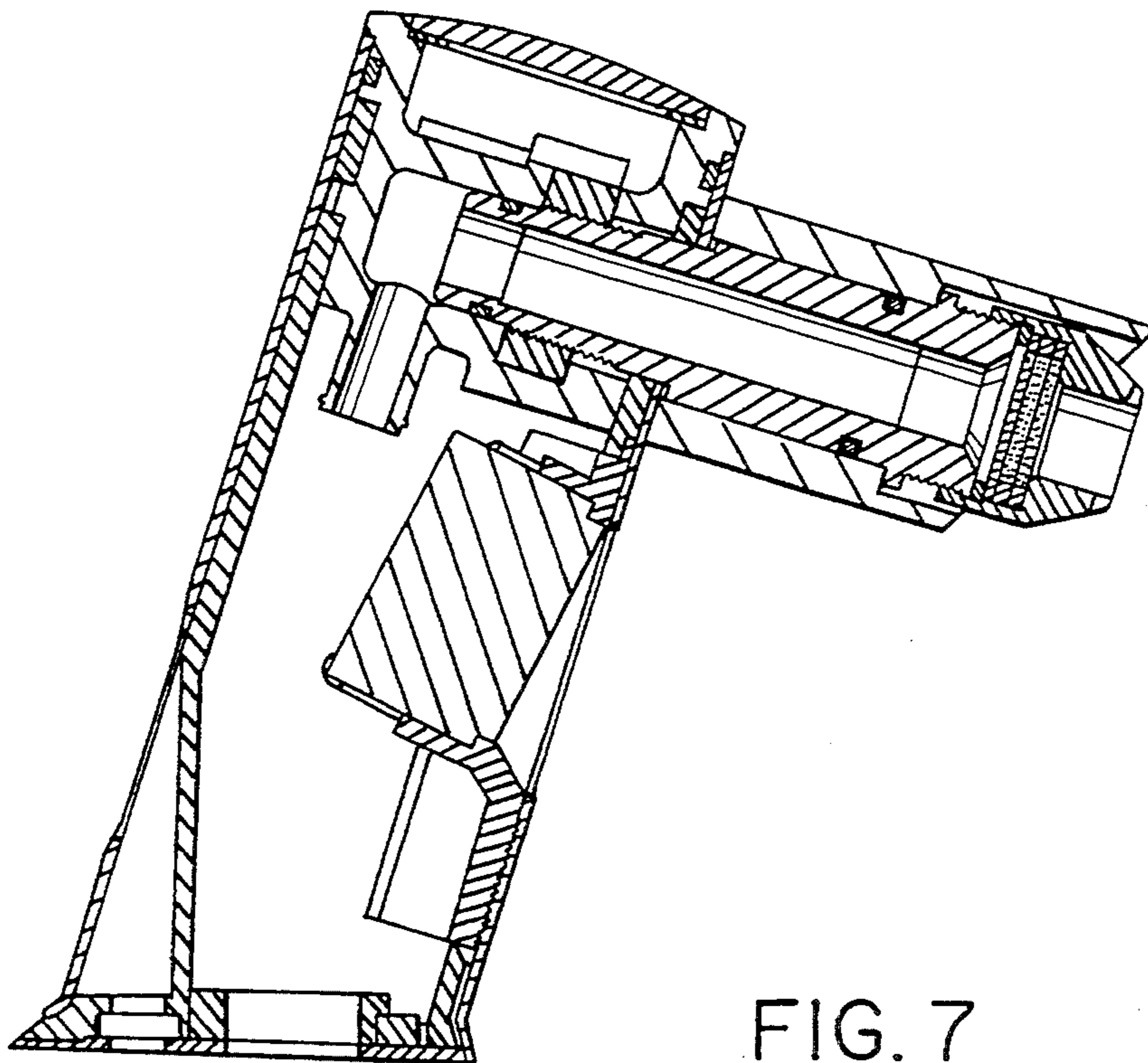


FIG. 7