



US00D360677S

United States Patent [19]

[11] Patent Number: **Des. 360,677**

Ledbetter et al.

[45] Date of Patent: **** Jul. 25, 1995**

[54] **PRESSURE MODULE**

[75] Inventors: **Carl J. Ledbetter**, Lynnwood; **Monte R. Washburn**, Bothell; **Steven W. Fisher**, Edmonds; **Edmond C. Eng**, Kirkland, all of Wash.

[73] Assignee: **Fluke Corporation**, Everett, Wash.

[**] Term: **14 Years**

[21] Appl. No.: **19,371**

[22] Filed: **Mar. 1, 1994**

[52] U.S. Cl. **D23/235**; D10/85

[58] Field of Search D23/234, 235, 236; D10/85, 94, 102, 103; 137/237; 73/431, 722, 723, 708, 753, 756, DIG. 4

[56] **References Cited**

U.S. PATENT DOCUMENTS

- D. 203,920 2/1966 Balsamo D23/235
- D. 318,318 7/1991 Datta et al. D23/235

- D. 339,194 9/1993 Telans et al. D10/85 X
- 4,756,193 7/1988 Luttgen 73/DIG. 4 X
- 4,772,217 9/1988 Petersen 73/753 X

Primary Examiner—A. Hugo Word
Assistant Examiner—Eric Watterson
Attorney, Agent, or Firm—George T. Noe

[57] **CLAIM**

The ornamental design for a pressure module, as shown.

DESCRIPTION

FIG. 1 is a bottom, front, and right side perspective view showing our new design; FIG. 2 is a front elevational view; FIG. 3 is a right side elevational view; FIG. 4 is a left side elevational view; FIG. 5 is a rear elevational view; FIG. 6 is a top plan view; and, FIG. 7 is a bottom plan view thereof.

The broken lines shown are for illustrative purposes only and form no part of the claimed design.

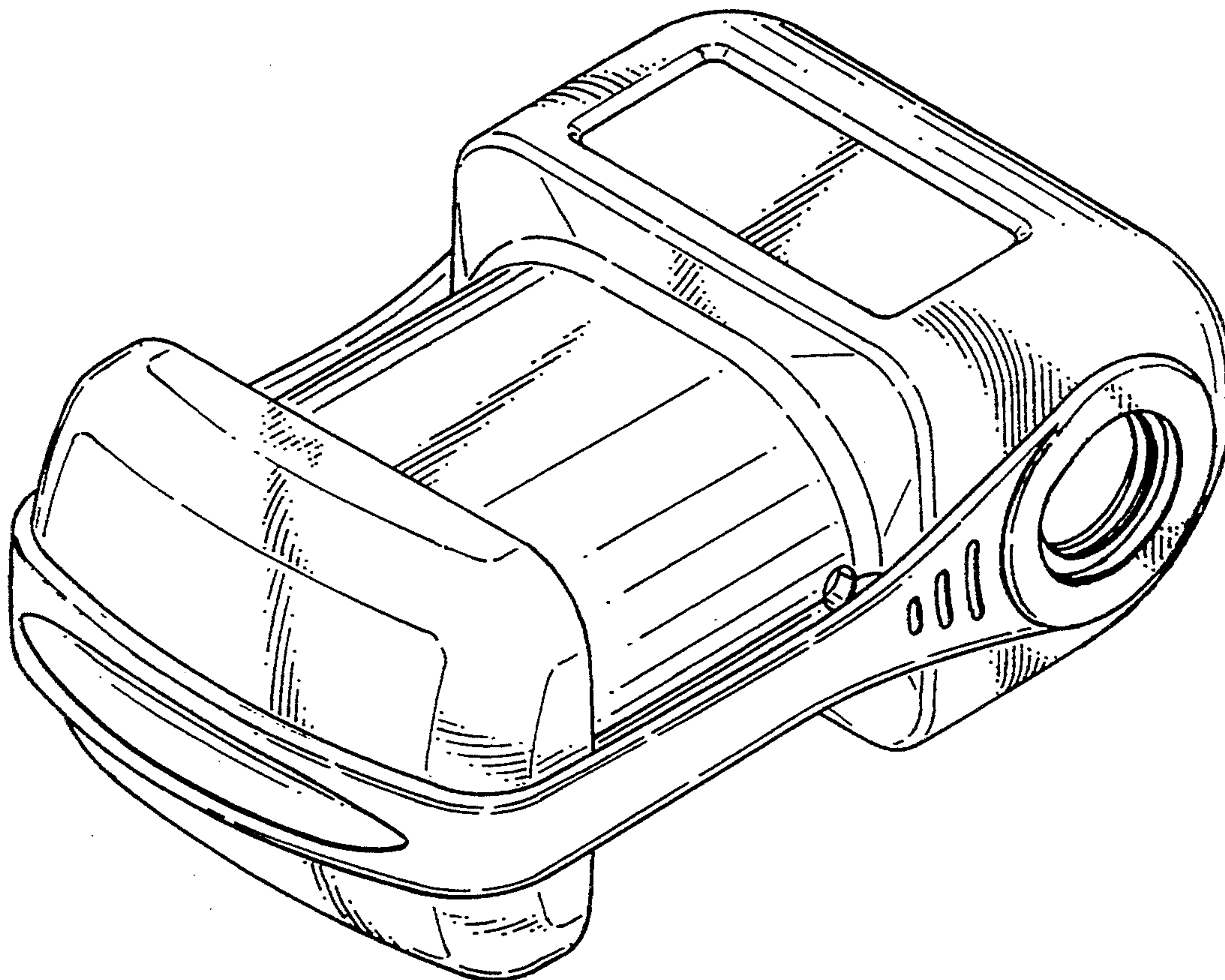


FIG. 1

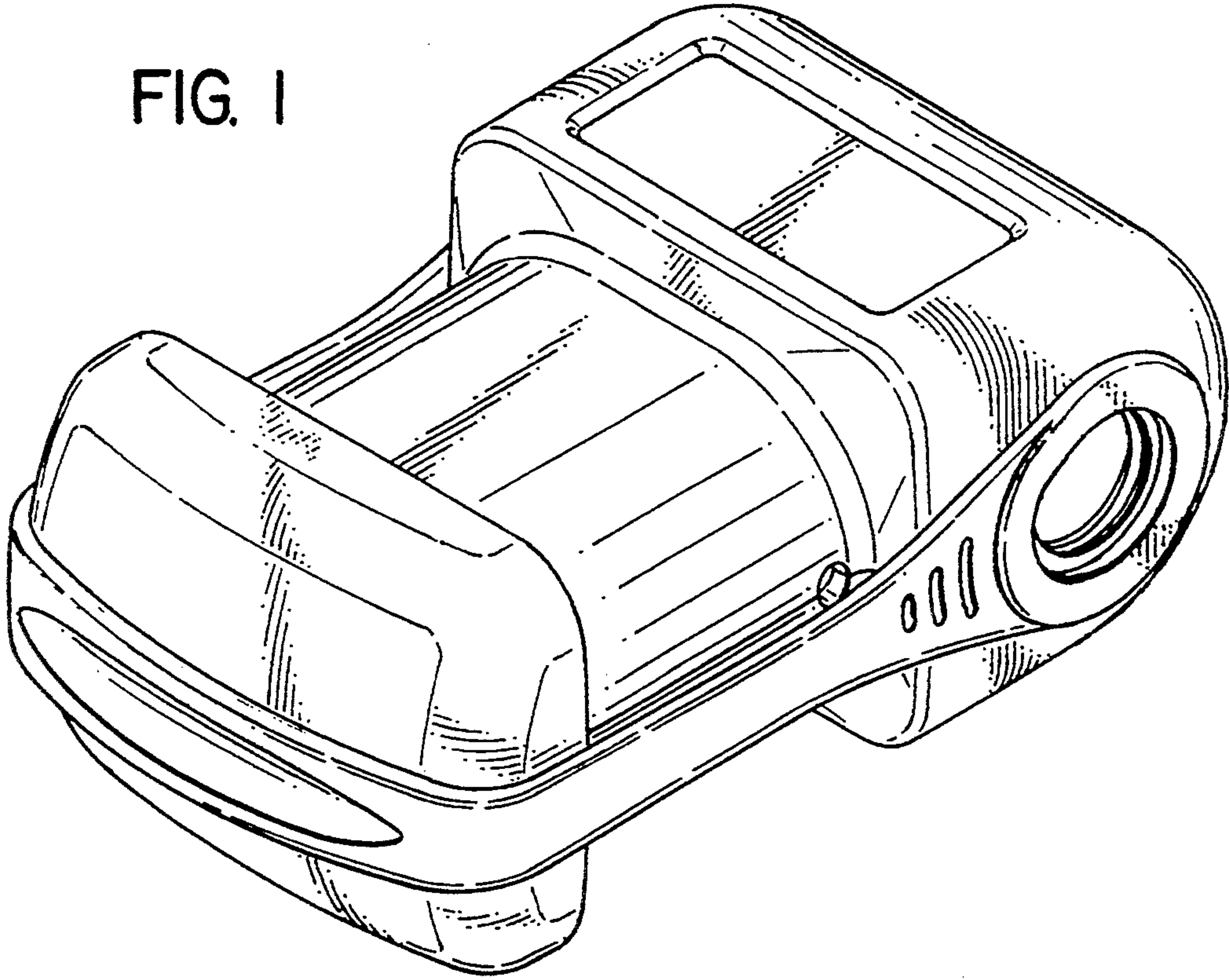


FIG. 2

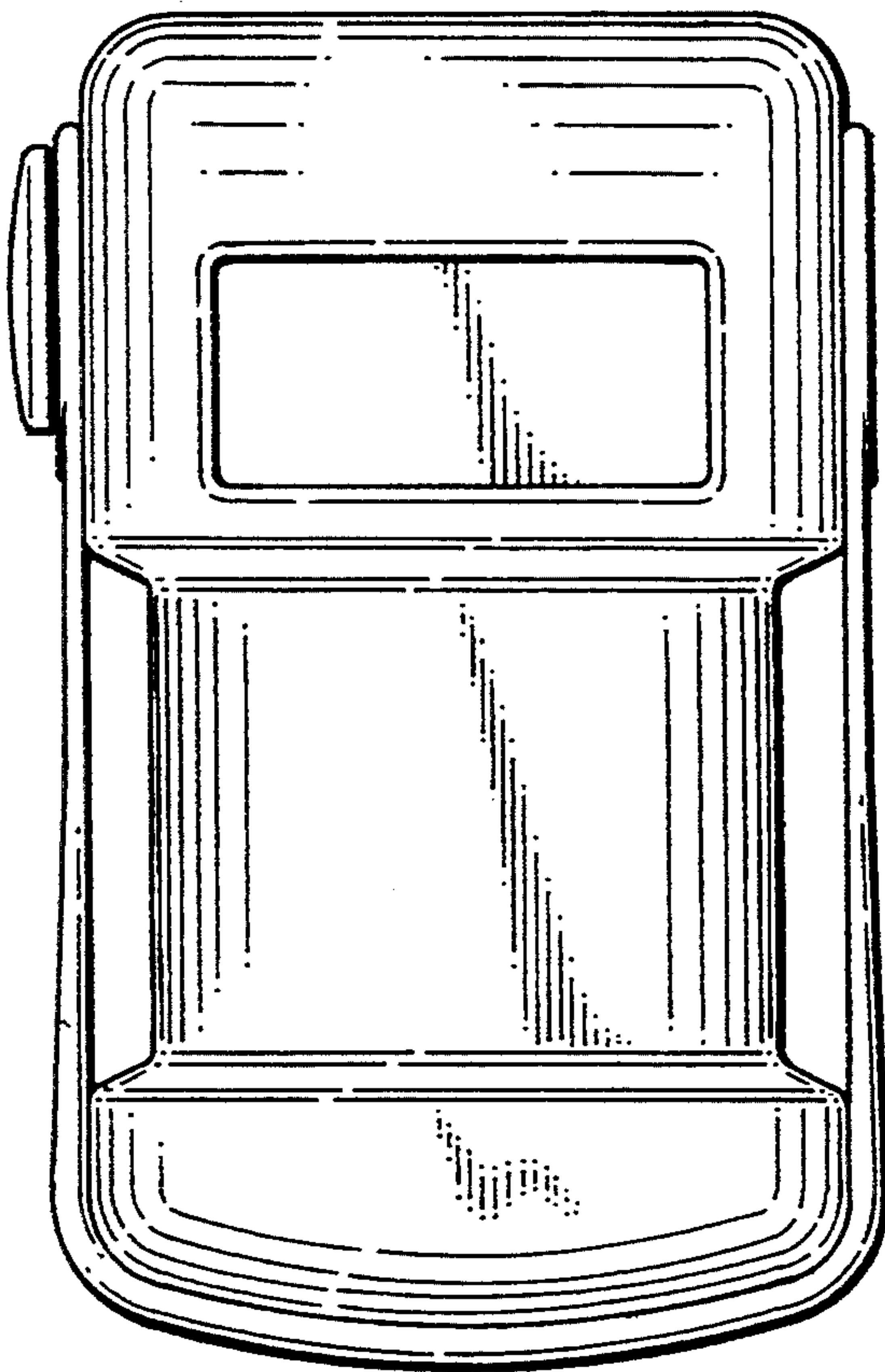


FIG. 3

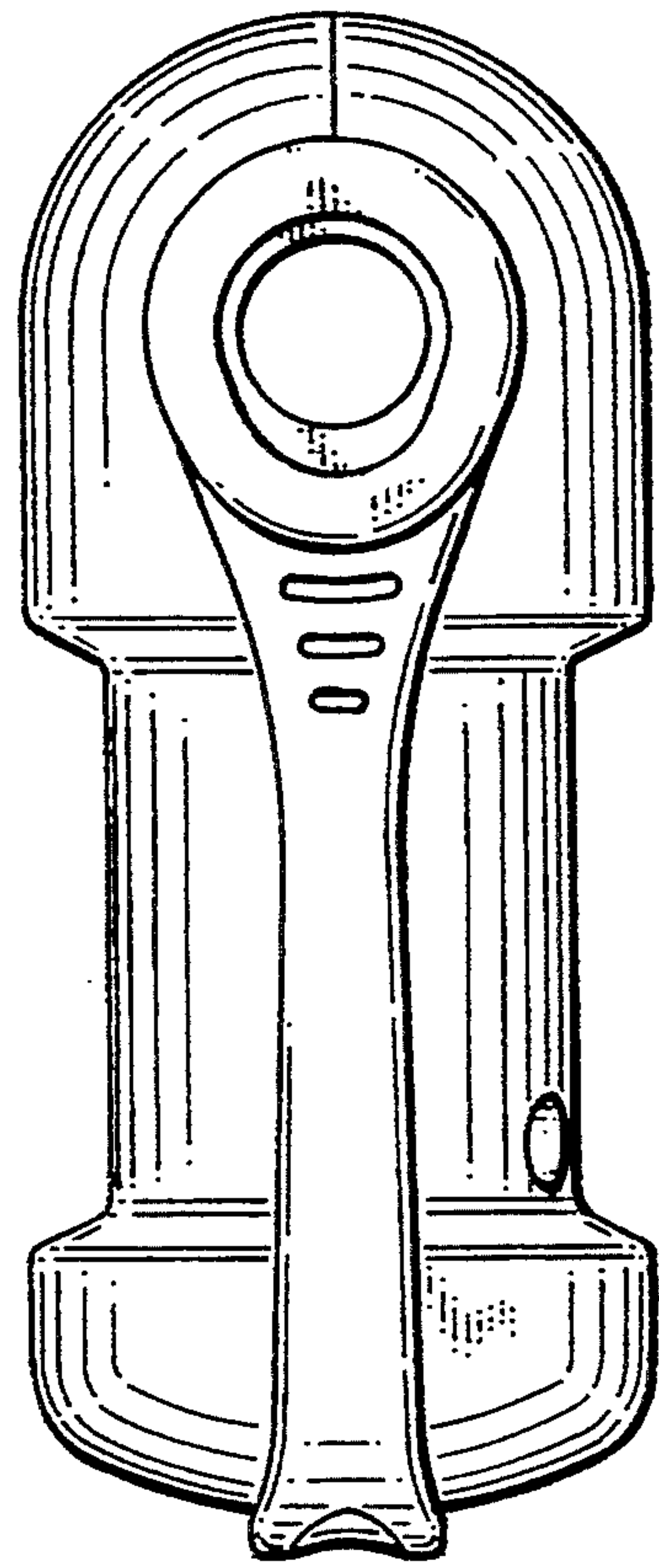


FIG. 4

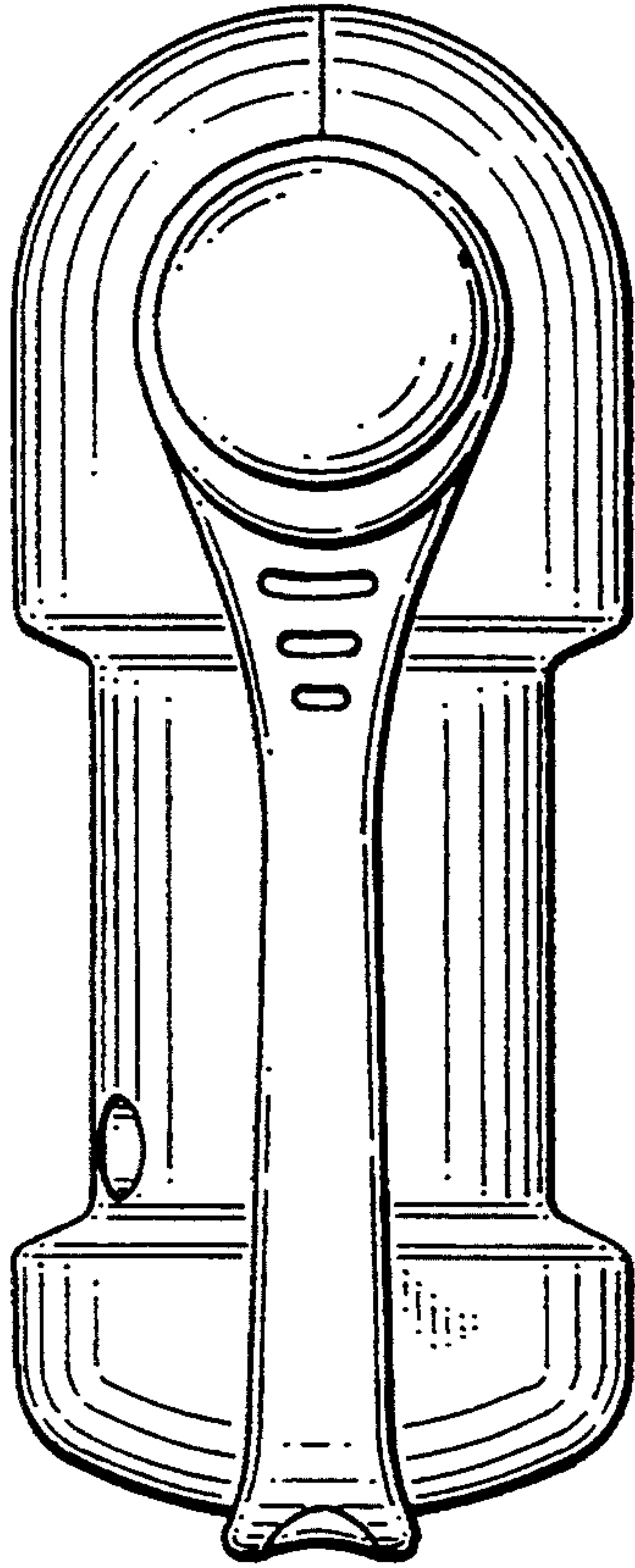


FIG. 5

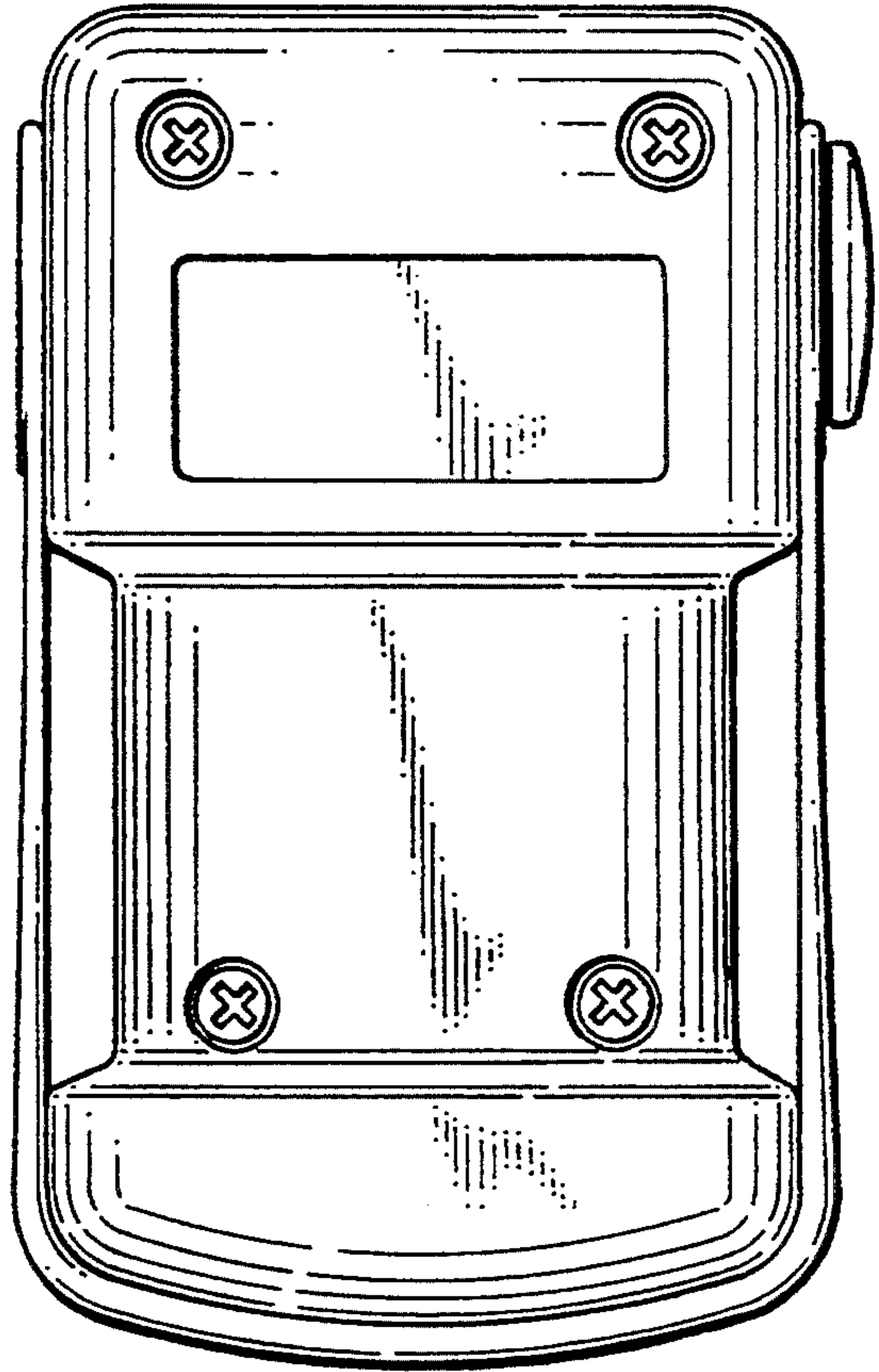


FIG. 6

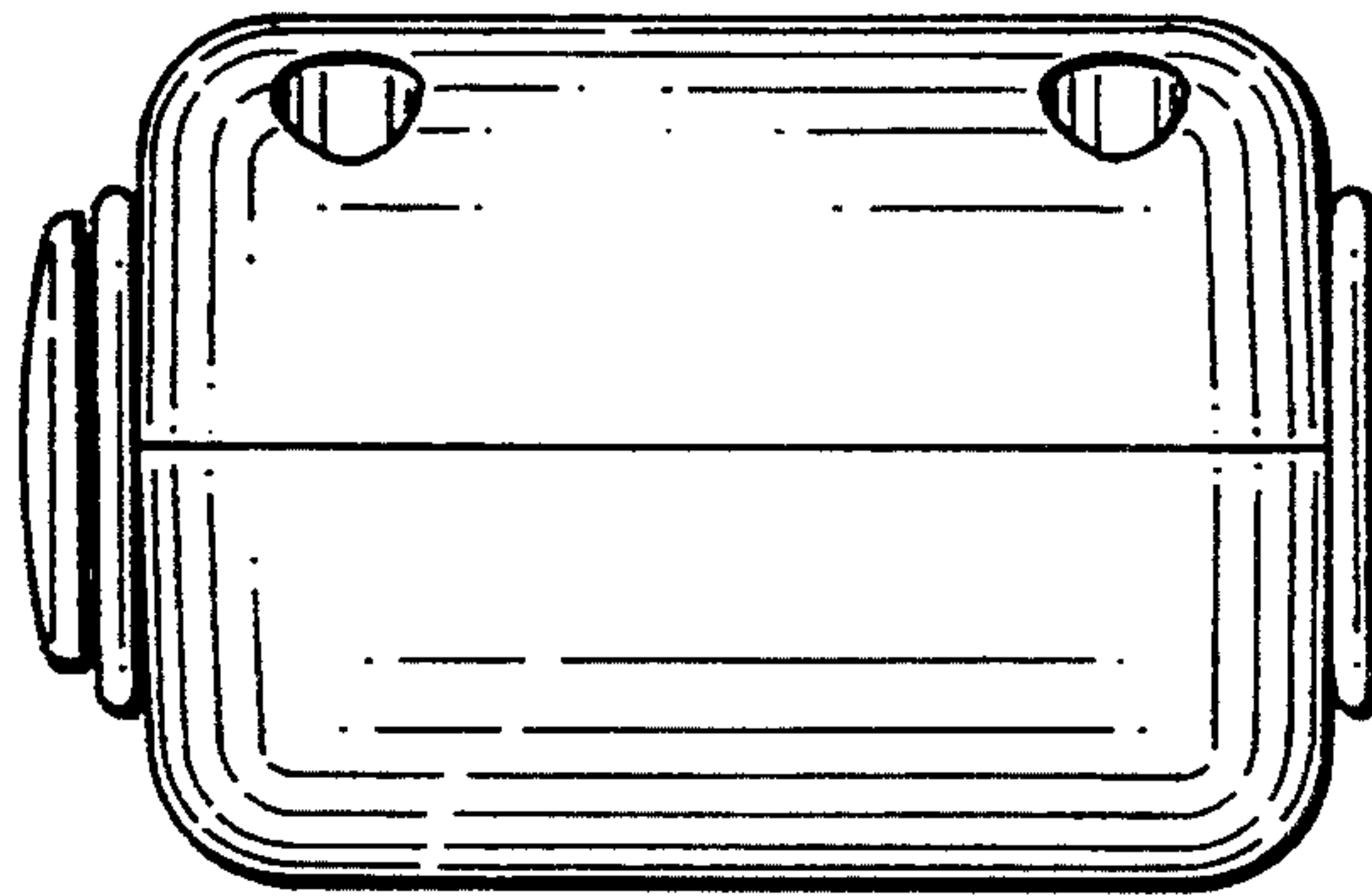


FIG. 7

