



US00D360675S

United States Patent [19]

[11] Patent Number: **Des. 360,675**

Tameo

[45] Date of Patent: **** Jul. 25, 1995**

[54] **SLIP-ON COVER FOR A FISHING LURE**

3,760,526 9/1973 Hicks 43/44.4
3,760,529 9/1973 Hicks 43/44.4

[76] Inventor: **Gerald N. Tameo**, 558 N. Broadway,
East Providence, R.I. 02914

Primary Examiner—Doris V. Coles
Attorney, Agent, or Firm—Salter & Michaelson

[**] Term: **14 Years**

[57] **CLAIM**

[21] Appl. No.: **15,883**

The ornamental design for a slip-on cover for a fishing lure, as shown and described.

[22] Filed: **Dec. 1, 1993**

[52] U.S. Cl. **D22/126; D22/134**

[58] Field of Search **D22/126, 134; 43/44.4,**
43/44.2, 44.99, 43.12, 43.13

DESCRIPTION

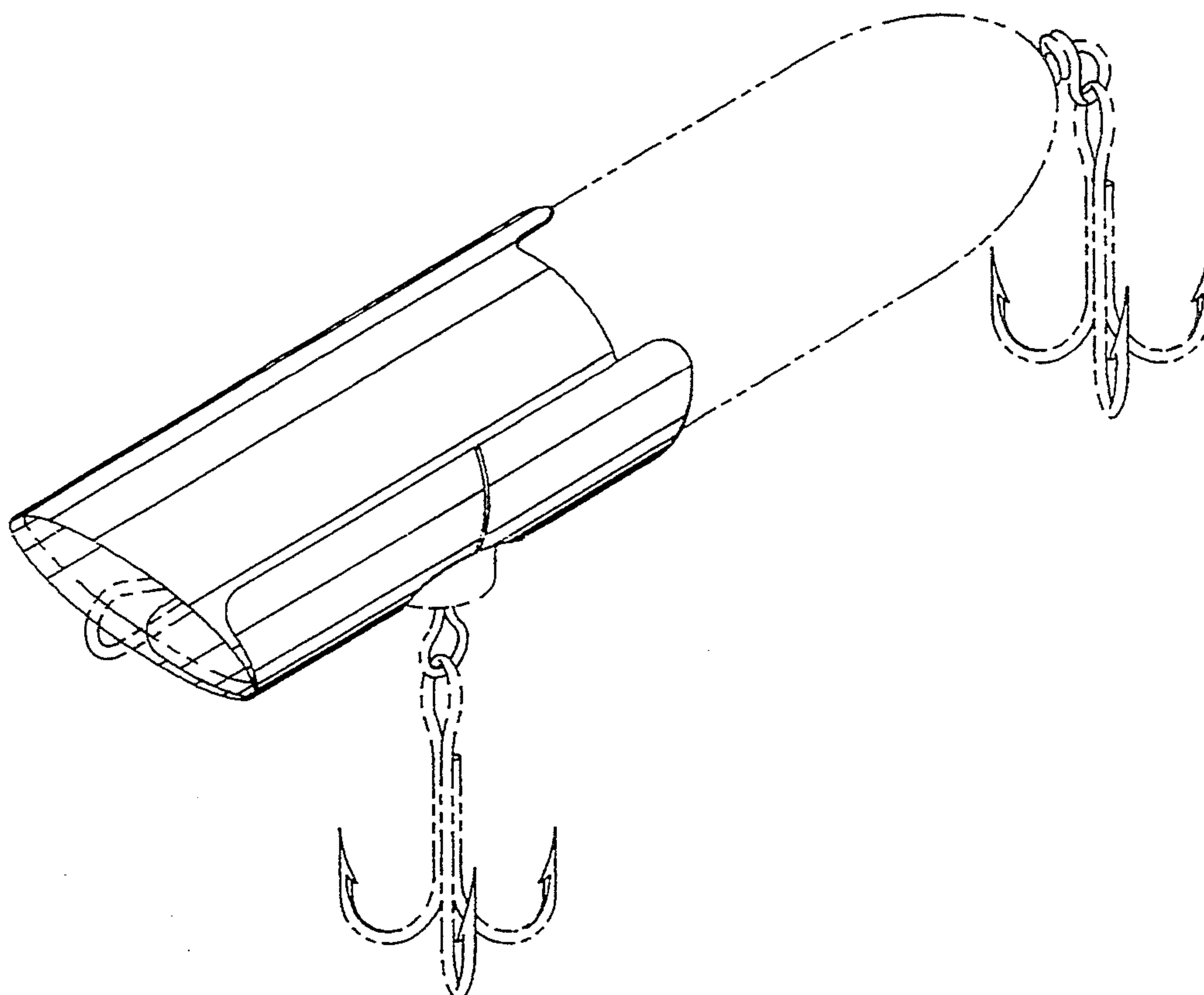
[56] **References Cited**

U.S. PATENT DOCUMENTS

D. 233,339	10/1974	Hicks	D22/126
2,782,550	2/1957	Bretl	43/44.4
3,068,606	12/1962	Hopkins	43/43.13 X
3,105,319	10/1963	Whalen	43/44.4
3,156,066	11/1964	Munyer	D22/134
3,193,965	7/1965	Jacobsen	43/44.4

FIG. 1 is a perspective view of a slip-on cover for a fishing lure in operative position on a plug;
FIG. 2 is a top plan view thereof;
FIG. 3 is a right end view thereof;
FIG. 4 is a left end view thereof;
FIG. 5 is a bottom plan view thereof;
FIG. 6 is a front side elevational view thereof; and,
FIG. 7 is a rear side elevational view thereof.

The broken-line portions of FIG. 1 are for purposes of illustration only and form no part of the instant design.



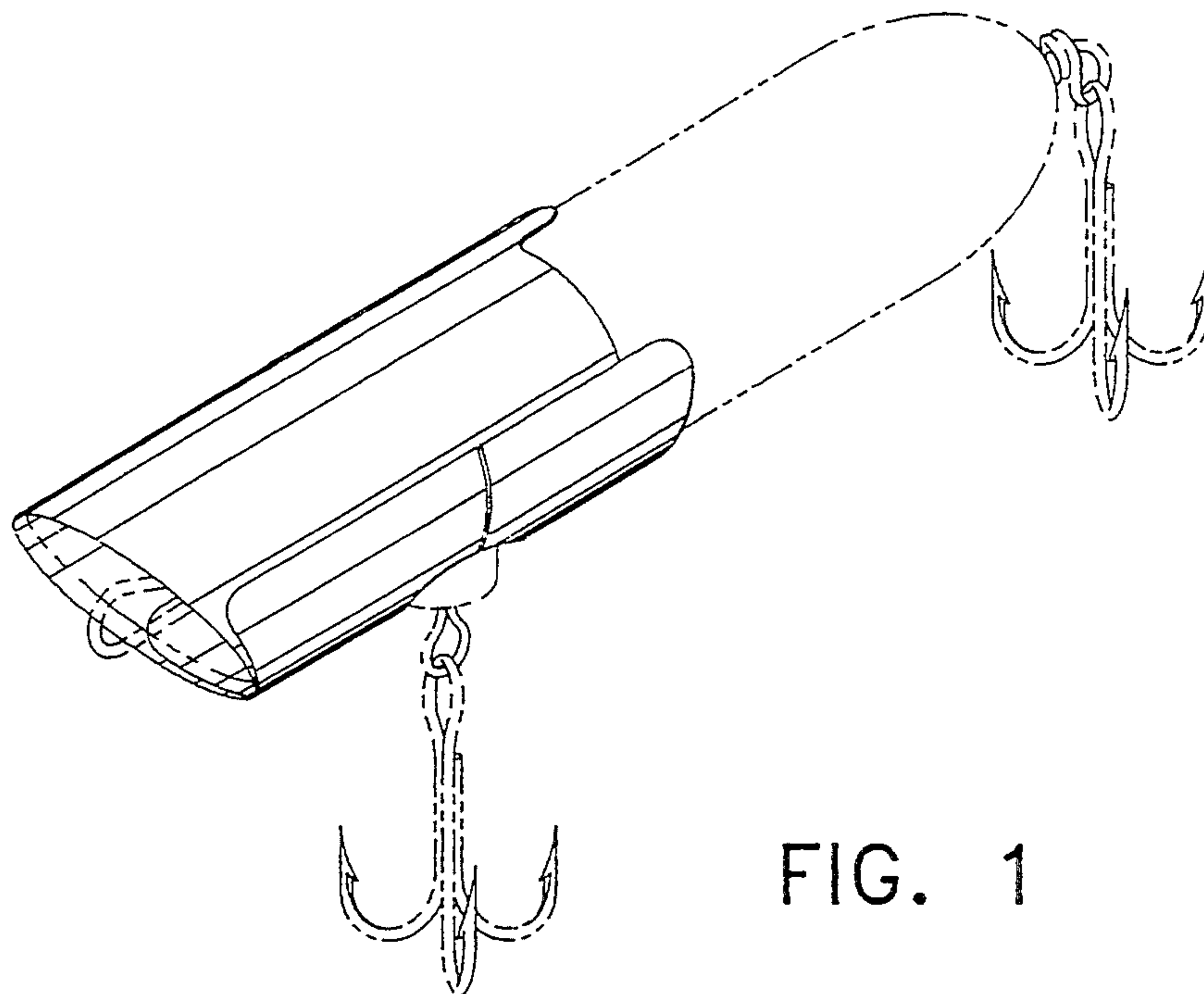


FIG. 1

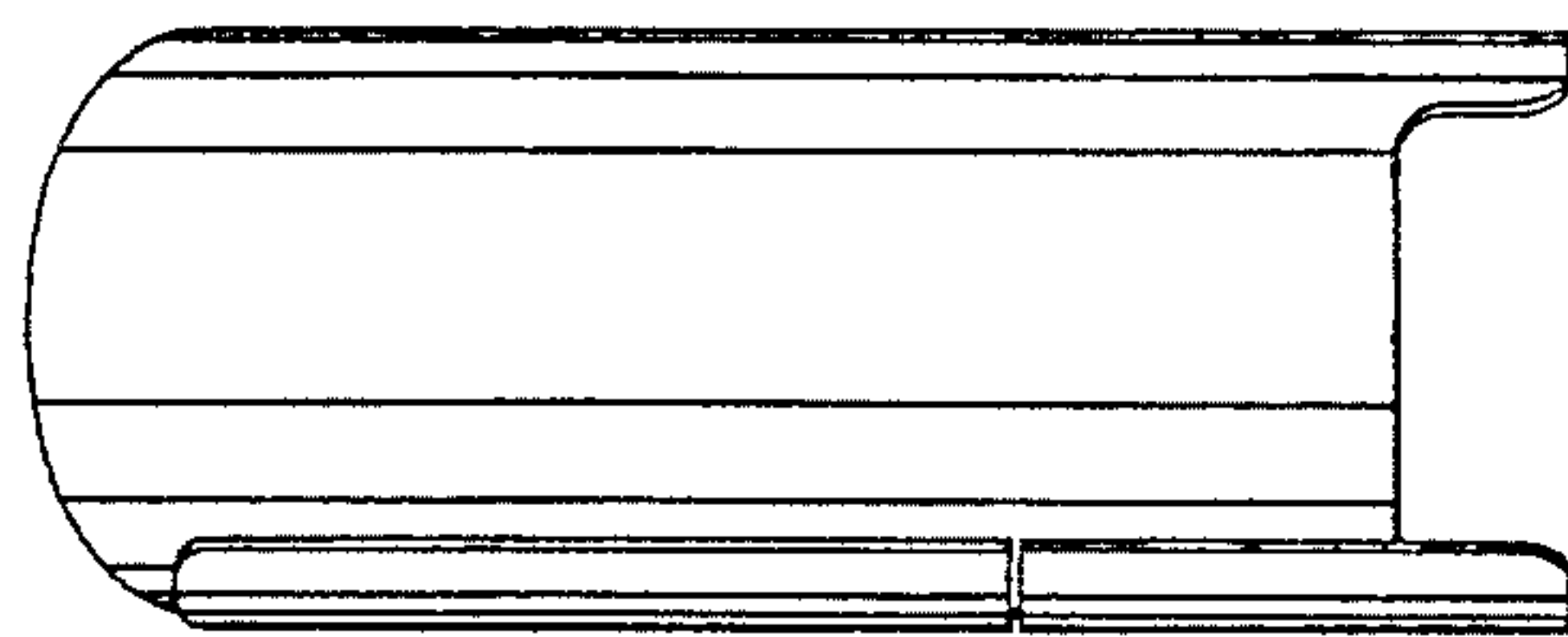


FIG. 2

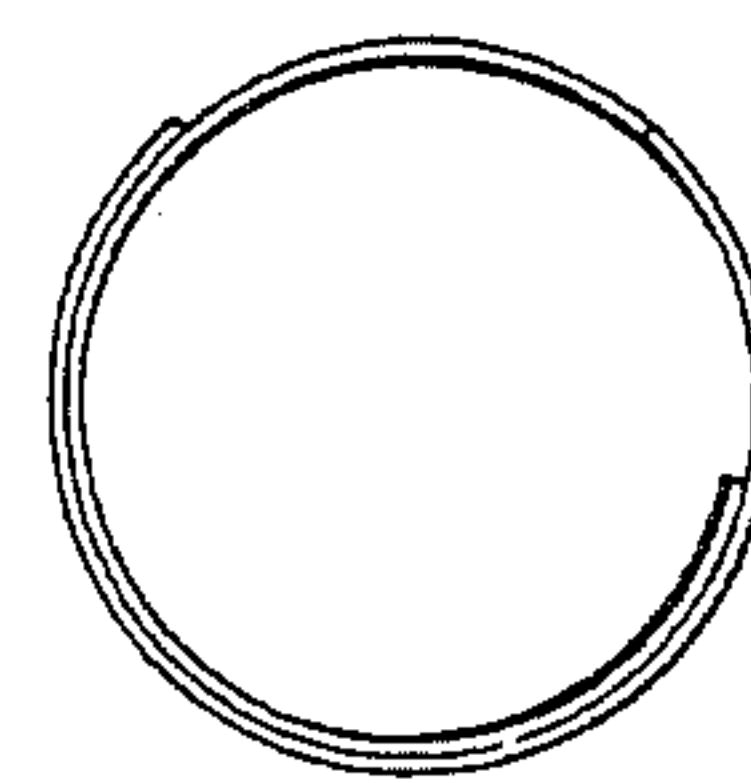


FIG. 3

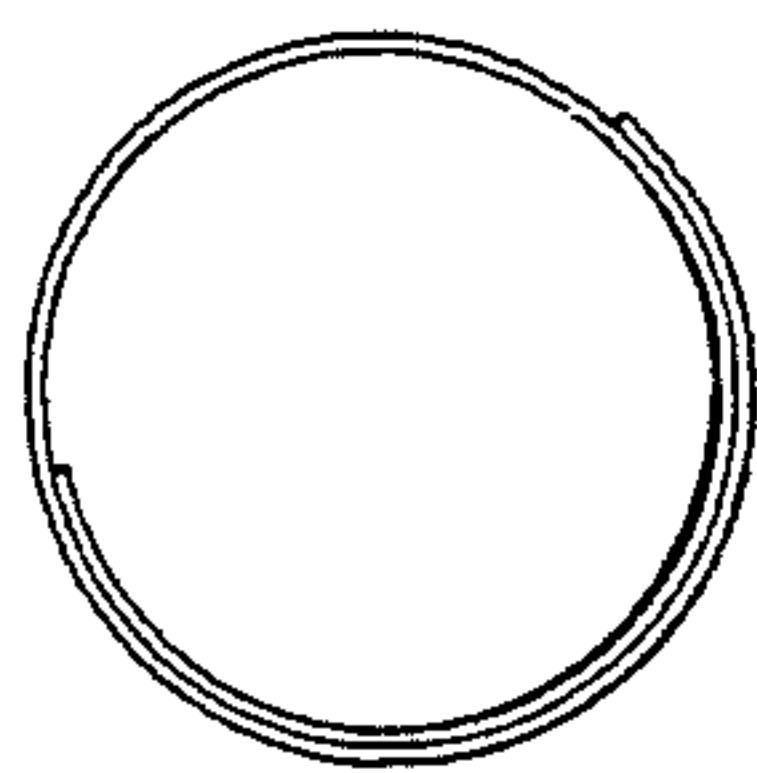


FIG. 4

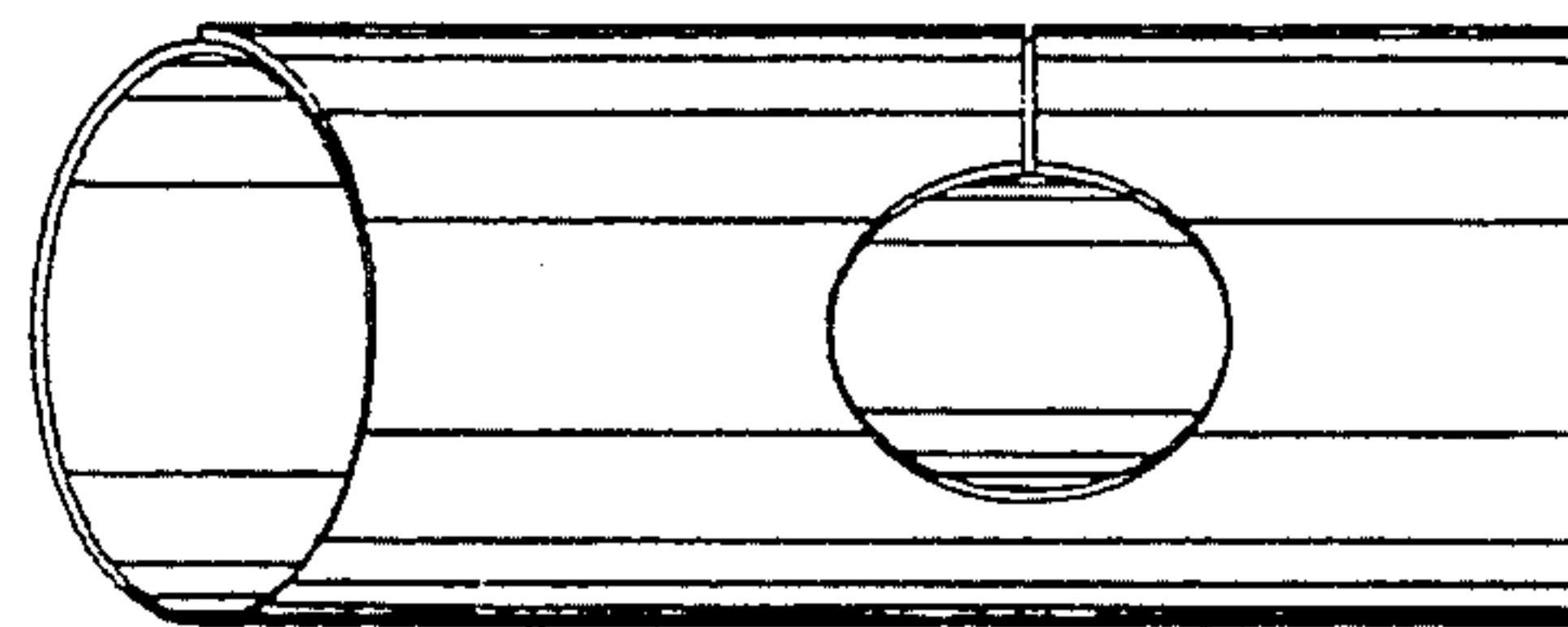


FIG. 5

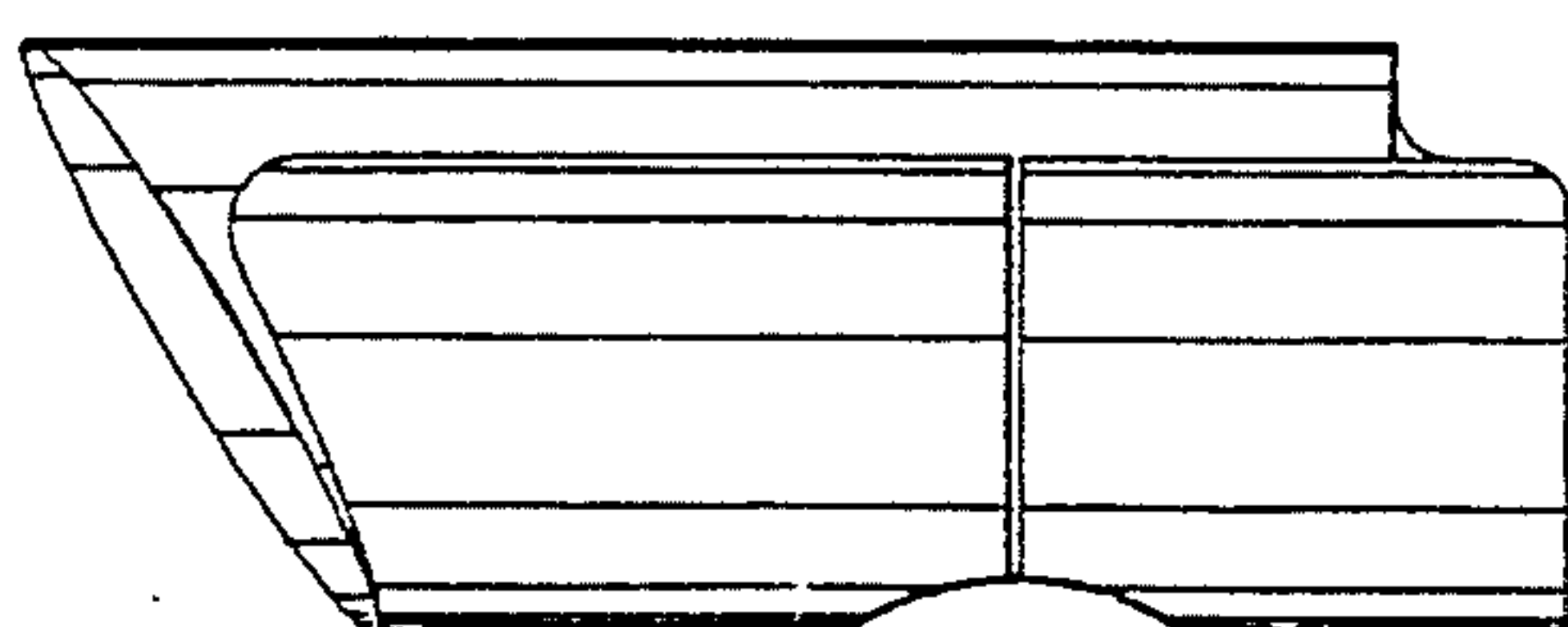


FIG. 6

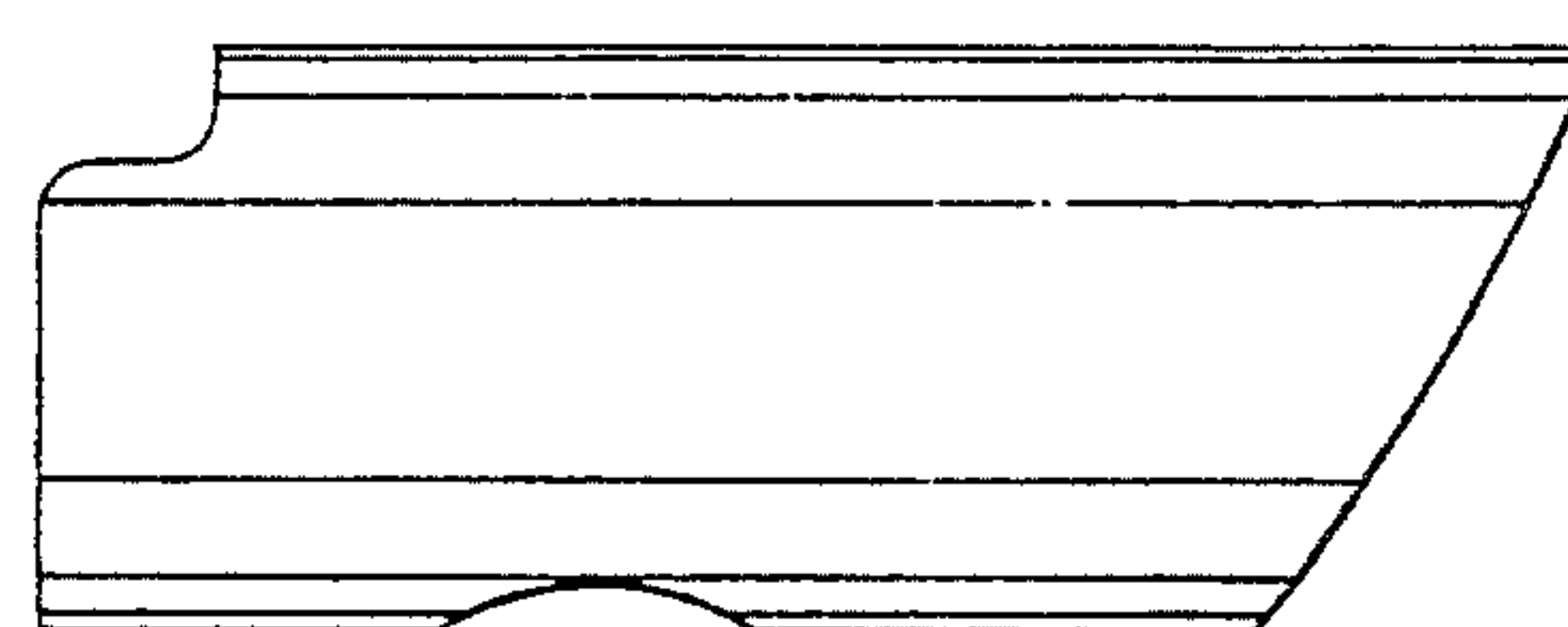


FIG. 7