



US00D360673S

United States Patent [19]

[11] Patent Number: **Des. 360,673**

Buttler

[45] Date of Patent: **** Jul. 25, 1995**

[54] SAFETY FOR A FIREARM

Assistant Examiner—Catherine R. Oliver

[76] Inventor: **Joseph Buttler**, 6121 Power House Hill Rd., Oroville, Calif. 95965

[57] **CLAIM**

The ornamental design for a a safety for a firearm, as shown and described.

[**] Term: **14 Years**

DESCRIPTION

[21] Appl. No.: **10,275**

FIG. 1 is a perspective view of a a safety for a firearm showing my new design;

[22] Filed: **Jul. 6, 1993**

FIG. 2 is a perspective view in the locked position thereof;

[52] U.S. Cl. **D22/108**

FIG. 3 is a side elevational view thereof;

[58] Field of Search **D22/108; 42/1.01, 66, 42/67, 70.01, 76 R, 79, 96; 89/27.12**

FIG. 4 is a side elevational view with the locking pin removed thereof;

[56] **References Cited**

U.S. PATENT DOCUMENTS

D. 156,336	12/1949	Hameister	D22/108
D. 185,374	6/1959	Liedke et al.	D22/108
D. 268,861	5/1983	Gwinn	D22/108
2,134,406	10/1938	Jacobs	42/70.01
3,360,880	1/1968	Finnegan	42/66
3,603,202	9/1971	Moragne	89/27.12
5,038,508	8/1991	Brown	42/96

FIG. 5 is a front elevational view thereof;

FIG. 6 is a rear elevational view thereof;

FIG. 7 is a top plan view thereof;

FIG. 8 is a bottom plan view thereof; and,

FIG. 9 is a side elevational view locked in the barrel of a gun.

The broken line showing of a gun in FIG. 9 is for illustrative purposes only and forms no part of the claimed design.

Primary Examiner—Louis S. Zarfes

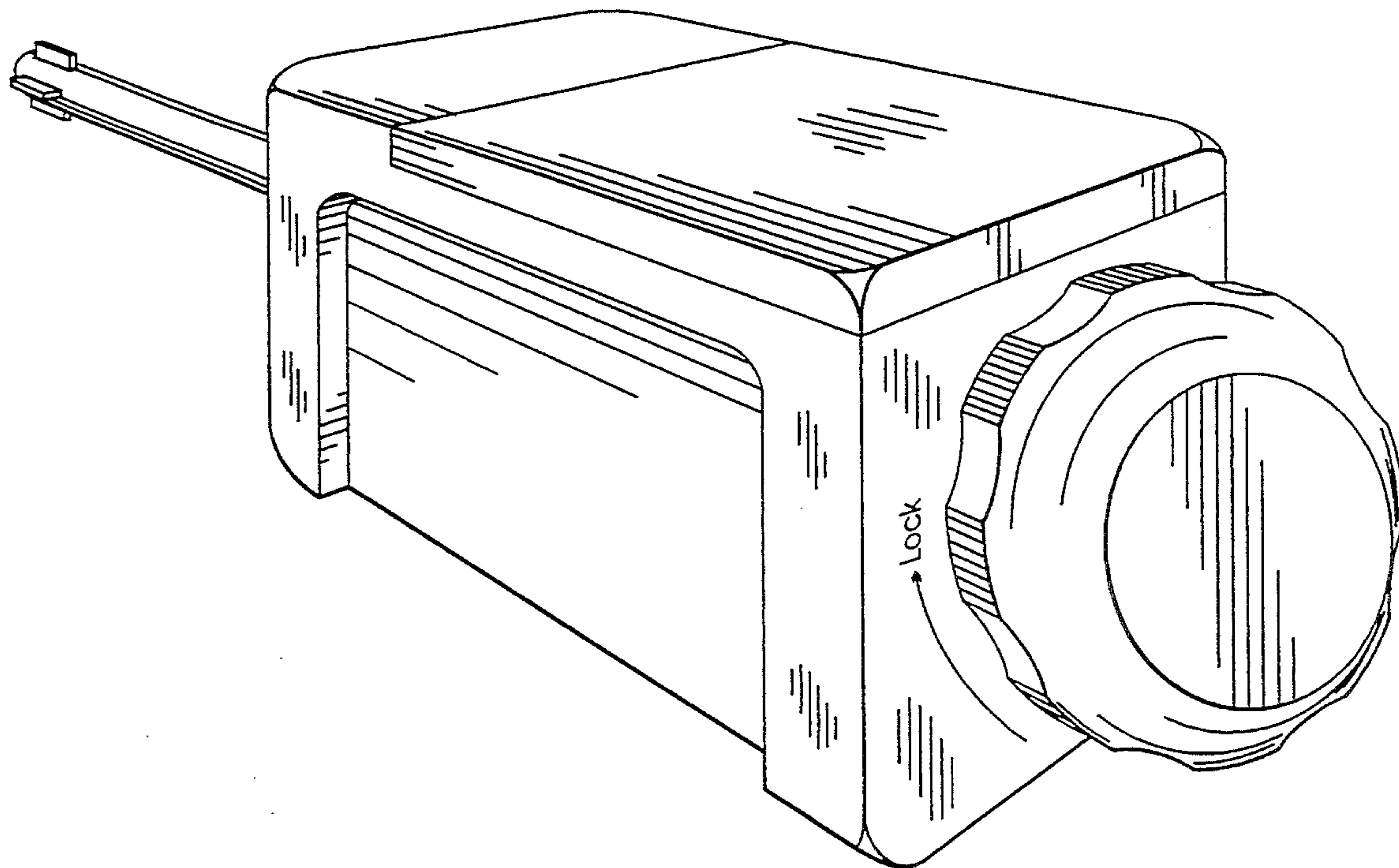


Fig.1

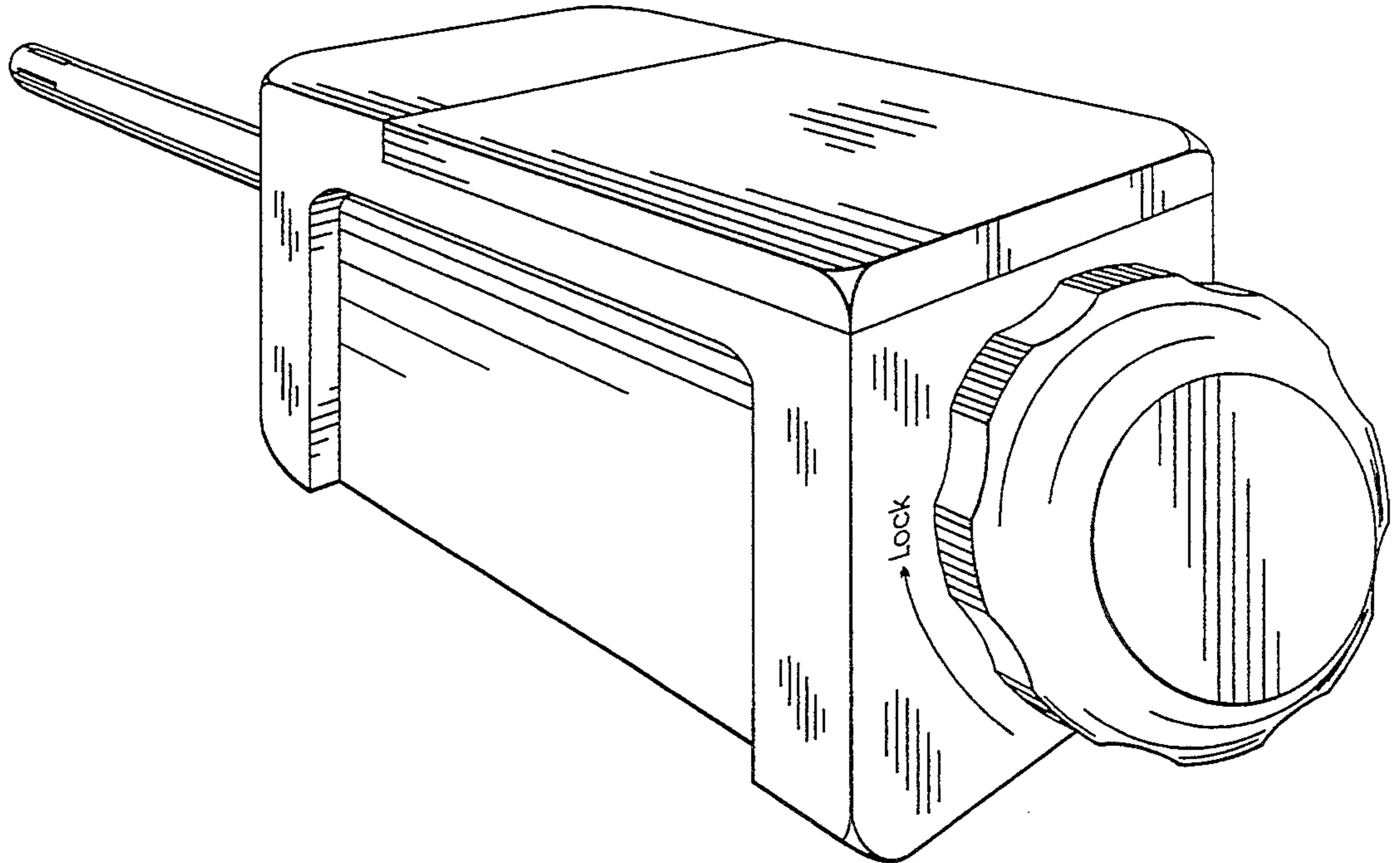


Fig.2

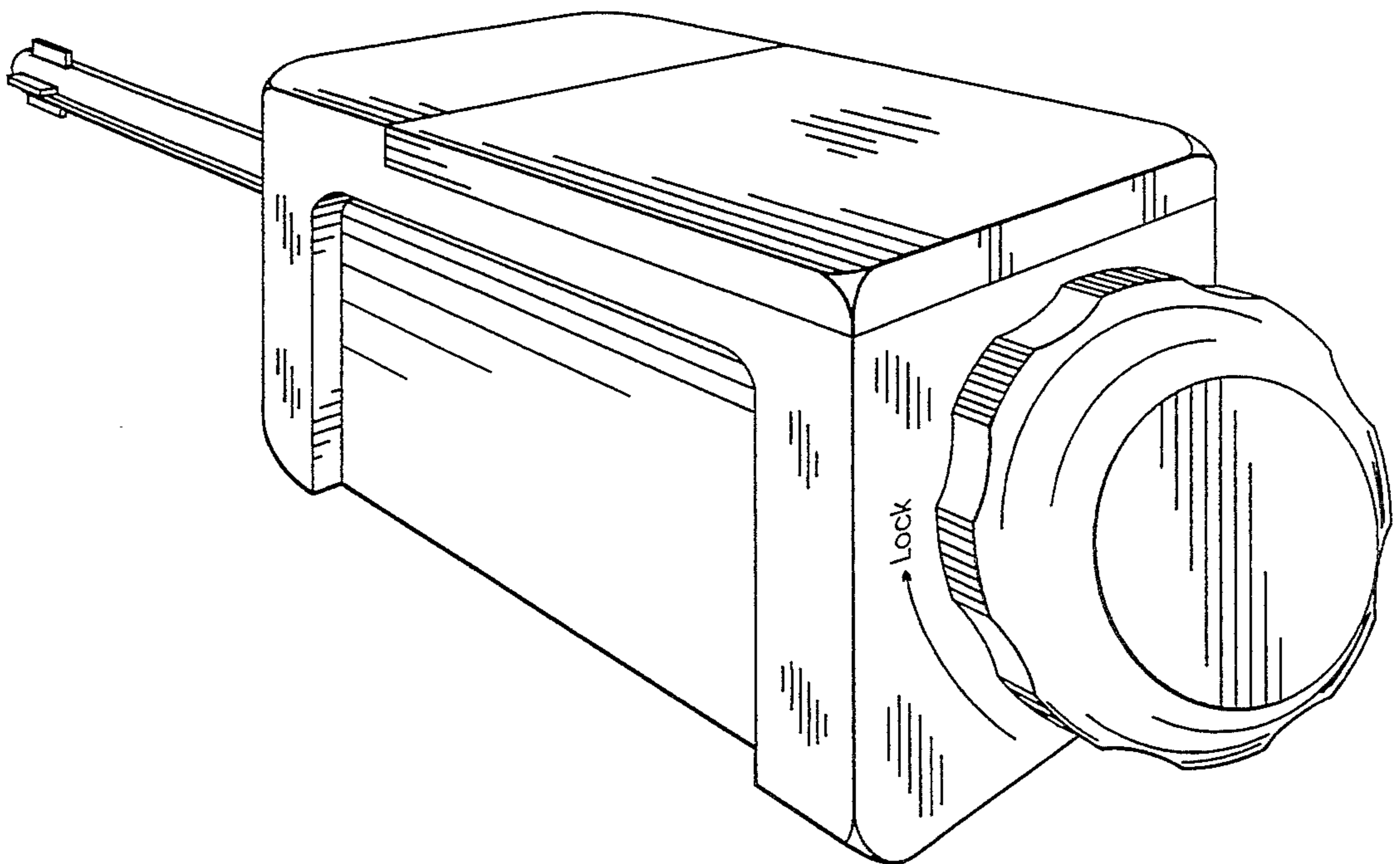


Fig.3

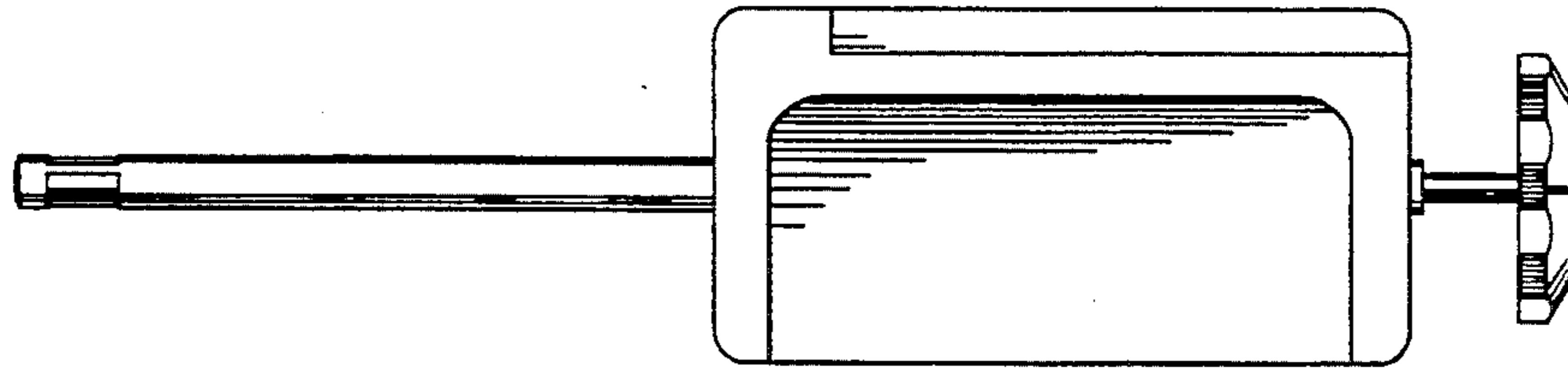


Fig.4

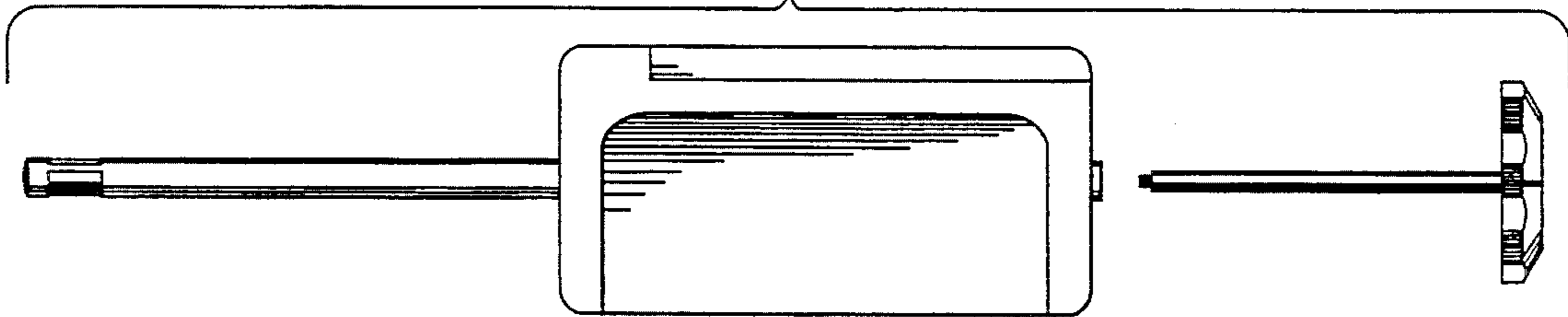


Fig.5

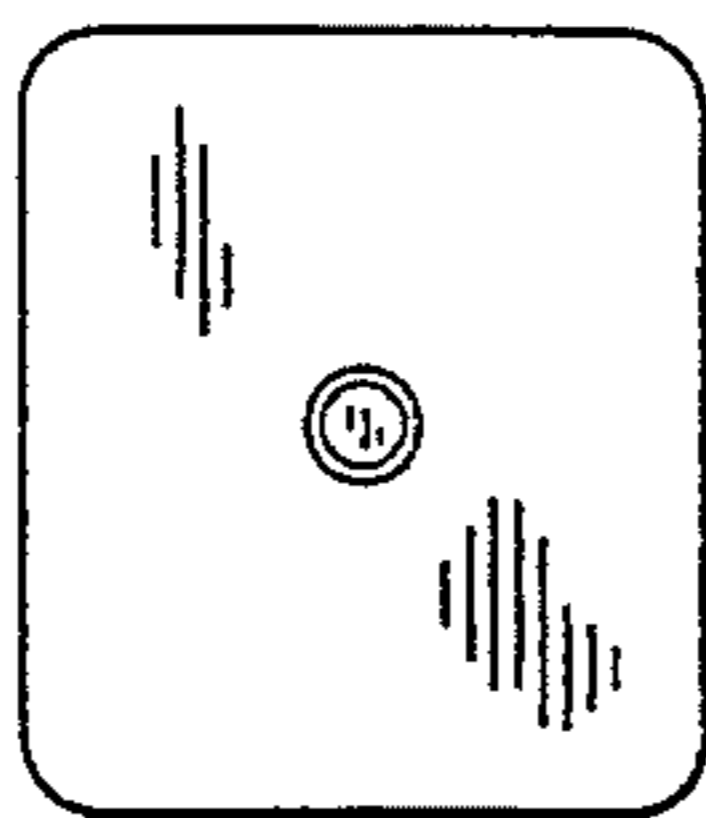


Fig.6

