



US00D360670S

United States Patent [19]

[11] **Patent Number: Des. 360,670**

Nilsson

[45] **Date of Patent: ** Jul. 25, 1995**

[54] **HEAD FOR A GOLF PUTTER**

[76] **Inventor:** Birger Nilsson, Södra Promenaden
25 C, Malm e,uml o× , Sweden, 211
38

[**] **Term:** 14 Years

[21] **Appl. No.:** 21,132

[22] **Filed:** Apr. 11, 1994

[30] **Foreign Application Priority Data**

Oct. 19, 1993 [SE] Sweden 932326

[52] **U.S. Cl.** D21/219

[58] **Field of Search** D21/217-219;
273/164.1, 167-175

[56] **References Cited**

U.S. PATENT DOCUMENTS

- D. 294,511 3/1988 Durket D21/217
- D. 337,803 7/1993 Sillers D21/219
- D. 351,443 10/1994 Caugh et al. D21/219

OTHER PUBLICATIONS

Golf World; Aug. 25, 1989; p. 12; "Pole Kat 1" lower left of page.

Primary Examiner—Theodore M. Shooman
Assistant Examiner—Mitchell I. Siegel
Attorney, Agent, or Firm—Brumbaugh, Graves,
Donohue & Raymond

[57] **CLAIM**

The ornamental design for a head for a golf putter, as shown and described.

DESCRIPTION

FIG. 1 is a top plan view of a head for a golf putter showing my new design;
FIG. 2 is a rear elevational view thereof;
FIG. 3 is a front elevational view thereof;
FIG. 4 is a right side elevational view turned 90 degrees on its axis thereof, the undisclosed opposite side being a mirror image thereof;
FIG. 5 is a bottom plan view of FIG. 1; and,
FIG. 6 is a top rear perspective view of FIG. 1.

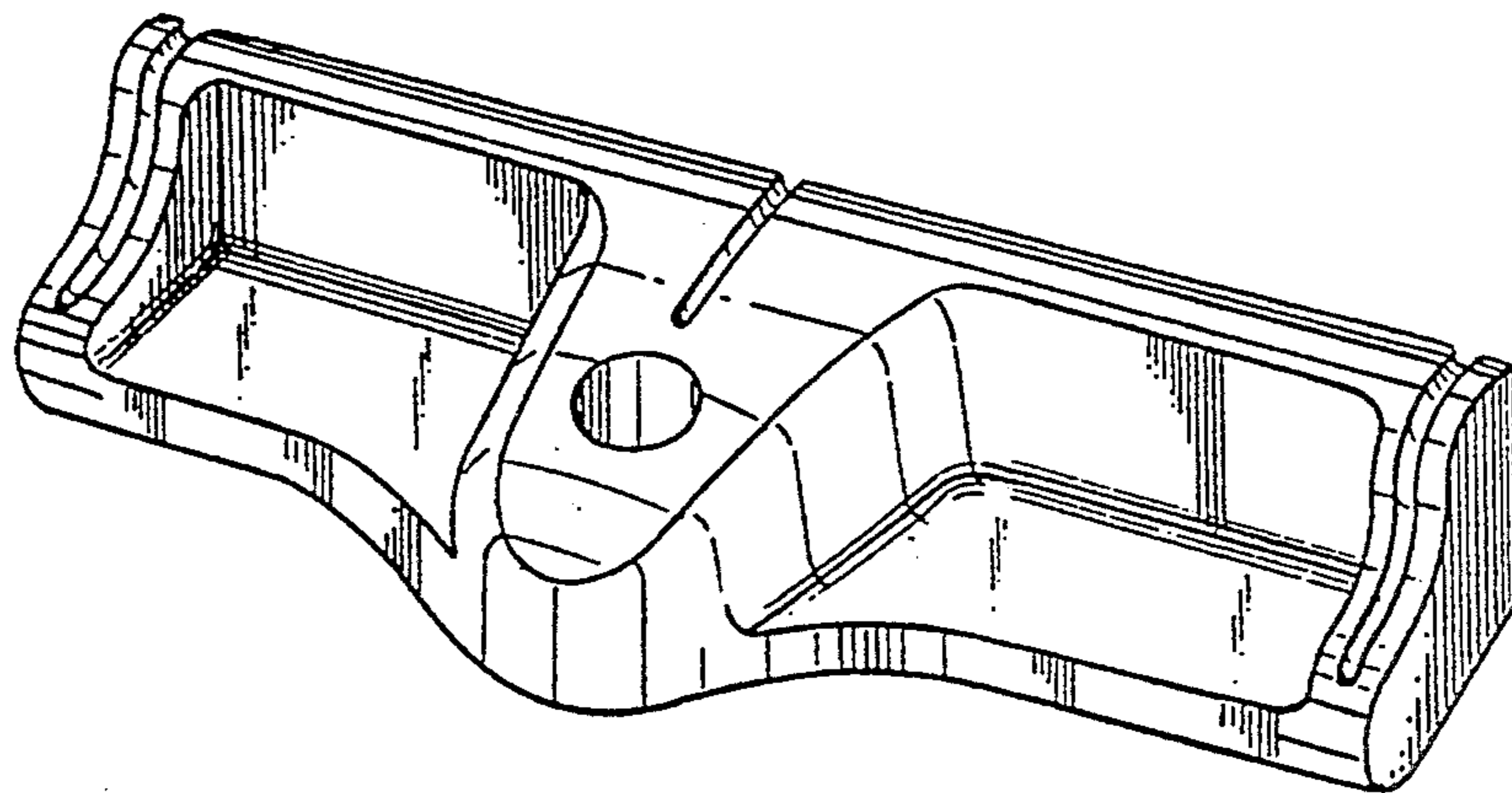


FIG.5

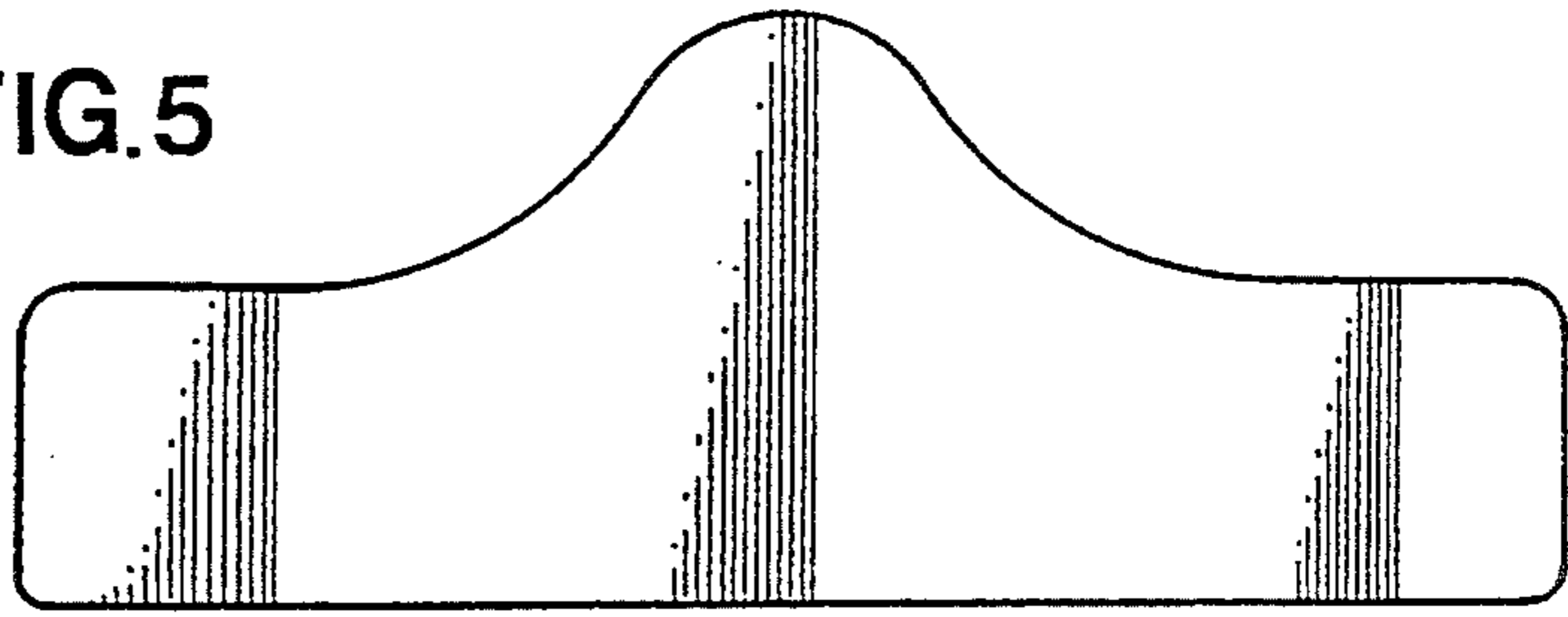


FIG.4

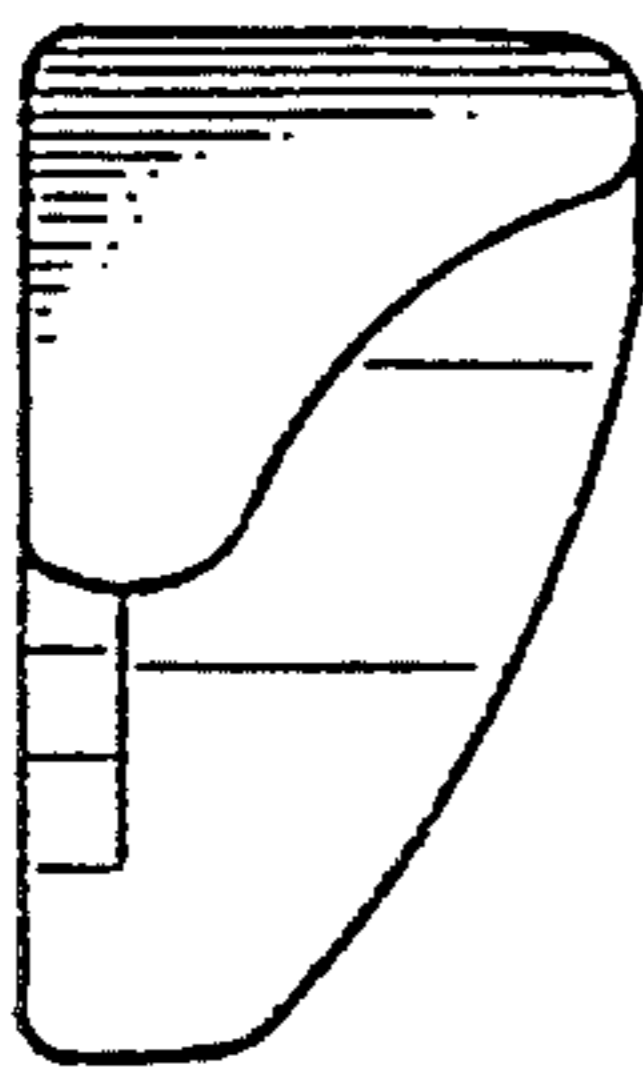


FIG.1

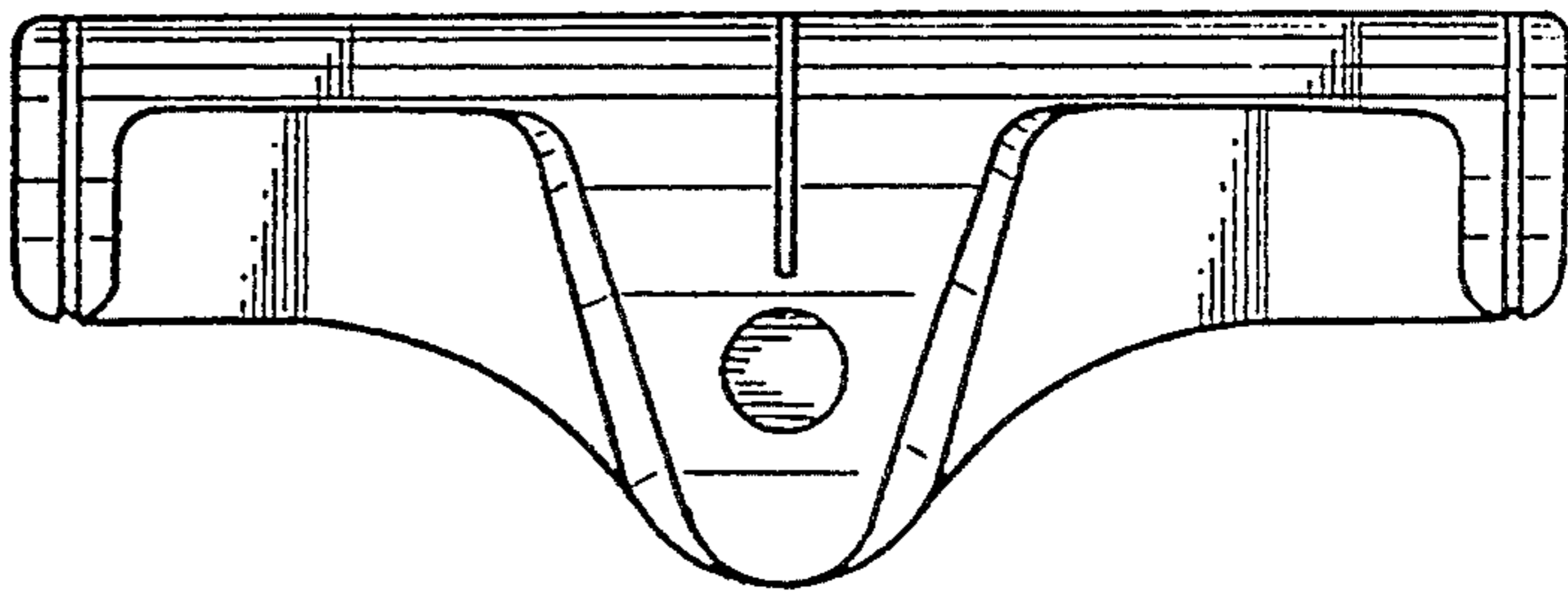


FIG.2

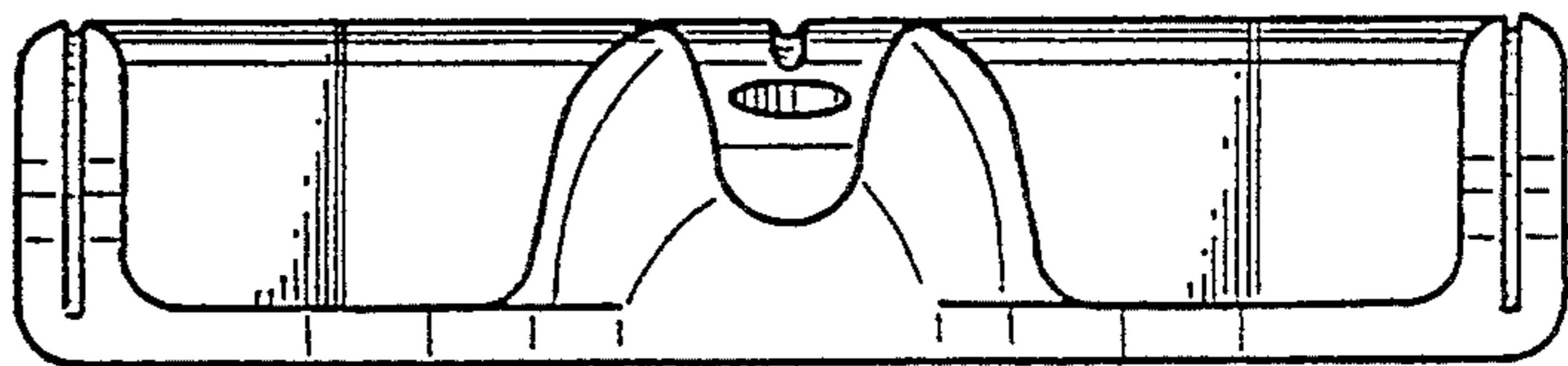


FIG.3

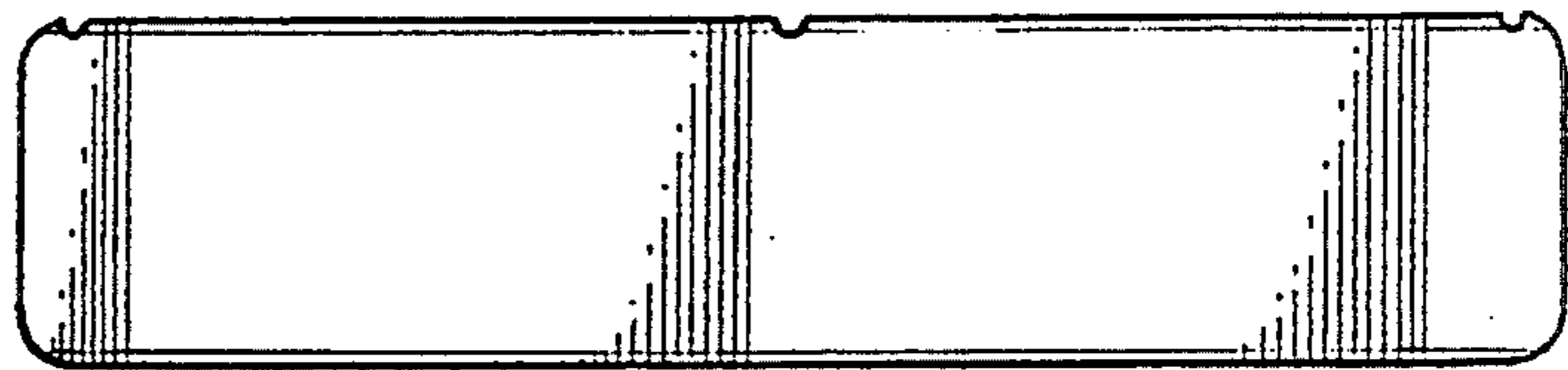


FIG.6

