



US00D360668S

United States Patent [19]

[11] Patent Number: **Des. 360,668**

Hattori

[45] Date of Patent: **** Jul. 25, 1995**

[54] **COMBINED PUTTER AND WEDGE GOLF CLUB HEAD**

4,199,144 4/1980 Skelly 273/173 X
4,312,509 1/1982 Grant 273/167 A
4,453,713 6/1984 Guyer .

[76] Inventor: **Noriyasu Hattori**, 26916 Spring Creek Rd., Rancho Palos Verdes, Calif. 90274

Primary Examiner—Terry A. Wallace
Assistant Examiner—Mitchell I. Siegel
Attorney, Agent, or Firm—Knobbe, Martens, Olson & Bear

[**] Term: **14 Years**

[21] Appl. No.: **15,684**

[57] CLAIM

[22] Filed: **Nov. 24, 1993**

The ornamental design for the combined putter and wedge golf club head, as shown and described.

[52] U.S. Cl. **D21/214**

[58] Field of Search **D21/217-220;**
273/164.1, 167-175

DESCRIPTION

[56] References Cited

U.S. PATENT DOCUMENTS

- D. 180,257 5/1957 Wetzel .
- D. 325,414 4/1992 Woolsey D21/219
- 1,257,471 2/1918 Fitzjohn et al. .
- 2,530,446 11/1950 Beardsley .
- 2,962,286 11/1960 Brouwer .
- 3,515,389 6/1970 Wolfe .
- 3,578,325 5/1971 Teas .

FIG. 1 is a front perspective view of a combined putter and wedge golf club head showing my design; FIG. 2 is a rear perspective view thereof; FIG. 3 is a front elevational view thereof; FIG. 4 is a front end elevational view thereof; FIG. 5 is a rear elevational view thereof; FIG. 6 is a bottom view thereof; and, FIG. 7 is a top view thereof.

The broken line showing of a fragmented shaft is for illustrative purposes only and forms no part of the claimed design.

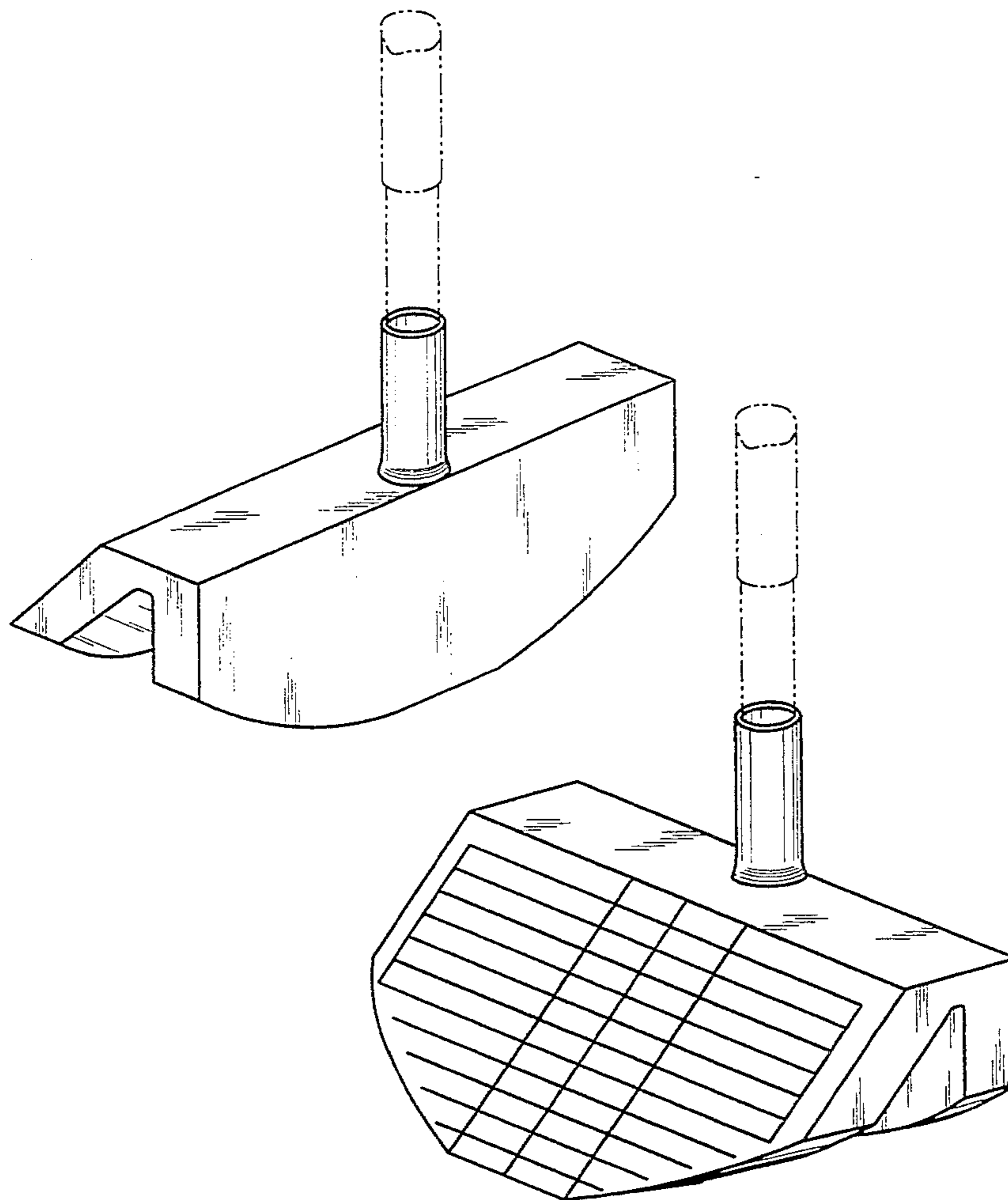


FIG. 1

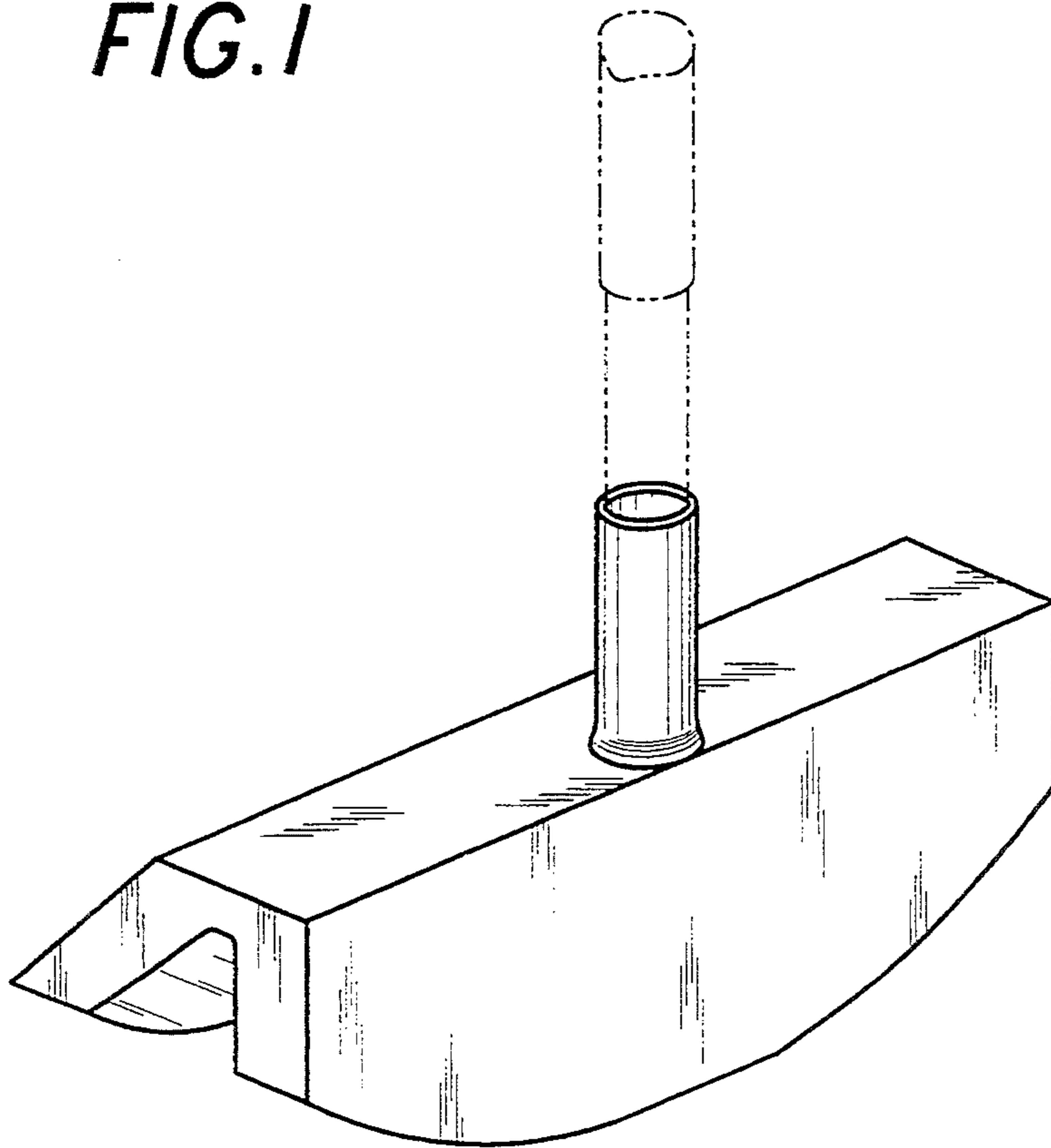
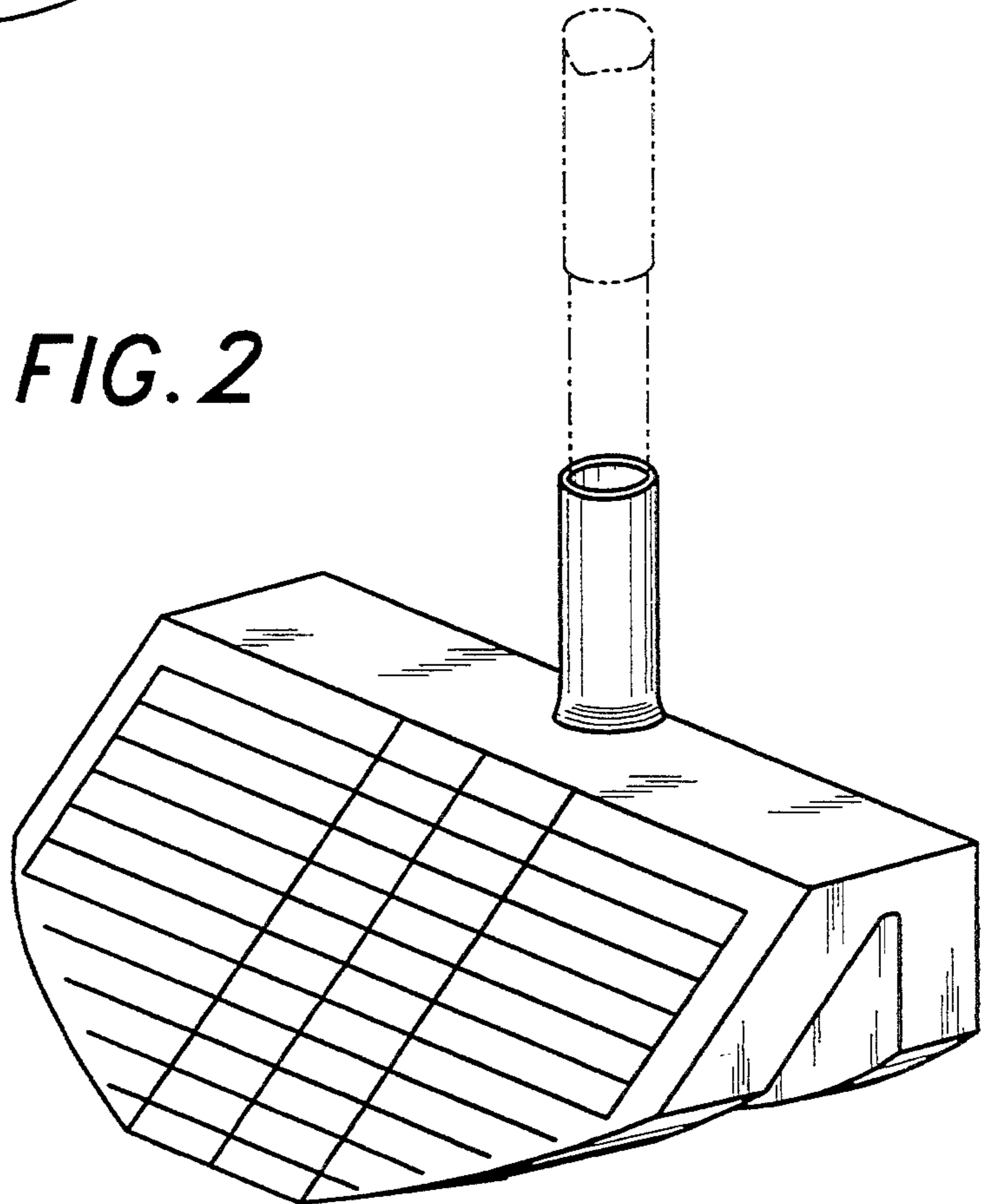


FIG. 2



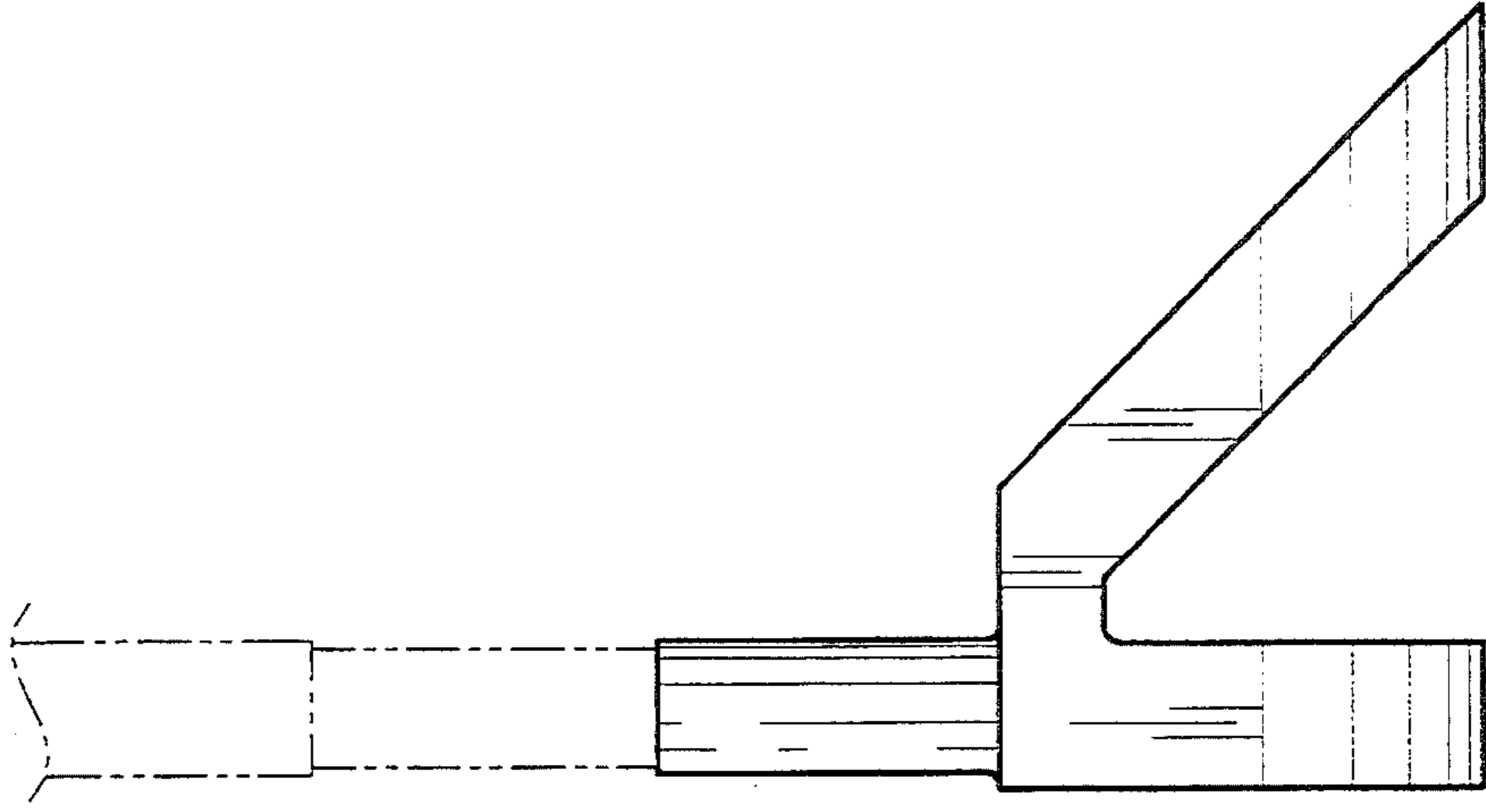


FIG. 4

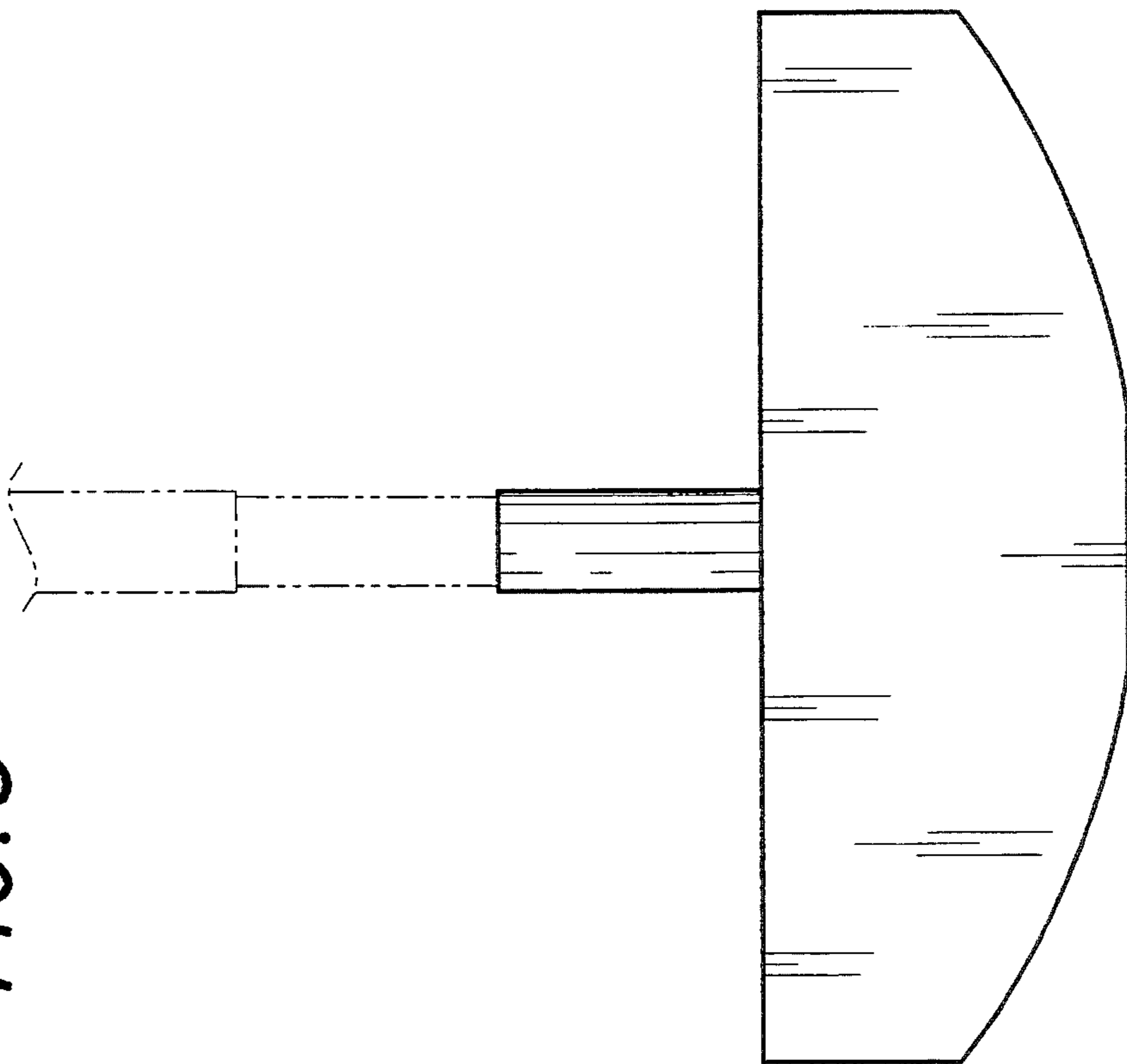


FIG. 3

FIG. 6

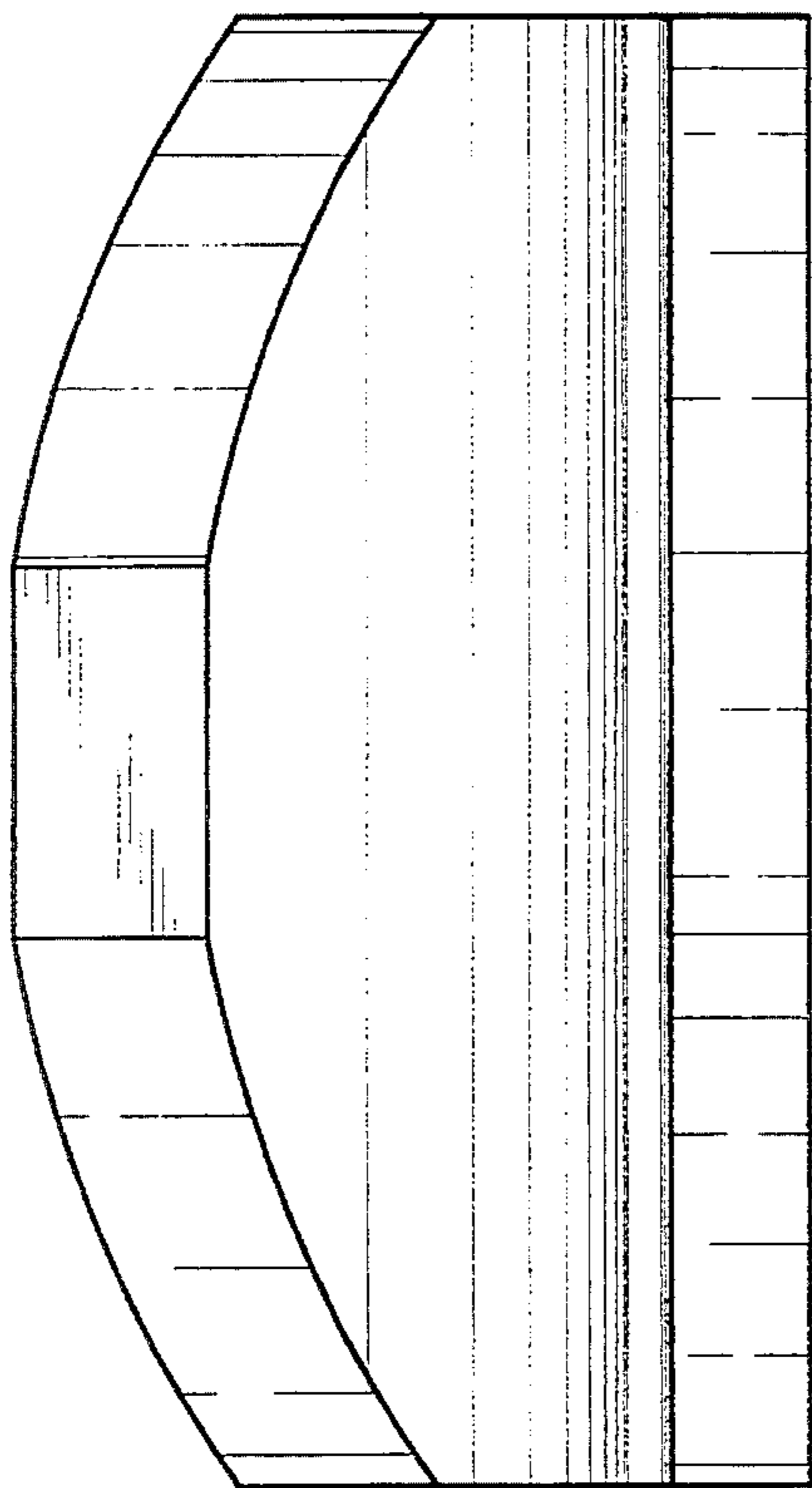


FIG. 7

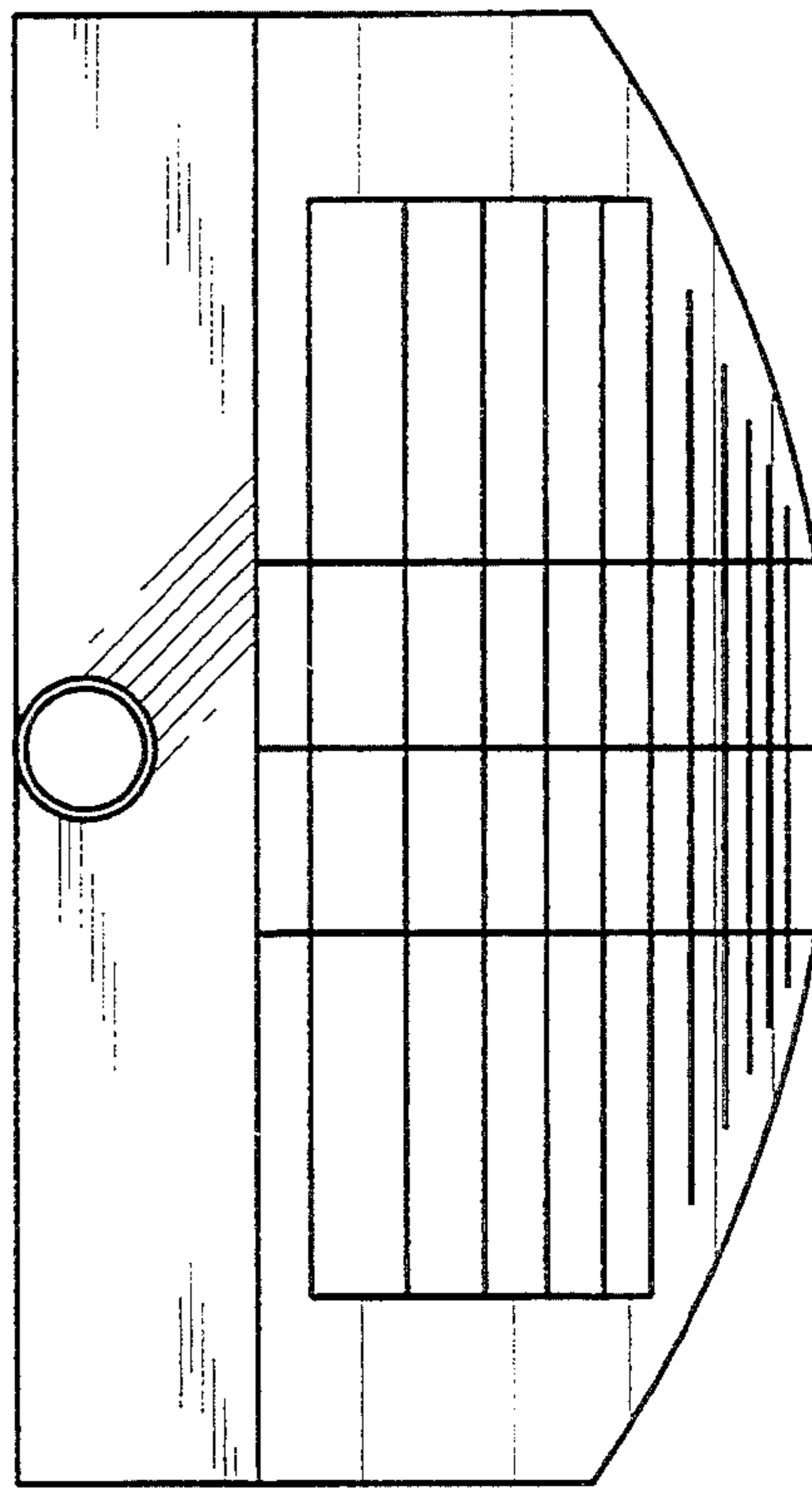


FIG. 5

