



US00D360666S

United States Patent [19]

[11] Patent Number: **Des. 360,666**

Rockwell et al.

[45] Date of Patent: **** Jul. 25, 1995**

[54] **PHYSICAL EXERCISER**

[75] Inventors: **Gary L. Rockwell**, Auburn; **Peter E. Simpson**, Opelika; **John H. Miilu**, Auburn, all of Ala.

[73] Assignee: **Diversified Products Corporation**, Opelika, Ala.

[**] Term: **14 Years**

[21] Appl. No.: **15,190**

[22] Filed: **Nov. 10, 1993**

D. 349,140	7/1994	Rockwell	D21/195
4,666,149	5/1987	Olschansky et al.	482/130
5,037,090	8/1991	Fitzpatrick	482/142
5,254,067	10/1993	Habing et al.	482/112

Primary Examiner—Theodore M. Shooman
Assistant Examiner—Philip Hyder
Attorney, Agent, or Firm—Banner & Allegretti, Ltd.

[57] CLAIM

The ornamental design for a physical exerciser, as shown and described.

DESCRIPTION

FIG. 1 is an elevational view of the left side of a physical exerciser showing our new design;
FIG. 2 is an elevational view of the right side of the physical exerciser;
FIG. 3 is a rear view of the physical exerciser;
FIG. 4 is a front view of the physical exerciser;
FIG. 5 is a top plan view of the physical exerciser;
FIG. 6 is a bottom plan view of the physical exerciser; and,
FIG. 7 is a perspective view of the physical exerciser.

Related U.S. Application Data

[63] Continuation-in-part of Ser. No. 13,611, Sep. 28, 1993.

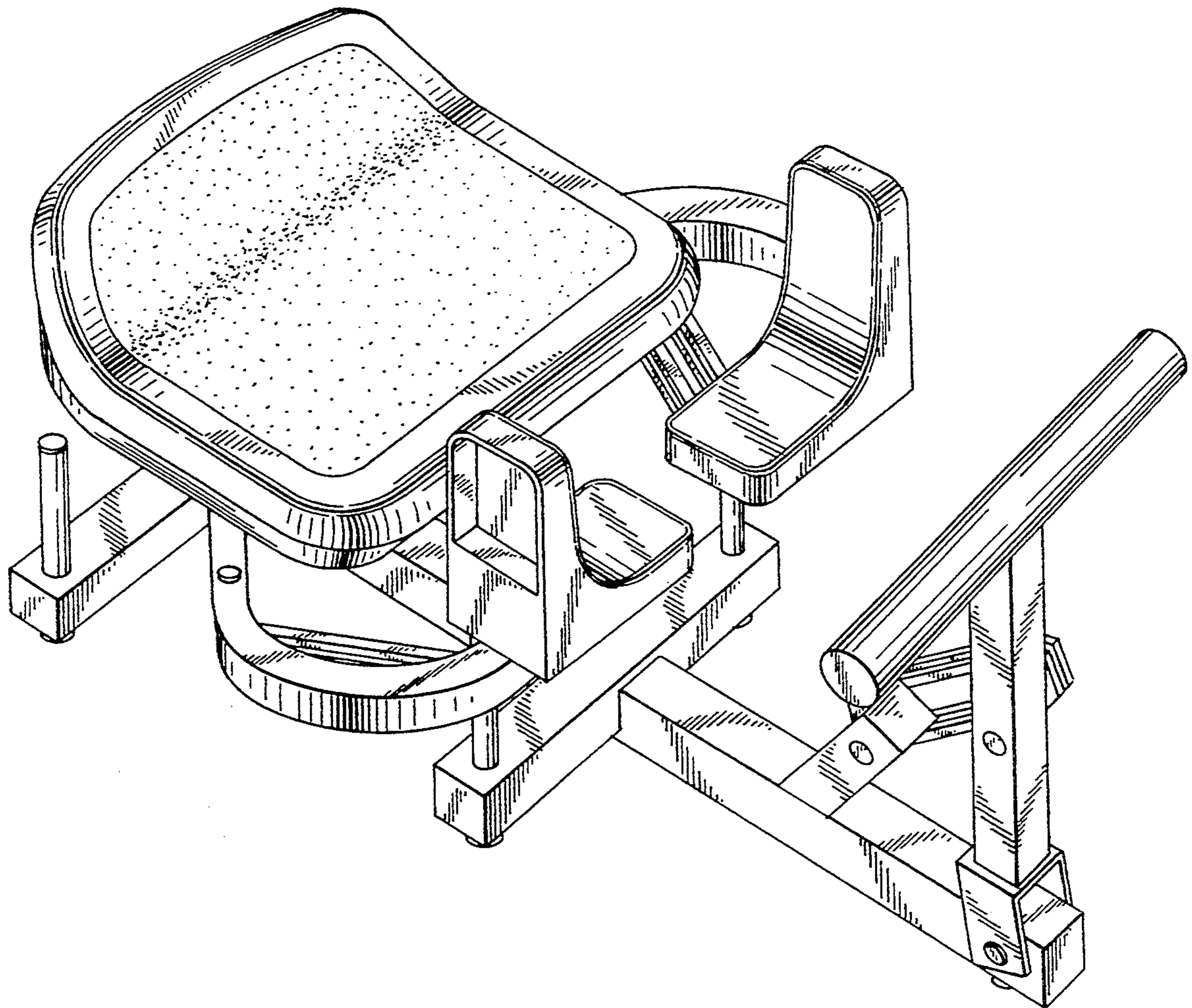
[52] U.S. Cl. **D21/195**

[58] Field of Search D21/191, 195; 482/123, 482/130, 121, 137, 112, 142, 129

[56] References Cited

U.S. PATENT DOCUMENTS

D. 271,603 11/1983 Berner D21/195



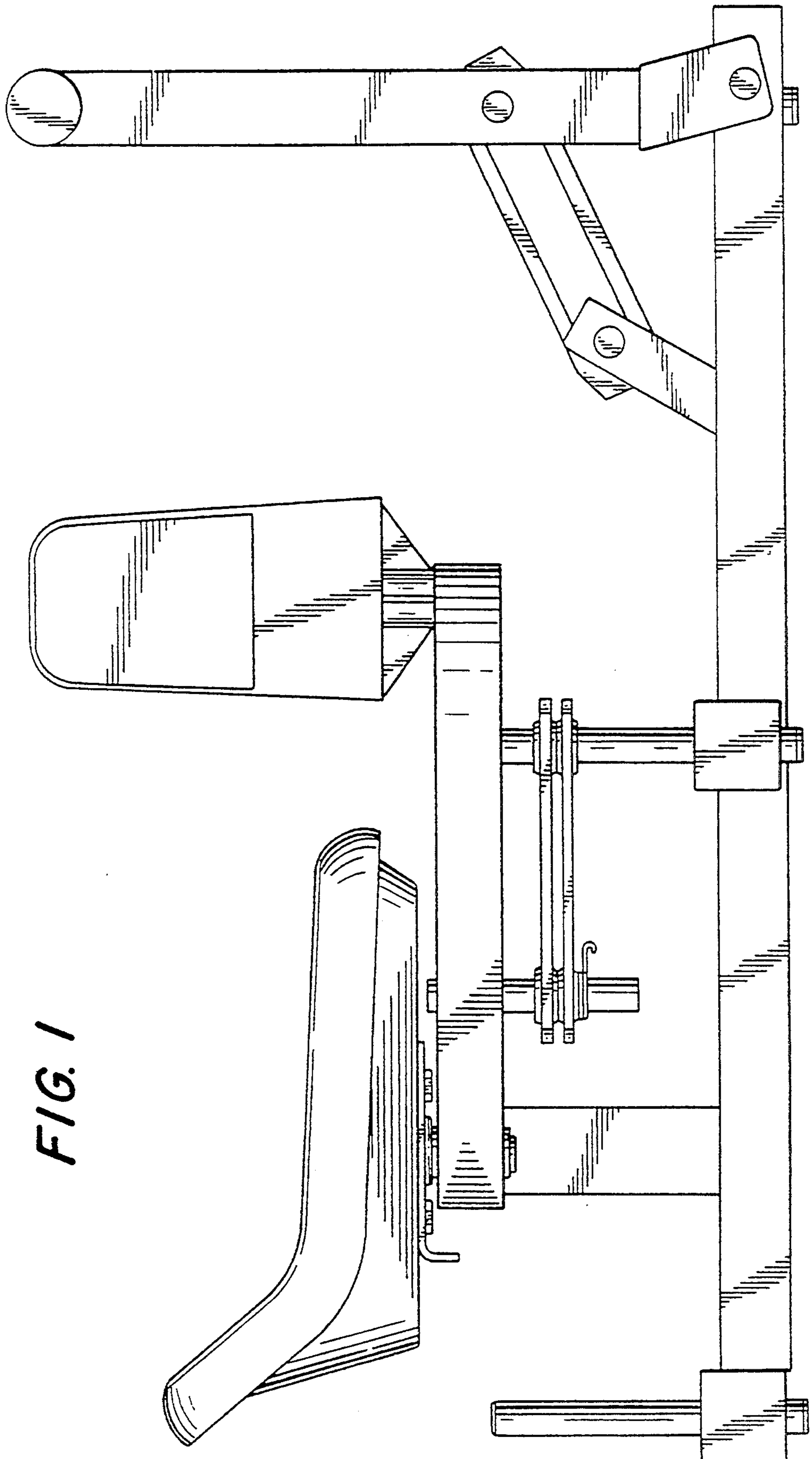


FIG. 1

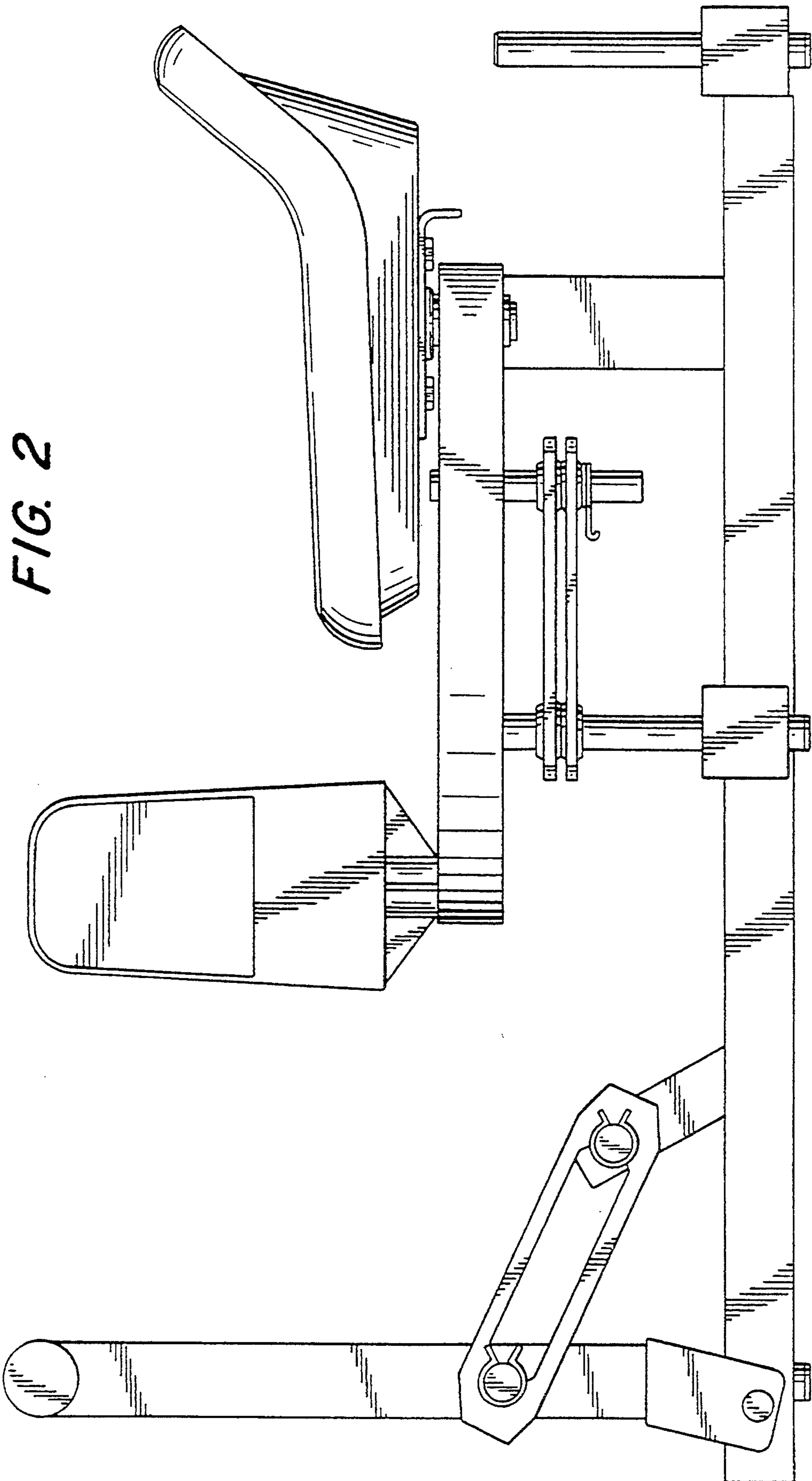


FIG. 3

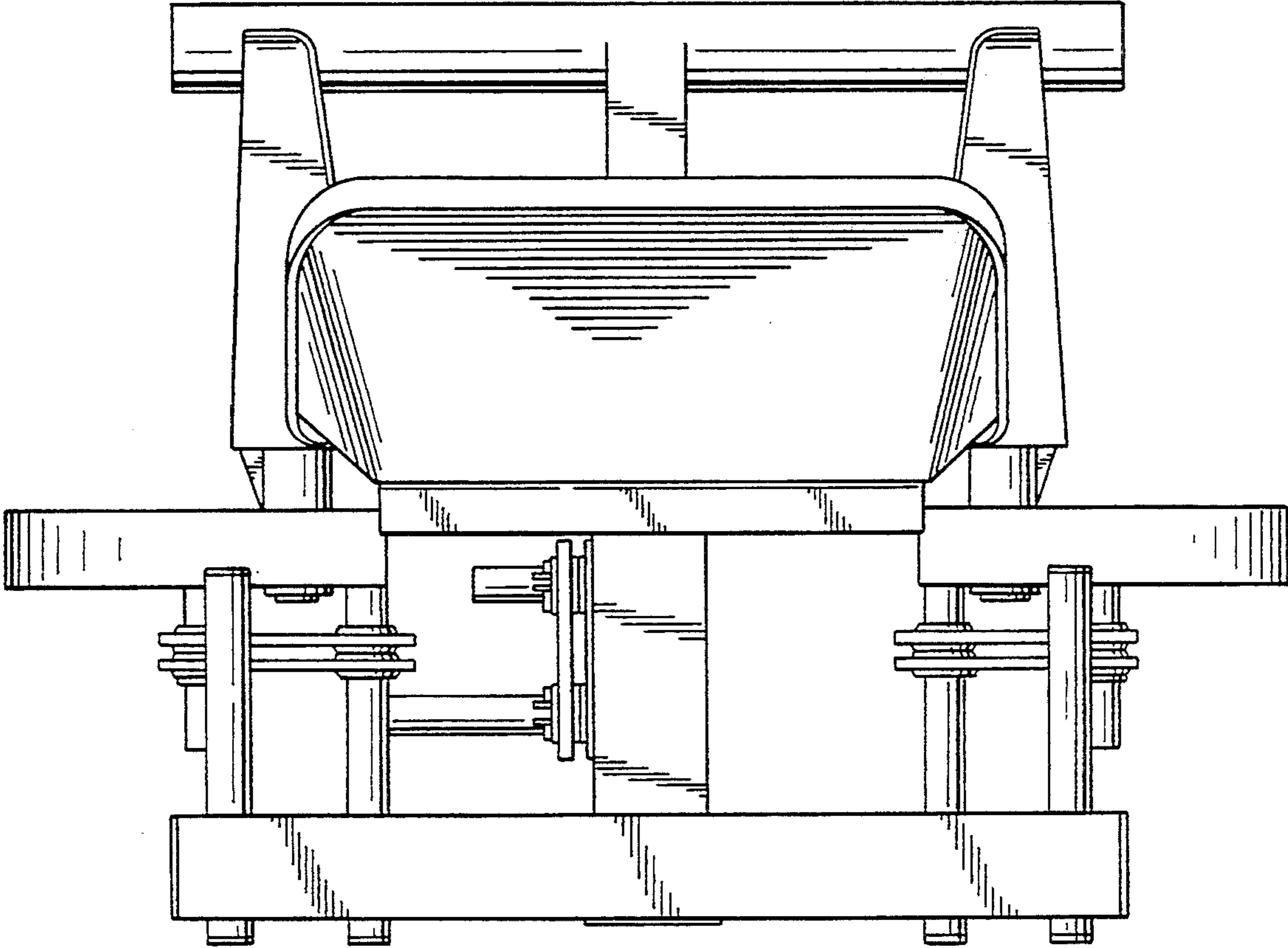
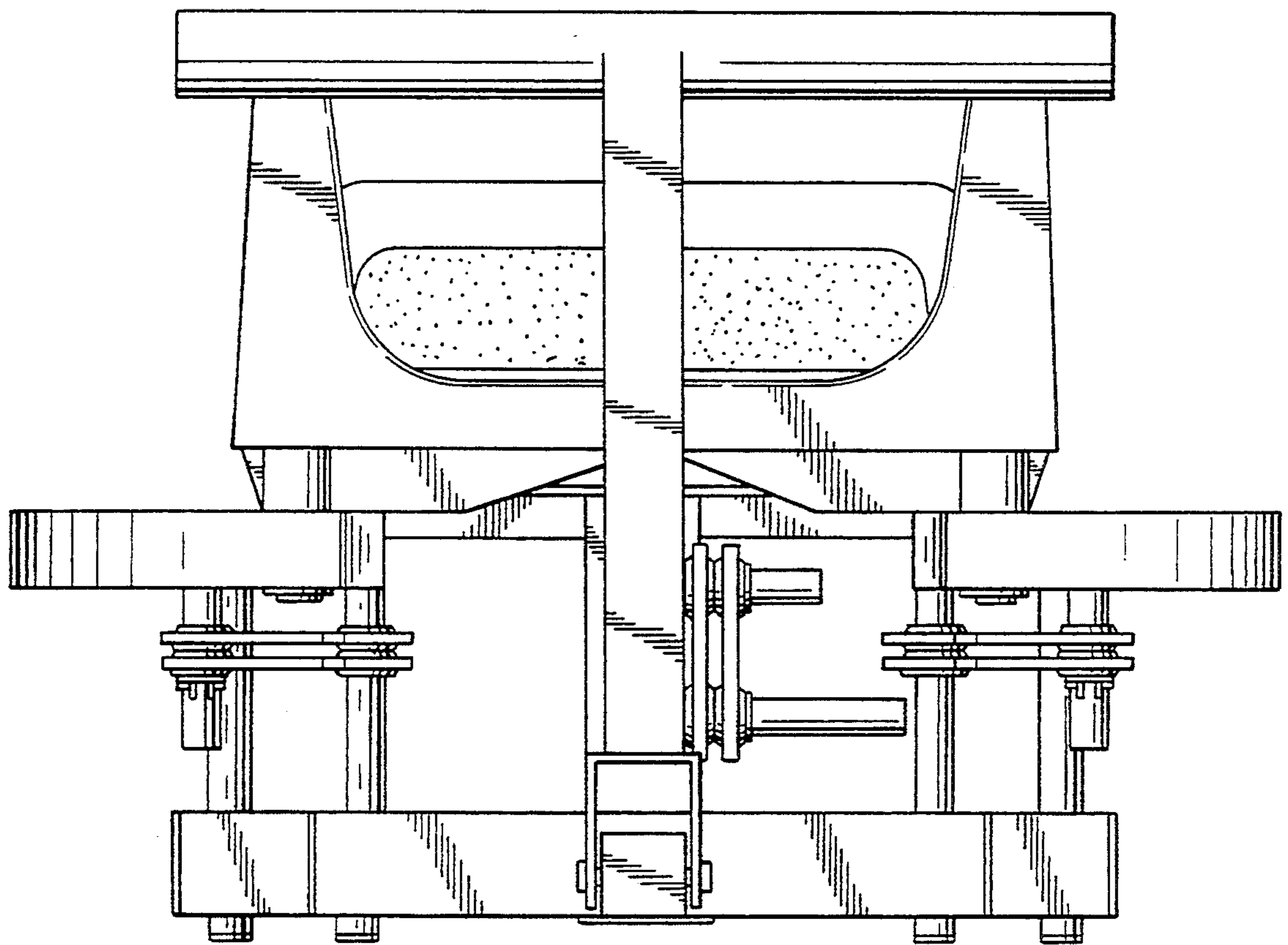


FIG. 4



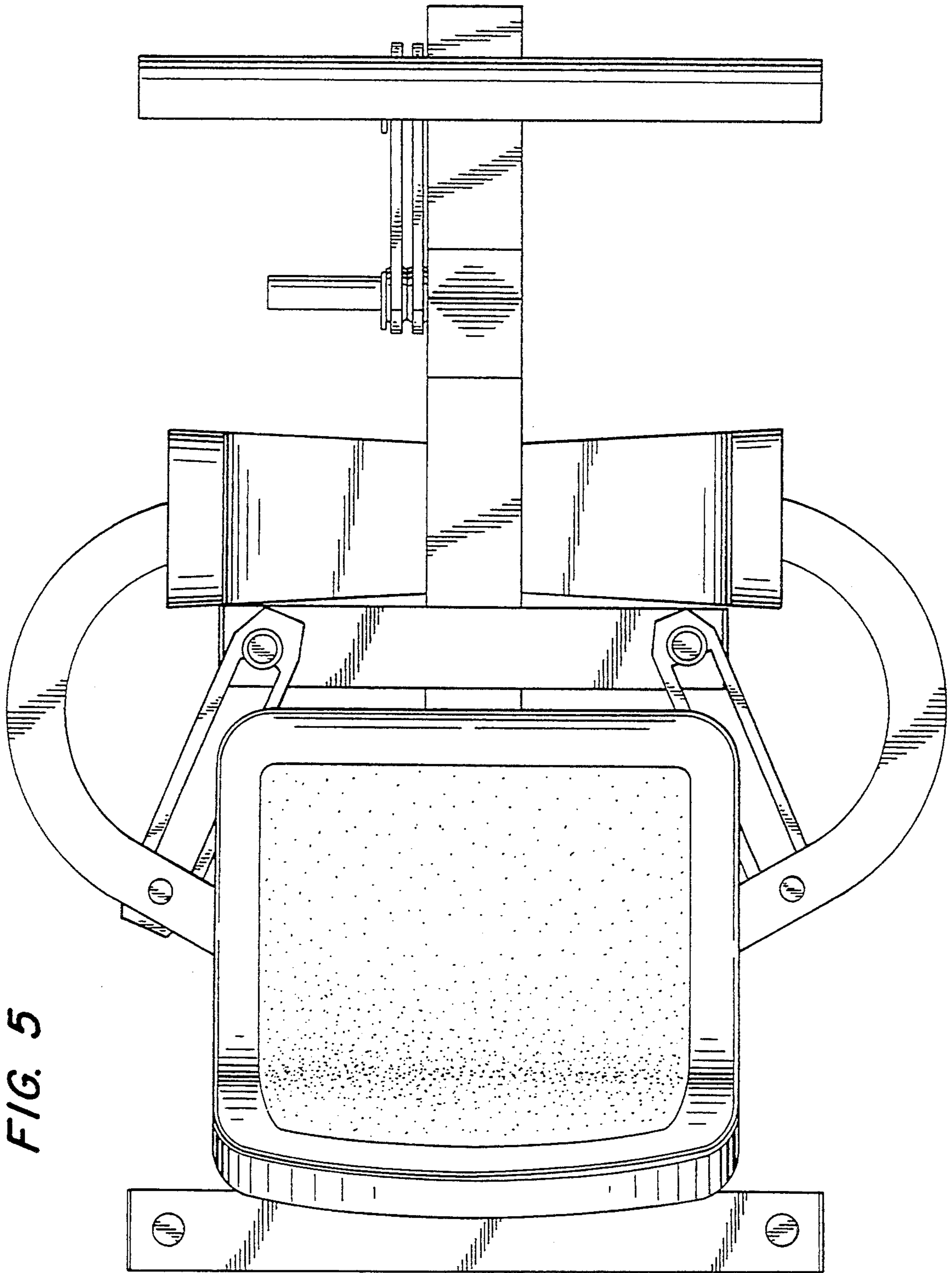


FIG. 5

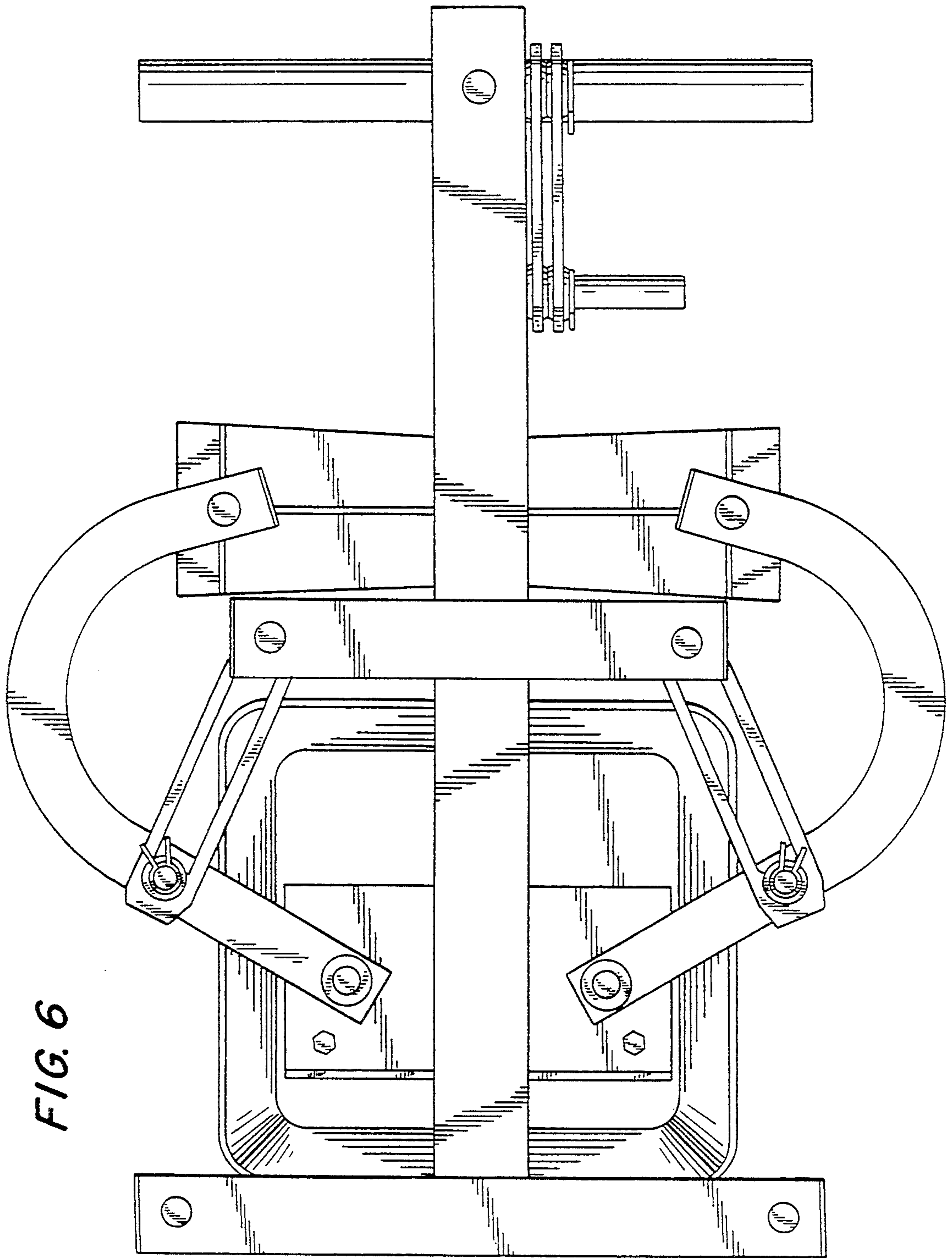


FIG. 6

FIG. 7

