



US00D360660S

United States Patent [19]

[11] **Patent Number: Des. 360,660**

Lee

[45] **Date of Patent: ** Jul. 25, 1995**

[54] **HOUSING FOR FLUID TOY**

Primary Examiner—Dominic Simone
Attorney, Agent, or Firm—Bacon & Thomas

[76] **Inventor: Vincent K. W. Lee**, No. 44, Lane 458,
Sheh Chung Street, Taipei, Taiwan

[57] **CLAIM**

[**] **Term: 14 Years**

The ornamental design for a housing for fluid toy, as shown and described.

[21] **Appl. No.: 19,999**

DESCRIPTION

[22] **Filed: Mar. 16, 1994**

FIG. 1 is a perspective view of a housing for fluid toy showing my new design;

[52] **U.S. Cl. D21/12; D21/59**

FIG. 2 is a front elevational view thereof;

[58] **Field of Search D21/12, 59; 273/457**

FIG. 3 is a rear elevational view thereof;

[56] **References Cited**

FIG. 4 is a side elevational view thereof;

U.S. PATENT DOCUMENTS

FIG. 5 is an elevational view of the side opposite to FIG. 4;

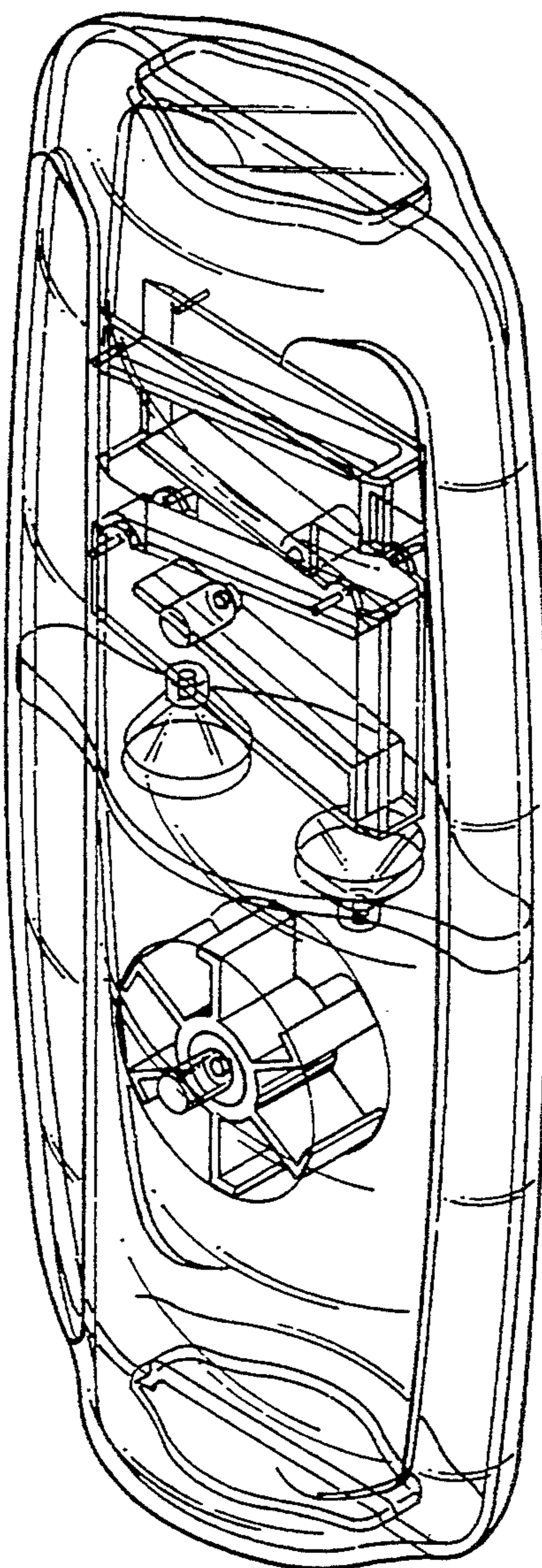
D. 259,131 5/1981 Stakwa D21/59

FIG. 6 is a top plan view thereof; and,

D. 309,328 7/1990 Noshiro D21/12

FIG. 7 is a bottom plan view thereof.

5,017,171 5/1991 Shiina 273/457 X



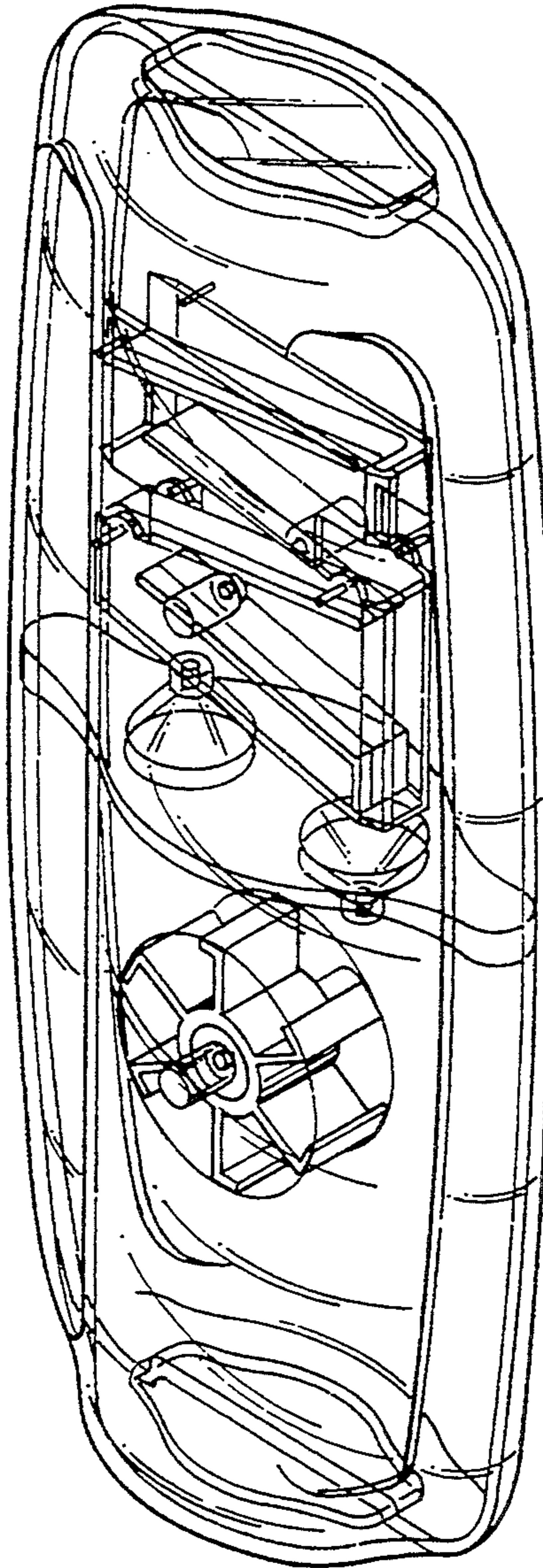


FIG. 1

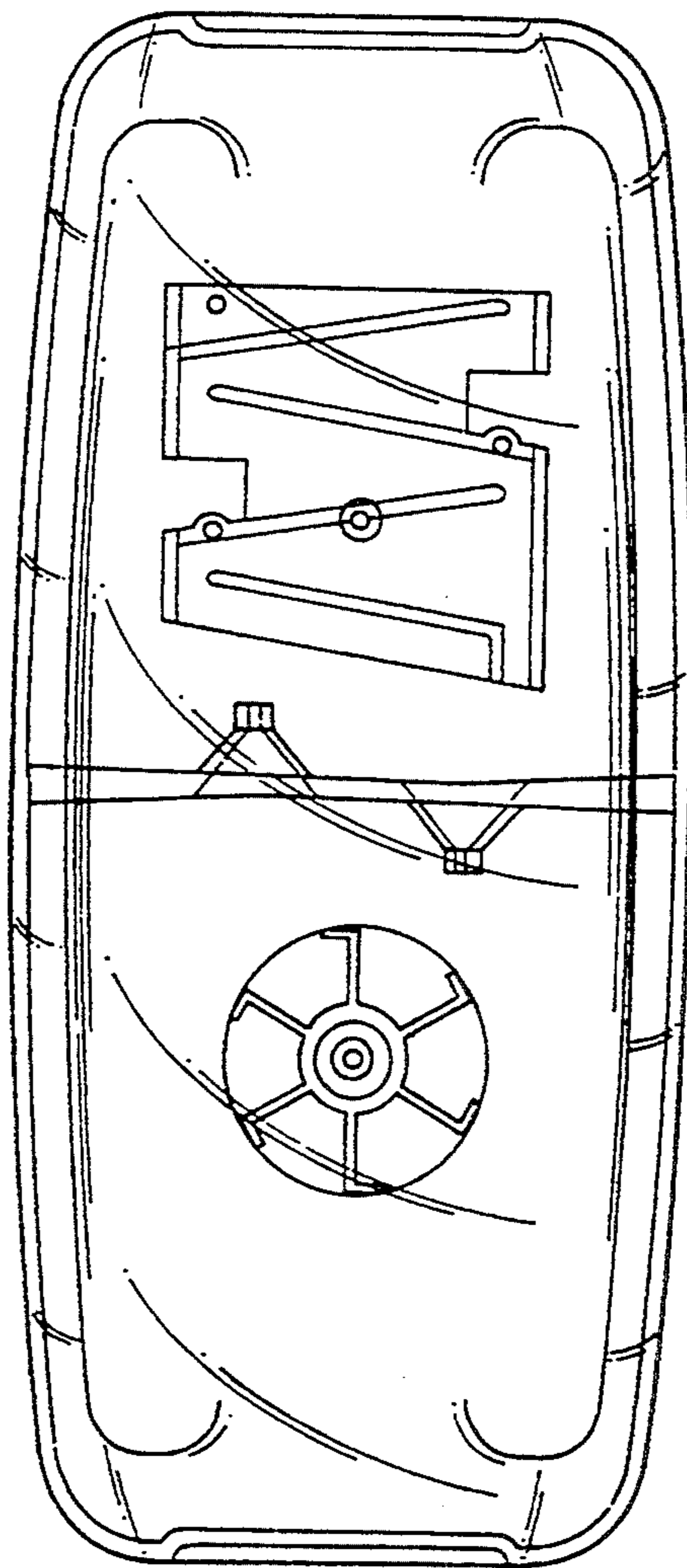


FIG. 2

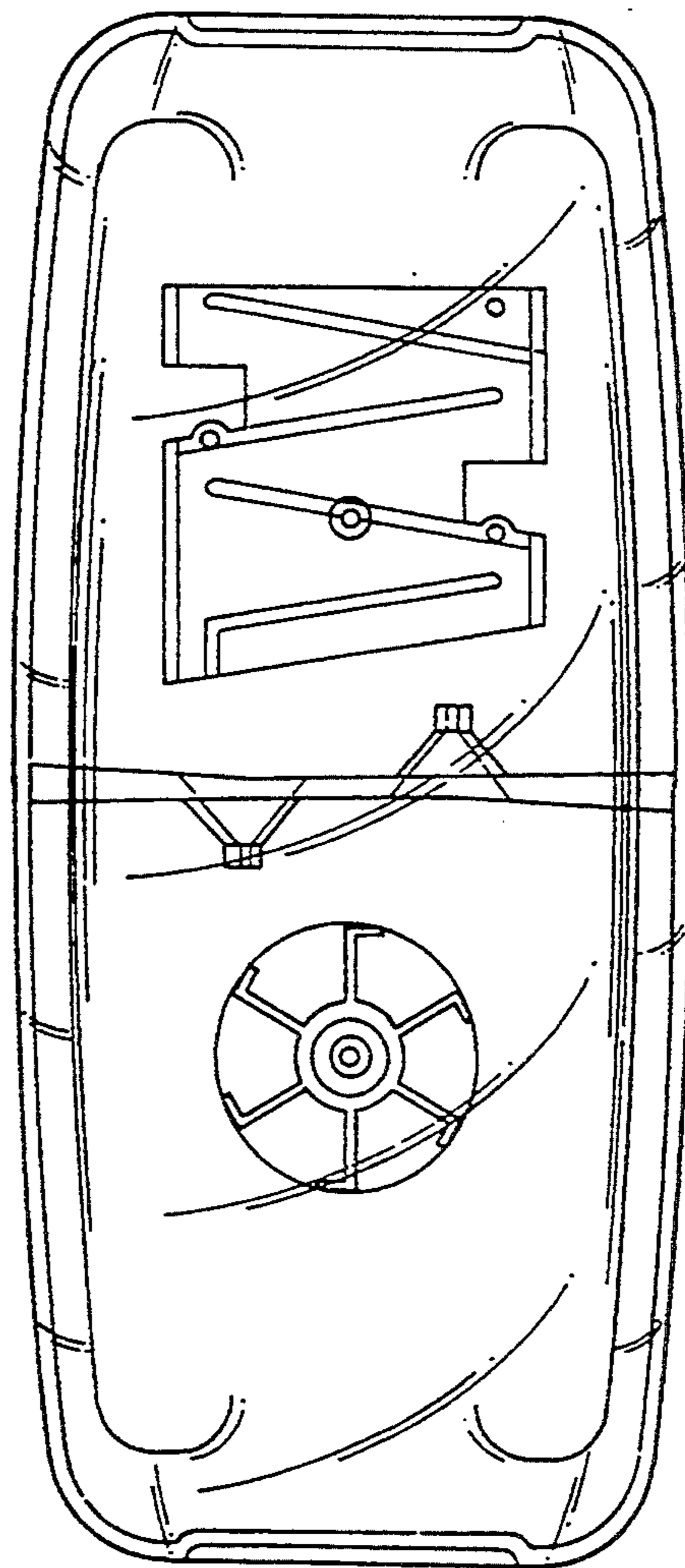


FIG. 3

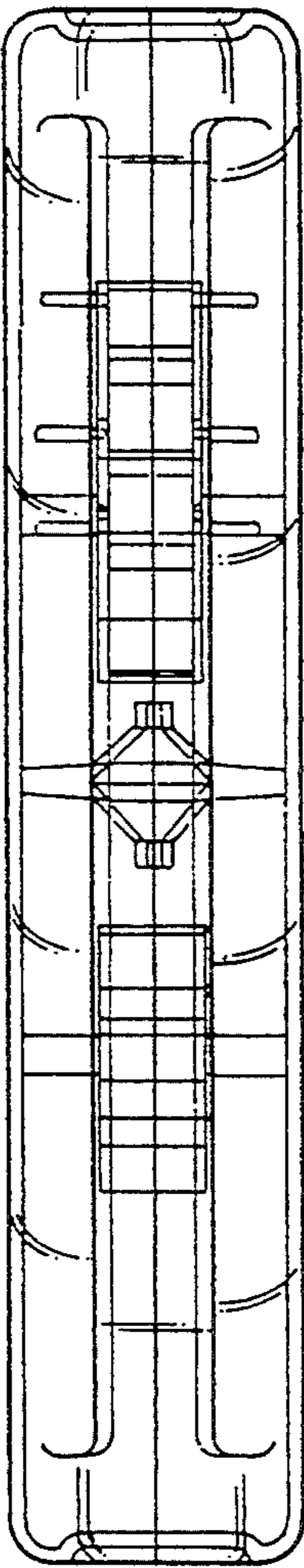


FIG. 4

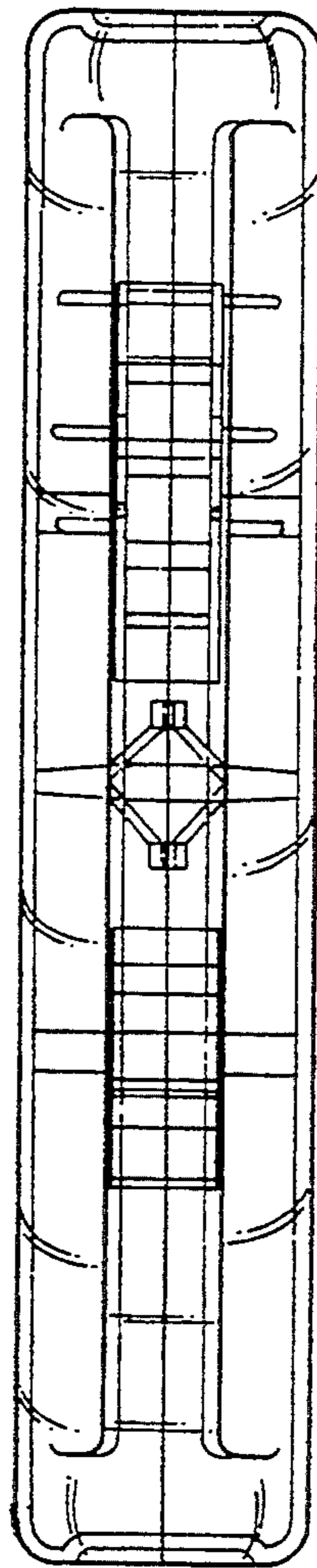


FIG. 5

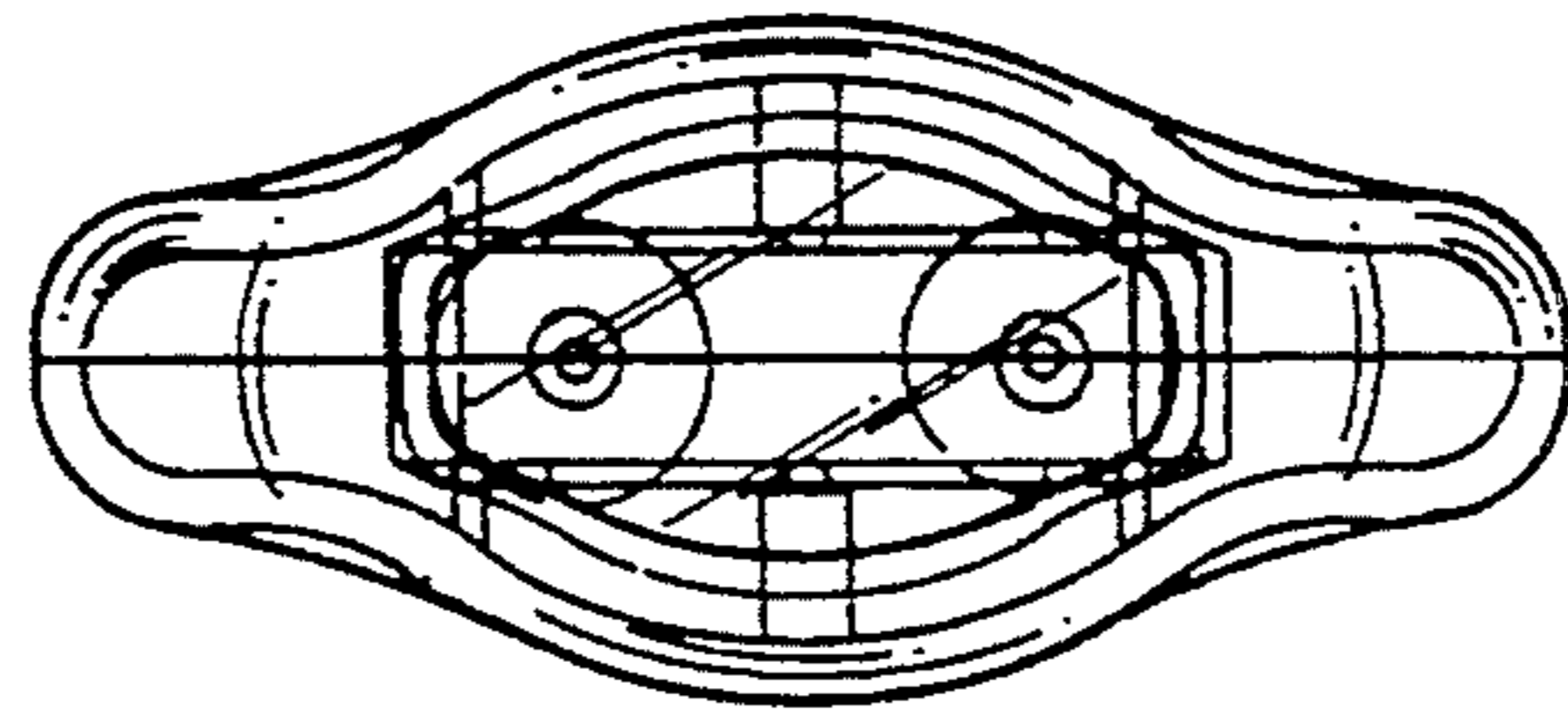


FIG. 6

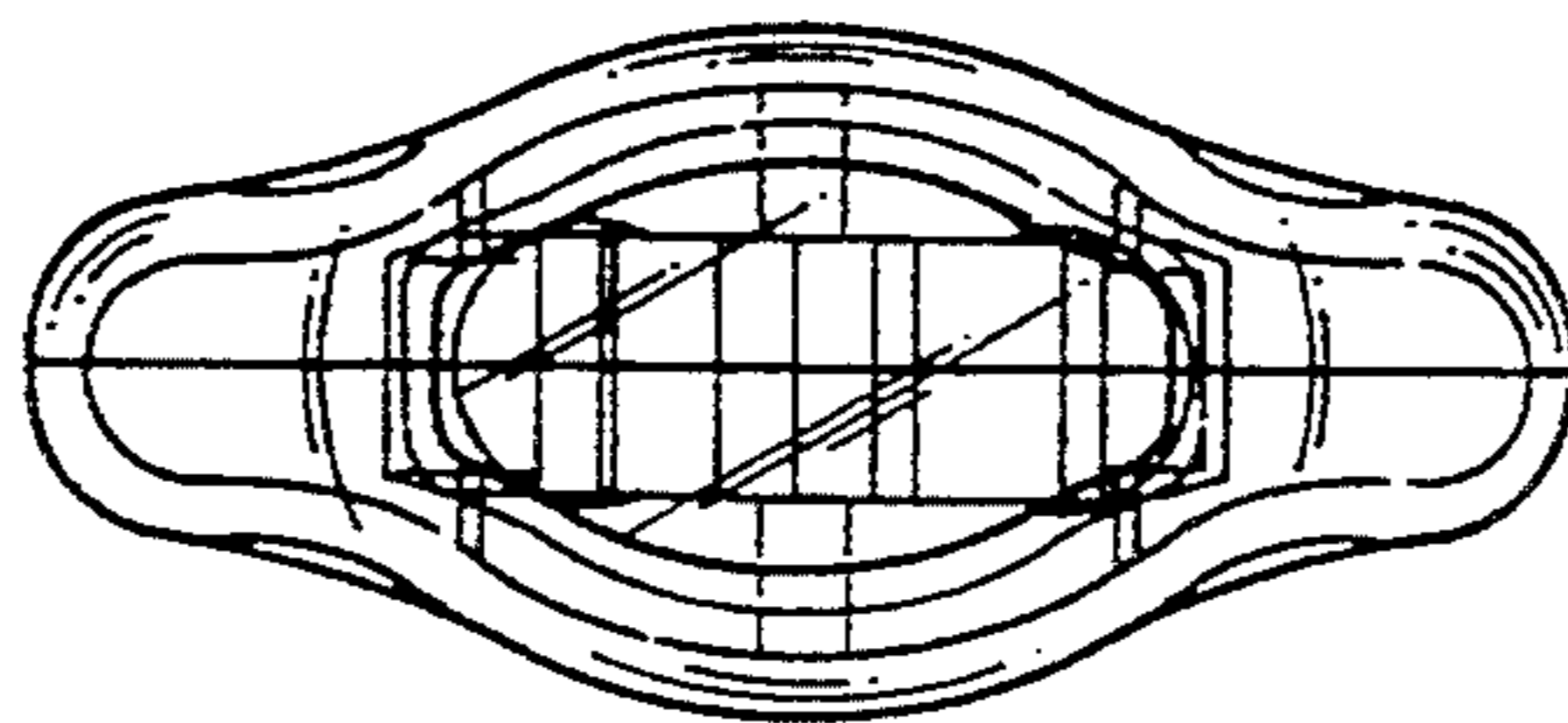


FIG. 7