



US00D360652S

United States Patent [19]

[11] Patent Number: Des. 360,652

Packard et al.

[45] Date of Patent: ** Jul. 25, 1995

[54] IDENTIFICATION TAG

[75] Inventors: Joy A. Packard; Thomas J. Packard, both of Somerset, Wis.

[73] Assignee: Minnesota Mining and Manufacturing Company, St. Paul, Minn.

[**] Term: 14 Years

[21] Appl. No.: 16,472

[22] Filed: Dec. 15, 1993

Related U.S. Application Data

- [63] Continuation-in-part of Ser. No. 13,976, Oct. 8, 1993.
- [52] U.S. Cl. D20/22
- [58] Field of Search D20/10, 22, 23, 27, D20/28, 40, 41, 42, 43; 40/1, 1.6, 124, 124.1, 299, 316, 317, 334

[56] References Cited

U.S. PATENT DOCUMENTS

D. 129,474	9/1941	Forsman	D20/23
D. 229,606	4/1971	Zarson	D20/27
D. 342,098	12/1993	Wolff	D20/27
4,033,057	7/1977	Jaffe	40/316
4,662,094	5/1987	Jaffe	40/316

OTHER PUBLICATIONS

Product literature entitled "Tycos Harvey Elite Cardiology Stethoscope", (1 page).
 Product literature entitled "NEW from 3M Litt-

mann TM, Special Edition stethoscope", (2 page), ©1993.

Product literature entitled "3M Littman TM Stethoscope", (6 pages), ©1993.

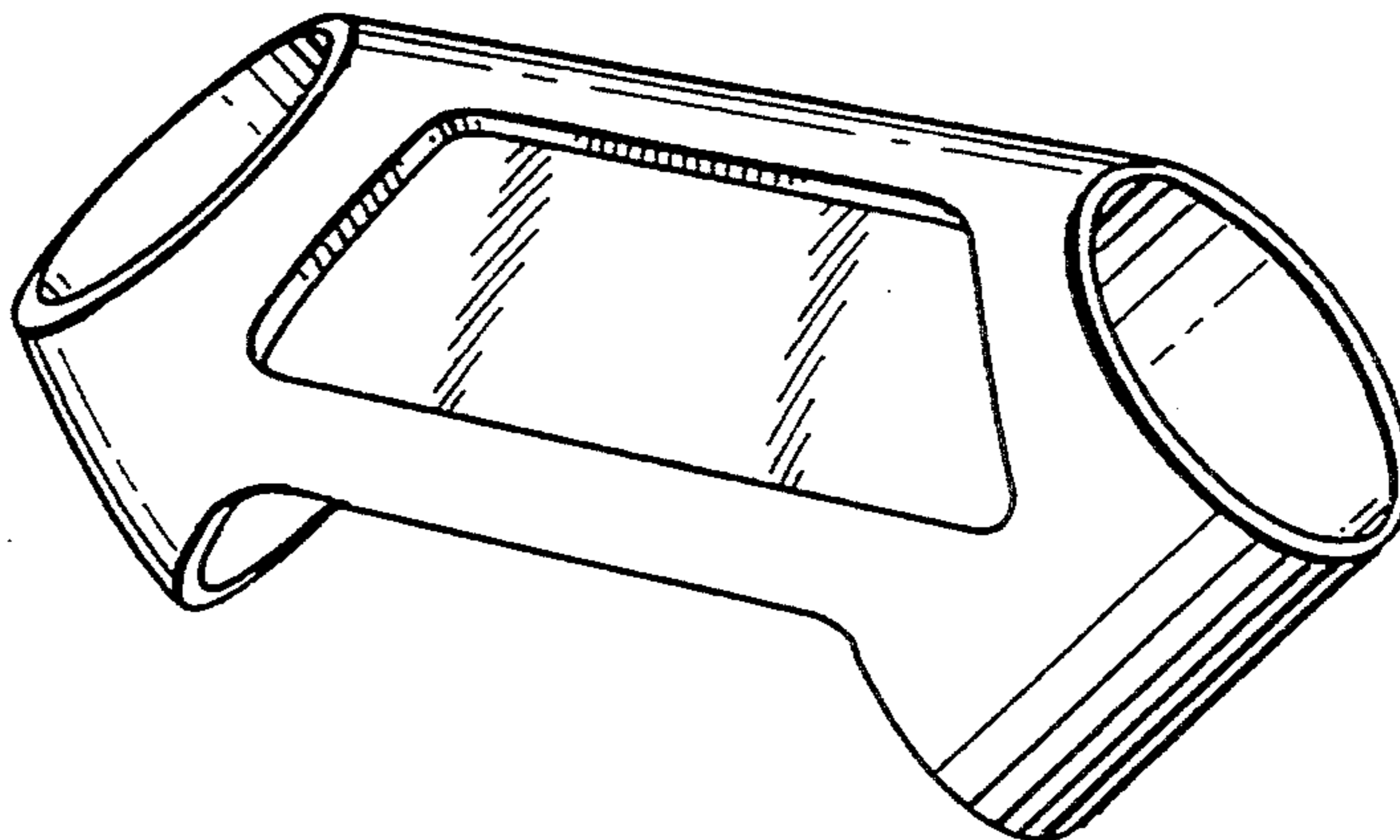
Primary Examiner—Wallace R. Burke
 Assistant Examiner—Marcus Jackson
 Attorney, Agent, or Firm—Gary L. Griswold; Walter N. Kirn; Jeffrey J. Hohenshell

[57] CLAIM

The ornamental design for an identification tag, as shown and described.

DESCRIPTION

FIG. 1 is a perspective view of an assembled identification tag showing your new design;
 FIG. 2 is a top view thereof;
 FIG. 3 is a front view thereof;
 FIG. 4 is a bottom view thereof;
 FIG. 5 is a rear view thereof;
 FIG. 6 is a left view thereof;
 FIG. 7 is a right view thereof;
 FIG. 8 is a perspective view thereof, with the identification tag shown in use, and with the broken line showing for illustrative purposes only and forming no part of the claimed design;
 FIG. 9 is a reduced top plan view thereof, with the identification tag shown in an unassembled condition;
 FIG. 10 is a front view of the blank of FIG. 9;
 FIG. 11 is a back view of the blank of FIG. 9;
 FIG. 12 is a right side view of the blank of FIG. 9, the left side being a mirror image thereof; and,
 FIG. 13 is a bottom view of the blank of FIG. 9.



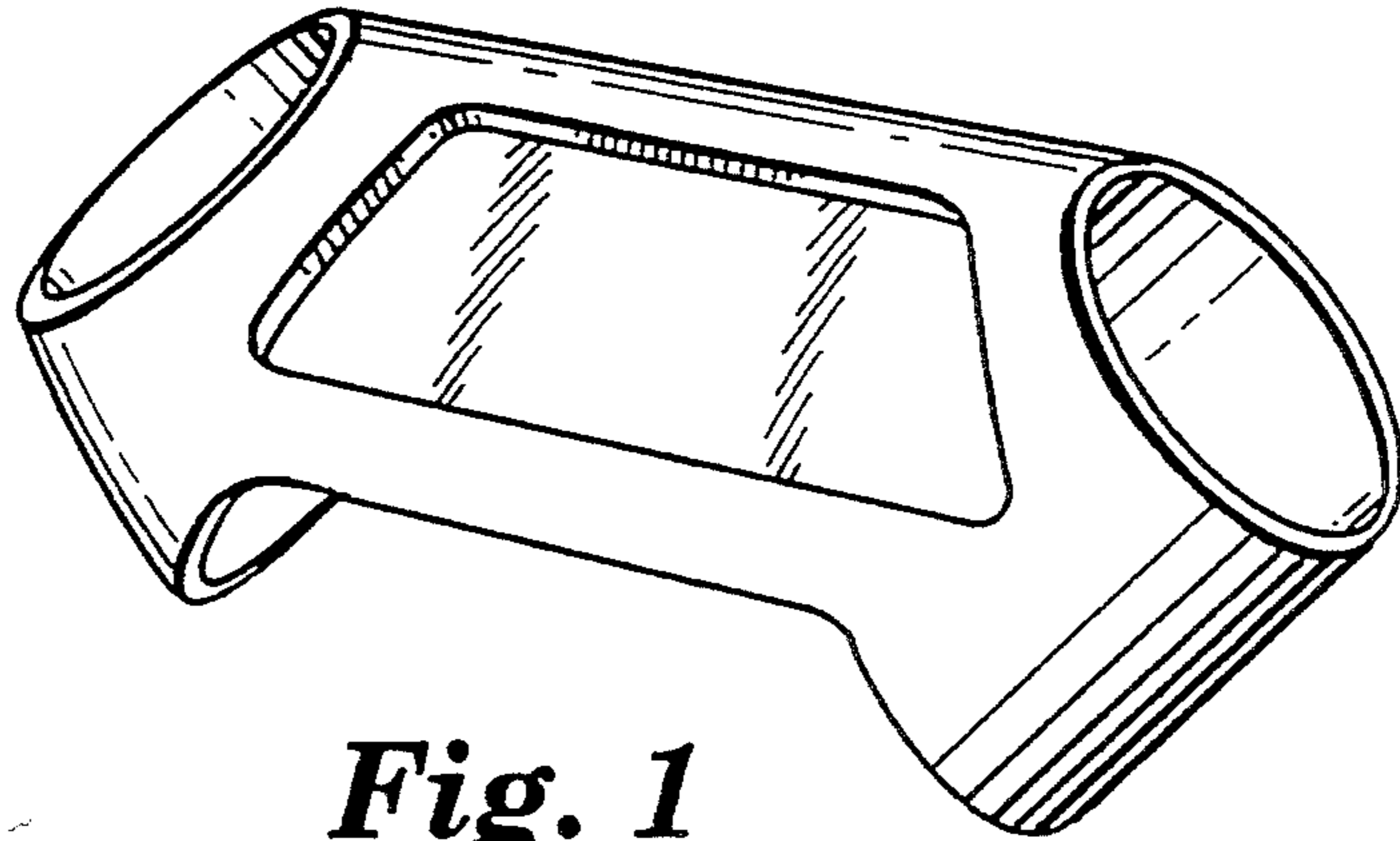


Fig. 1

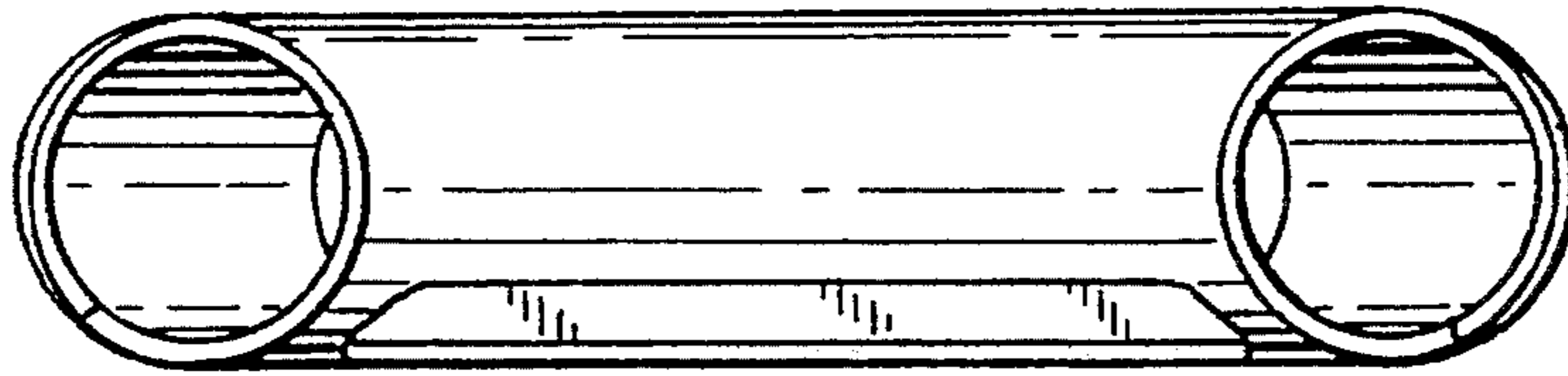


Fig. 2

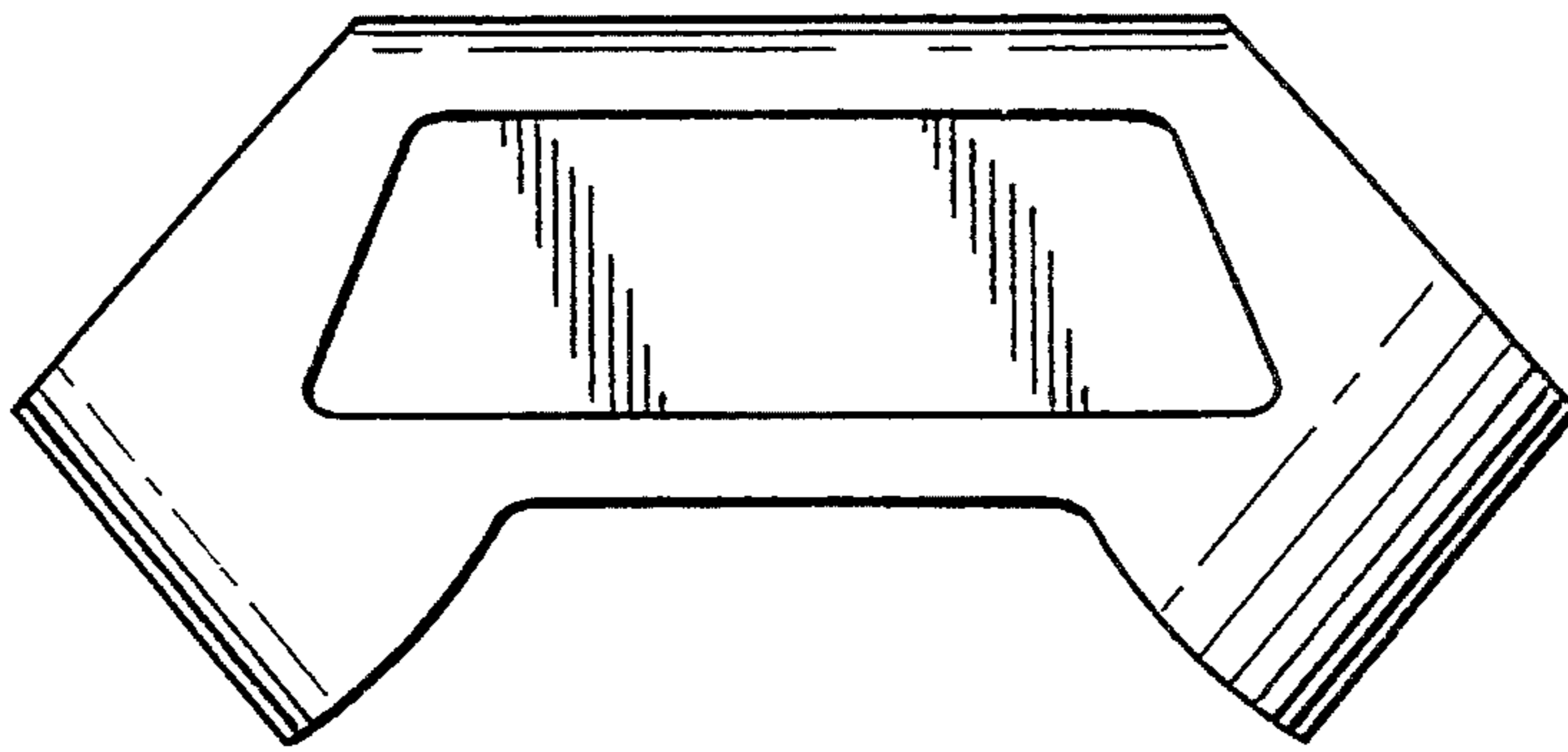


Fig. 3

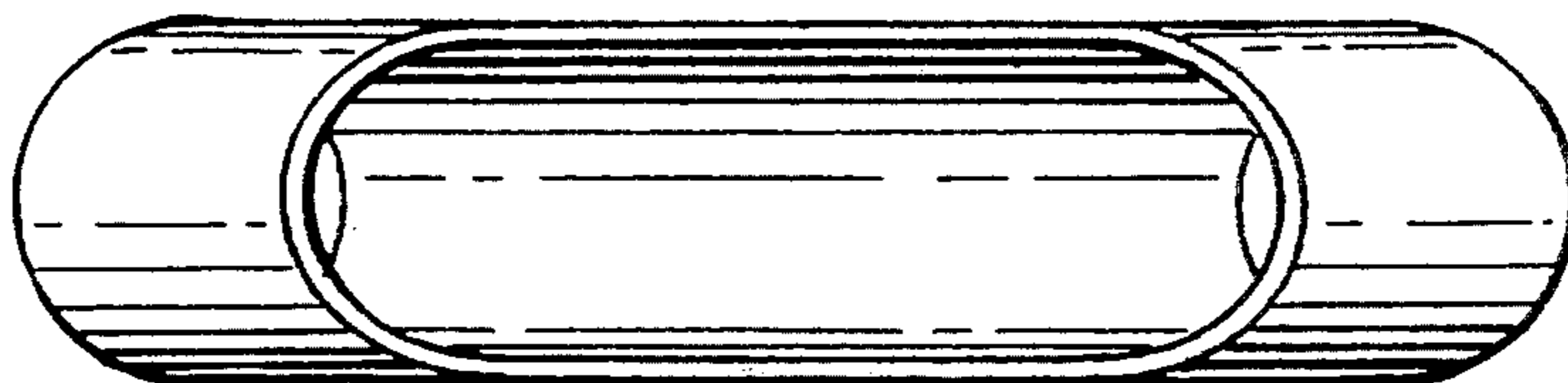


Fig. 4

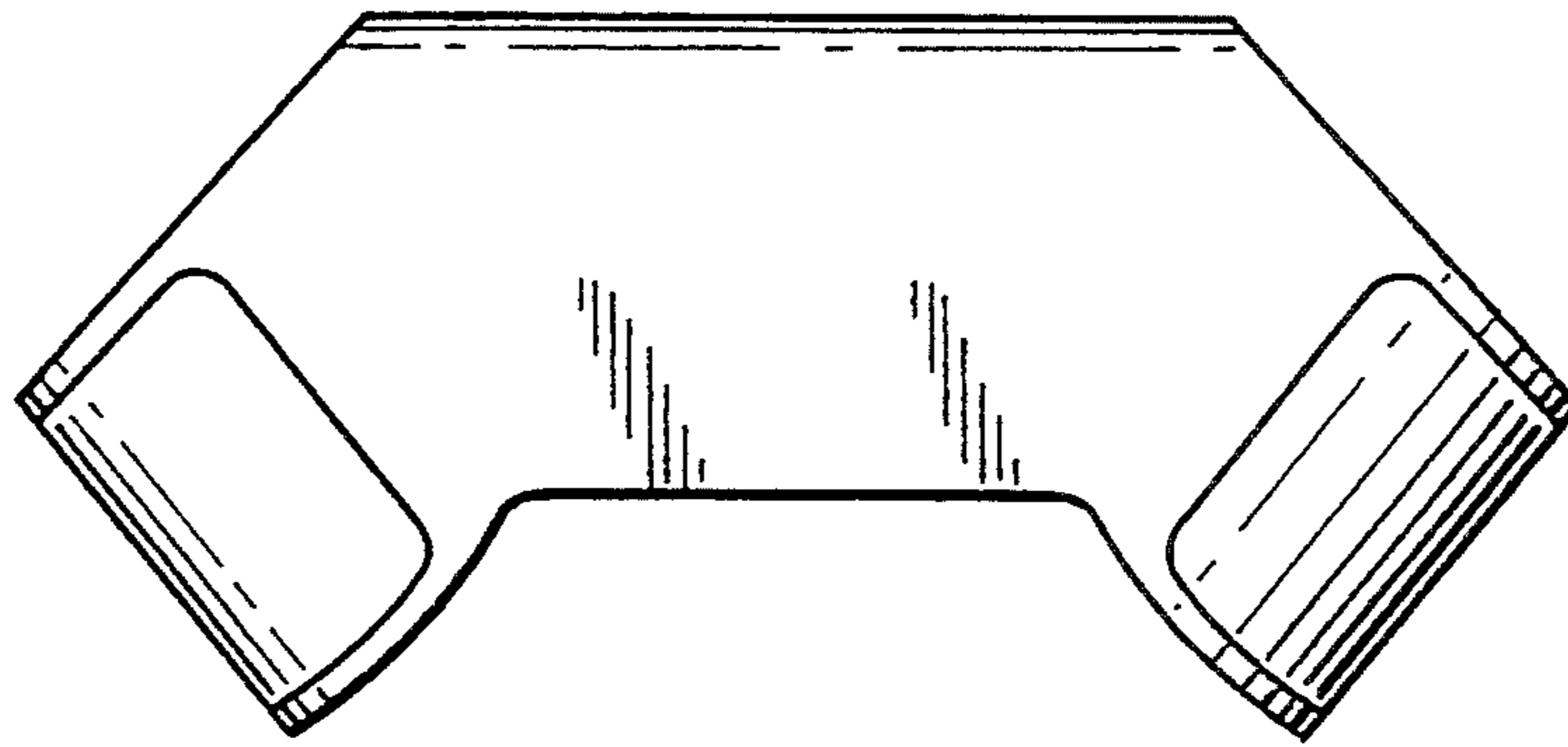


Fig. 5

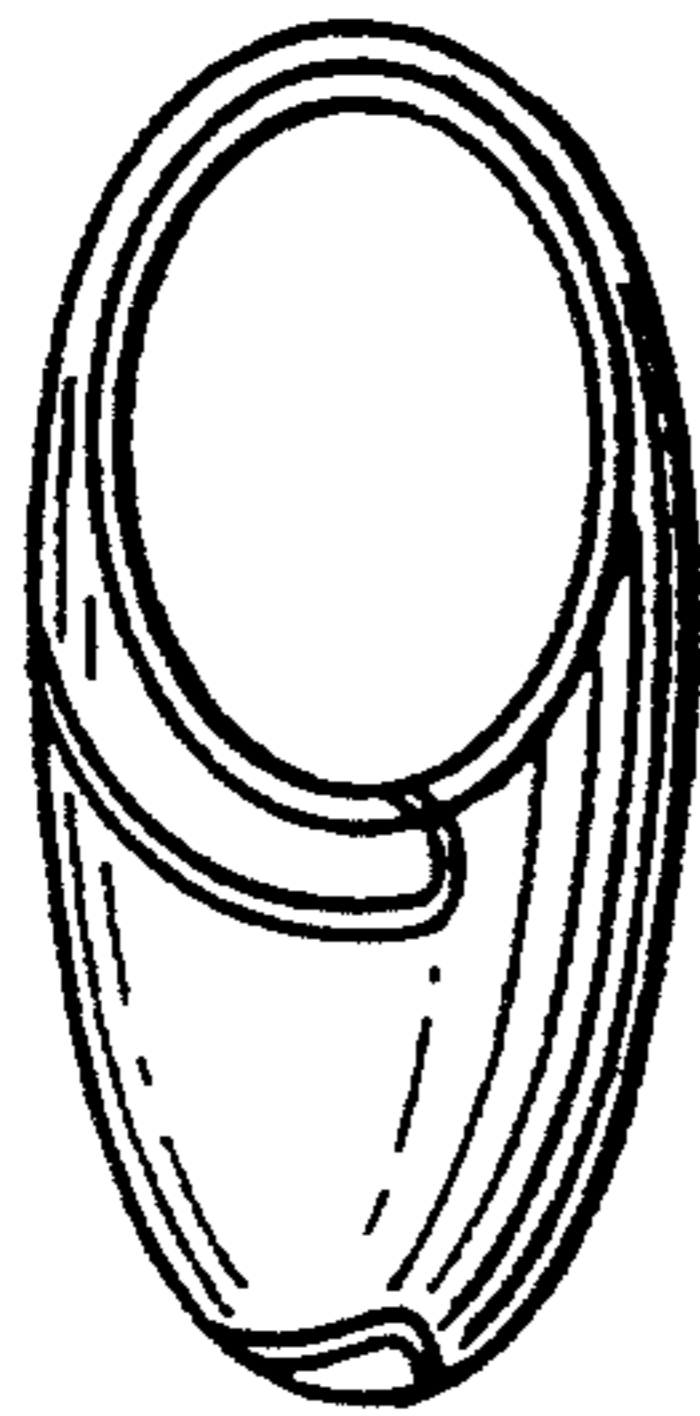


Fig. 6

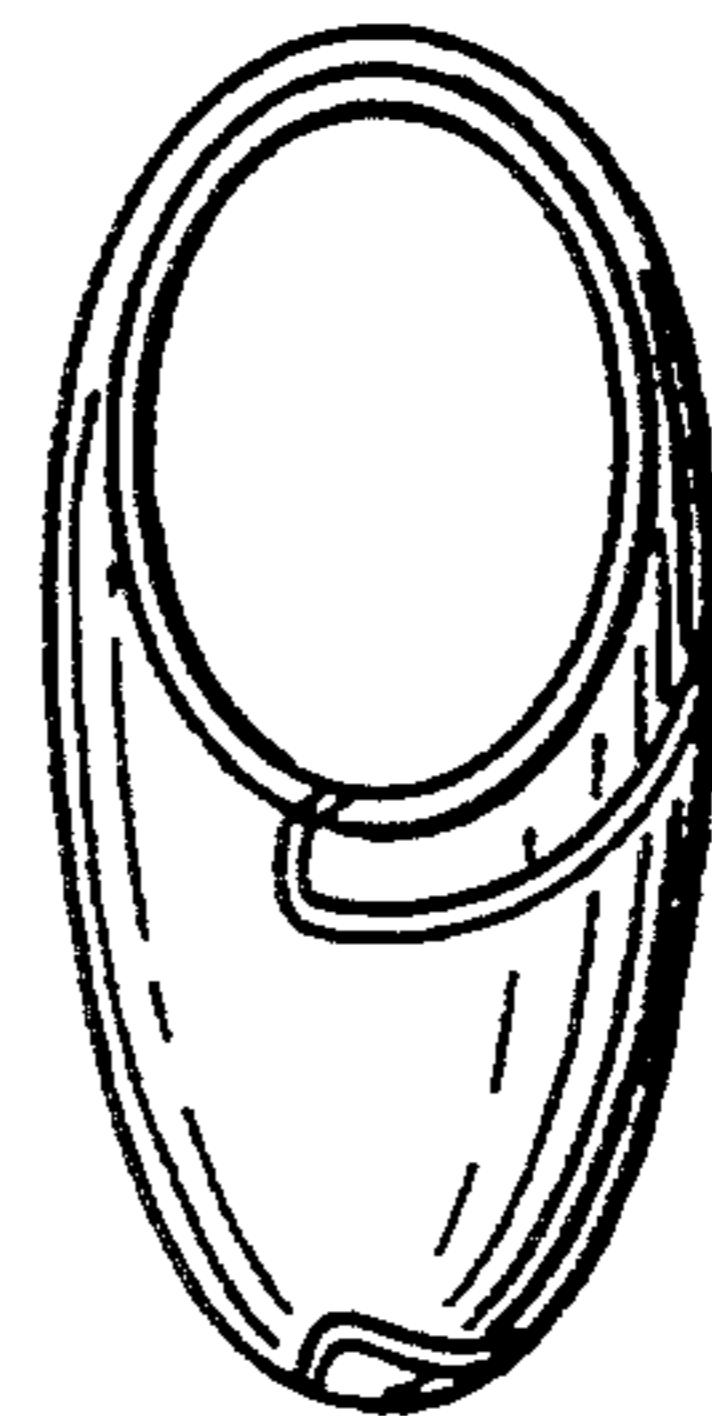


Fig. 7

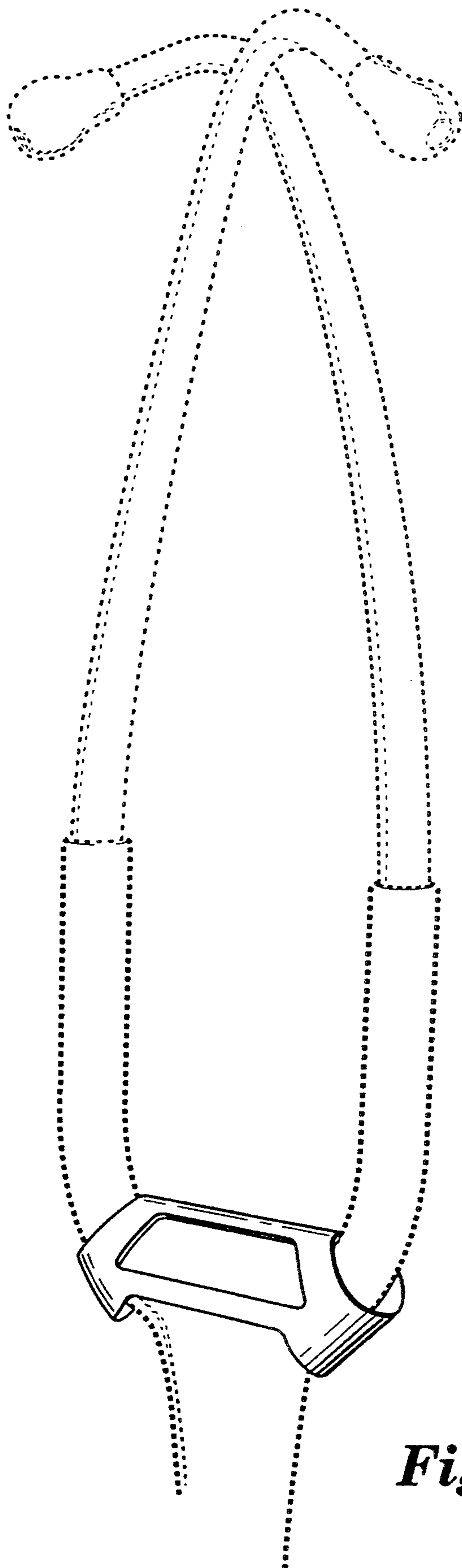


Fig.8



Fig. 11

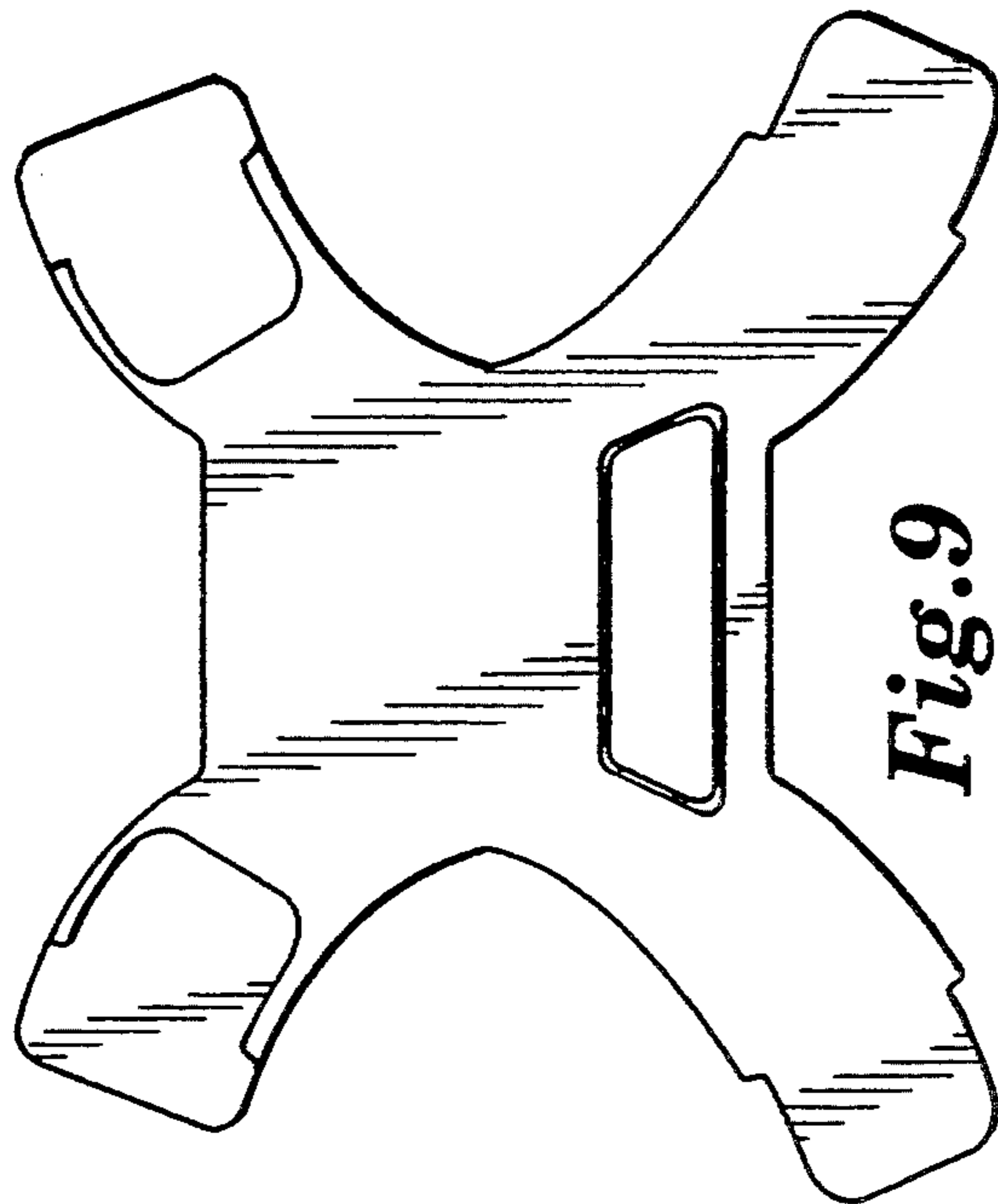


Fig. 9

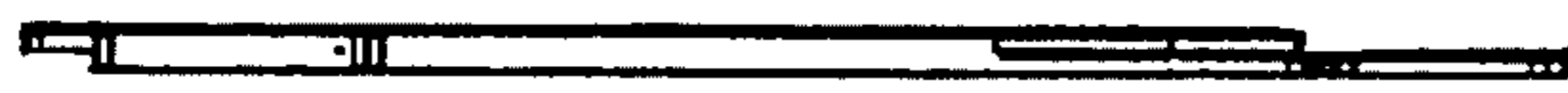


Fig. 12

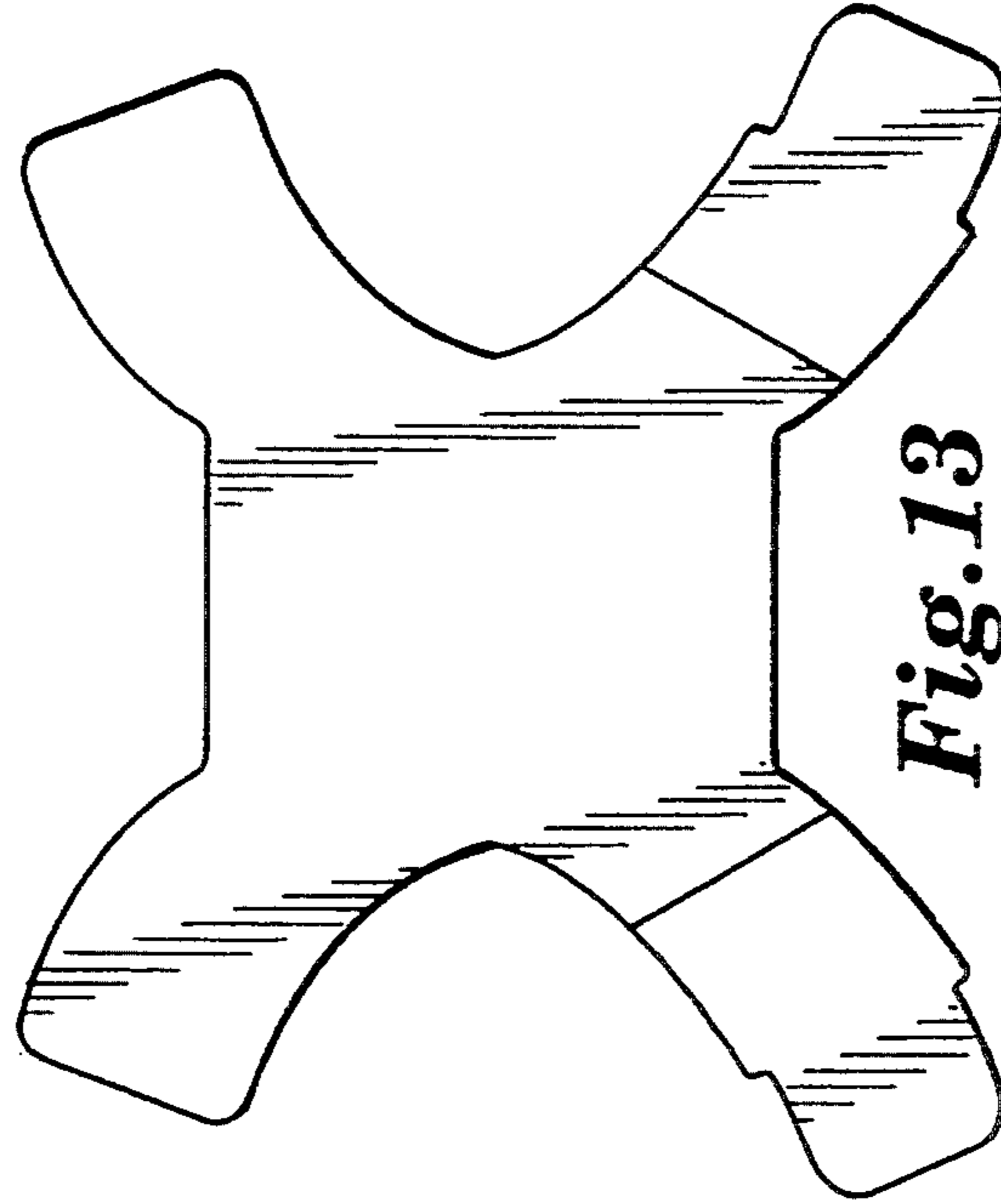


Fig. 13



Fig. 10