



US00D360649S

# United States Patent [19]

[11] Patent Number: **Des. 360,649**

Volk et al.

[45] Date of Patent: **\*\* Jul. 25, 1995**

[54] **WRITING SURFACE AND ENCLOSURE FOR SUPPLIES**

[75] Inventors: **Robert S. Volk**, Easton, Pa.; **Joseph A. Marino**, Whitehouse Station, N.J.

[73] Assignee: **Binney & Smith, Inc.**, Easton, Pa.

[\*\*] Term: **14 Years**

[21] Appl. No.: **26,475**

[22] Filed: **Jul. 28, 1994**

[52] U.S. Cl. .... **D19/36; D19/52; D19/85; D19/78; D19/59**

[58] Field of Search ..... **D19/35, 36, 52, 65, D19/75, 77, 78, 81-85, 86, 99, 100; D21/59; 434/85, 87, 88, 408, 86, 90, 428, 430, 432; 206/214, 224, 371; 211/69.1-69.9**

[56] **References Cited**

**U.S. PATENT DOCUMENTS**

D. 118,936	2/1940	Guild	.....	D19/89
D. 131,493	3/1942	Norwood	.....	D19/89
D. 154,294	6/1949	Marlow	.....	D19/89 X
D. 200,881	4/1965	Anderson	.....	D19/35 X
D. 232,231	7/1974	Butler	.....	D19/52 X
D. 247,441	3/1978	Kroll	.....	D19/36
D. 257,994	1/1981	Kroll	.....	D19/52 X
D. 316,727	5/1991	Greenspahn	.....	D19/35
D. 325,939	5/1992	Kroll	.....	D21/59
D. 330,045	10/1992	Dietterich et al.	.....	D19/36

D. 344,975	3/1994	Tarozzi	.....	D19/36
D. 345,177	3/1994	Mak	.....	D19/52
531,065	12/1894	Rubin	.....	206/214 X
1,193,181	8/1916	Peck	.....	206/1.7
4,306,868	12/1981	Hankins	.....	434/85
4,496,510	1/1985	Hanson et al.	.....	264/176 R
4,604,062	8/1986	Woods	.....	434/88
4,807,538	2/1989	Hoffman	.....	108/25
4,836,783	6/1989	Harper	.....	434/87
5,141,438	8/1992	Spector	.....	434/87
5,163,846	11/1992	Lee	.....	434/408
5,203,702	4/1993	Wilson	.....	434/85

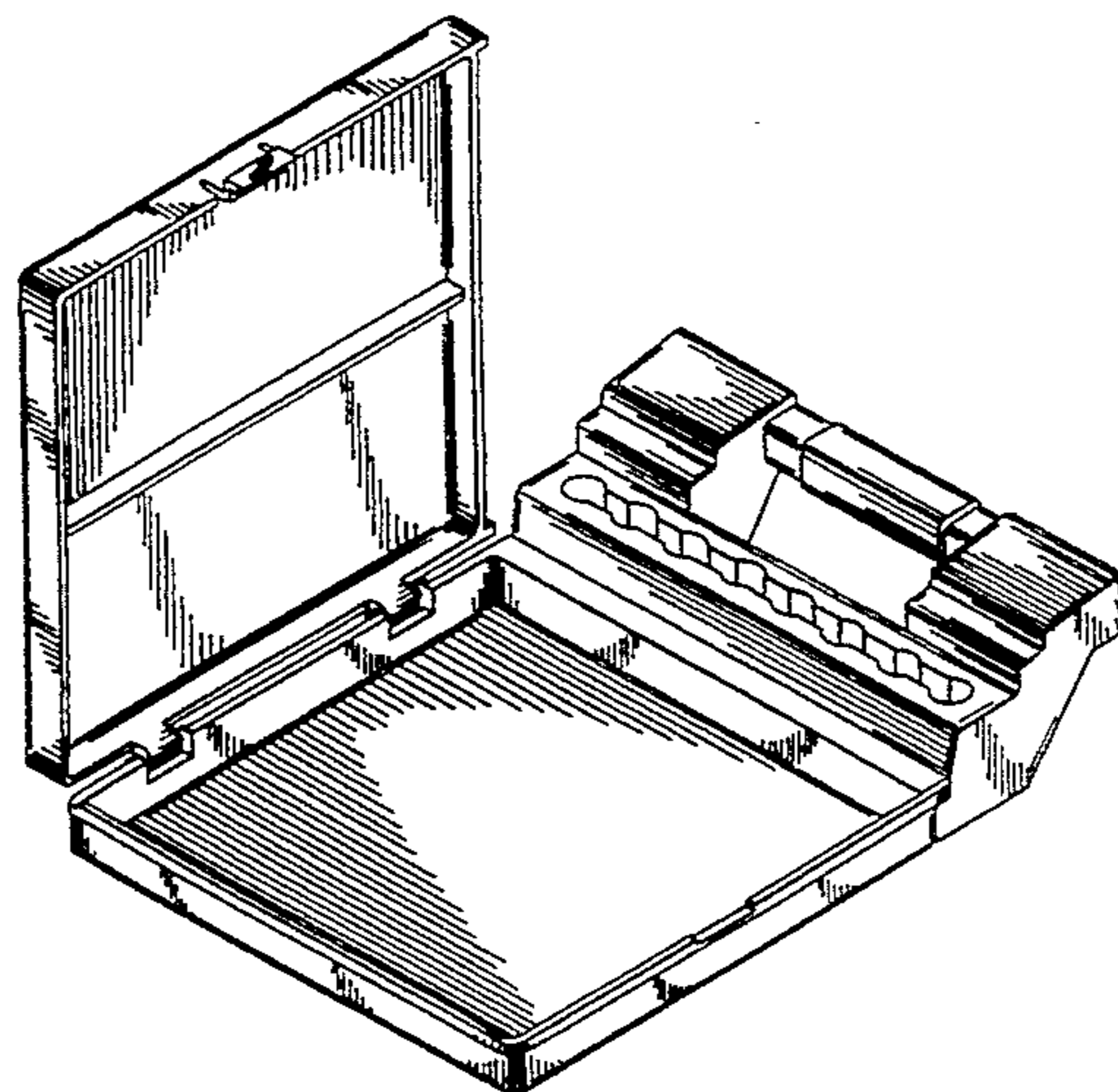
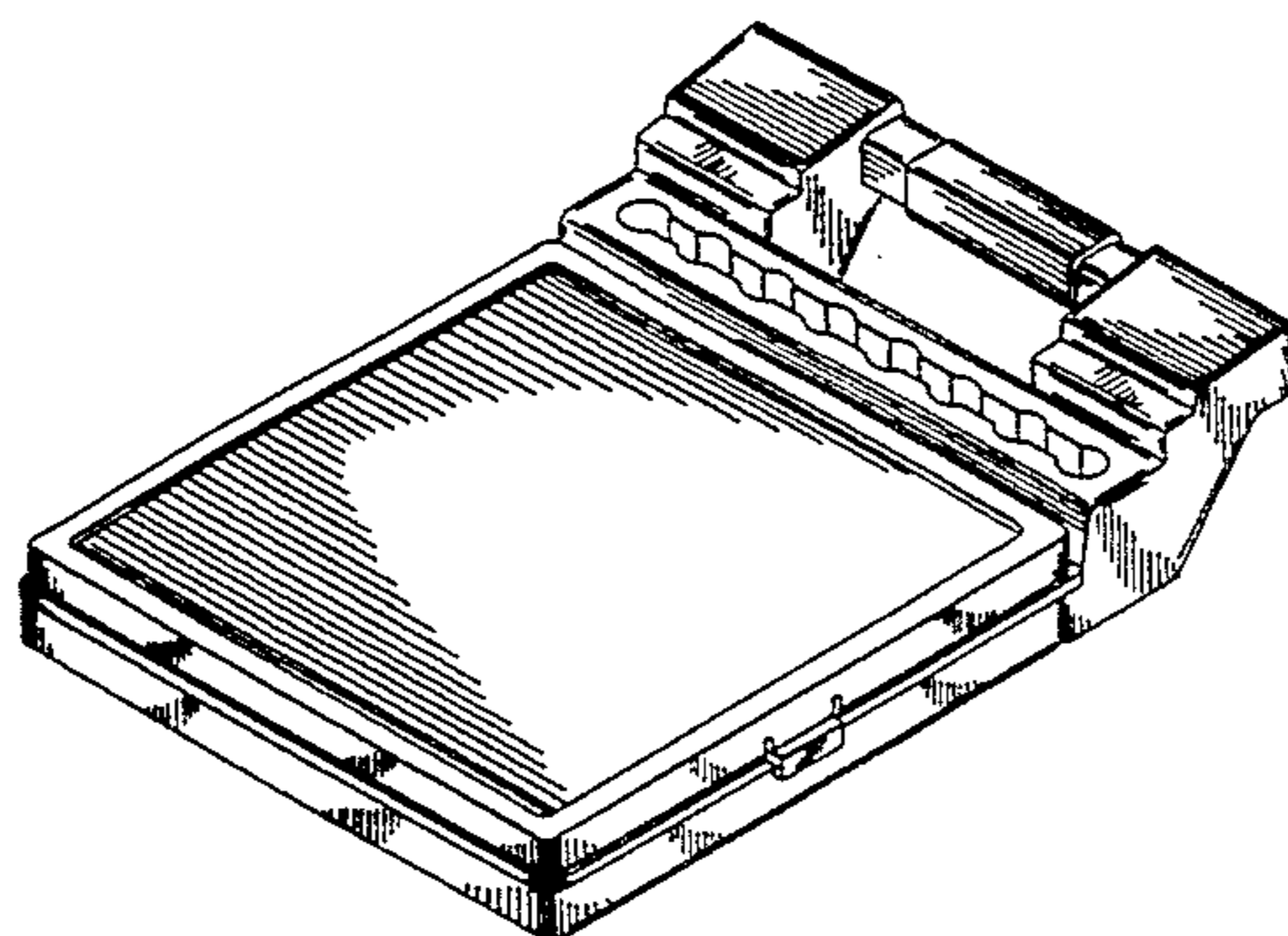
*Primary Examiner*—Martie Thompson  
*Attorney, Agent, or Firm*—Leydig, Voit & Mayer, Ltd.

[57] **CLAIM**

The ornamental design for a writing surface and enclosure for supplies, as shown and described.

**DESCRIPTION**

FIG. 1 is a right front perspective view of the writing surface and enclosure for supplies;  
FIG. 2 is a top plan view thereof;  
FIG. 3 is a left side elevational view thereof;  
FIG. 4 is a right side elevational view thereof;  
FIG. 5 is a front elevational view thereof;  
FIG. 6 is a rear elevational view thereof;  
FIG. 7 is a bottom view thereof; and,  
FIG. 8 is a right front perspective view thereof shown in the open position.



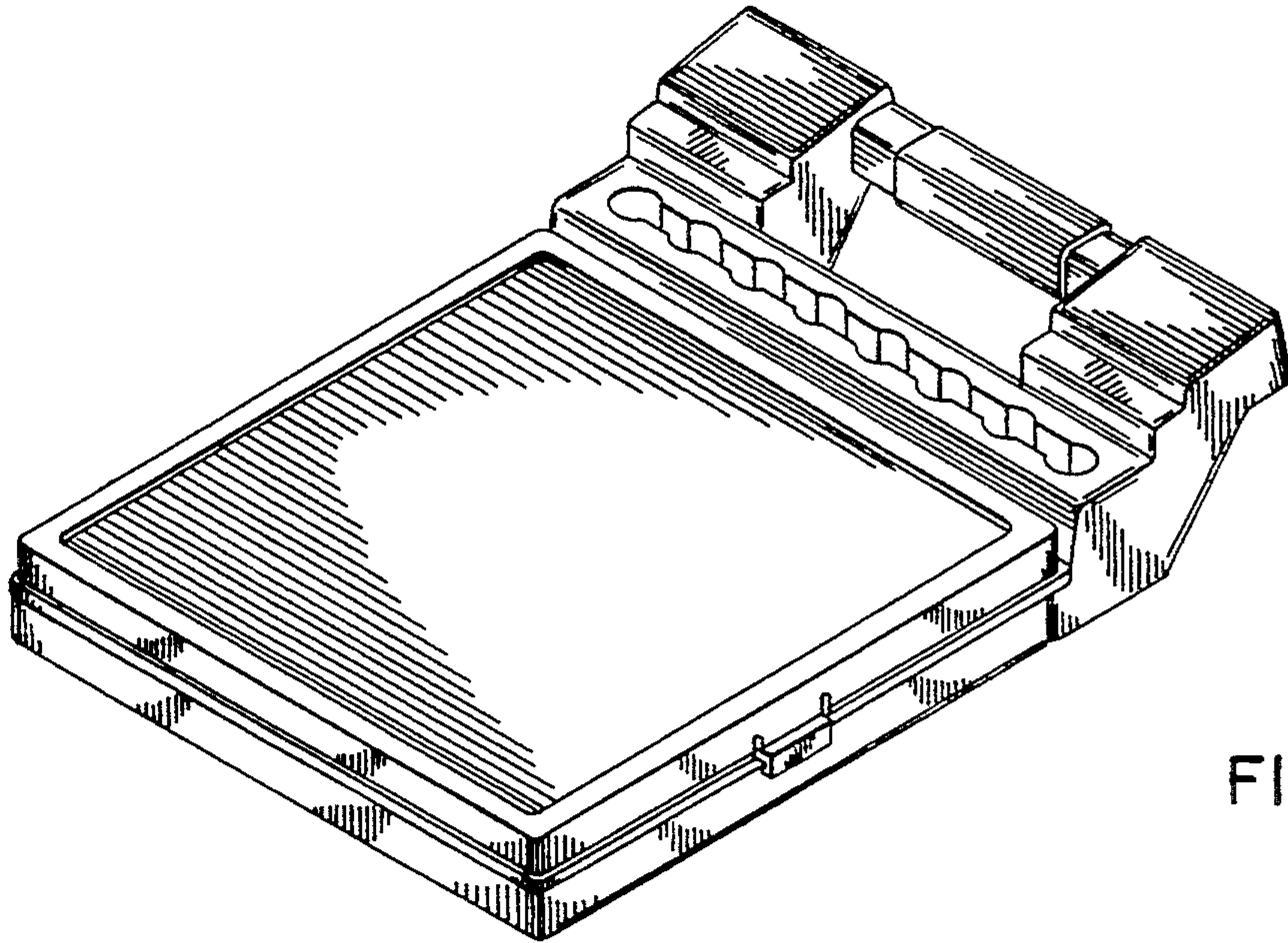


FIG. 1

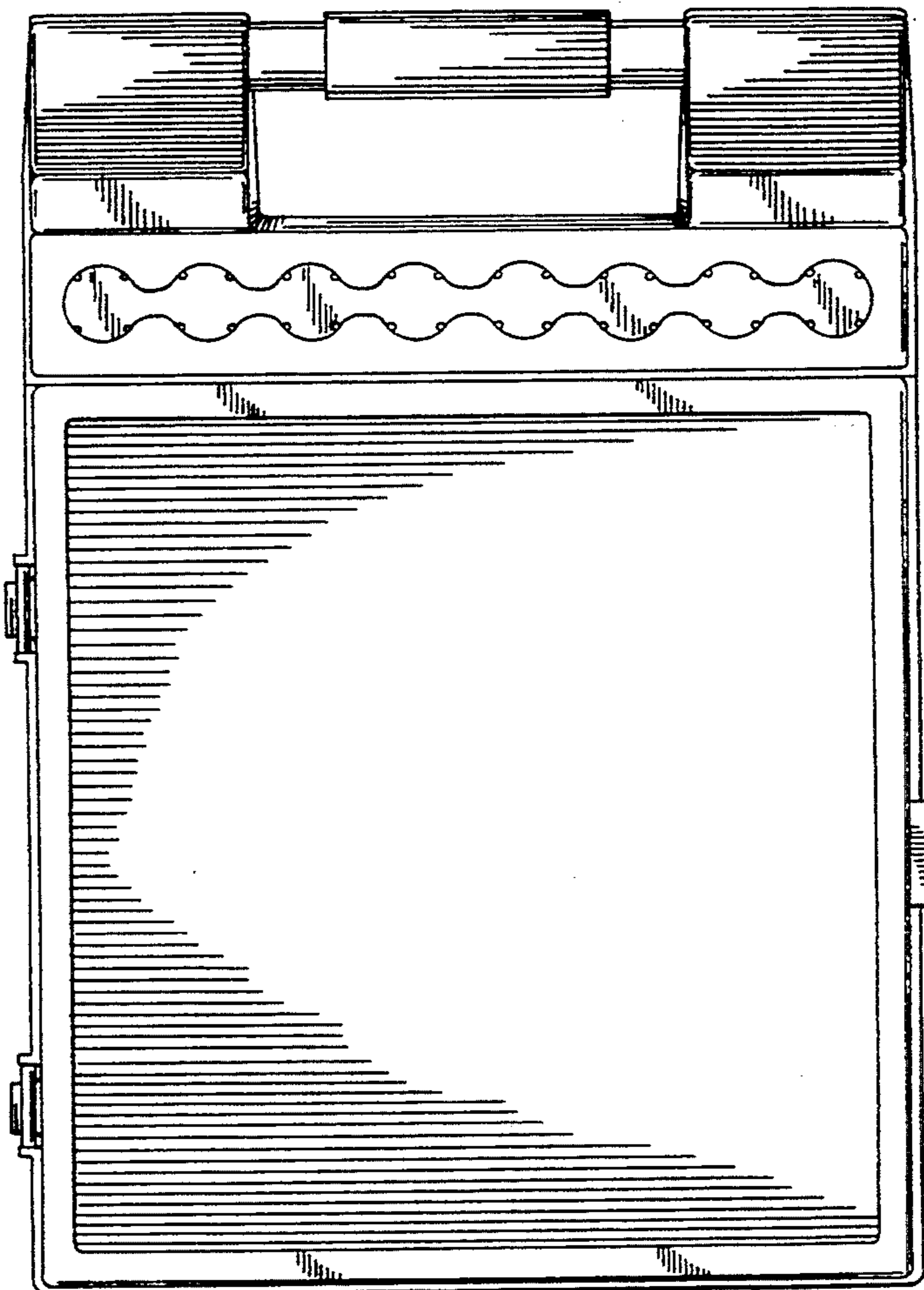


FIG. 2

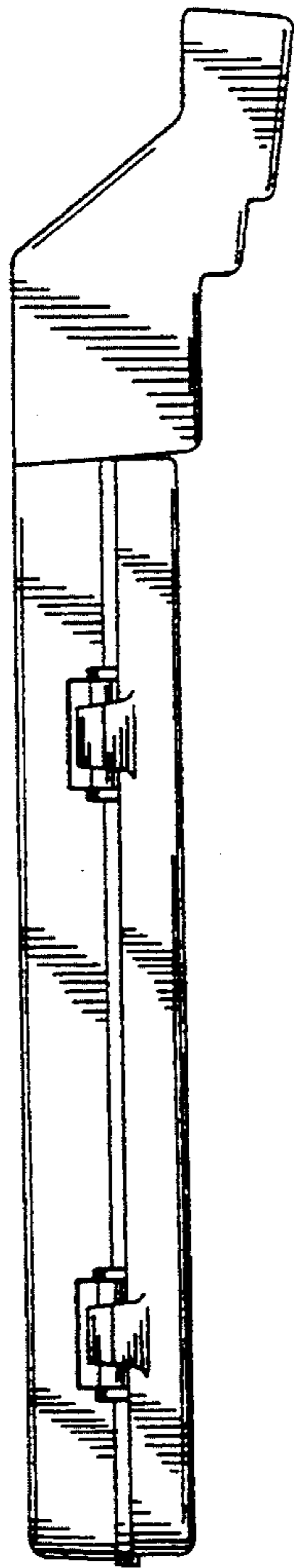


FIG. 3

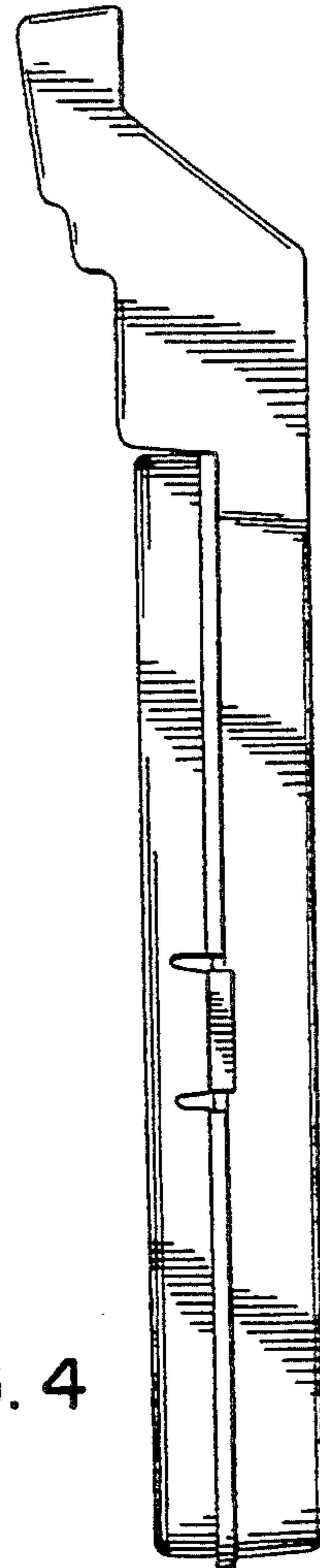


FIG. 4

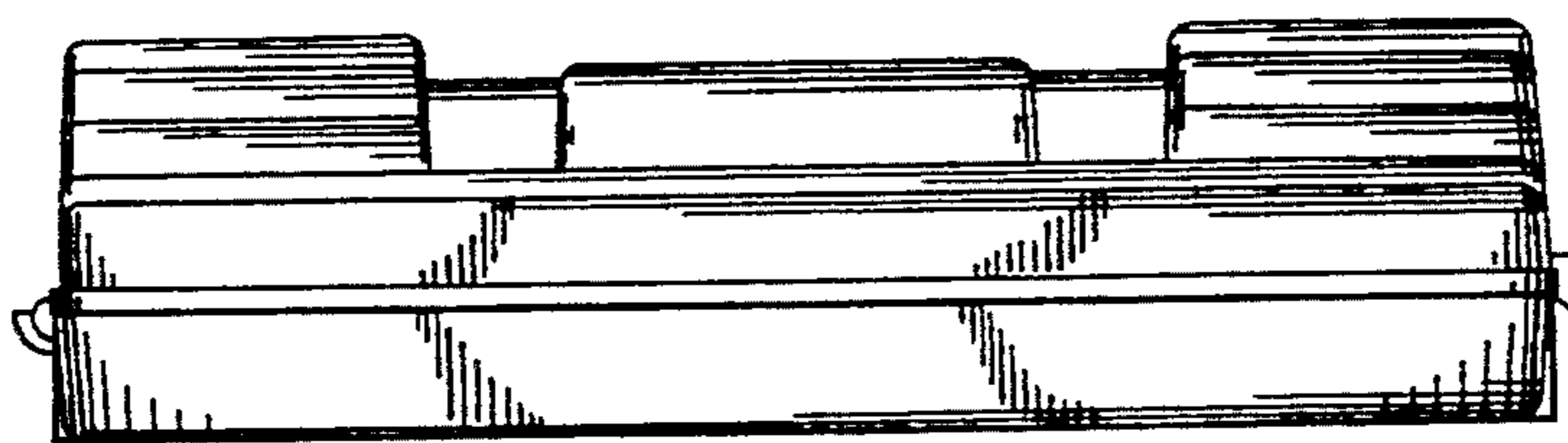


FIG. 5

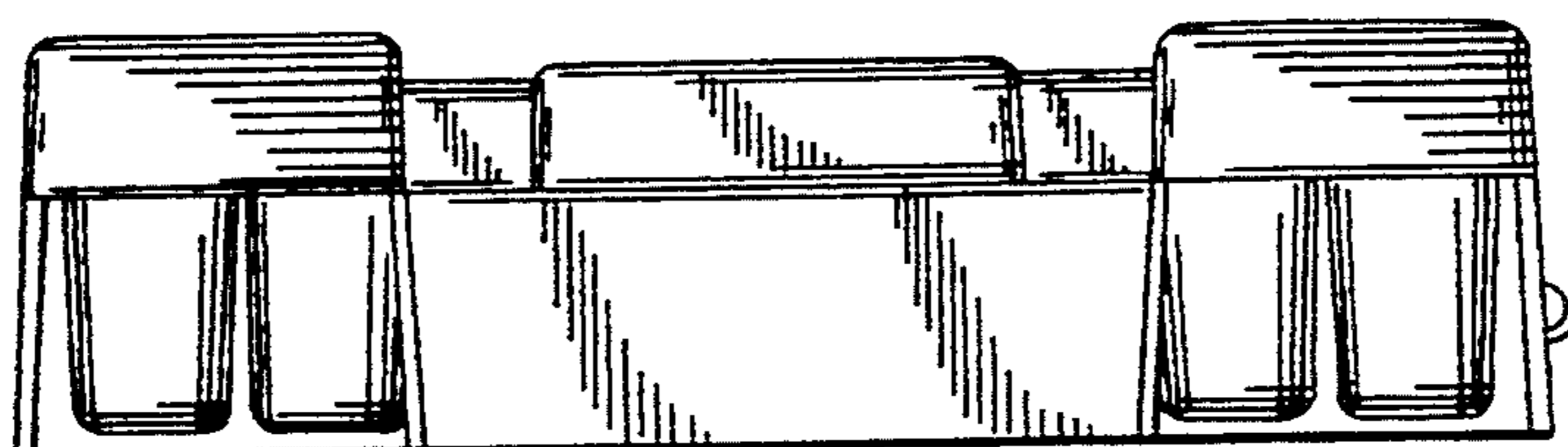


FIG. 6

FIG. 7

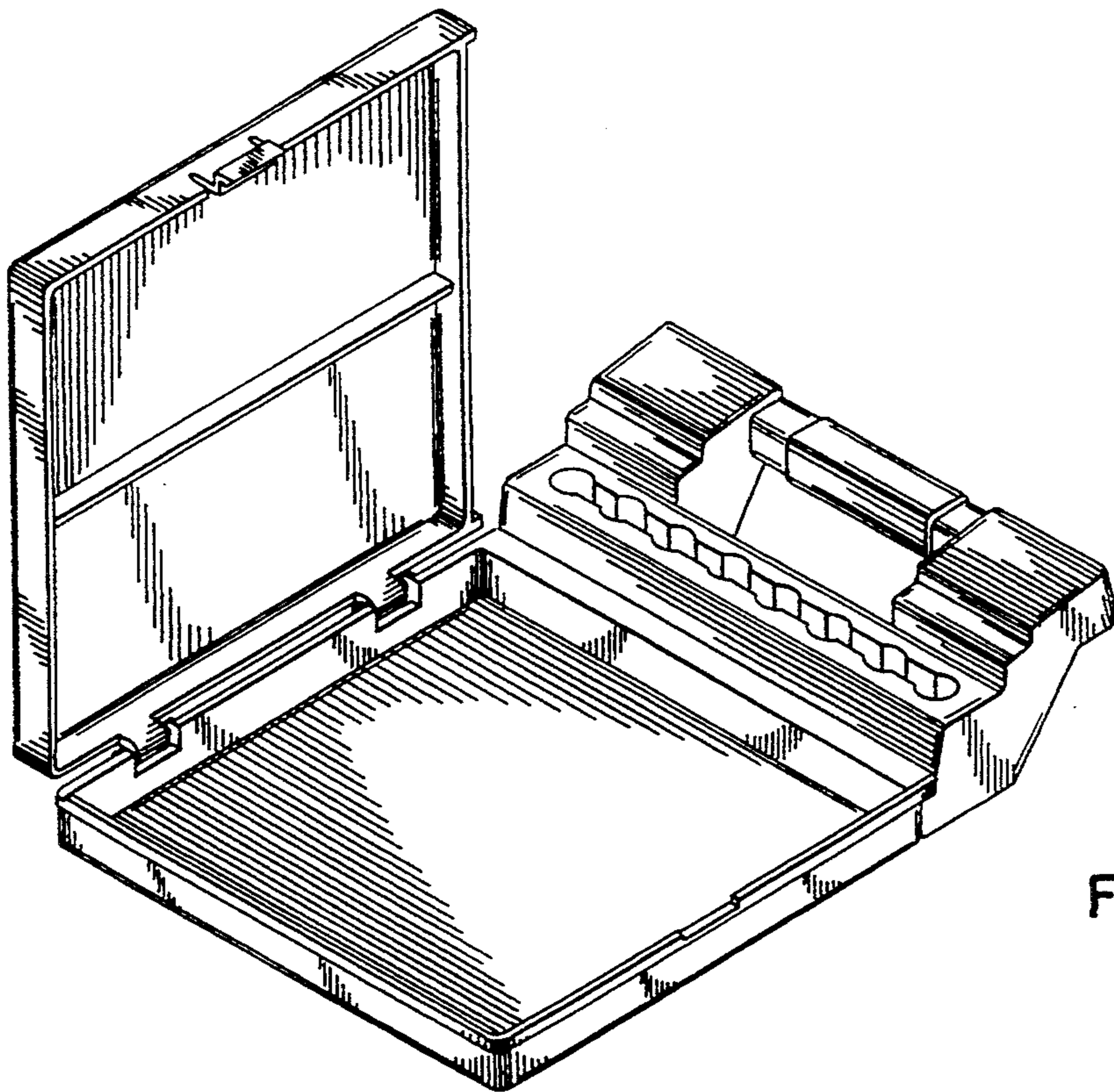
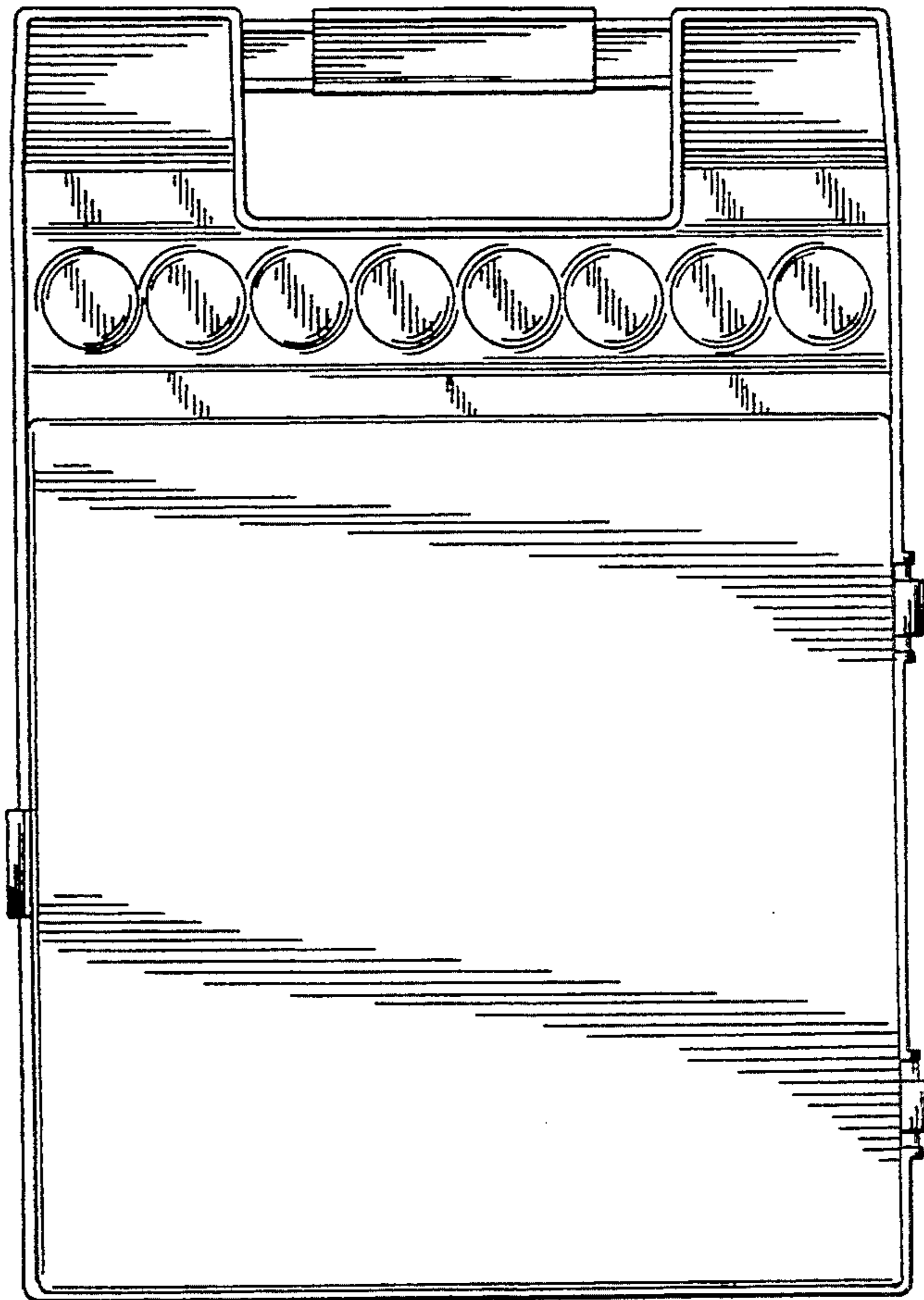


FIG. 8

UNITED STATES PATENT AND TRADEMARK OFFICE  
**CERTIFICATE OF CORRECTION**

PATENT NO. : Des. 360,649

DATED : July 25, 1995

INVENTOR(S) : Robert S. Volk, et. al.

It is certified that error appears in the above-identified patent and that said Letters Patent is hereby corrected as shown below:

Title page, item [73], Assignee: should read as following:  
--Binney & Smith Inc.--.

Signed and Sealed this  
Tenth Day of October, 1995



BRUCE LEHMAN

*Commissioner of Patents and Trademarks*

*Attest:*

*Attesting Officer*