



US00D360648S

# United States Patent [19]

[11] Patent Number: **Des. 360,648**

Coffey et al.

[45] Date of Patent: **\*\* Jul. 25, 1995**

## [54] PRINTER

[75] Inventors: **Johnnie A. Coffey**, Winchester; **Daniel L. Huber**, Lexington; **Peter J. Mendel**, Lexington; **Steven G. Minton**, Lexington; **Steven A. Silverstein**, Lexington, all of Ky.

[73] Assignee: **Lexmark International, Inc.**, Greenwich, Conn.

[\*\*] Term: **14 Years**

[21] Appl. No.: **5,851**

[22] Filed: **Mar. 11, 1993**

[52] U.S. Cl. .... **D18/55**

[58] Field of Search ..... **D18/36-37, D18/50, 54-55; 400/691-694, 613, 613.1-613.4, 690.1-690.4**

## [56] References Cited

### U.S. PATENT DOCUMENTS

D. 228,957	10/1973	Ishii	.....	D18/37
D. 319,655	9/1991	Tokuda et al.	.....	D18/54
D. 320,406	10/1991	Tokuda	.....	D18/54
D. 321,532	11/1991	Doyle et al.	.....	D18/55
D. 332,798	1/1993	Crowe et al.	.....	D18/55
D. 335,501	5/1993	Faranda	.....	D18/55
D. 340,064	10/1993	Makiura et al.	.....	D18/55
D. 340,741	10/1993	Yonezawa et al.	.....	D18/55
D. 344,285	2/1994	Yonezawa et al.	.....	D18/55

### FOREIGN PATENT DOCUMENTS

0260164	11/1987	Japan	.....	D18/ et al.
61-35358	3/1988	Japan	.....	D18/et al.

## OTHER PUBLICATIONS

Ziyad Z-200 Paper Processor brochure; p. 1.  
Tektronix Phaser™ 200 Color Printer brochure; Feb. 1993; Cover photo.  
Genicom Large Laser Printer Model 7150 brochure; Nov. 1992; Cover photo.  
Fujitsu Computer Products of America, Inc. Printer photo; ©1993.

*Primary Examiner*—Cathy Anne MacCormac  
*Attorney, Agent, or Firm*—John A. Brady

## [57] CLAIM

The ornamental design for a printer, as shown and described.

## DESCRIPTION

FIG. 1 is a top plan view of a printer showing our new design;  
FIG. 2 is a front elevational view thereof;  
FIG. 3 is a right side elevational view thereof;  
FIG. 4 is a left side elevational view thereof;  
FIG. 5 is a rear elevational view thereof;  
FIG. 6 is a bottom plan view thereof; and  
FIG. 7 is a top, front, left side perspective view of the first embodiment;  
FIG. 8 is a top, front, left side perspective view of the second embodiment of FIG. 1, the difference being in the addition of the bottom paper tray;  
FIG. 9 is a top plain view thereof;  
FIG. 10 is a front elevational view thereof;  
FIG. 11 is a right side elevational view thereof;  
FIG. 12 is a left side elevational view thereof;  
FIG. 13 is a rear elevational view thereof; and,  
FIG. 14 is a bottom plan view thereof.

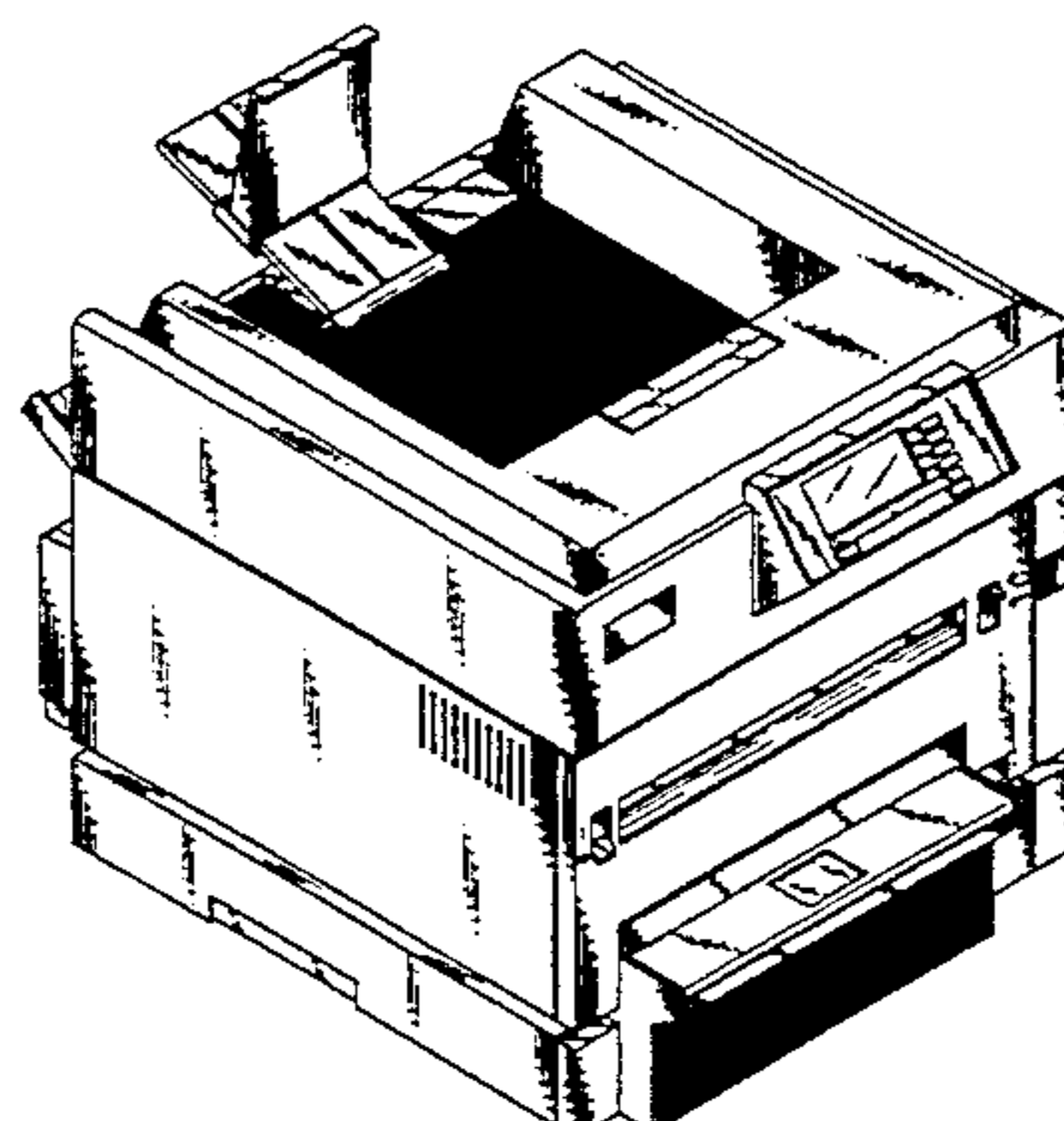
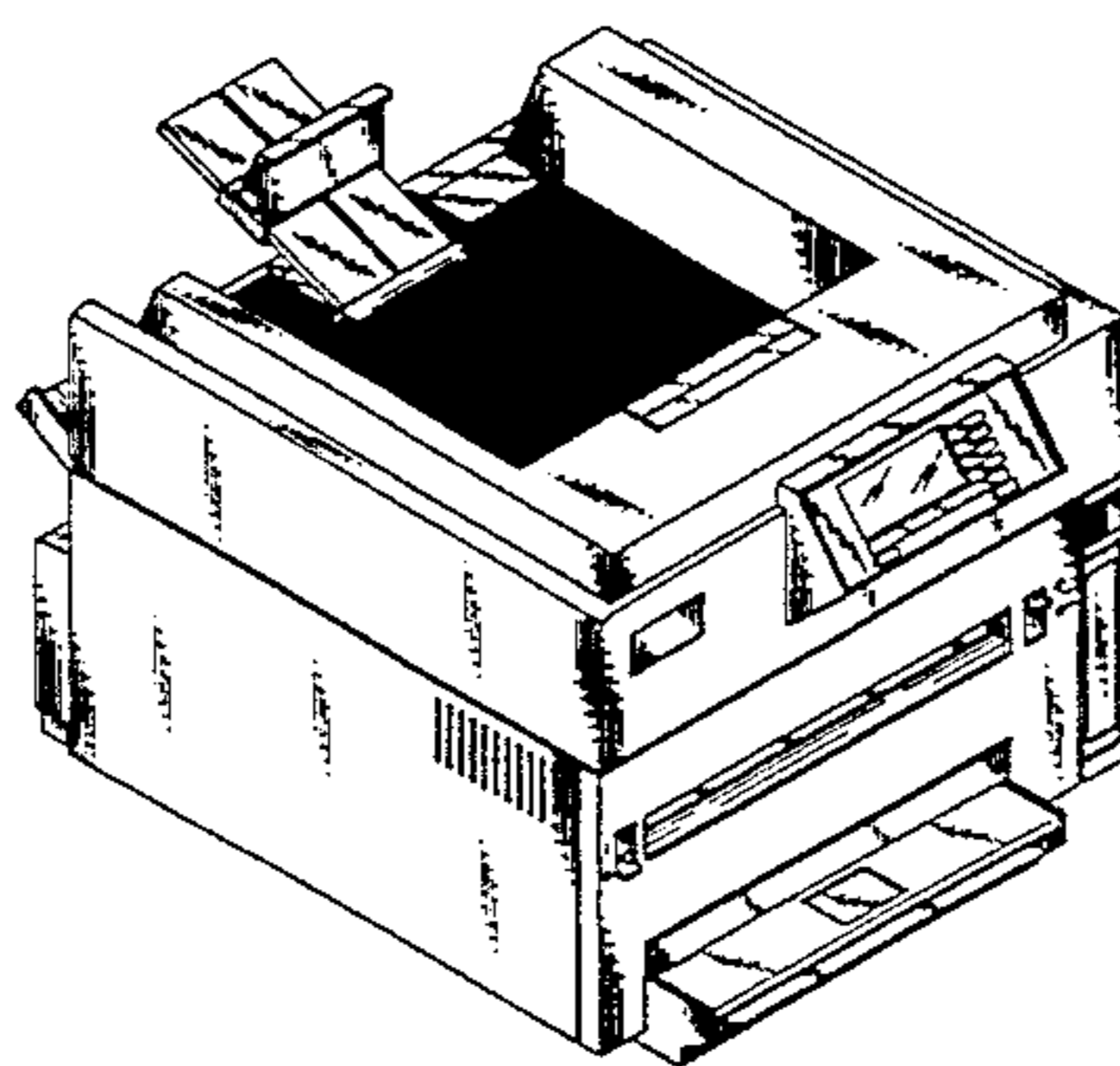
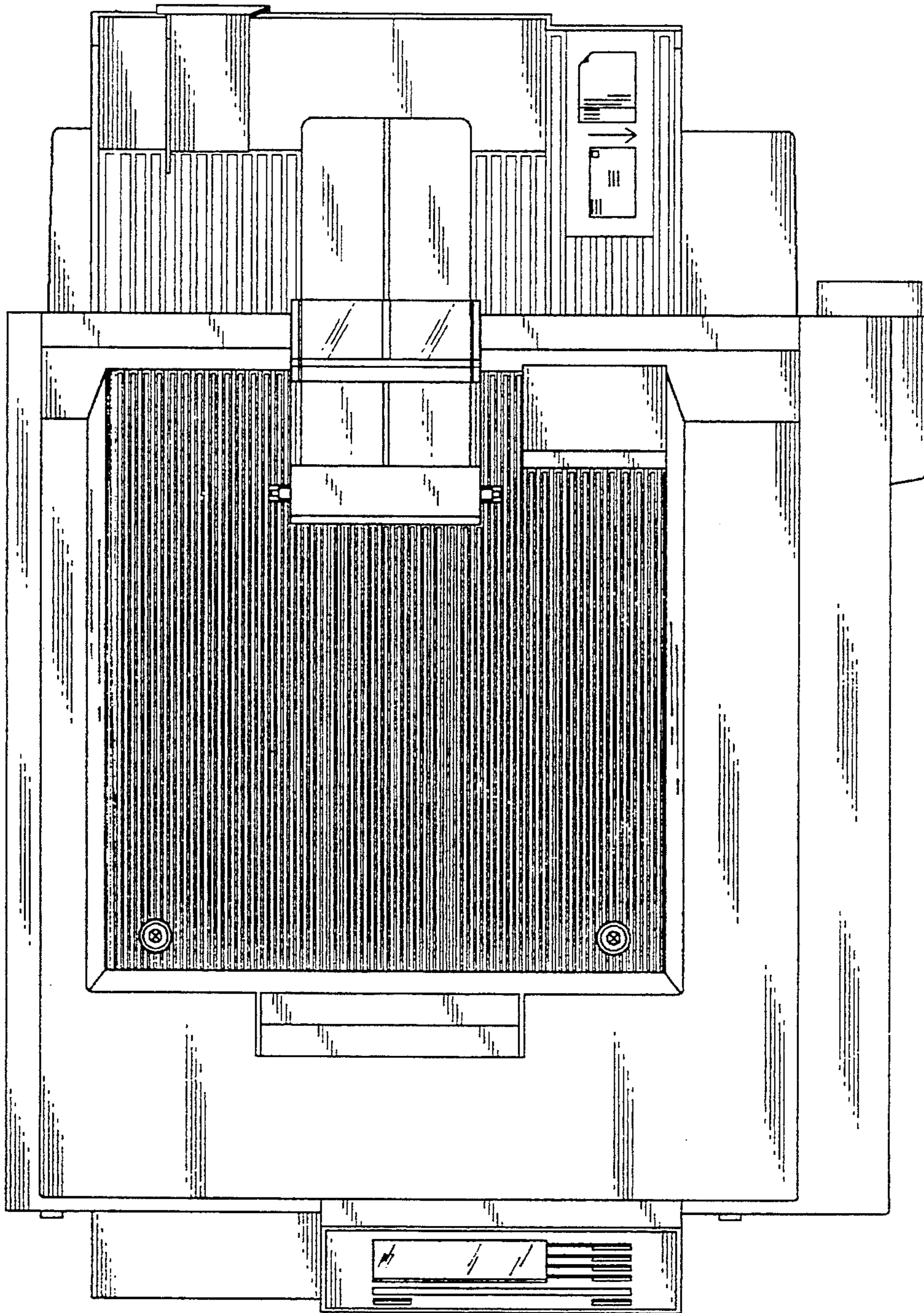


FIG. 1



*FIG. 2*

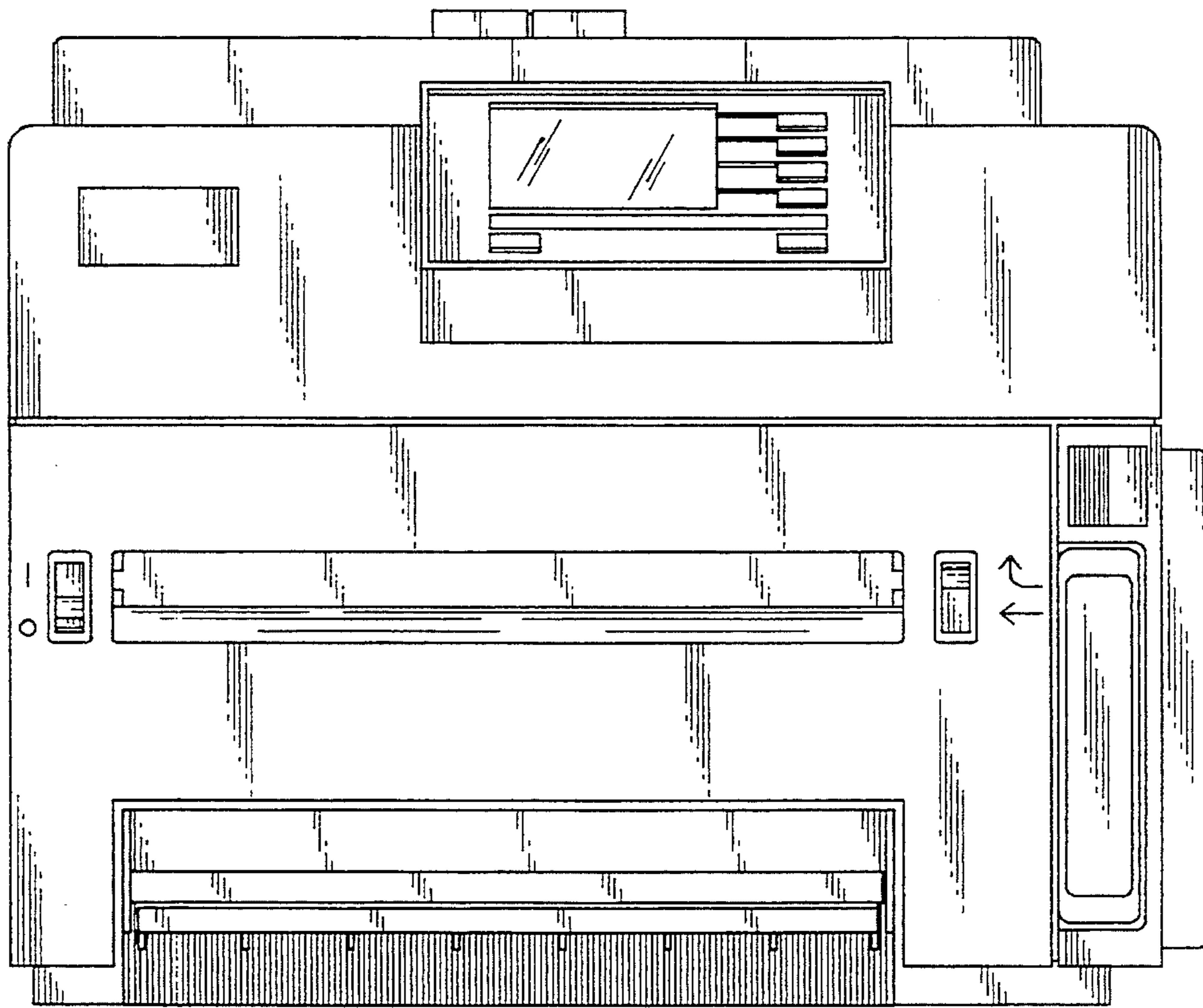


FIG. 3

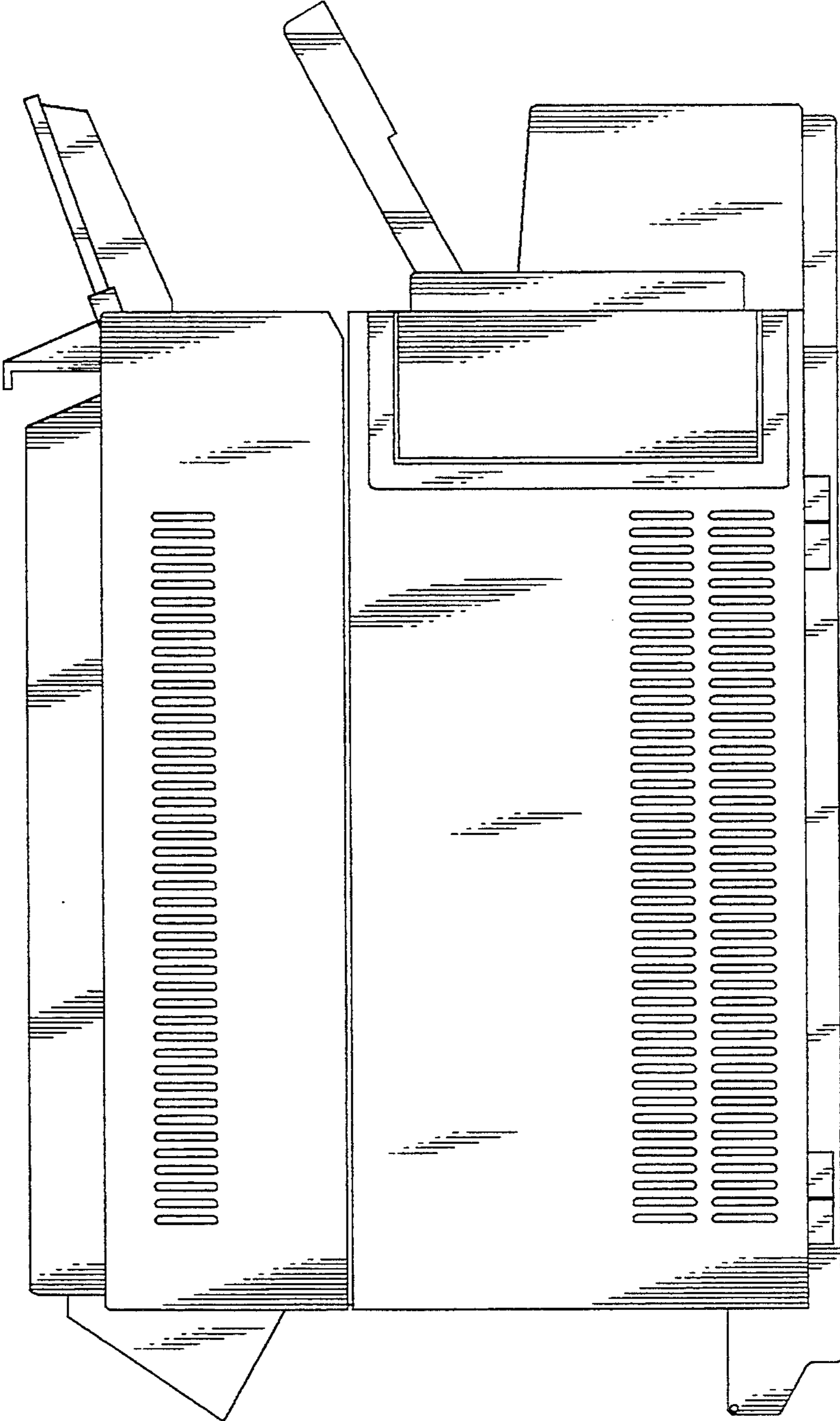
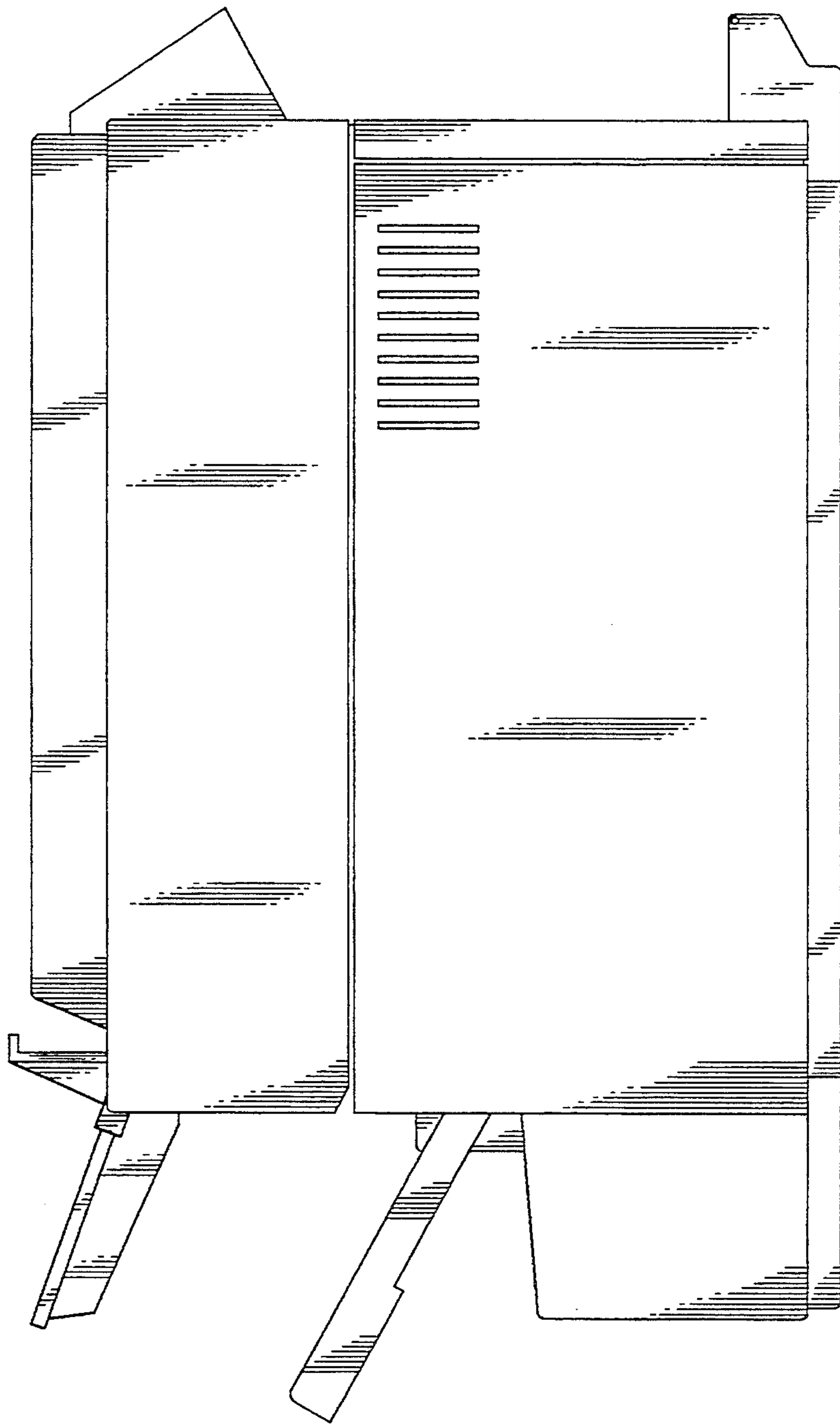


FIG. 4



*FIG. 5*

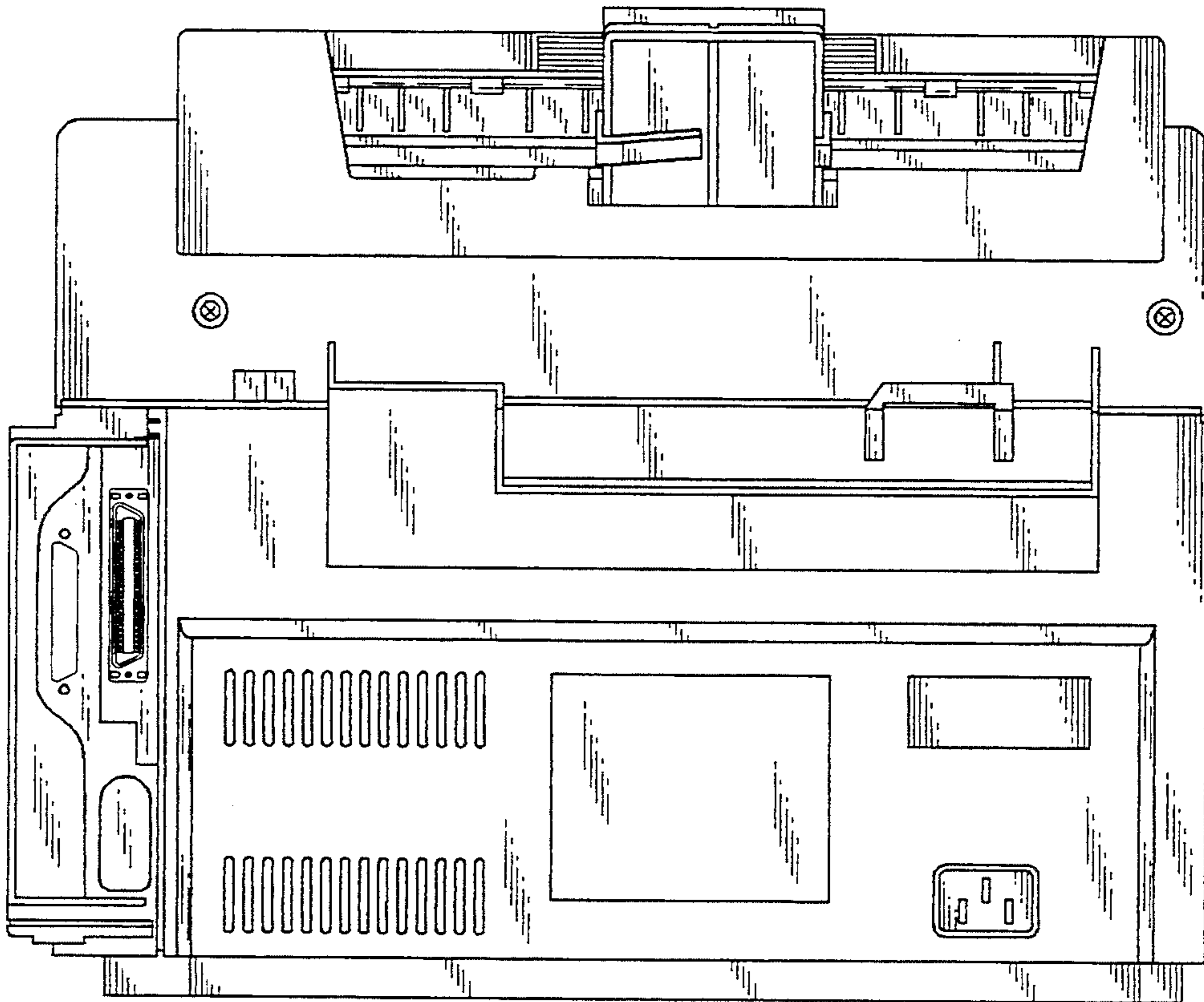


FIG. 6

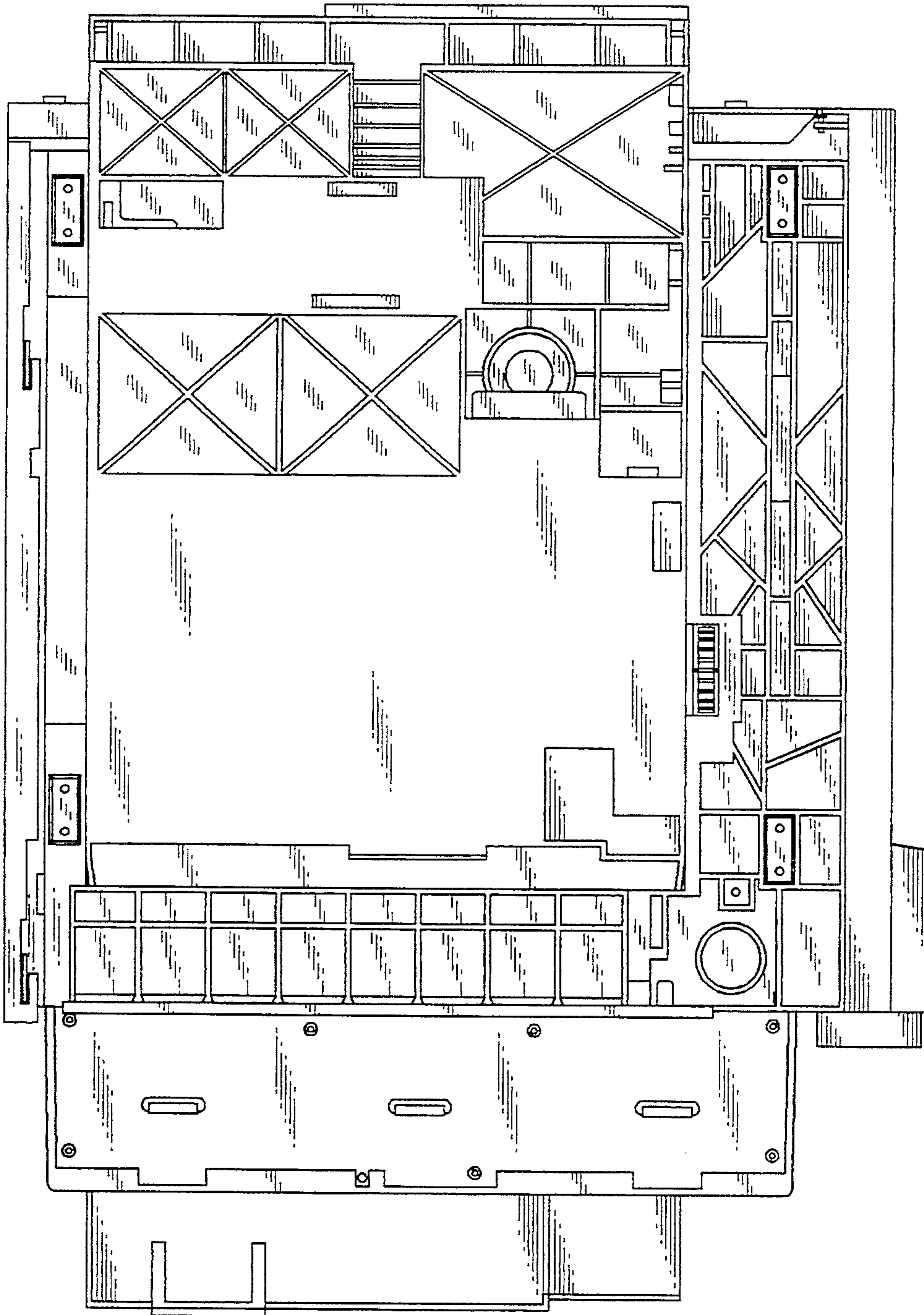
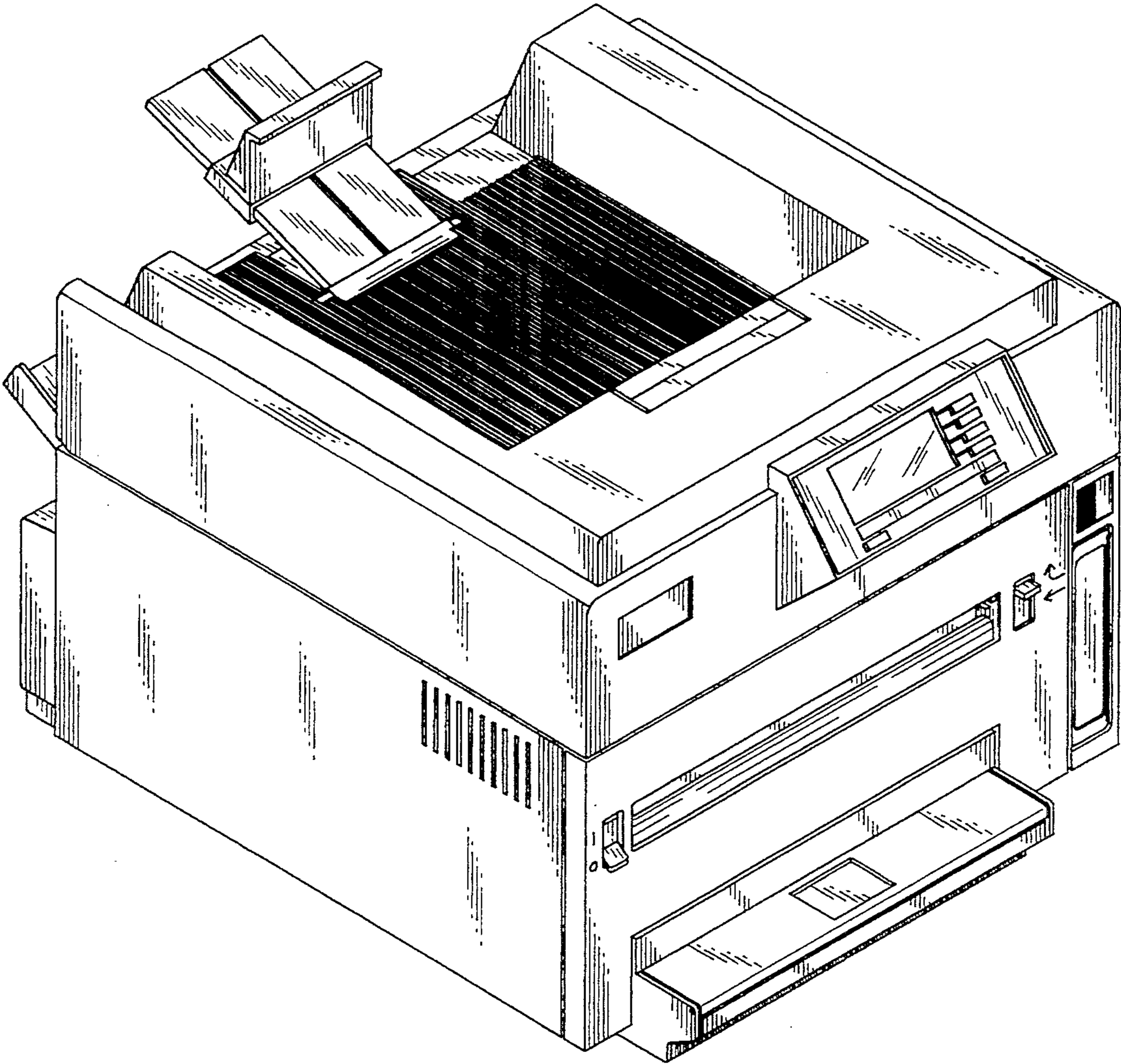
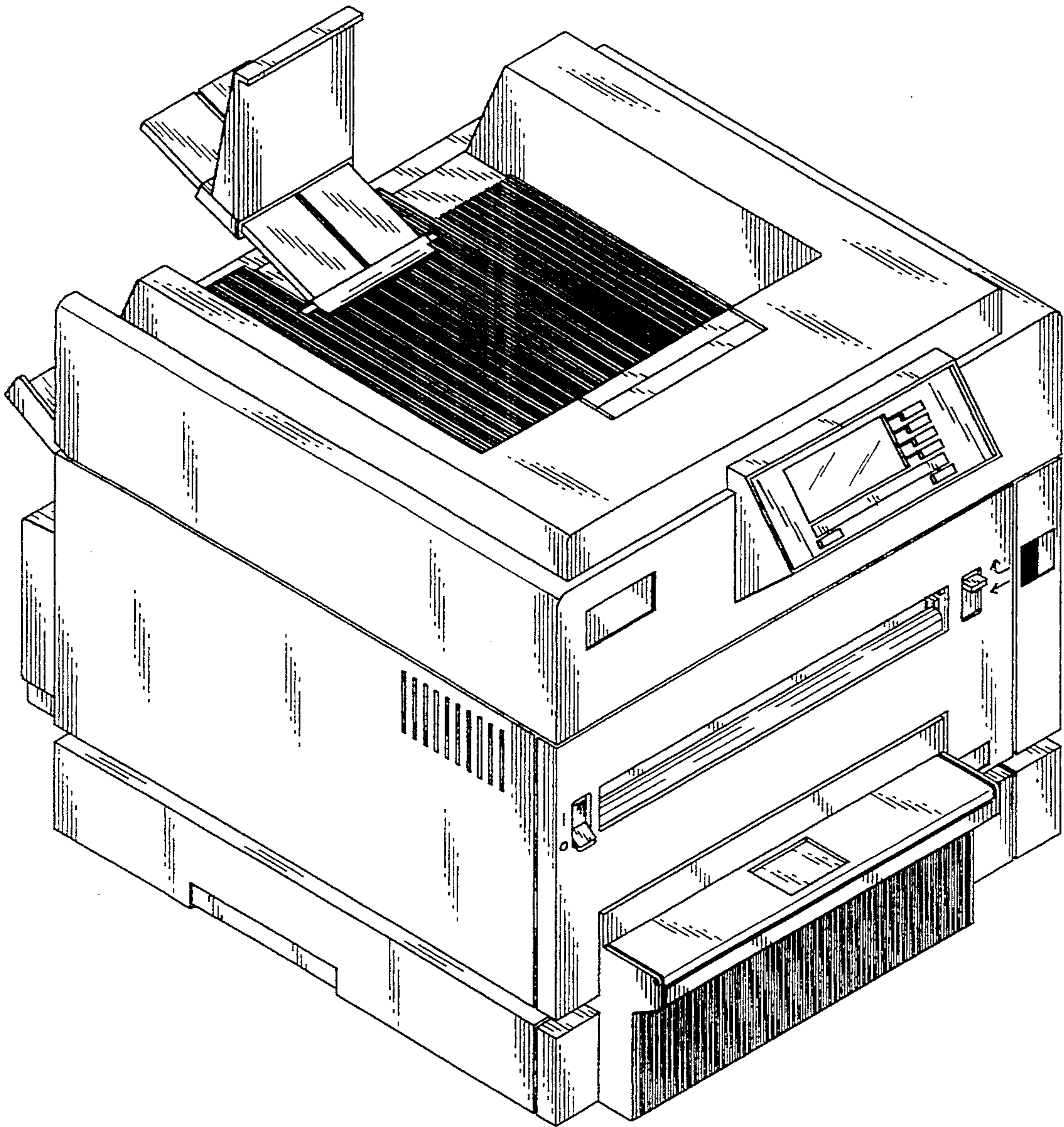


FIG. 7

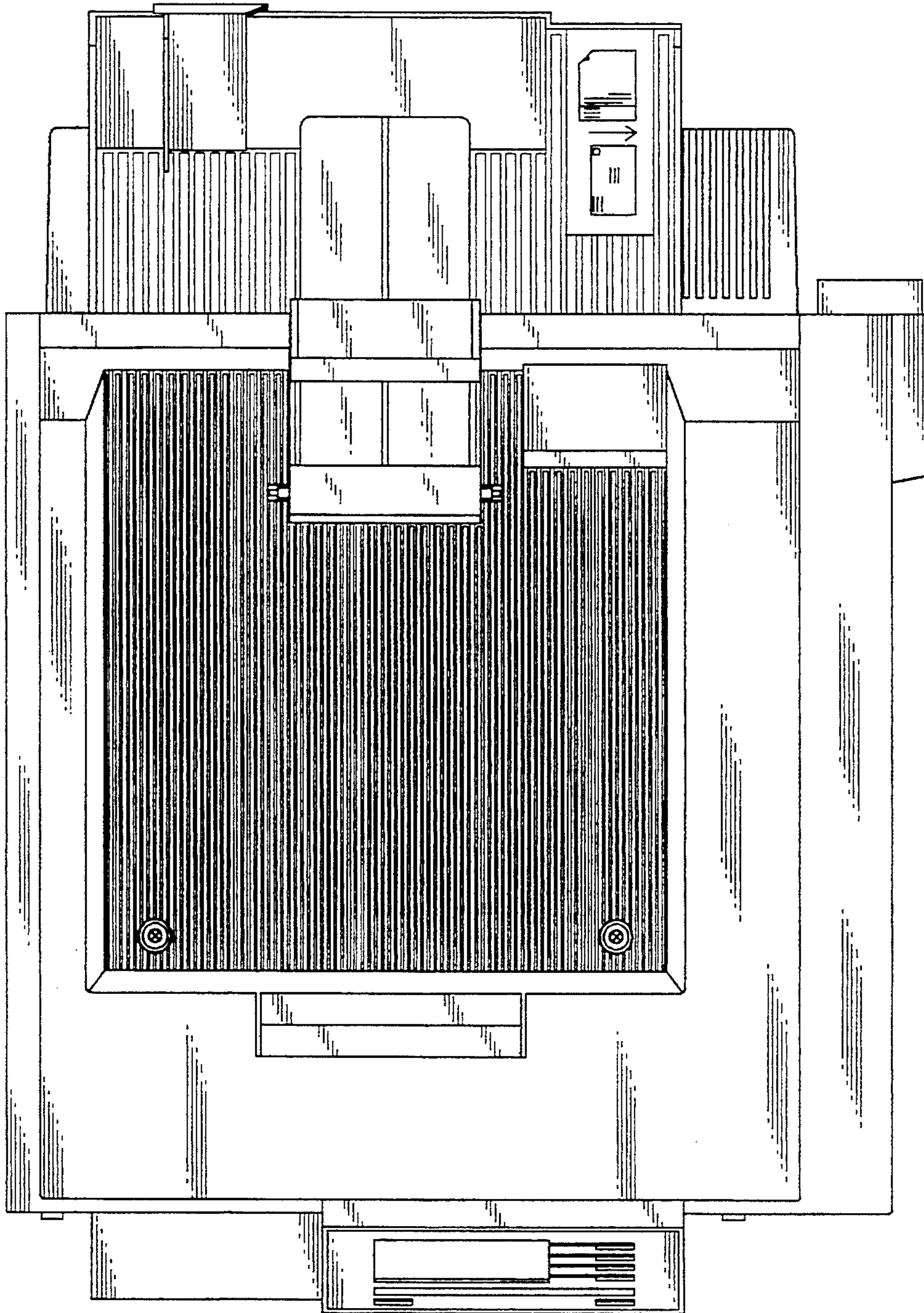




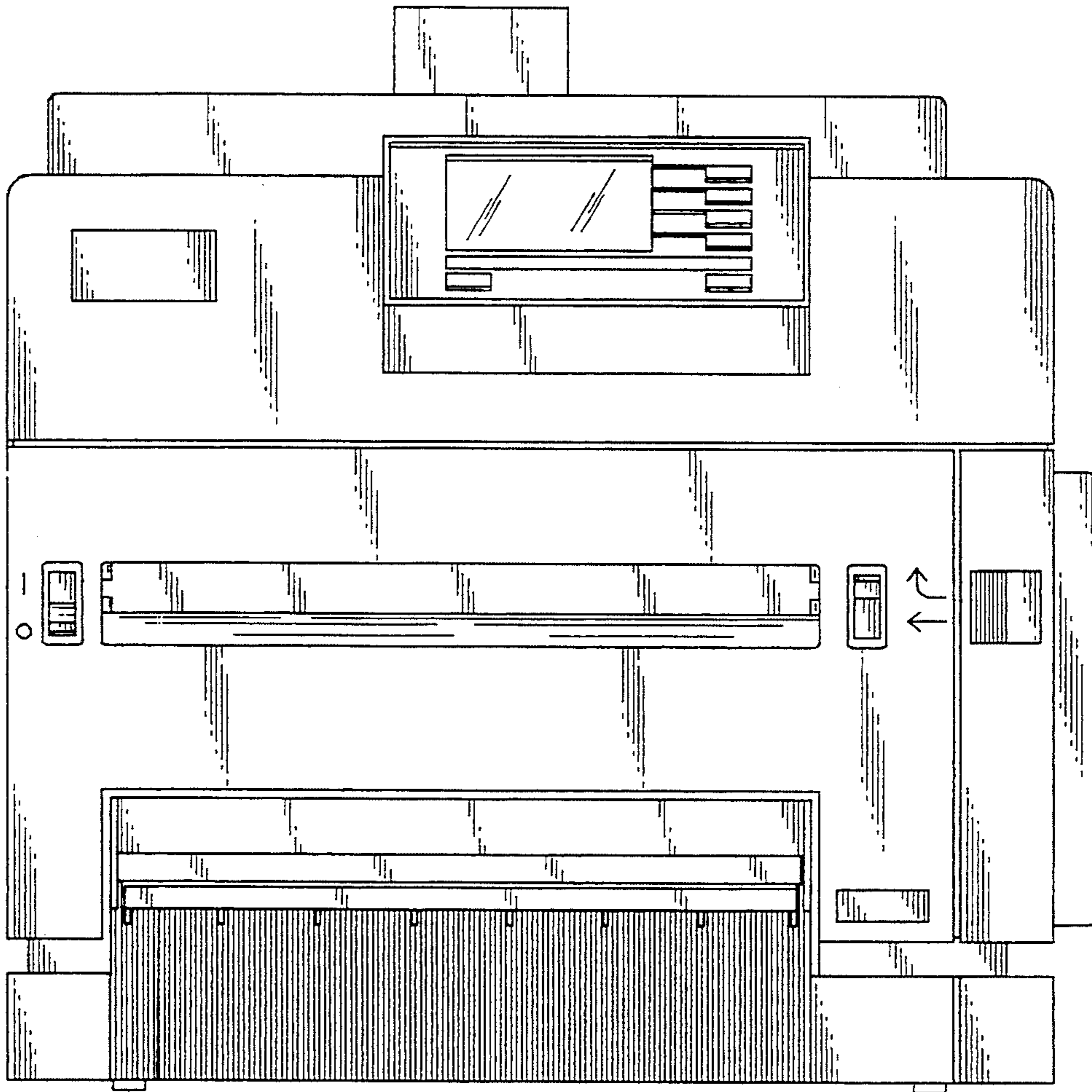
*FIG. 8*



*FIG. 9*



*FIG. 10*



*FIG. 11*

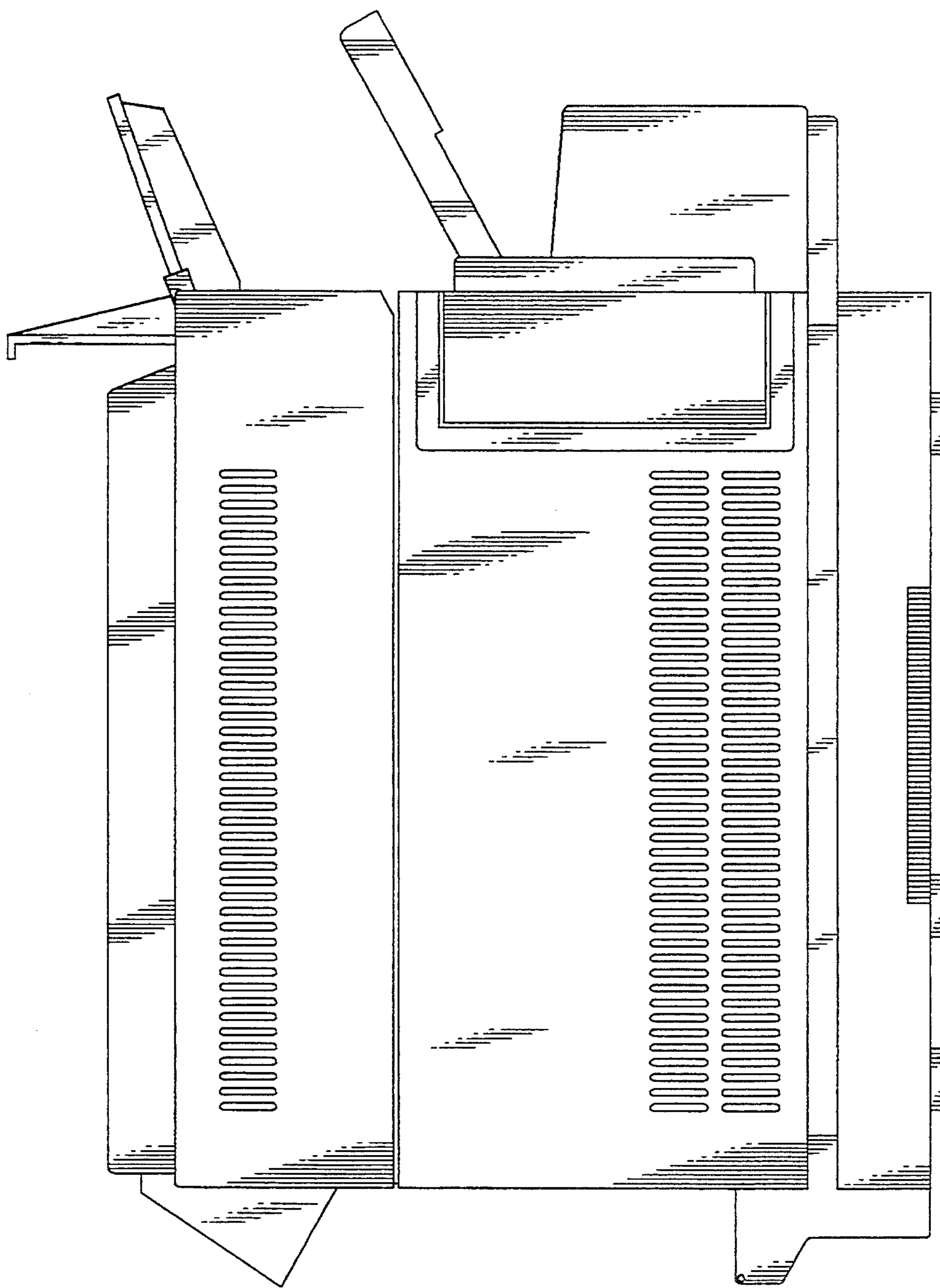


FIG. 12

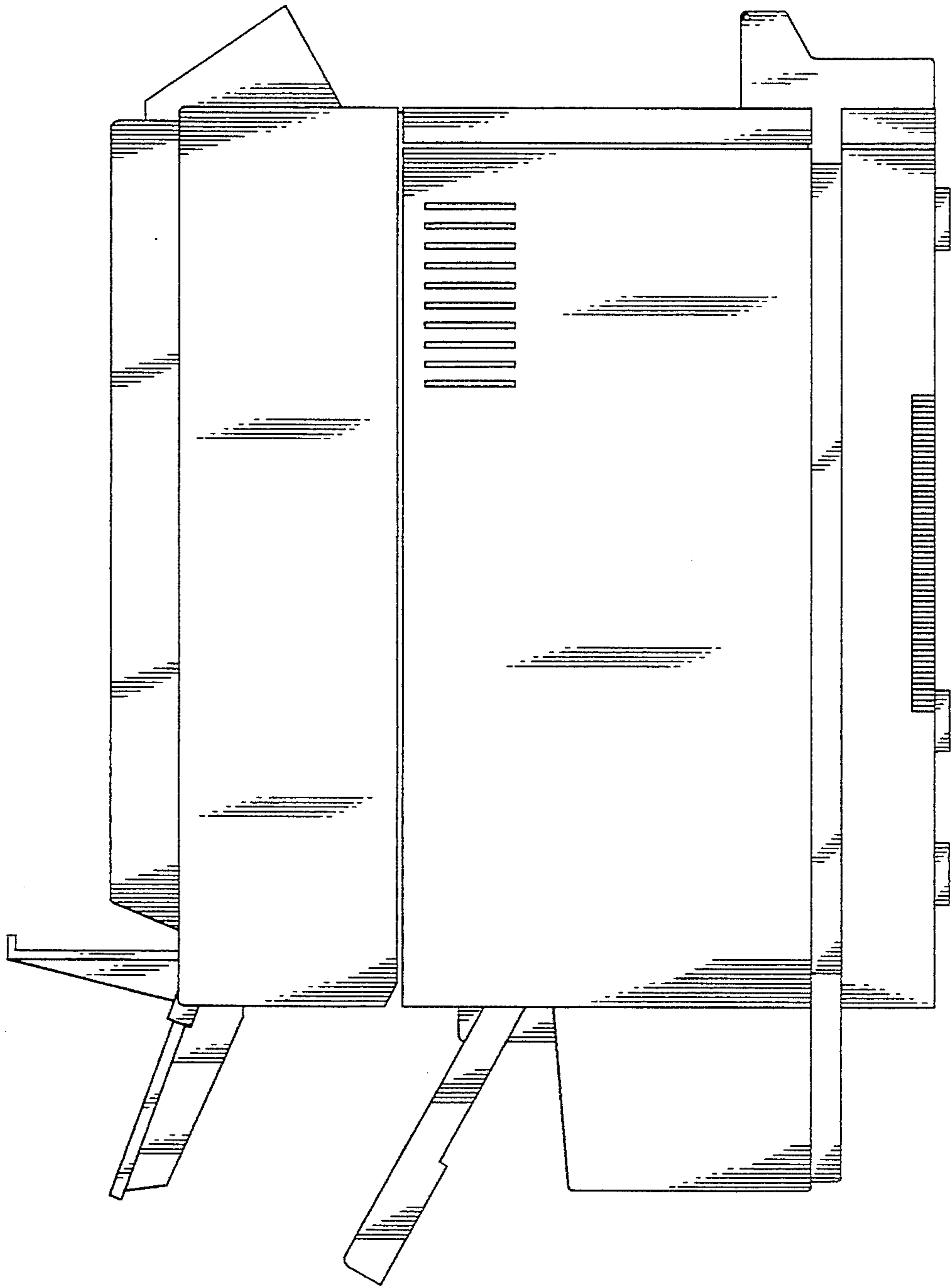


FIG. 13

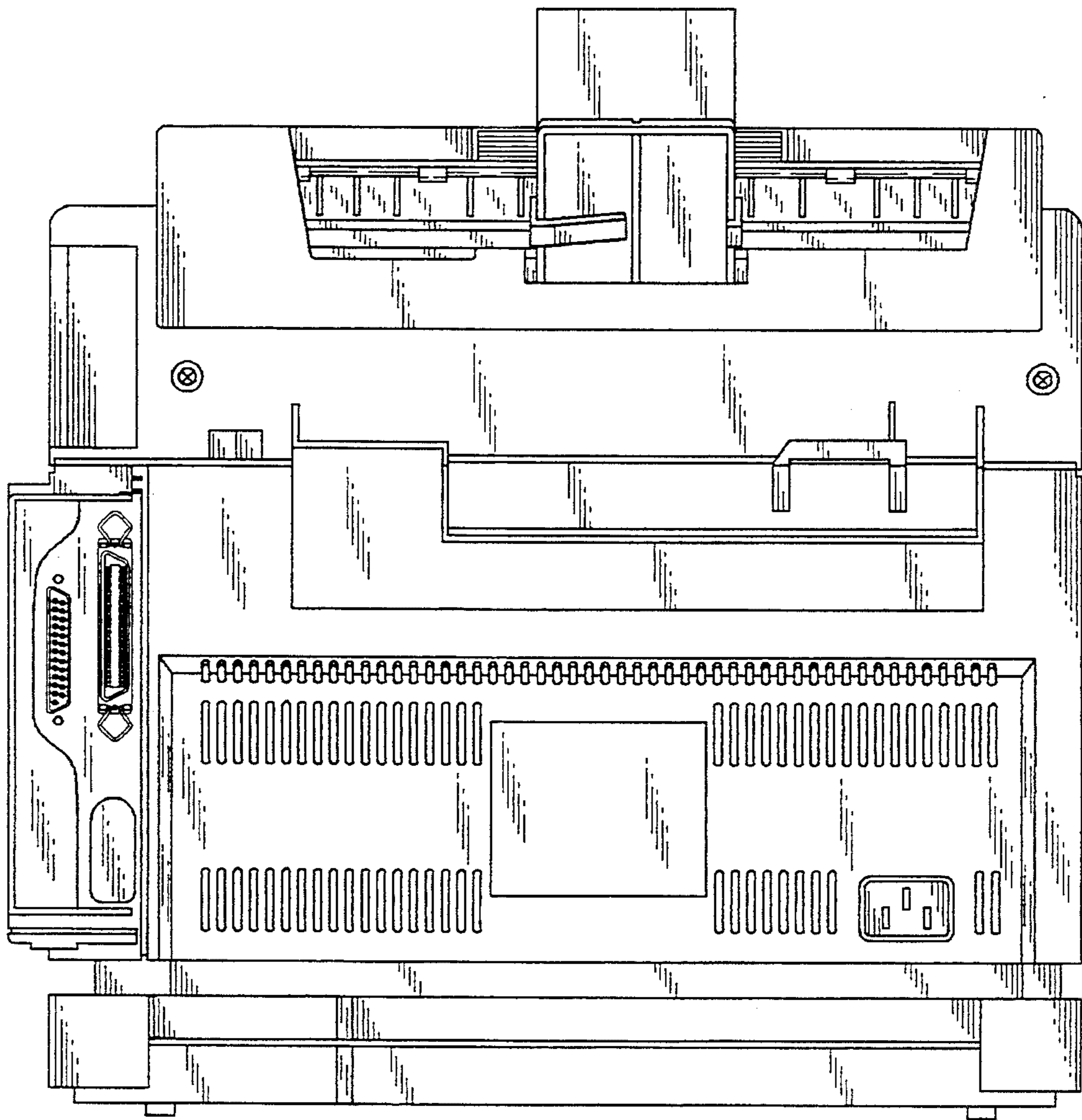


FIG. 14

