



US00D360647S

United States Patent [19] Jimenez

[11] Patent Number: Des. 360,647

[45] Date of Patent: ** Jul. 25, 1995

[54] SLIDE GUIDE FOR GUITAR

[76] Inventor: Raul M. Jimenez, 3354 E. Imperial Hwy., Lynwood, Calif. 90262

[**] Term: 14 Years

[21] Appl. No.: 27,394

[22] Filed: Aug. 22, 1994

[52] U.S. Cl. D17/20; 84/319; 84/329

[58] Field of Search D17/20, 99; 84/315-319, 328, 329

[56] **References Cited**

U.S. PATENT DOCUMENTS

2,184,733	2/1939	Burgien	84/319
3,457,822	11/1965	Mull	84/319
3,638,525	2/1972	Sciurba et al.	84/319
3,854,368	12/1974	Pogan	84/319
4,817,488	4/1989	De Los Santos	84/319

Primary Examiner—Prabhakar G. Deshmukh
Assistant Examiner—Adir Aronovich
Attorney, Agent, or Firm—Gene W. Arant

[57] **CLAIM**

The ornamental design for a slide guide for guitar, as shown and described.

DESCRIPTION

FIG. 1 is a top isometric view of a slide guide for guitar, the broken lines representing the human fingers are shown for illustrative purposes only and form no part of the claim design;

FIG. 2 is a front end view of the guide;

FIG. 3 is a right side view;

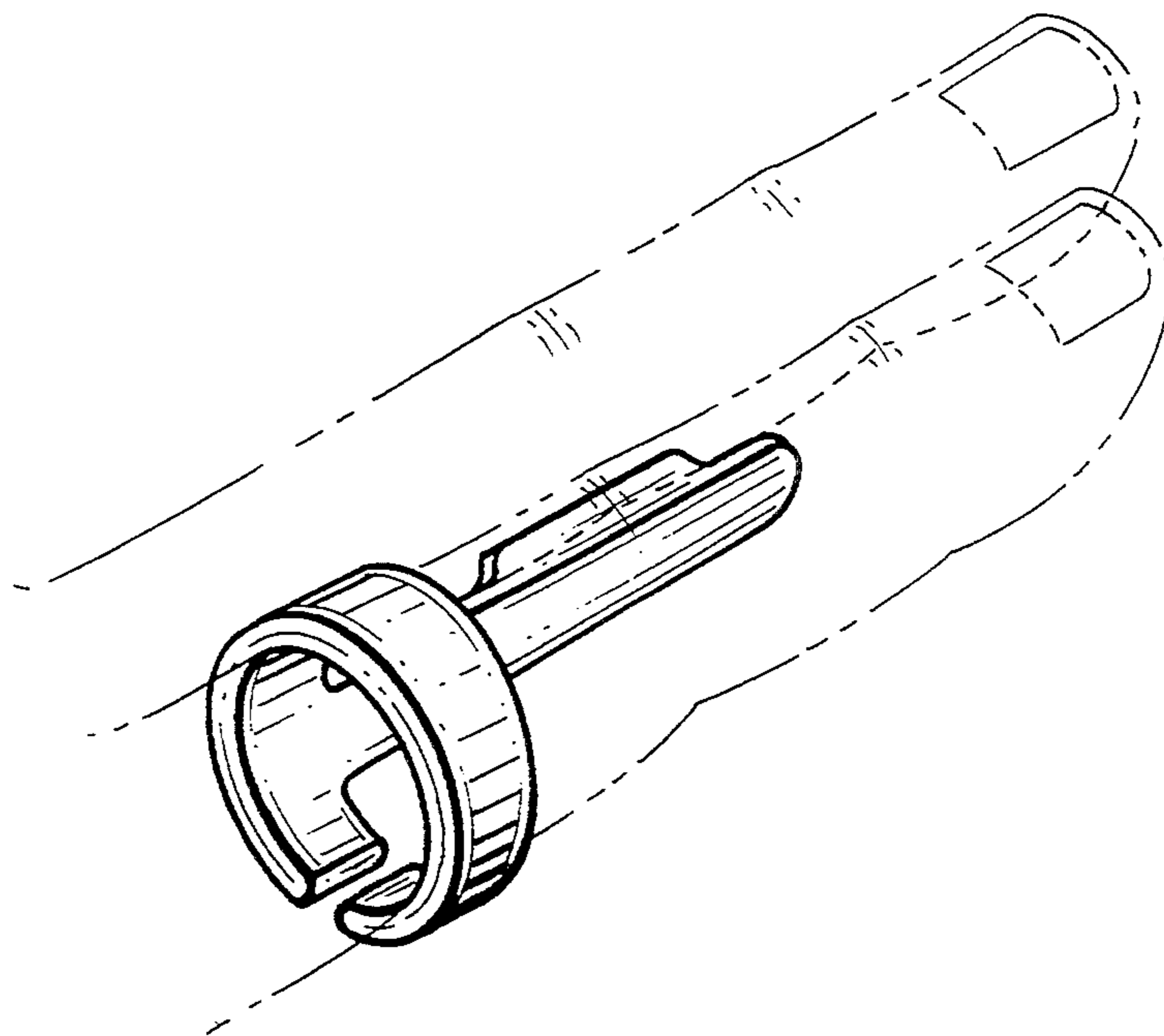
FIG. 4 is a rear end view;

FIG. 5 is a left side view;

FIG. 6 is a top view;

FIG. 7 is a bottom view; and,

FIG. 8 is an isometric view of a modified embodiment of the slide guide illustrated in FIG. 1.



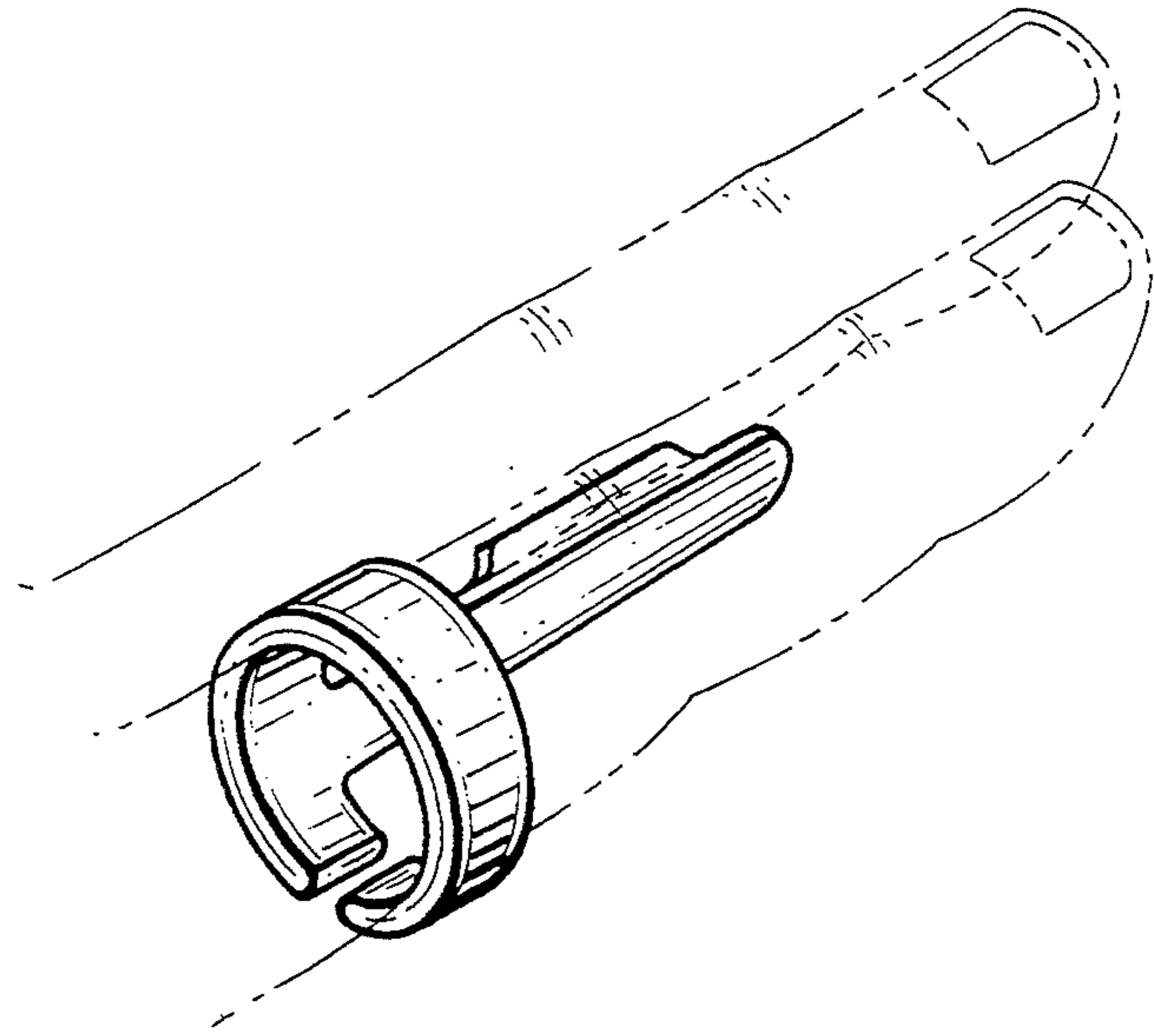


Fig. 1.

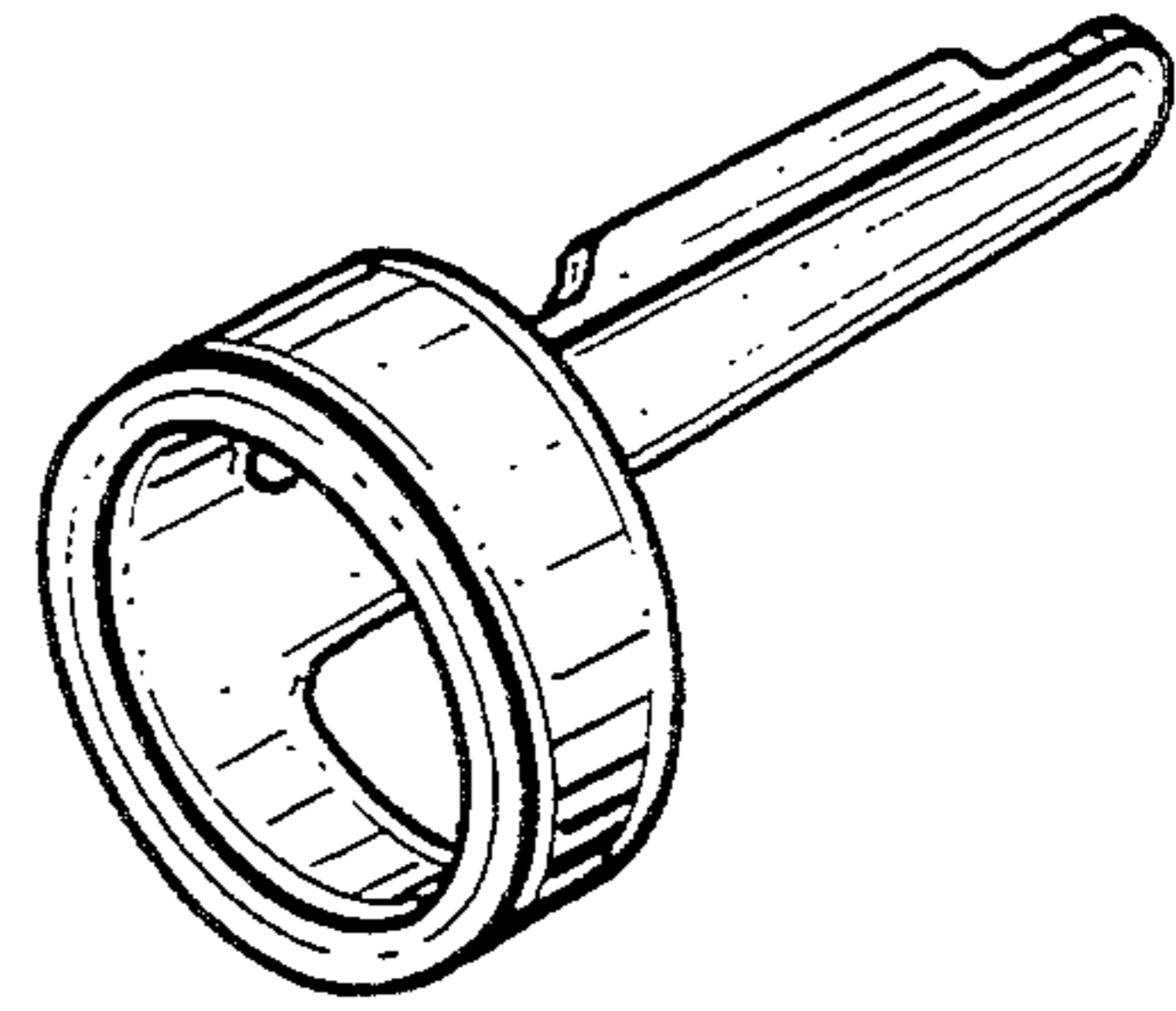


Fig. 8.

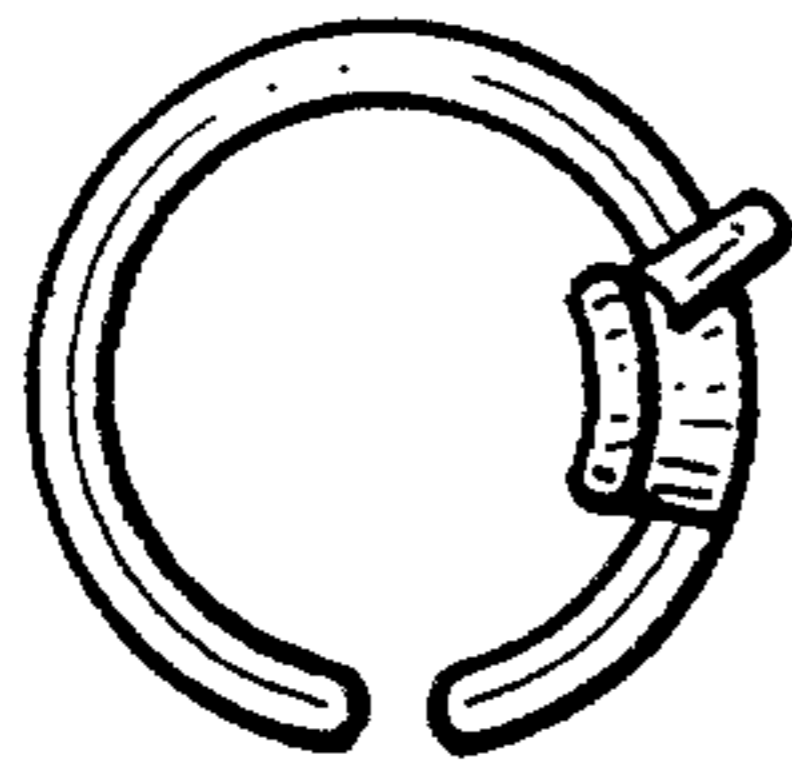


Fig. 2.

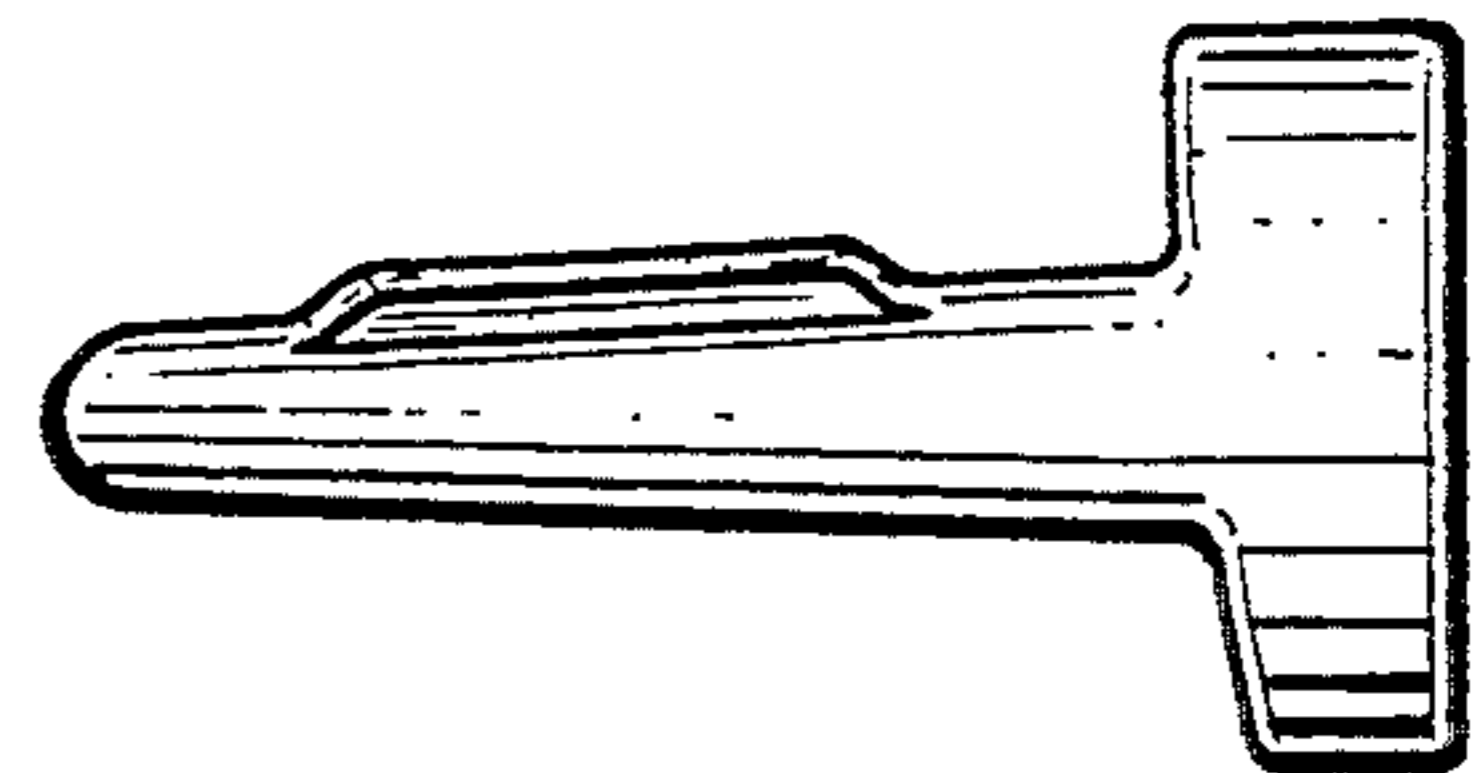


Fig. 3.

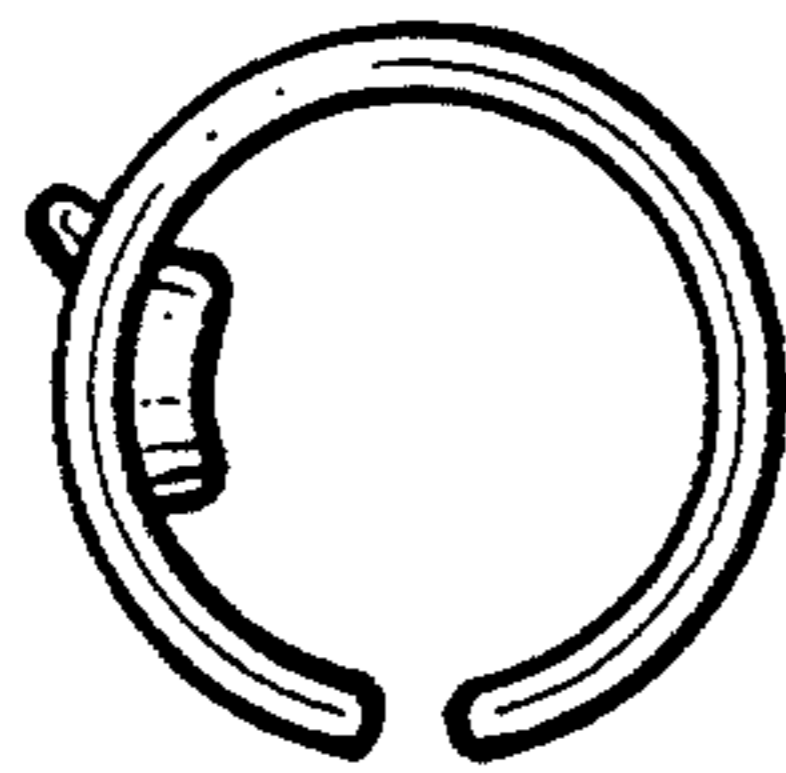


Fig. 4.

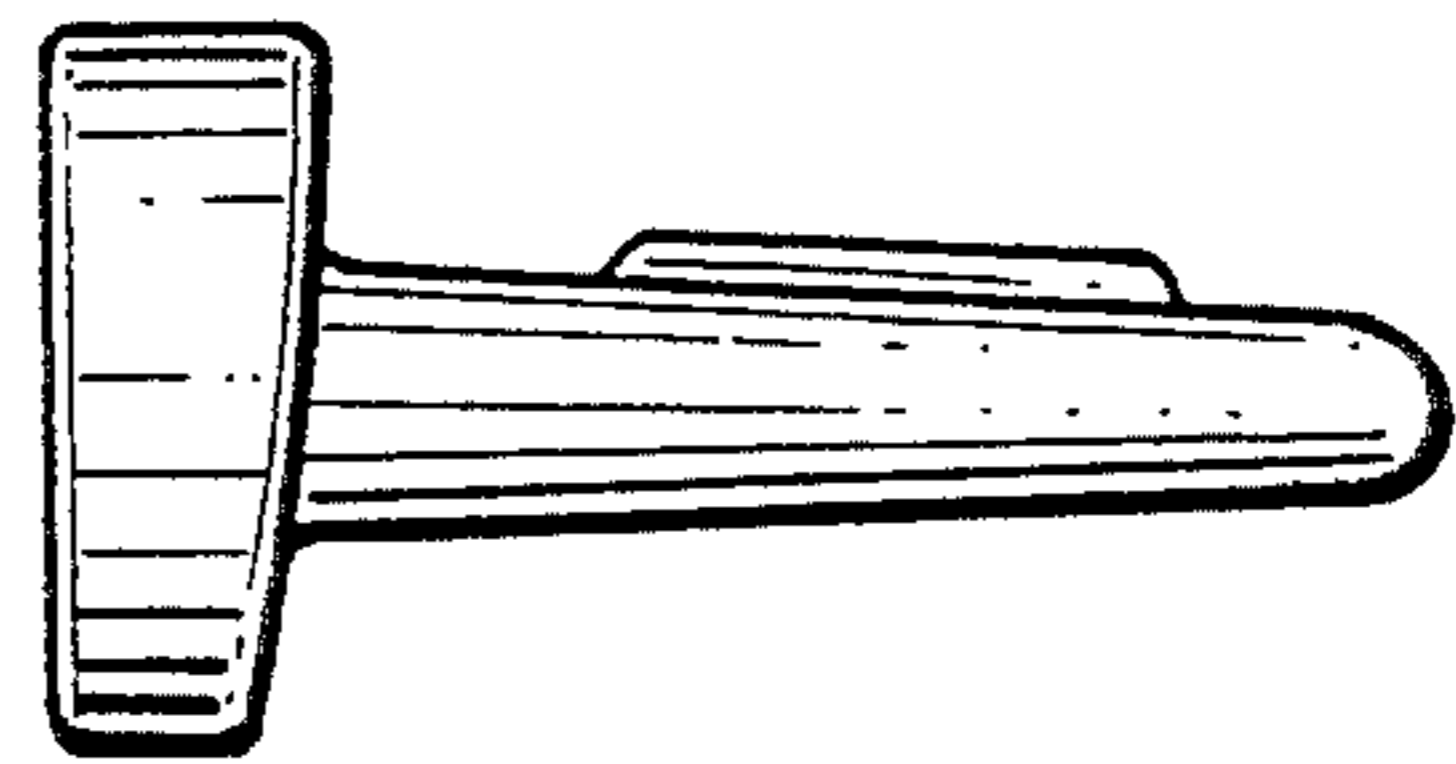


Fig. 5.

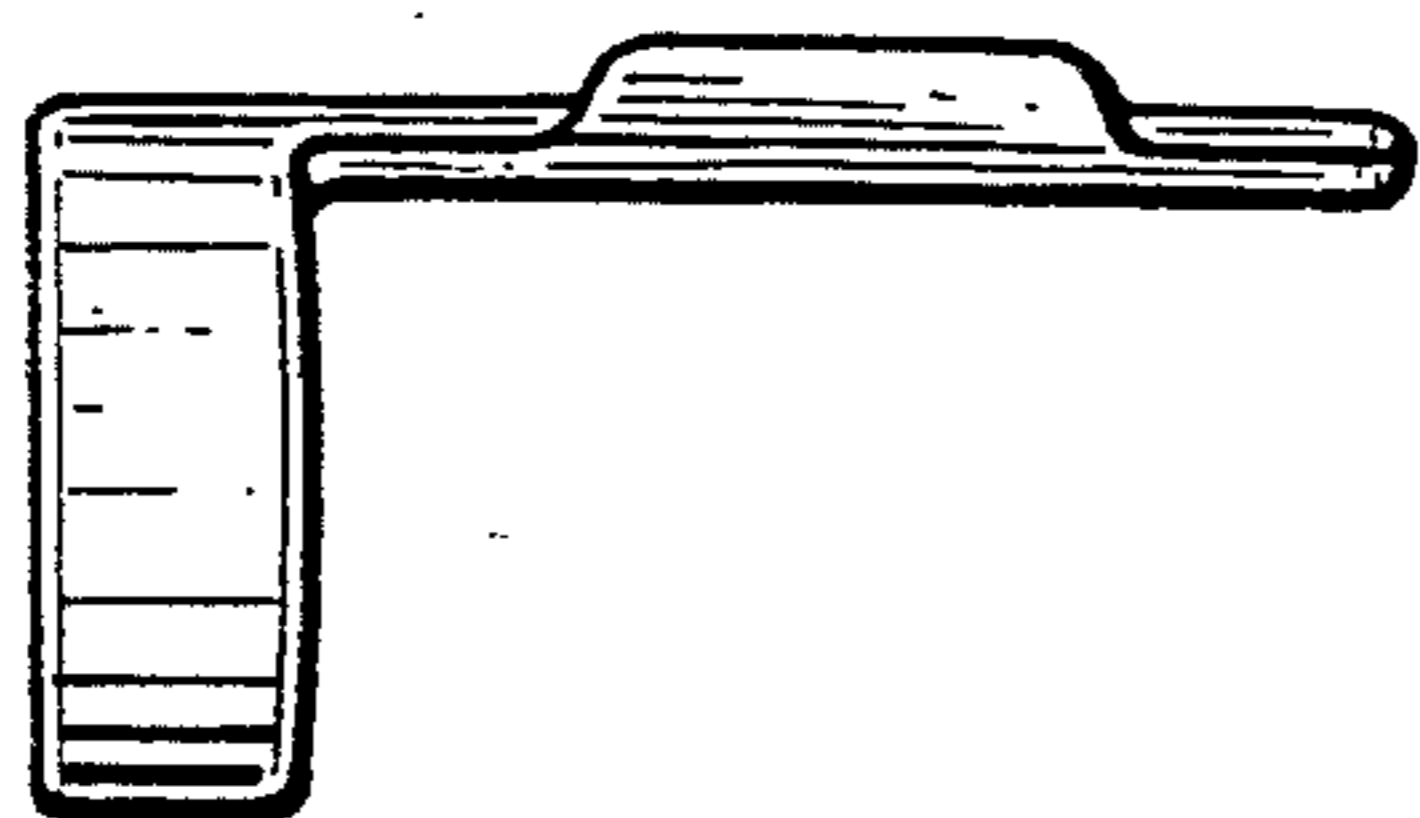


Fig. 6.

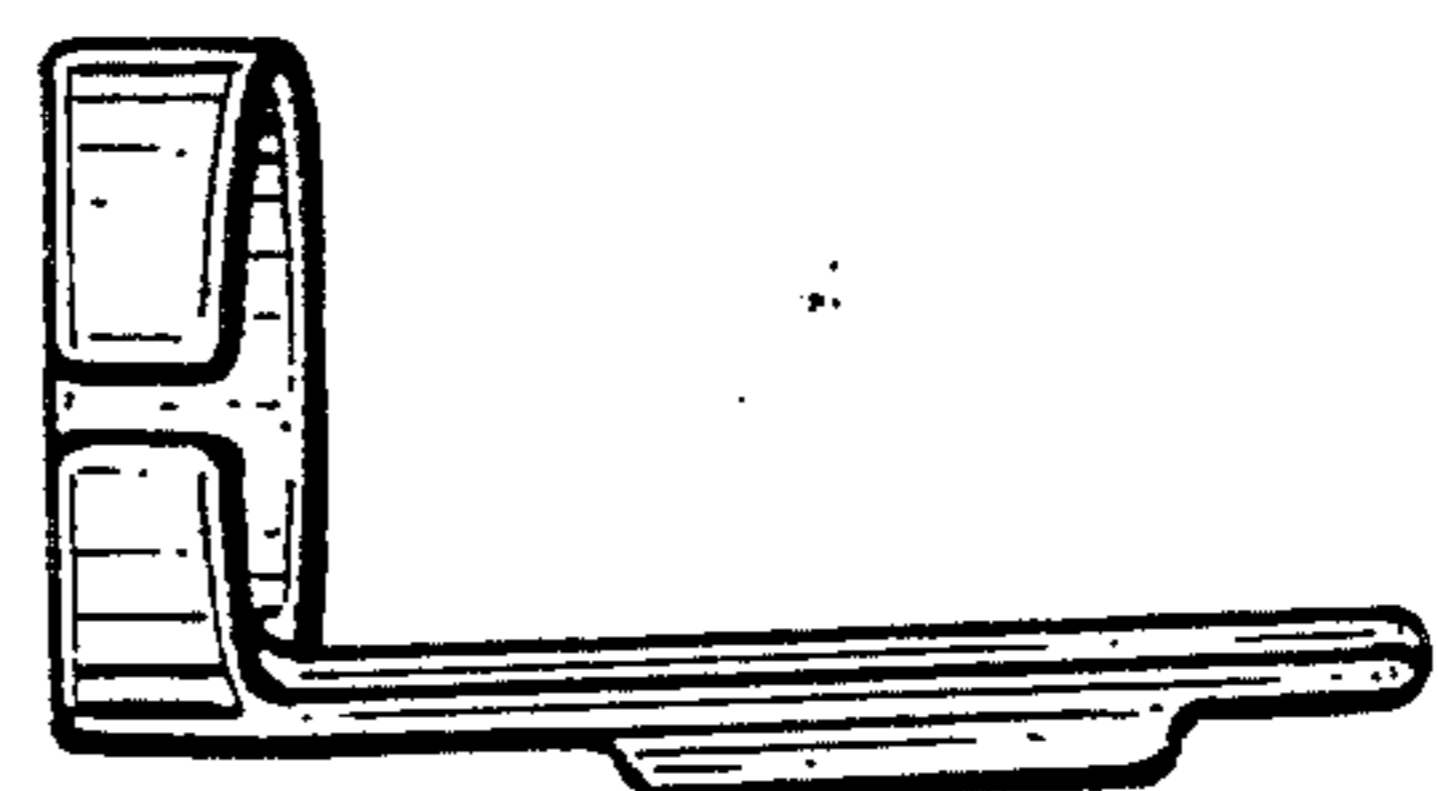


Fig. 7.