



US00D360645S

United States Patent [19]

[11] Patent Number: **Des. 360,645**

Canavan et al.

[45] Date of Patent: **** Jul. 25, 1995**

[54] EYEGLASS LENS

[56] References Cited

[75] Inventors: **Richard W. Canavan**, East Woodstock, Conn.; **James D. Hall**, Lincoln, R.I.

U.S. PATENT DOCUMENTS

D. 320,289	9/1991	Blackstone	D16/312
D. 322,616	12/1991	Wiedner	D16/314
D. 337,596	7/1993	Canavan	D16/101
D. 342,958	1/1994	Canavan	D16/112
D. 347,233	5/1994	Hewitt et al.	D16/313
3,901,589	8/1975	Bienenfeld	351/47
4,868,930	9/1989	Blackstone	2/439
4,952,043	8/1990	Werner et al.	351/47

[73] Assignee: **Uvex Safety, Inc.**, Smithfield, R.I.

Primary Examiner—Prabhakar G. Deshmukh
Assistant Examiner—R. Barkai
Attorney, Agent, or Firm—Salter & Michaelson

[**] Term: **14 Years**

[21] Appl. No.: **22,526**

[57] CLAIM

[22] Filed: **May 6, 1994**

The ornamental design for eyeglass lens, as shown and described.

Related U.S. Application Data

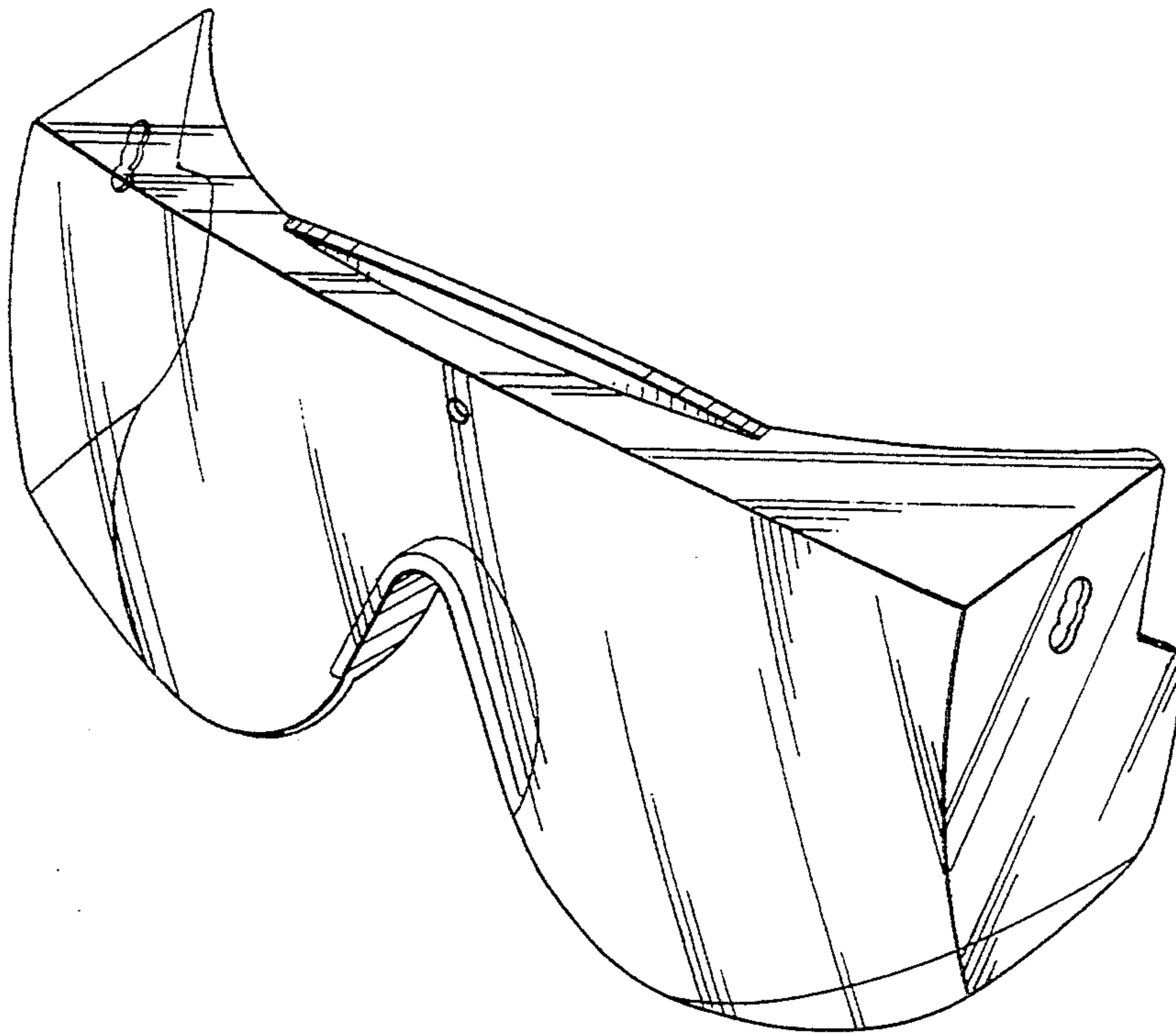
DESCRIPTION

[62] Division of Ser. No. 956, Oct. 30, 1992, Pat. No. Des. 354,068.

[52] U.S. Cl. **D16/101; D16/314**

[58] Field of Search D16/101, 300, 302, 304, D16/309-317, 323, 326, 332, 333, 335, 341; D29/109; 2/428-430, 432, 436, 439, 449; 351/44, 47, 48, 51, 56-59, 110, 119, 120, 158

FIG. 1 is a front perspective view of an eyeglass lens showing our new design;
FIG. 2 is a side view thereof, the opposite being a mirror image;
FIG. 3 is a front elevational view thereof;
FIG. 4 is a top plan view thereof;
FIG. 5 is a rear elevational view thereof; and,
FIG. 6 is a bottom plan view thereof.



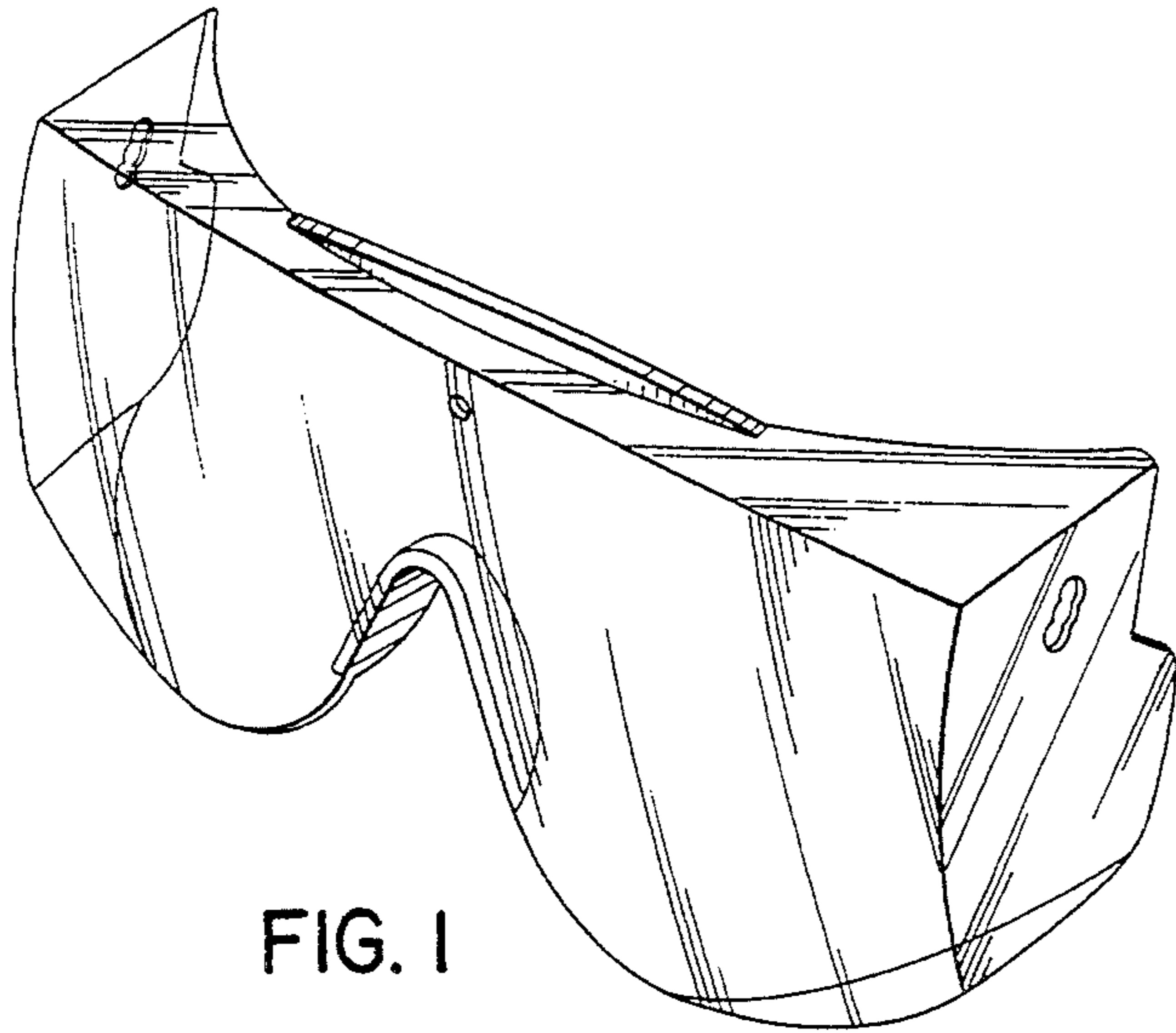


FIG. 1

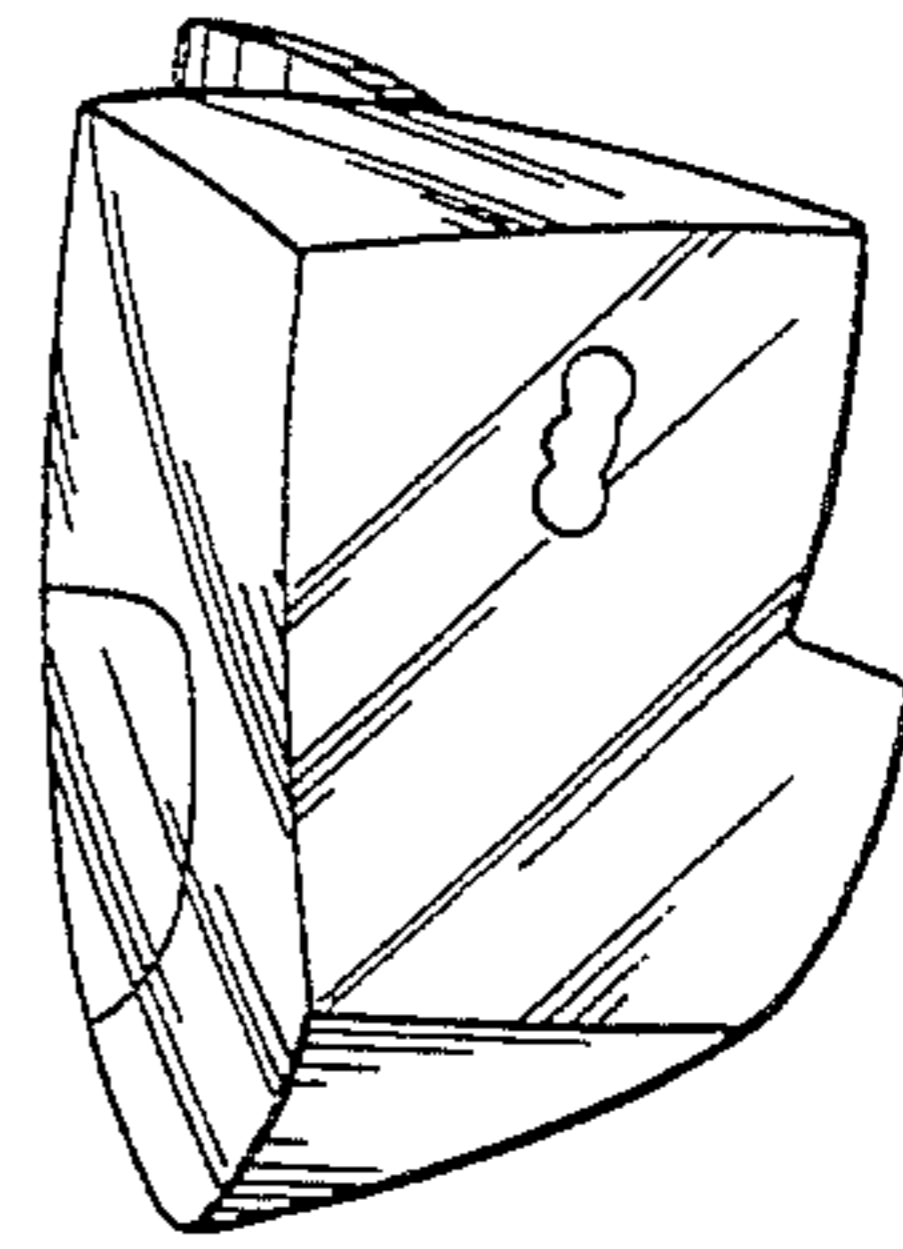


FIG. 2

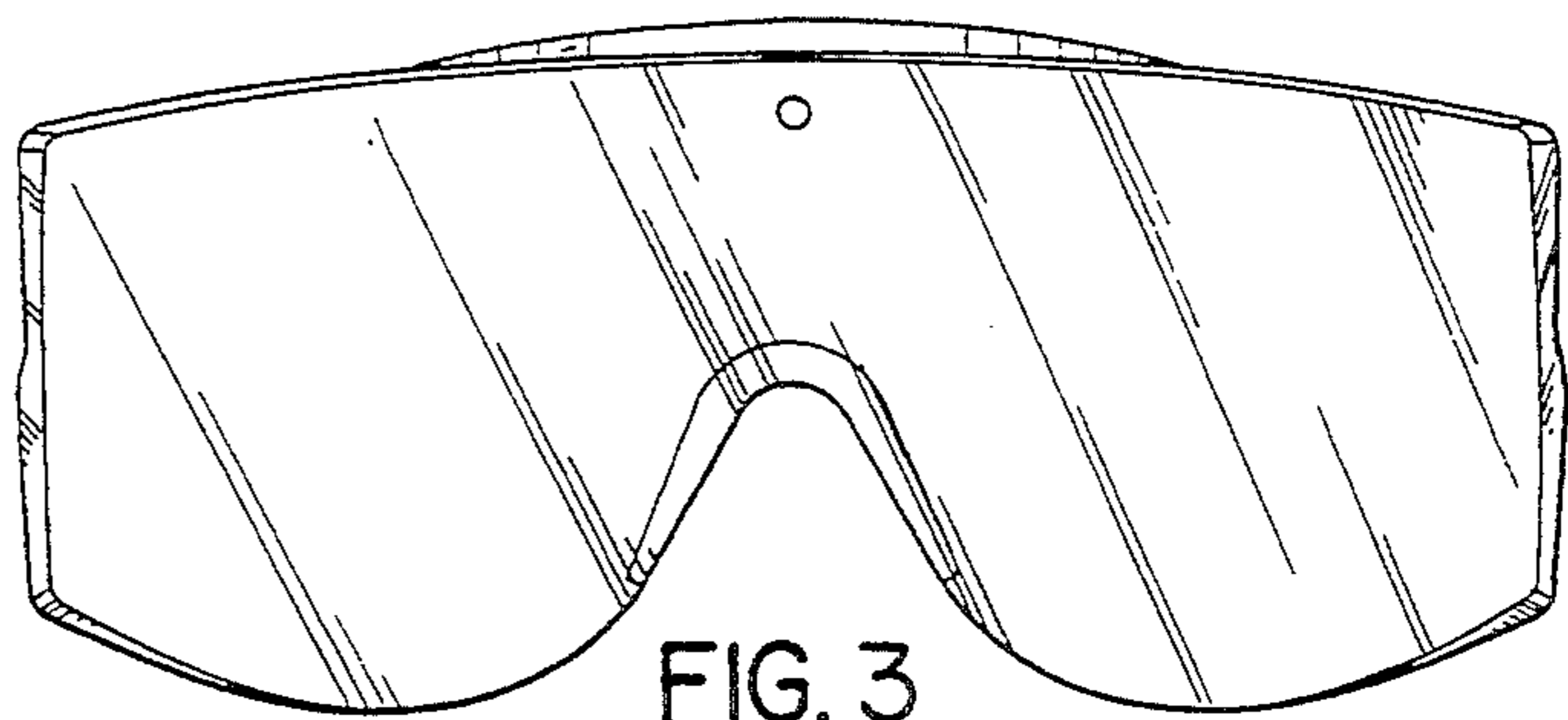


FIG. 3

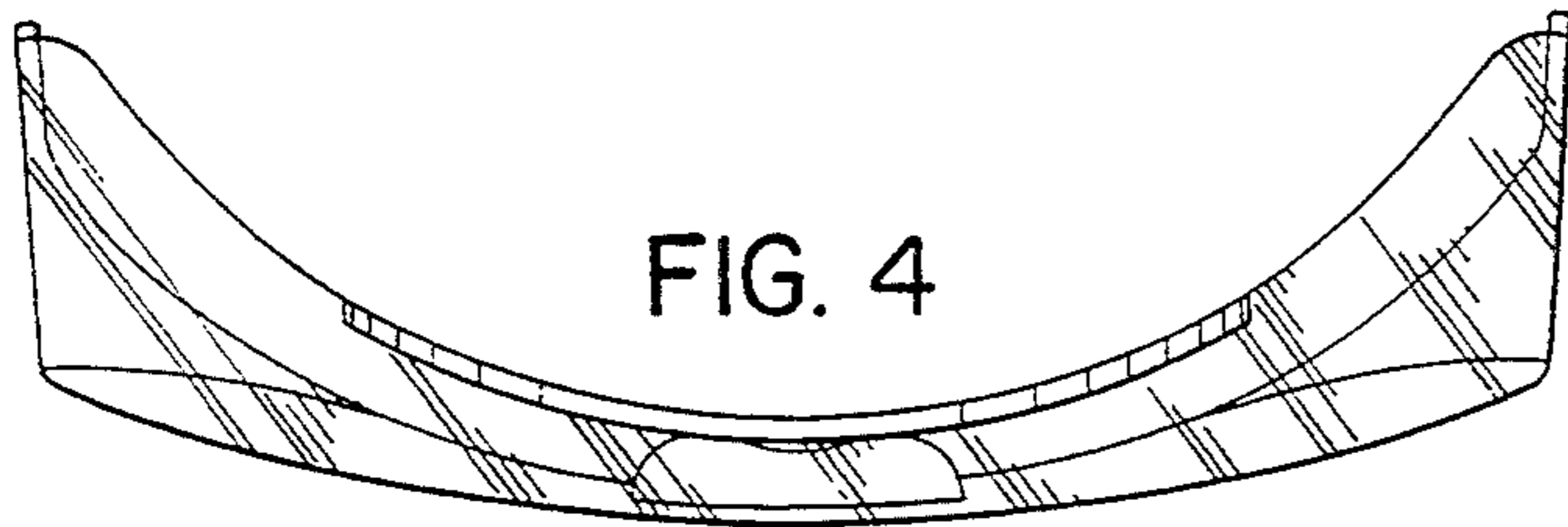


FIG. 4

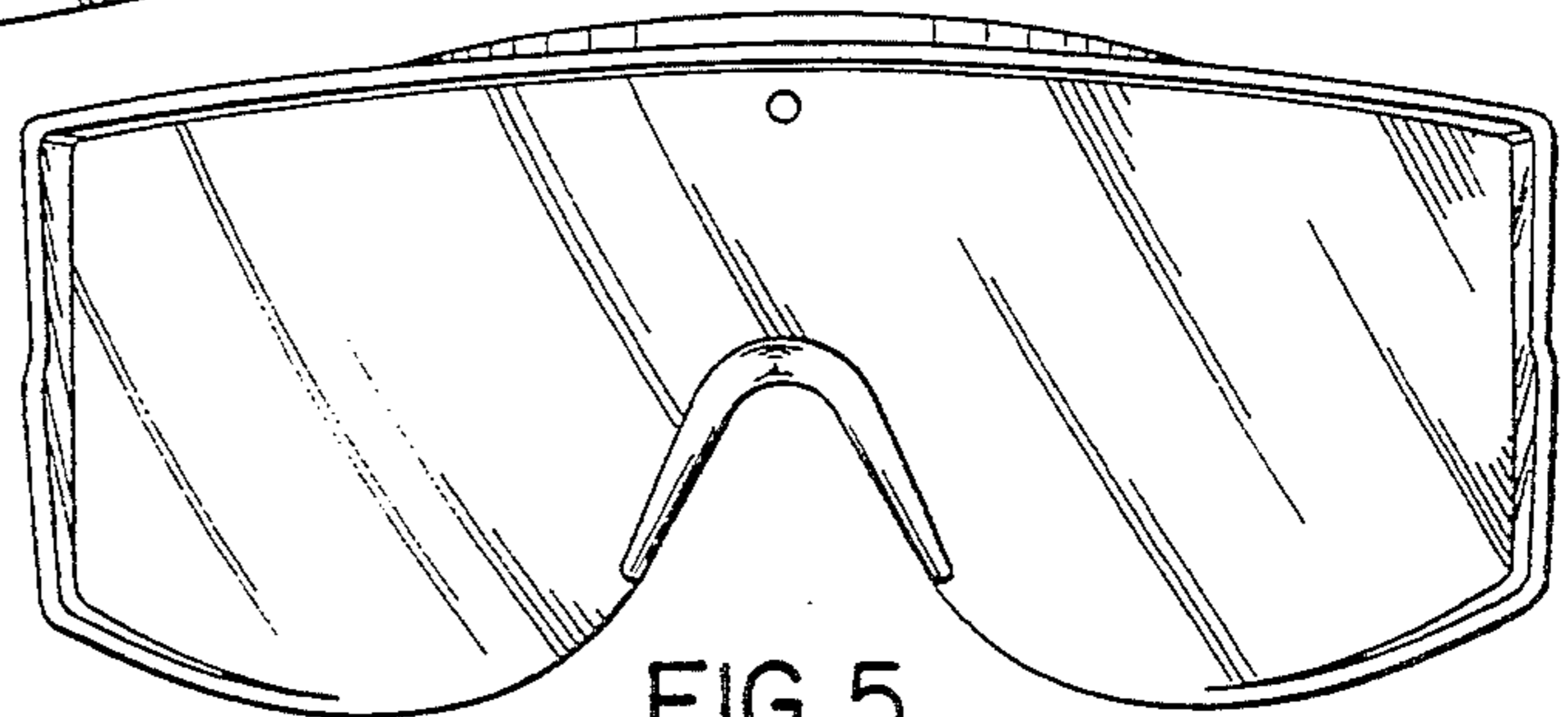


FIG. 5

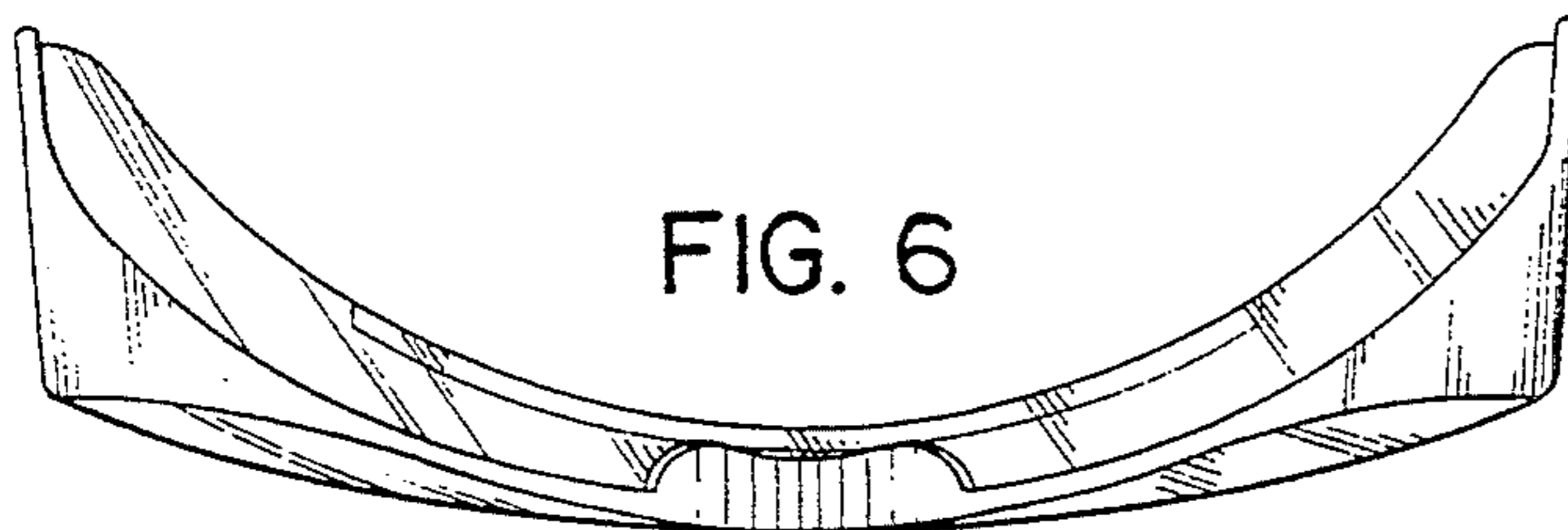


FIG. 6