



US00D360640S

# United States Patent [19]

[11] Patent Number: **Des. 360,640**

**Krippelz**

[45] Date of Patent: **\*\* Jul. 25, 1995**

- [54] **BAND SAW GUIDE**
- [75] Inventor: **Jacob Krippelz, Oswego, Ill.**
- [73] Assignee: **Jake's Mach. & Rebuilding Service, Inc., Aurora, Ill.**
- [\*\*] Term: **14 Years**
- [21] Appl. No.: **20,831**
- [22] Filed: **Apr. 4, 1994**
- [52] U.S. Cl. .... **D15/134**
- [58] Field of Search ..... **D15/133, 134; 83/13.56, 83/168, 169, 455, 796, 814, 820, 821, 828, 829; 409/244**

4,327,621 5/1982 Voorhees et al. .... D15/134 X

*Primary Examiner*—Antoine Duval Davis  
*Attorney, Agent, or Firm*—McCaleb, Lucas & Brugman

### [57] CLAIM

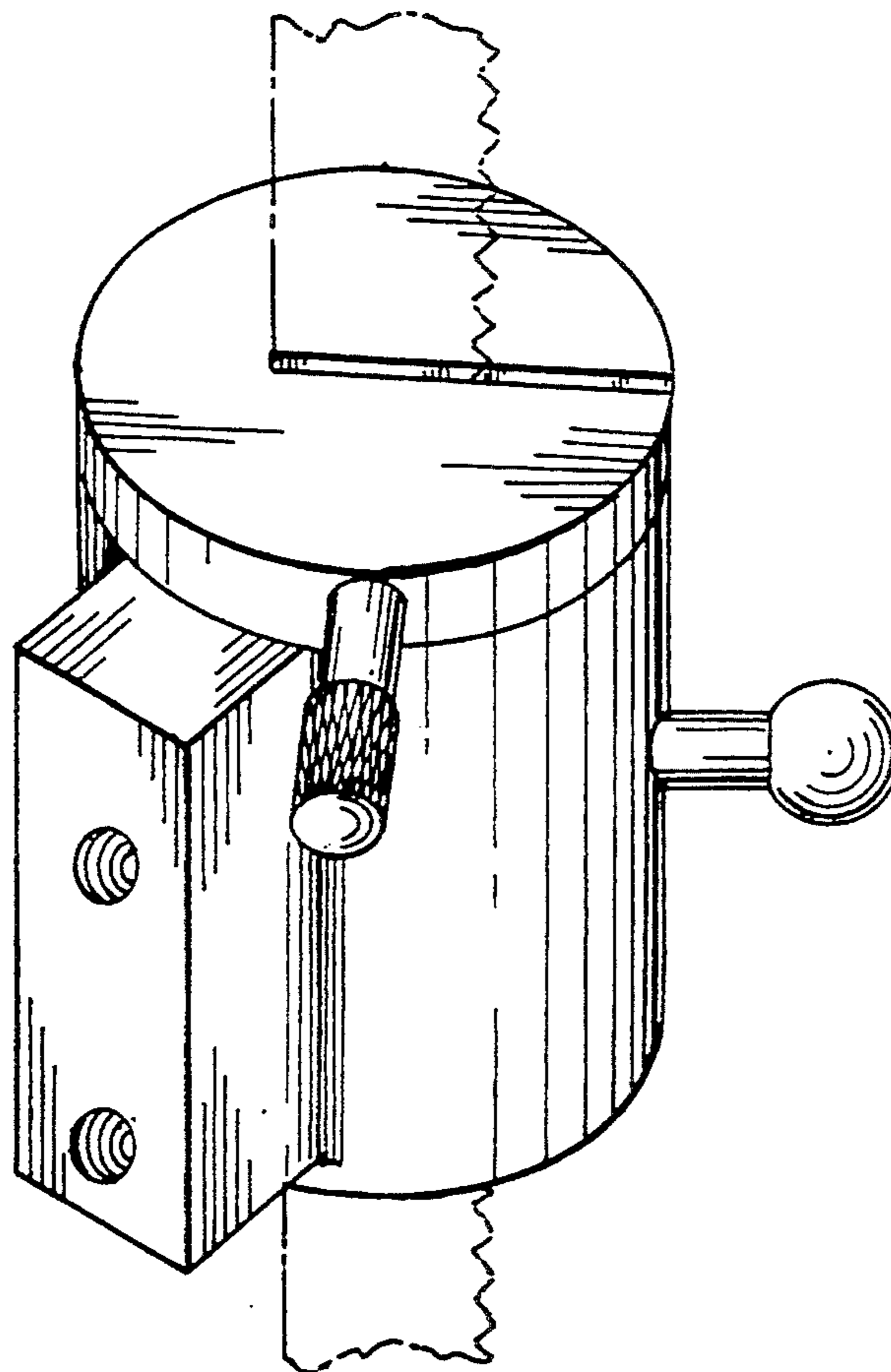
The ornamental design for a band saw guide, as shown and described.

### DESCRIPTION

FIG. 1 is a perspective view of a band saw guide embodying the ornamental design of this invention; FIG. 2 is a front elevational view thereof; FIG. 3 is a top plan view thereof; FIG. 4 is a right side elevational view thereof; FIG. 5 is a left side elevational view thereof; FIG. 6 is a rear elevational view thereof; FIG. 7 is a bottom plan view thereof; and, FIG. 8 is a bottom perspective view thereof.

The broken line showing of a partial saw blade is for illustration purposes only and forms no part of the claimed design.

- [56] **References Cited**
- U.S. PATENT DOCUMENTS**
- D. 287,975 1/1987 Thompson ..... D15/134
- D. 301,148 5/1989 Thompson ..... D15/134
- D. 309,464 7/1990 Salomonsson ..... D15/133
- 2,760,531 8/1956 Tommila ..... 83/821



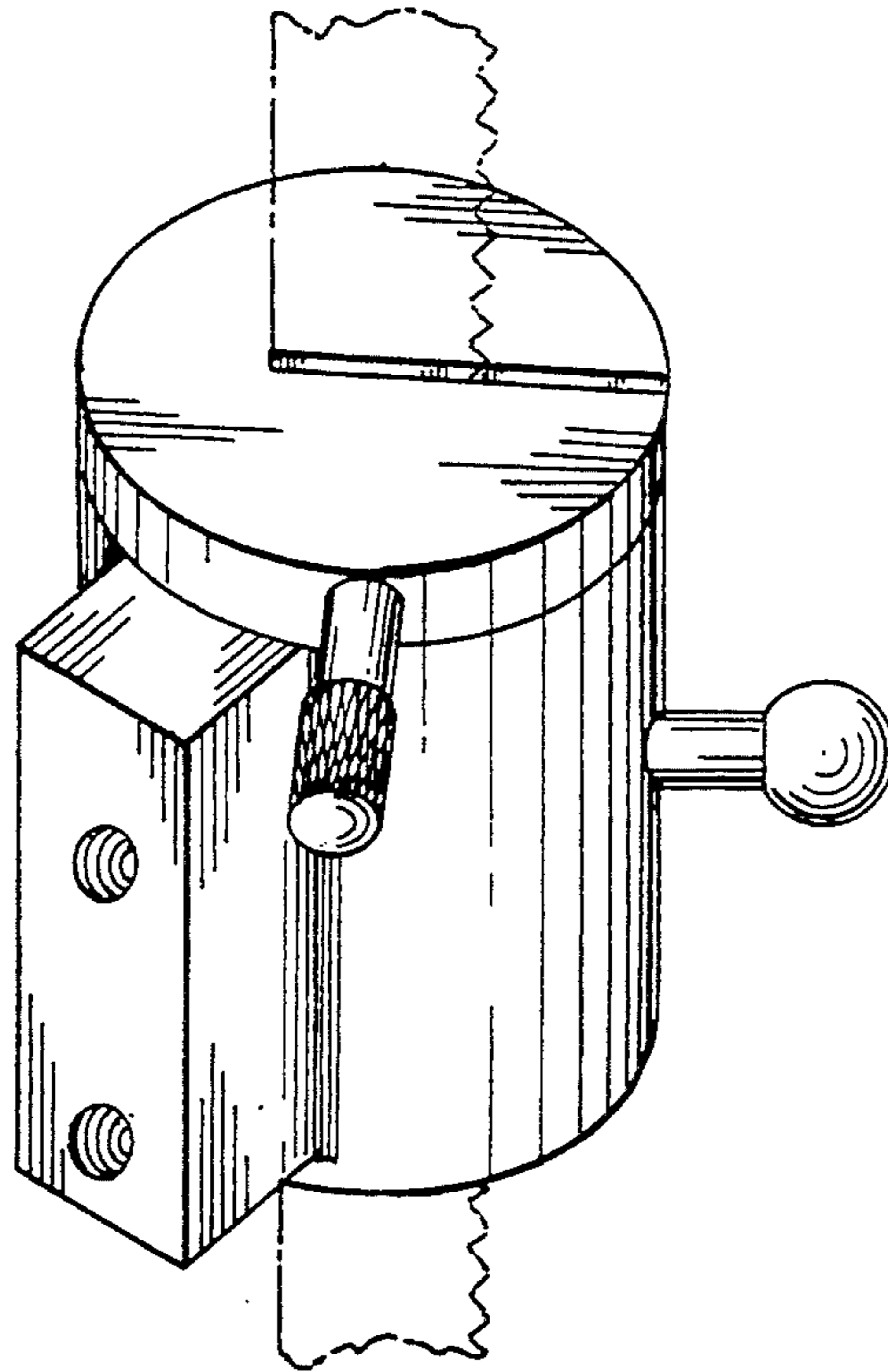


FIG. 1

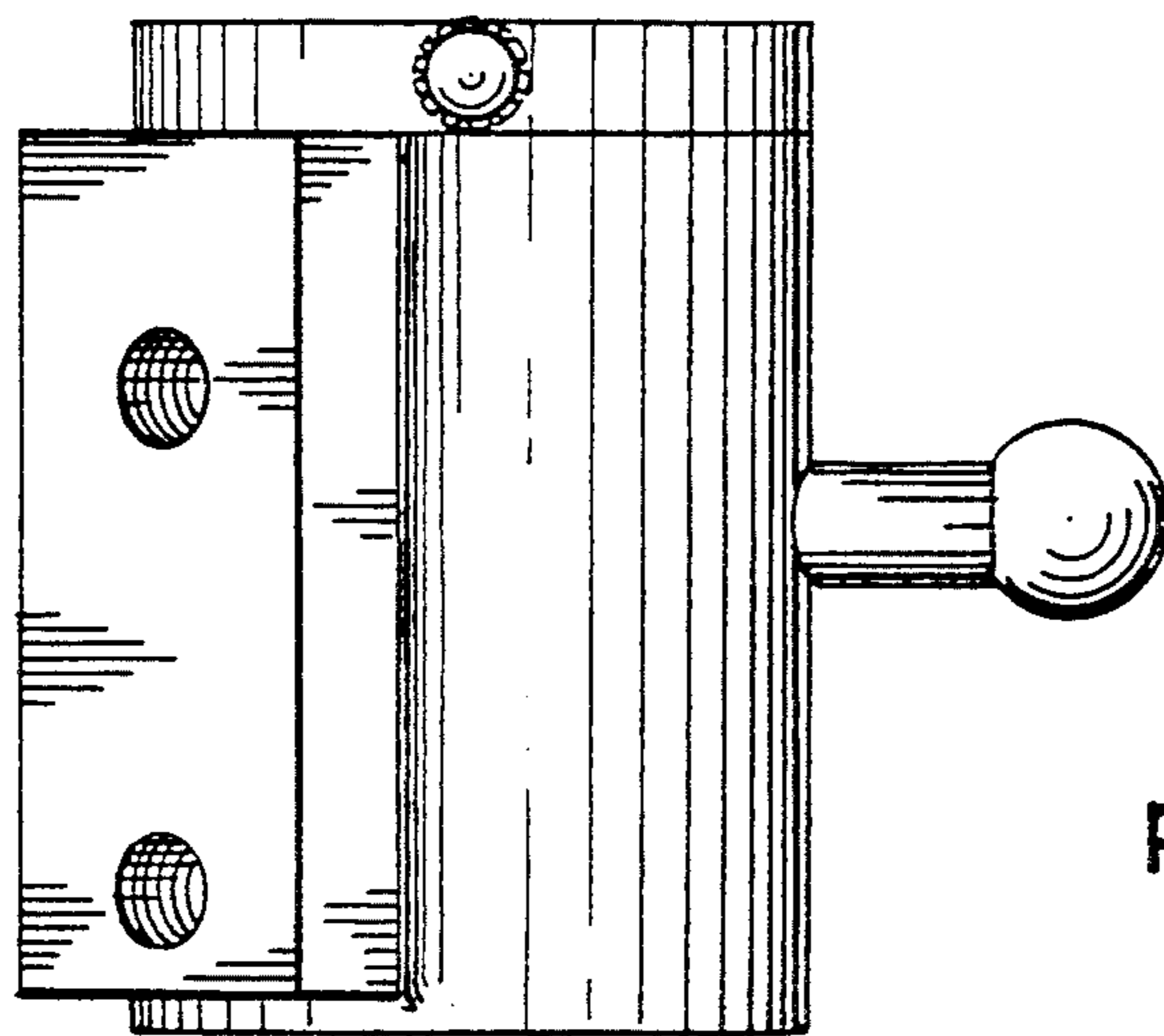


FIG. 2

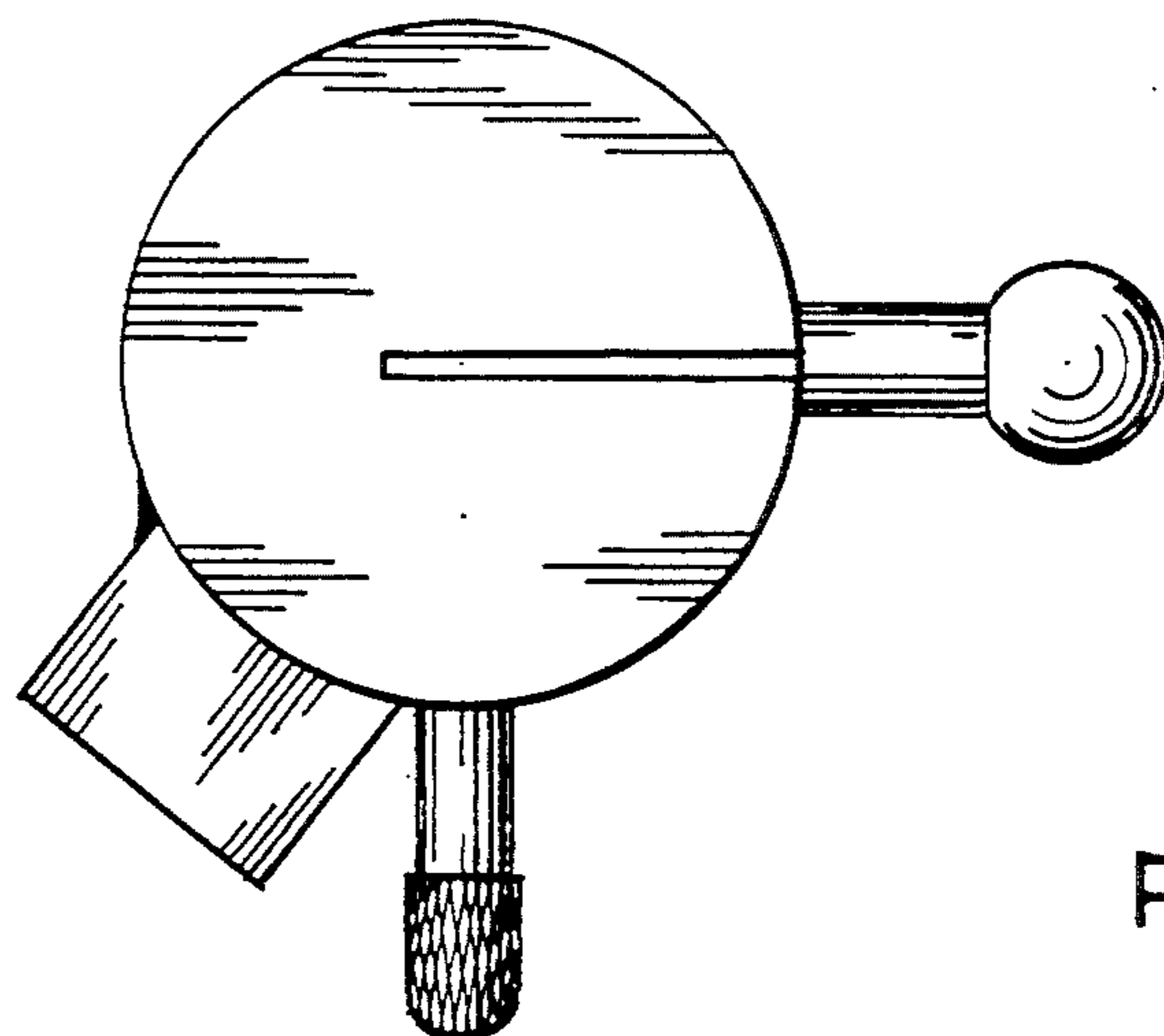


FIG. 3

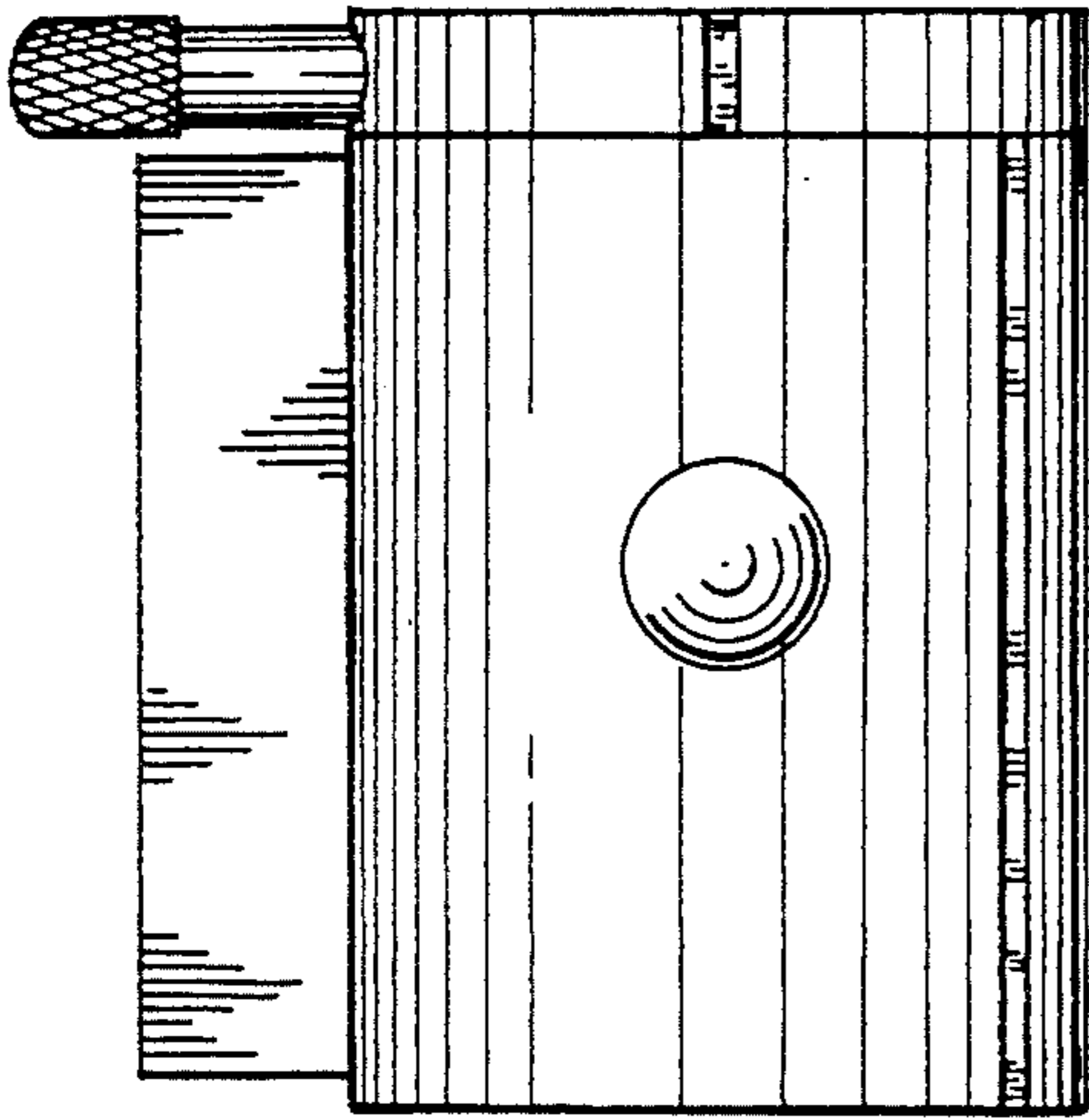


FIG. 4

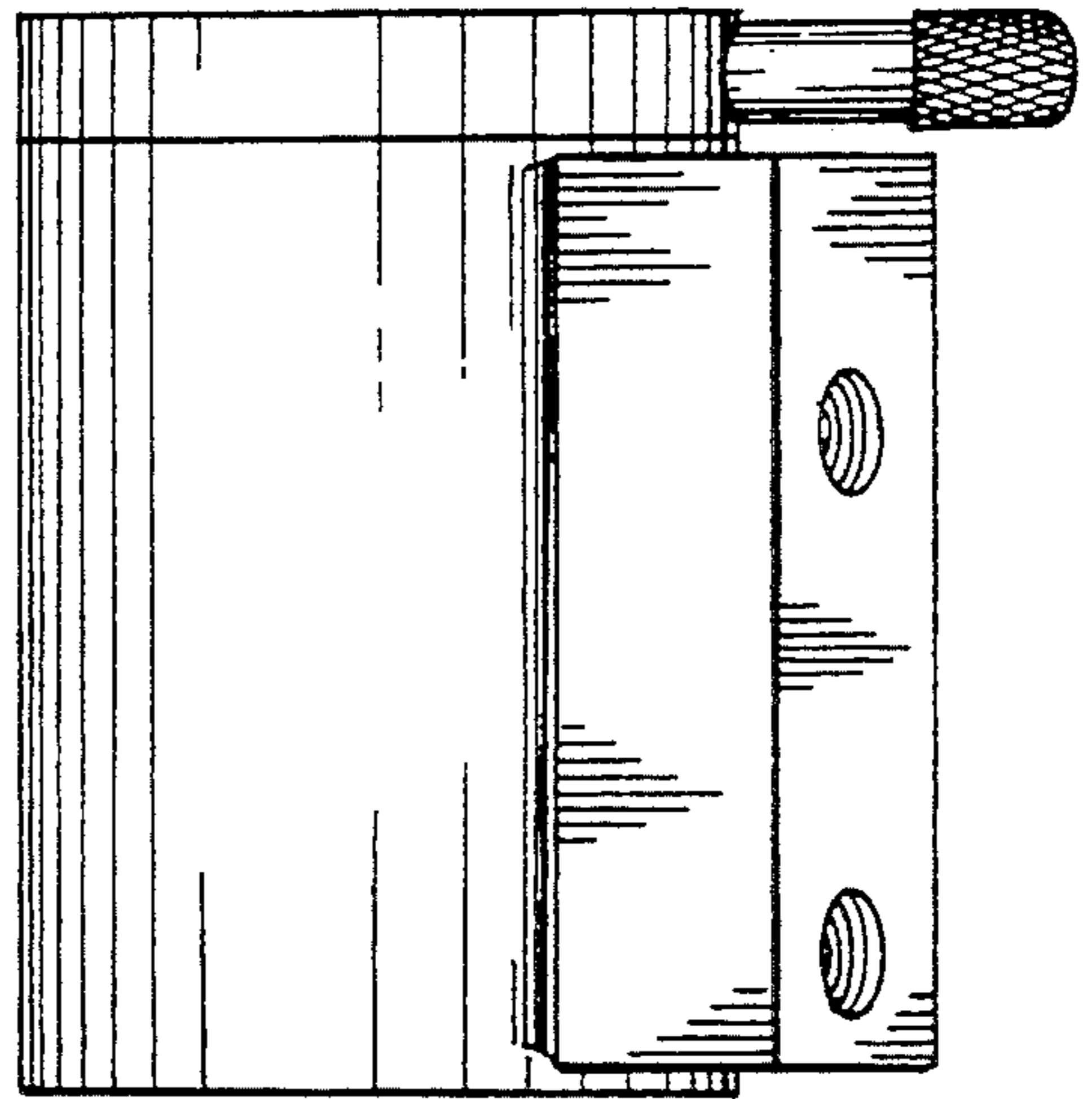


FIG. 5

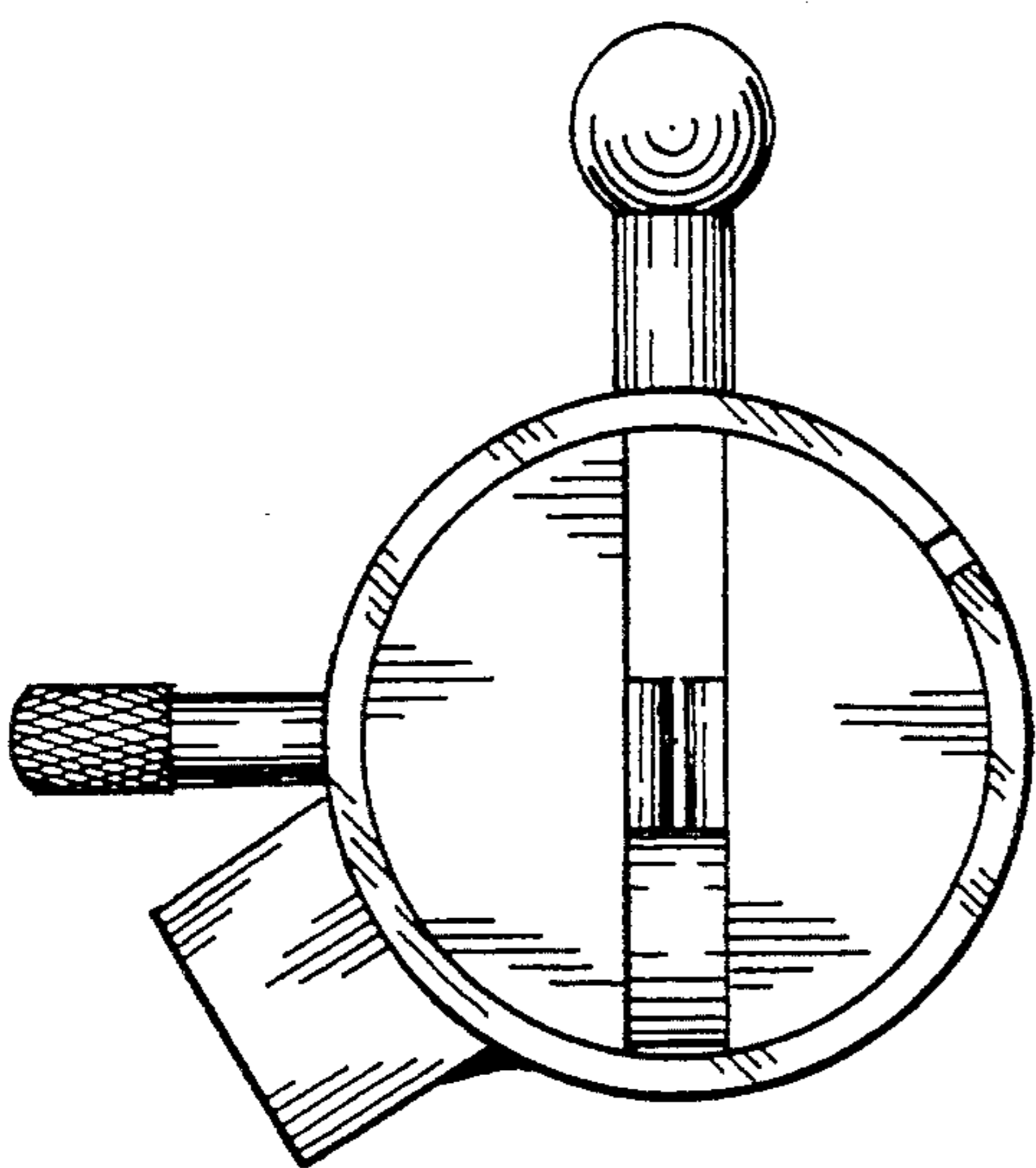


FIG. 7

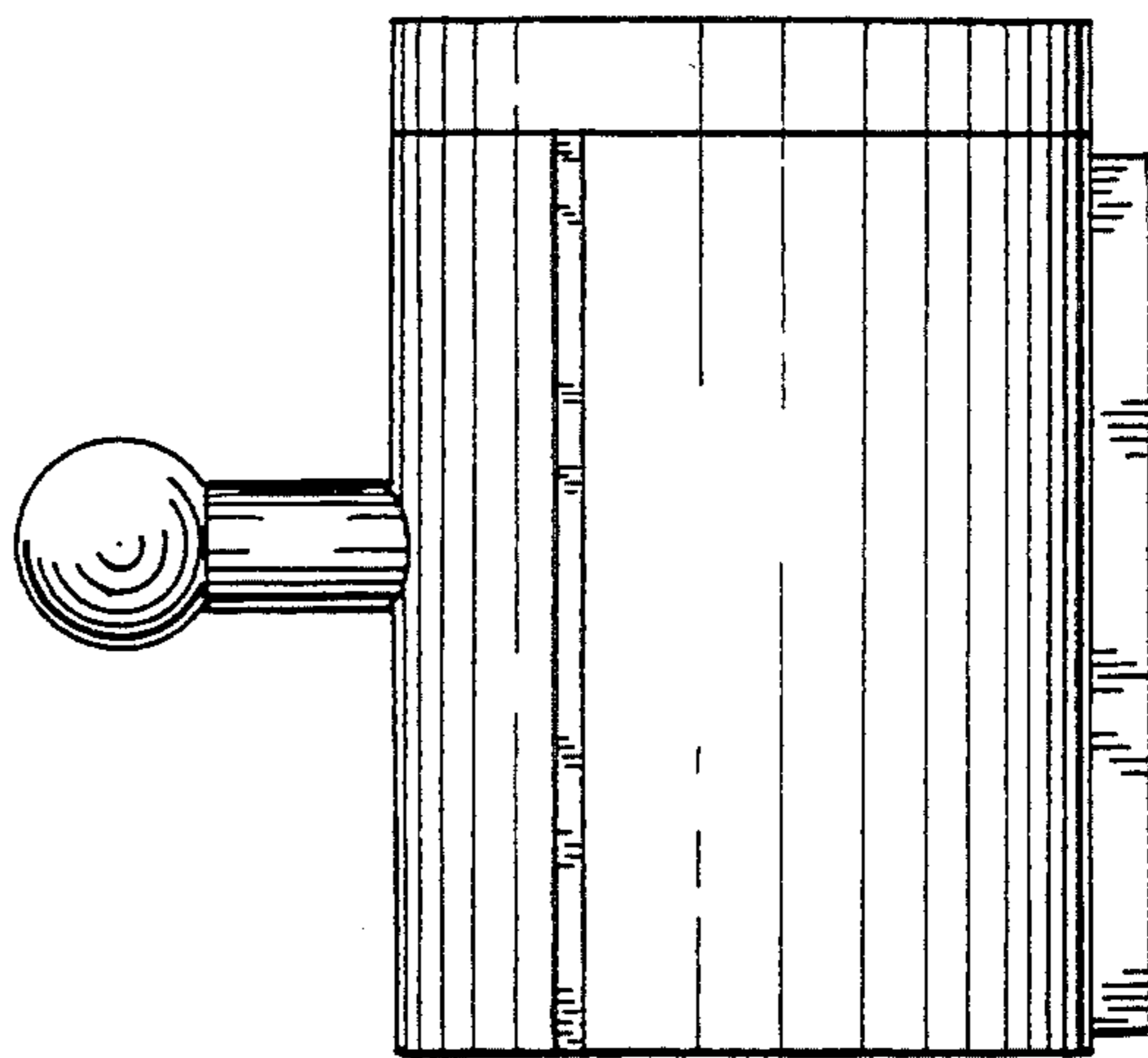


FIG. 6

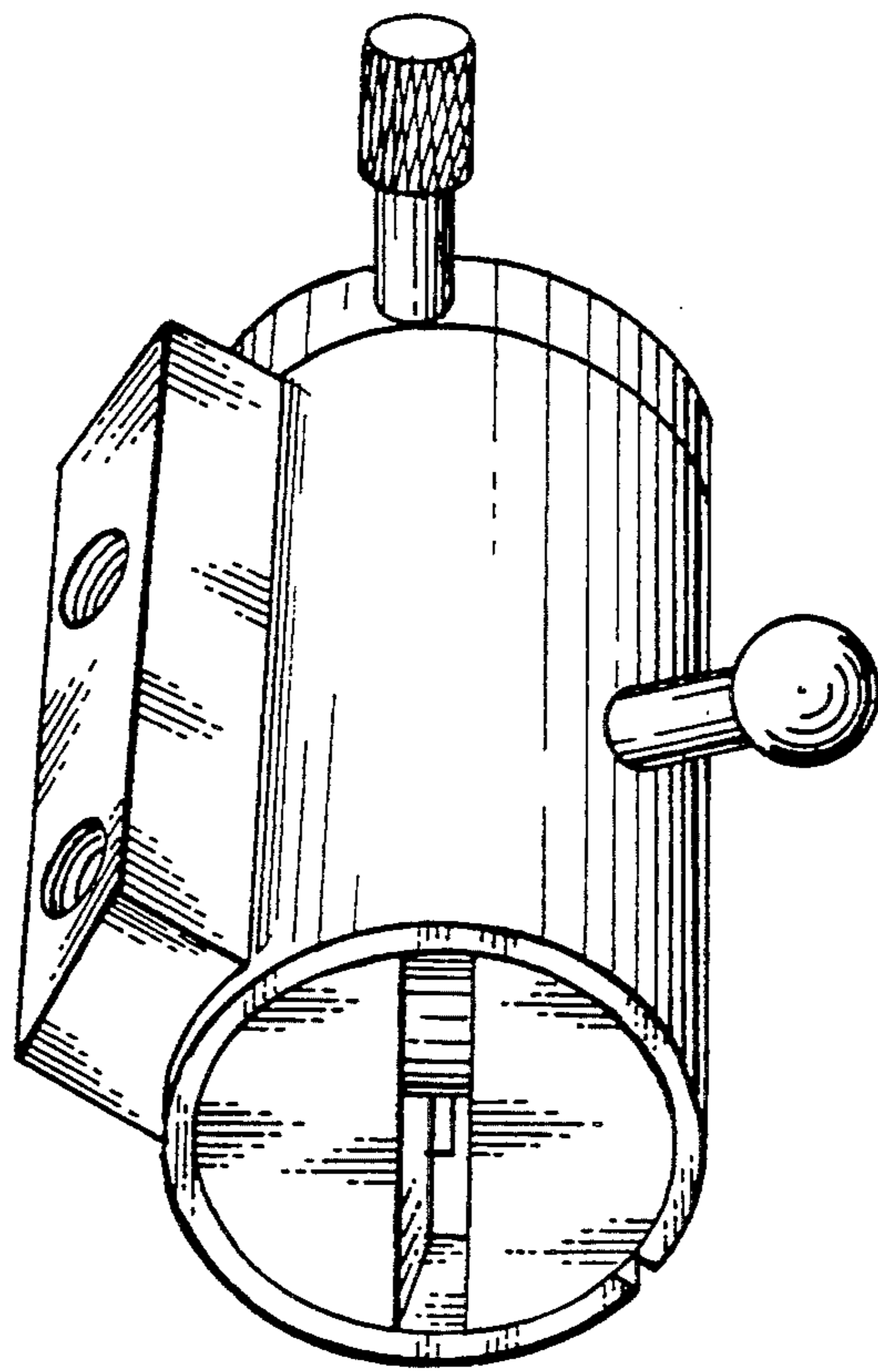


FIG. 8