



US00D360639S

United States Patent [19]

[11] Patent Number: **Des. 360,639**

Strother

[45] Date of Patent: **** Jul. 25, 1995**

[54] **EDGER FOR USE ON A RIDING LAWNMOWER**

[76] Inventor: **Clyde Strother**, P.O. Box 4348,
Monroe, La. 71211

[**] Term: **14 Years**

[21] Appl. No.: **14,902**

[22] Filed: **Nov. 4, 1993**

[52] U.S. Cl. **D15/17**

[58] Field of Search **D8/8; D15/13-17;**
30/276, 292, 347; 56/12.7, 13.7, 256, 295, 320.1,
320.2; 172/13-15

4,453,372 6/1984 Remer 56/13.7
 4,551,967 11/1985 Murcko 56/13.7
 4,691,784 9/1987 Mullet et al. 172/15
 4,718,221 1/1988 Wessel et al. 56/13.7
 4,965,990 10/1990 Slawson 56/13.7
 5,228,276 7/1993 Miller 56/12.7

Primary Examiner—Theodore M. Shooman
Assistant Examiner—Sandra Morris
Attorney, Agent, or Firm—Terry M. Gernstein

[57] CLAIM

The ornamental design for an edger for use on a riding lawnmower, as shown and described.

DESCRIPTION

FIG. 1 is a front, top and side perspective view of the edger for use on a riding lawnmower showing my new design;

FIG. 2 is a front elevational view thereof;

FIG. 3 is a rear elevational view thereof;

FIG. 4 is a side elevational view thereof;

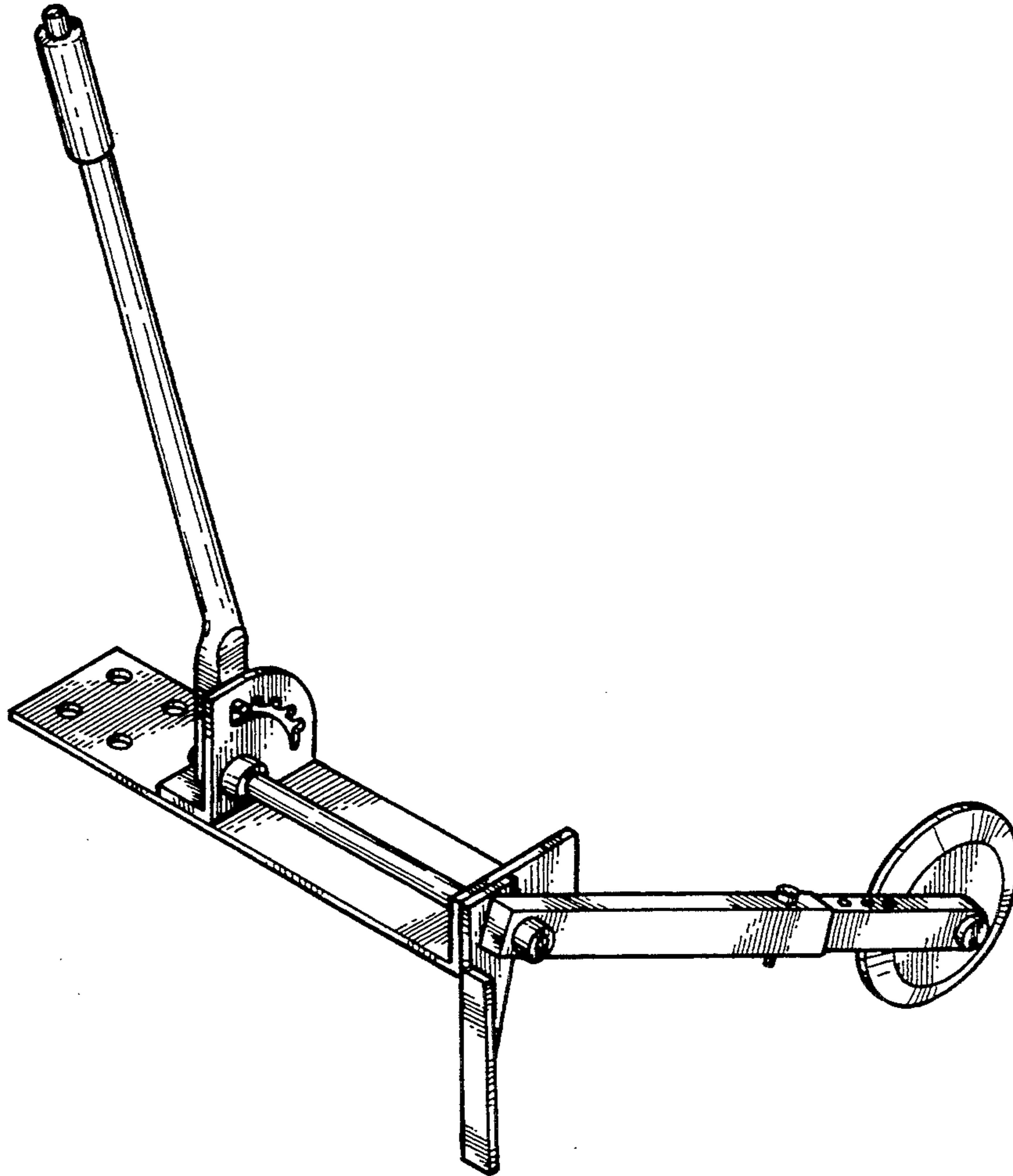
FIG. 5 is a side elevational view thereof;

FIG. 6 is a top plan view thereof; and,

FIG. 7 is a bottom plan view thereof.

[56] **References Cited**
U.S. PATENT DOCUMENTS

D. 311,009	10/1990	Wilkins	D15/17
D. 347,011	5/1994	Baxter	D15/17
2,270,649	1/1942	Corley	30/292
2,483,935	10/1949	Ridenour	172/14
2,844,084	7/1958	Greenland	30/292
3,048,921	8/1962	Johnson	30/292
3,322,201	5/1967	Ballister	172/14
4,200,155	4/1980	Mullet et al.	172/14



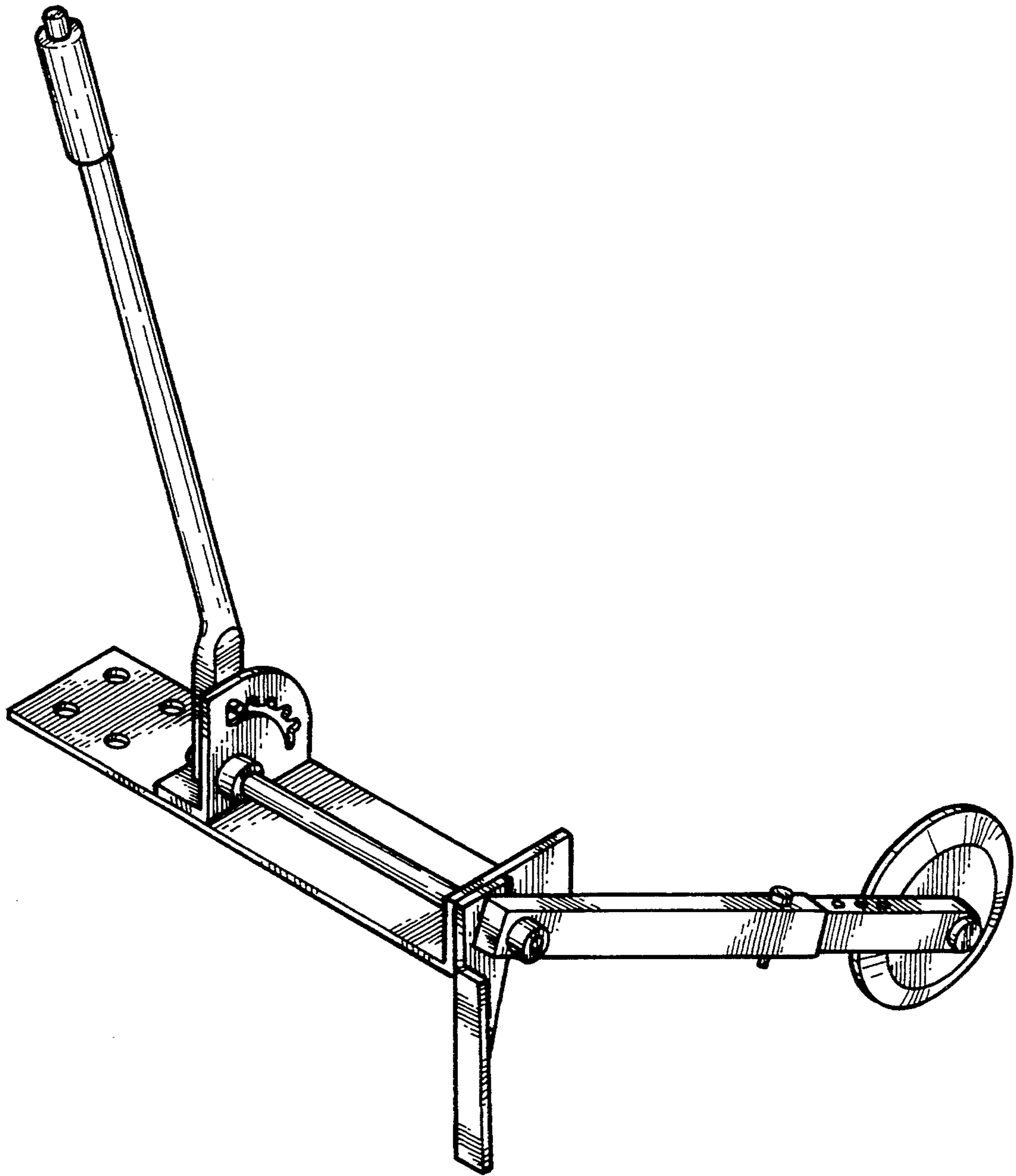


FIG. 1

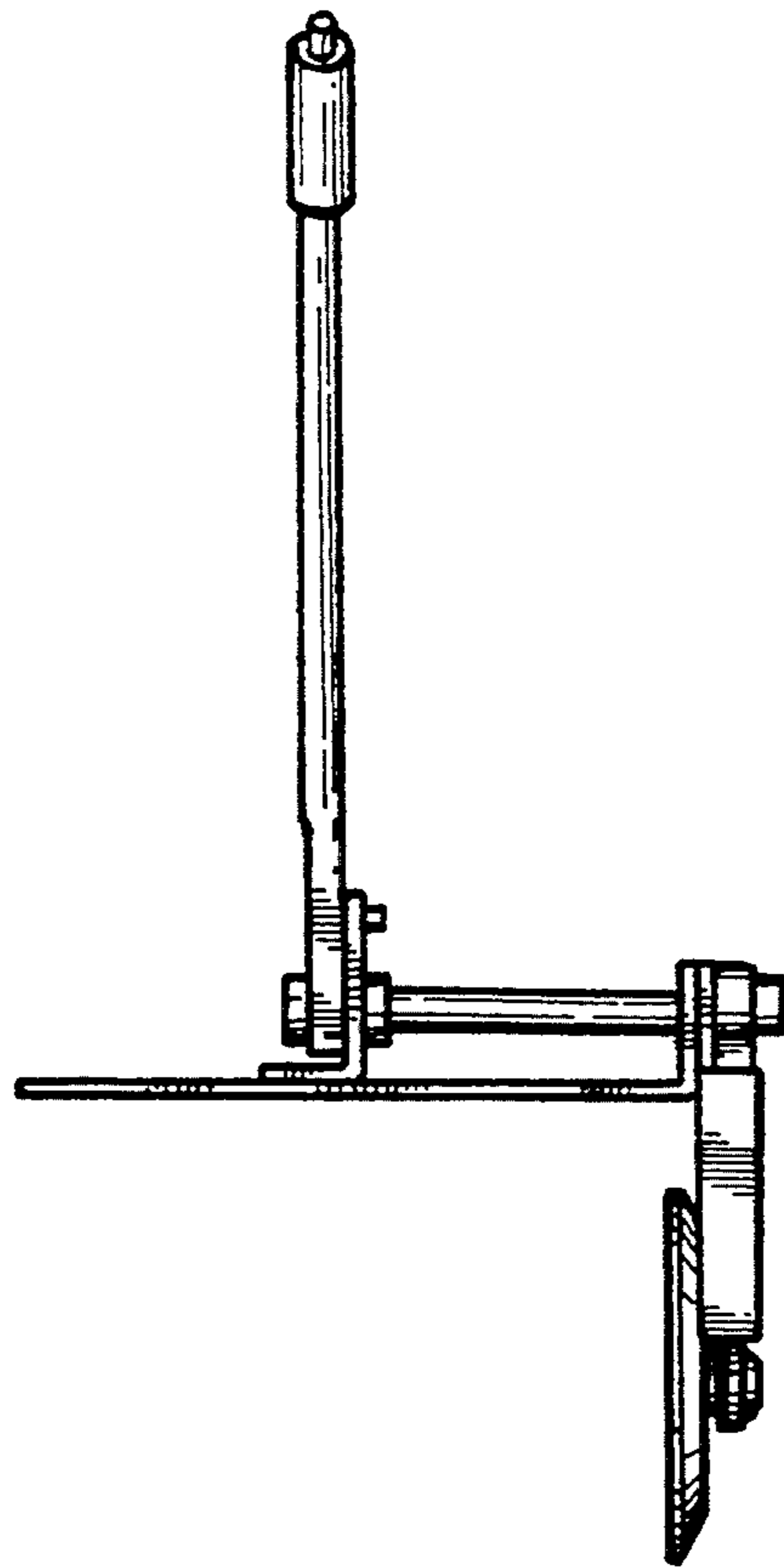
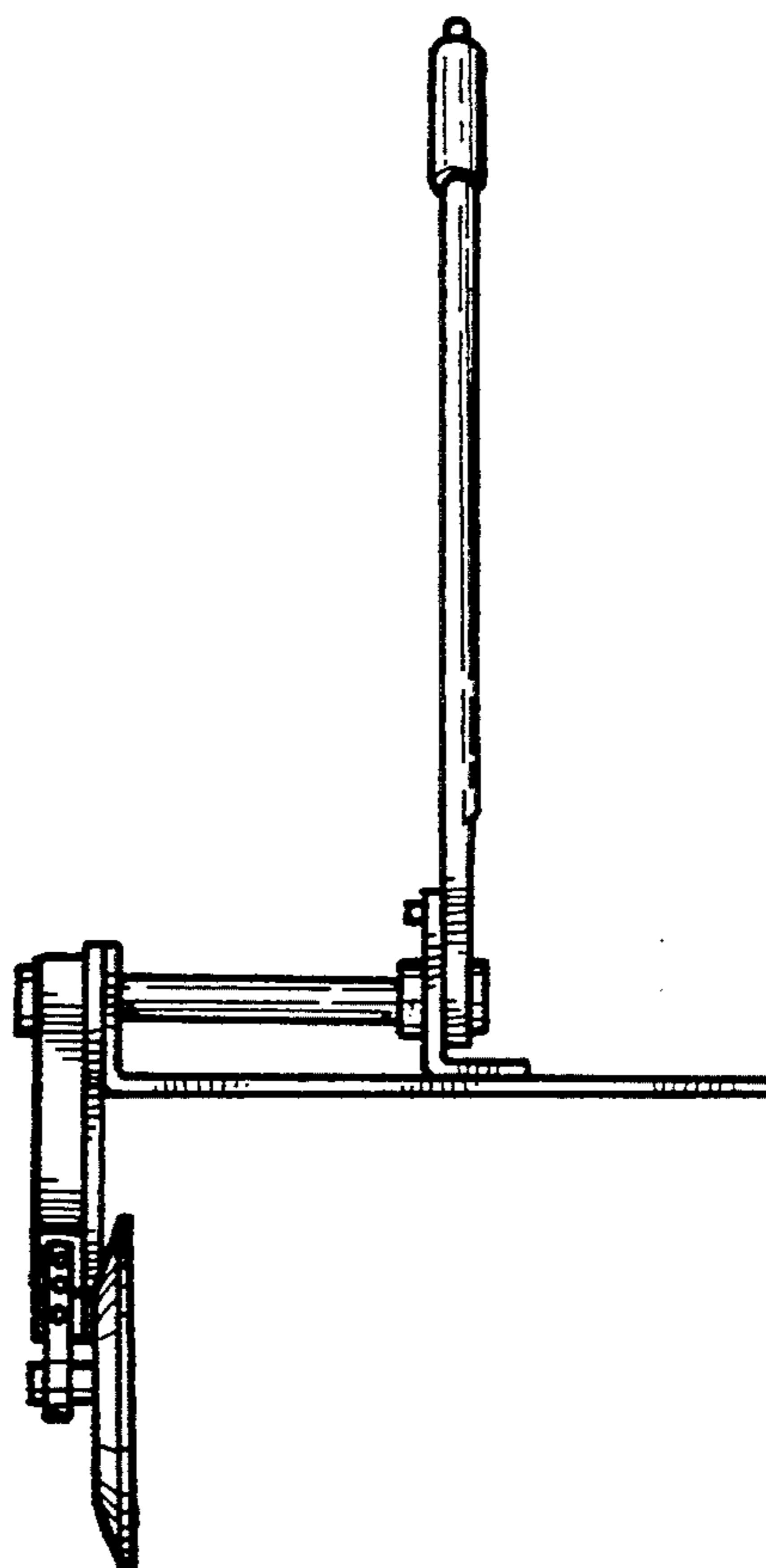


FIG. 2

FIG. 3



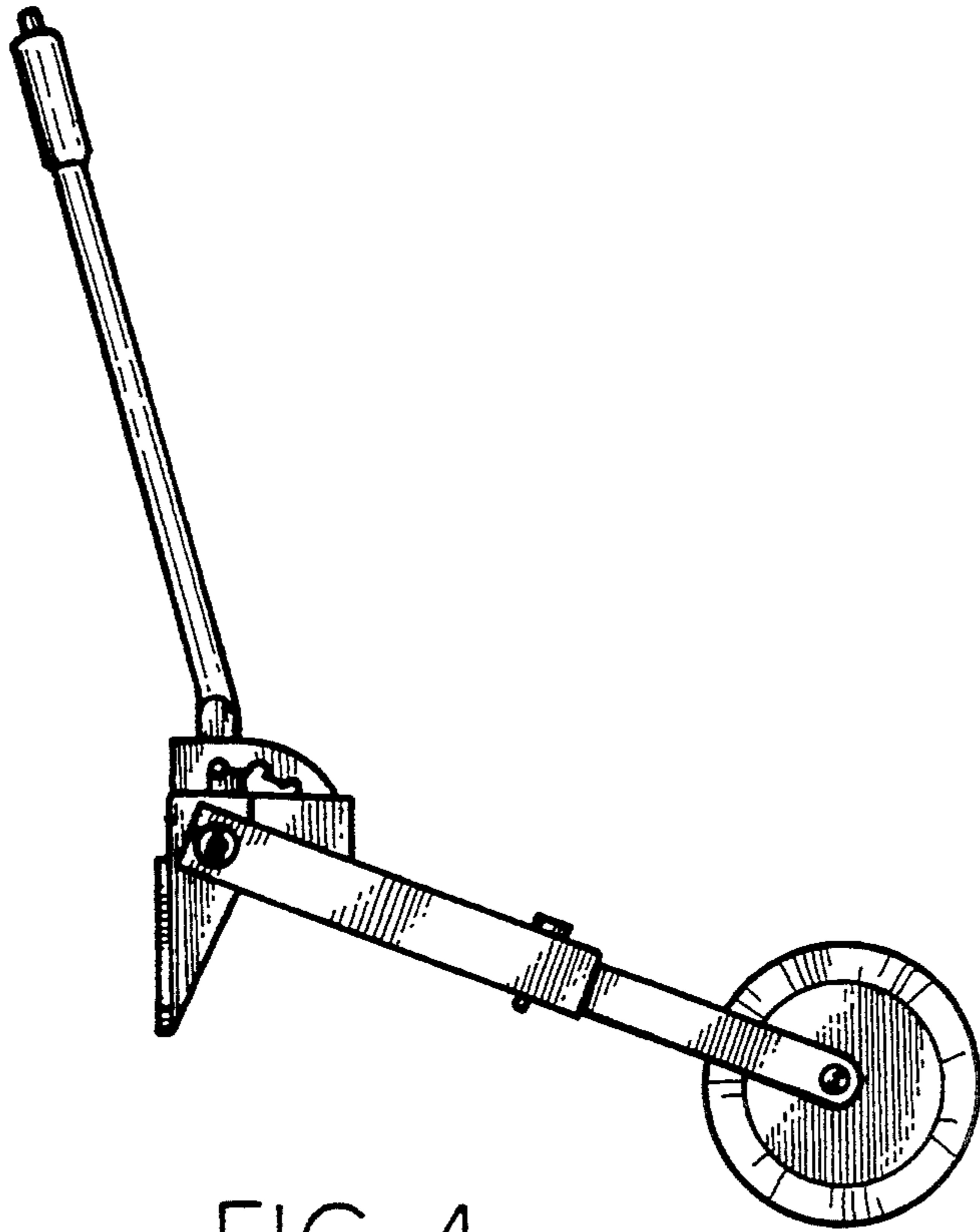


FIG. 4

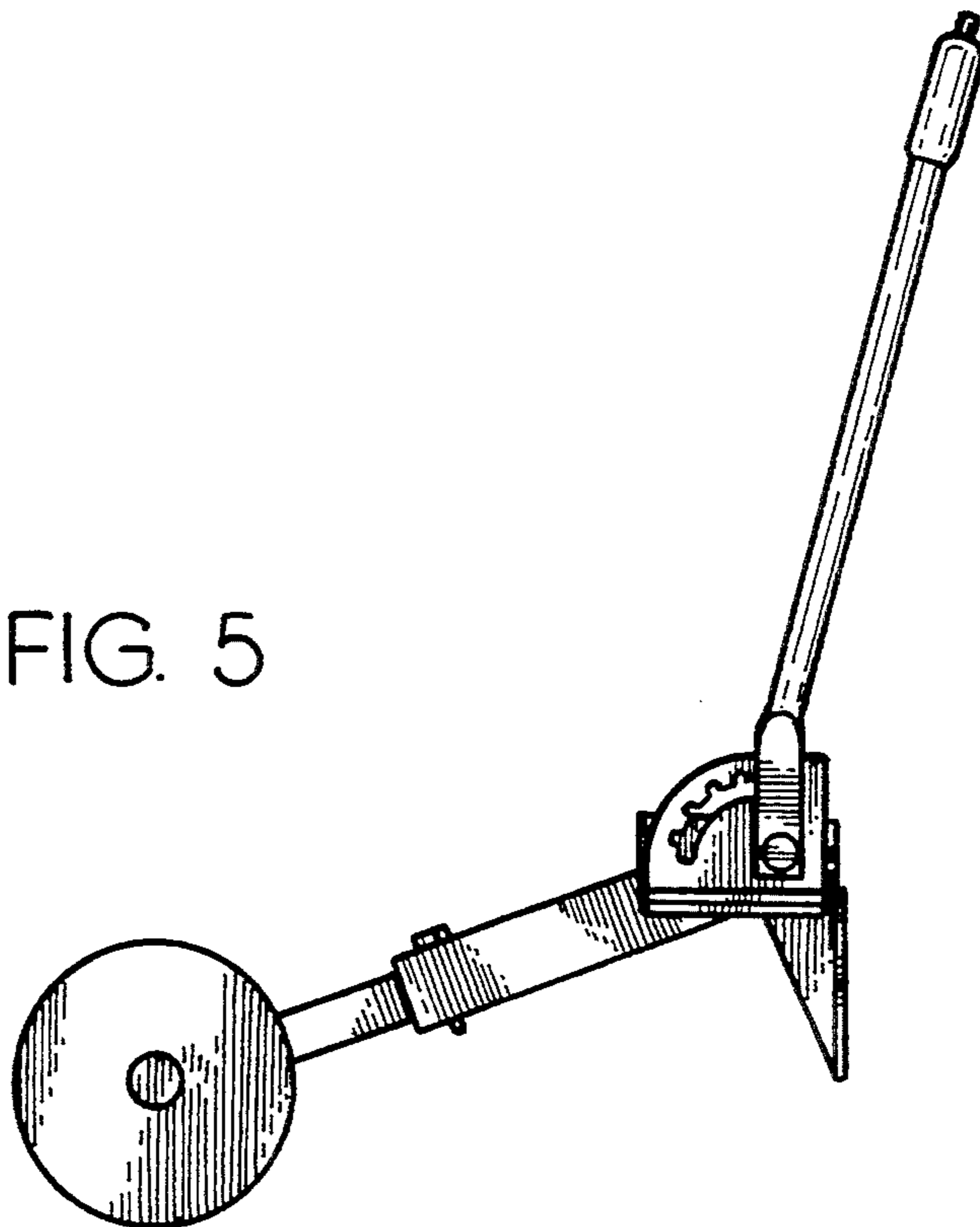


FIG. 5

FIG. 6

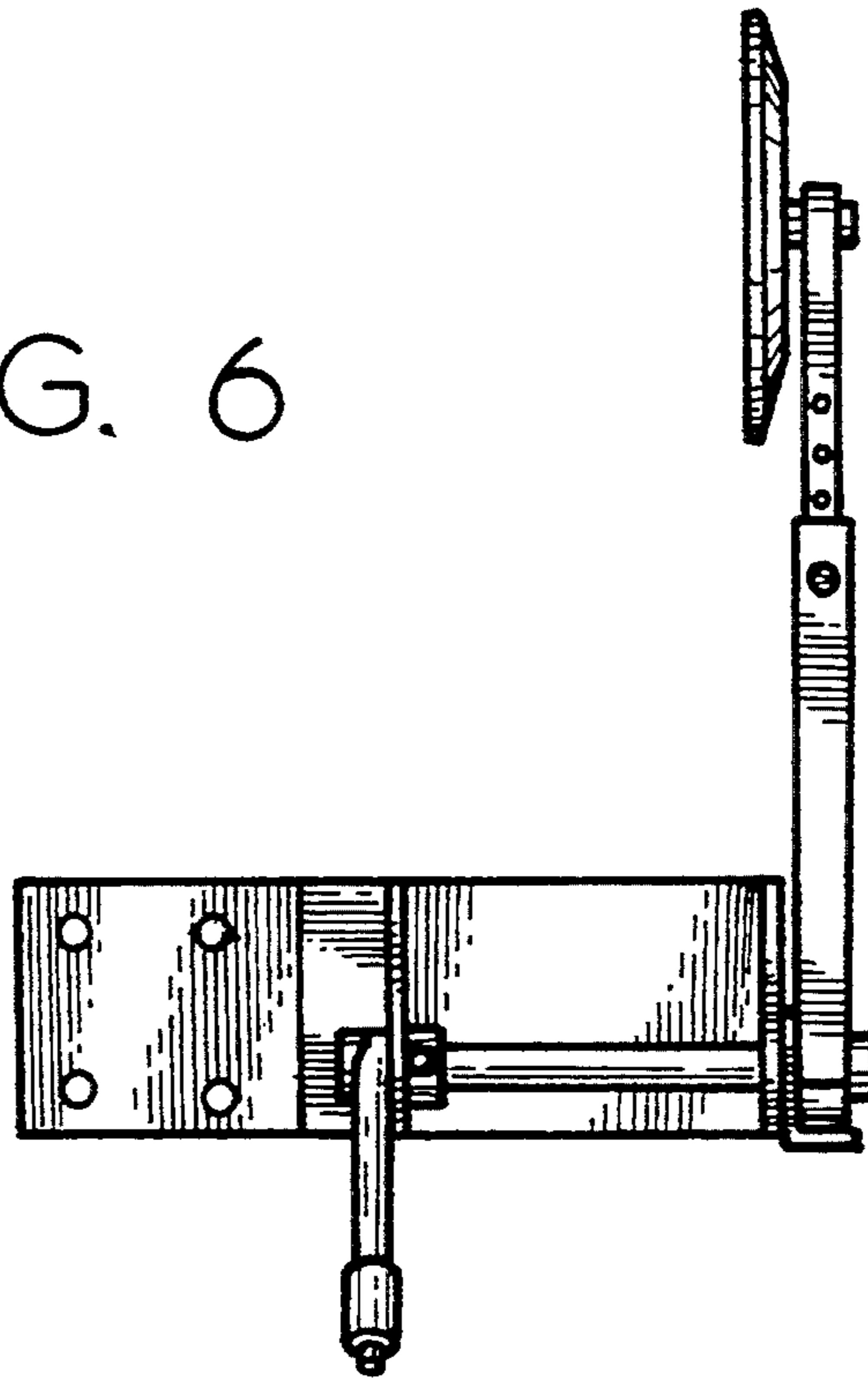


FIG. 7

