



US00D360636S

United States Patent [19]

[11] Patent Number: **Des. 360,636**

Sasago et al.

[45] Date of Patent: **** Jul. 25, 1995**

[54] **SPEAKER BOX**

[75] Inventors: **Osamu Sasago, Chiba; Haruo Ohba,**
Tokyo, both of Japan

[73] Assignee: **Sony Corporation, Tokyo, Japan**

[**] Term: **14 Years**

[21] Appl. No.: **23,277**

[22] Filed: **May 20, 1994**

[52] U.S. Cl. **D14/214**

[58] Field of Search **D14/204, 207, 209-214,**
D14/219-221; 181/144-145, 147-148, 157,
198-199; 381/24, 88, 90, 159, 186

[56] **References Cited**

U.S. PATENT DOCUMENTS

- D. 277,277 1/1985 Matsuda D14/214
- D. 281,597 12/1985 Matsushima D14/214
- D. 343,676 1/1994 Lim D14/214 X

- D. 348,267 6/1994 Yurkonis et al. D14/214
- 3,194,340 7/1965 Kuw083606376 D14/215 X
- 4,207,963 6/1980 Klasco 181/147

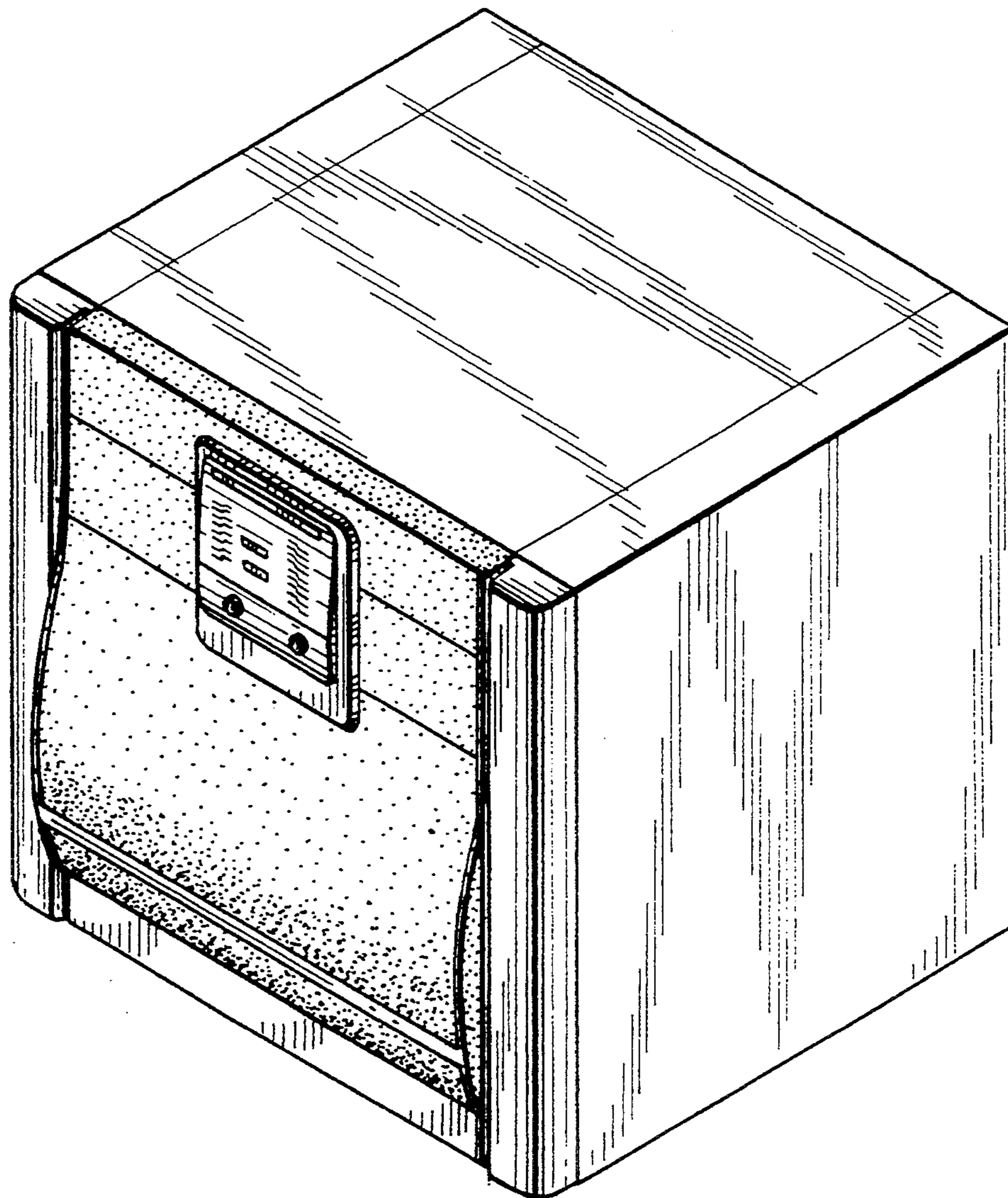
Primary Examiner—Terry A. Wallace
Assistant Examiner—Nanda Bondade
Attorney, Agent, or Firm—Jay H. Maioli

[57] CLAIM

The ornamental design for a speaker box, as shown and described.

DESCRIPTION

FIG. 1 is a top, front and right-side perspective view of a speaker box, showing our new design; FIG. 2 is a front elevational view thereof; FIG. 3 is a rear elevational view thereof; FIG. 4 is a left-side elevational view thereof; FIG. 5 is a right-side elevational view thereof; FIG. 6 is a top plan view thereof; and, FIG. 7 is a bottom plan view thereof.



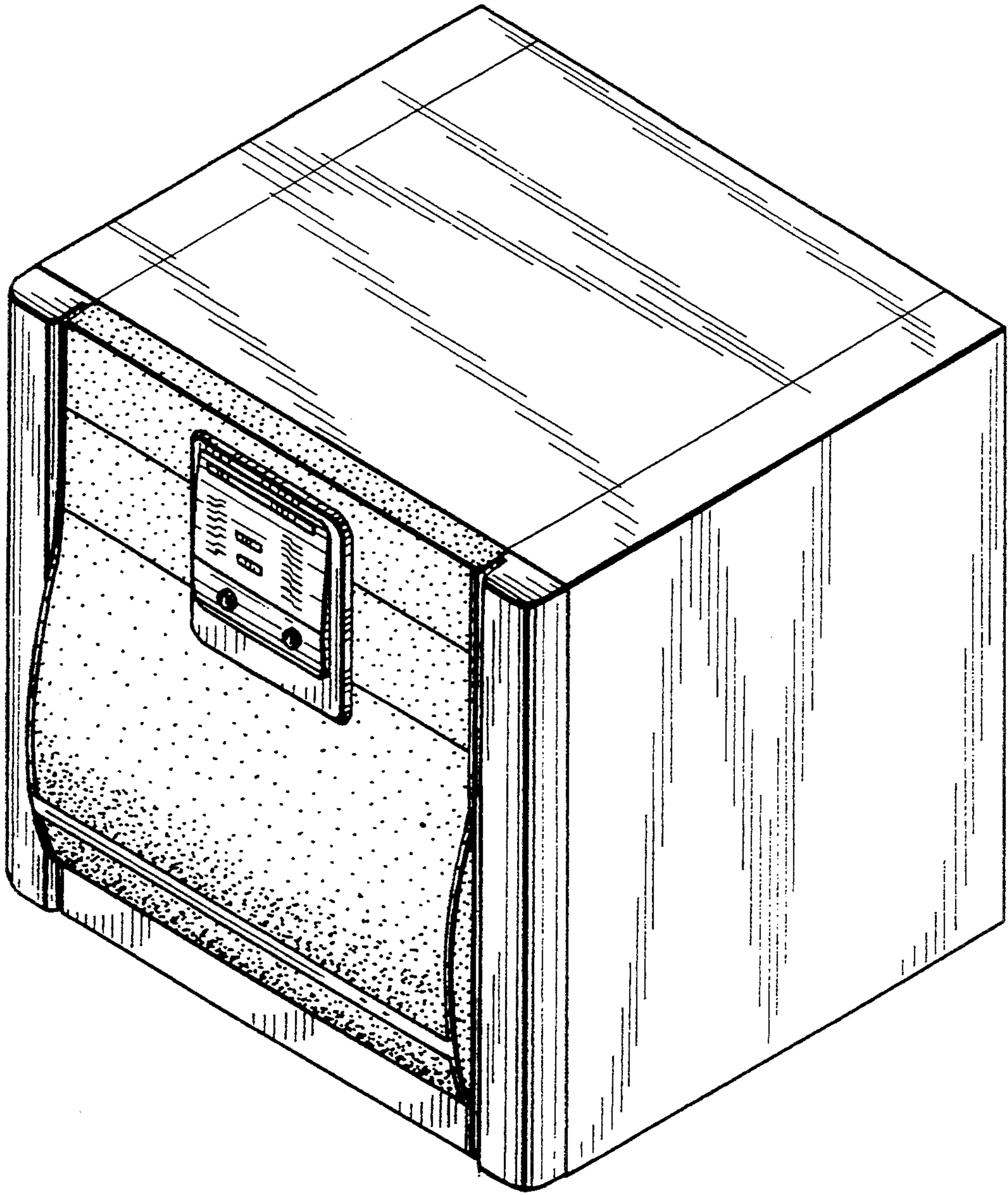


FIG. 1

FIG. 2

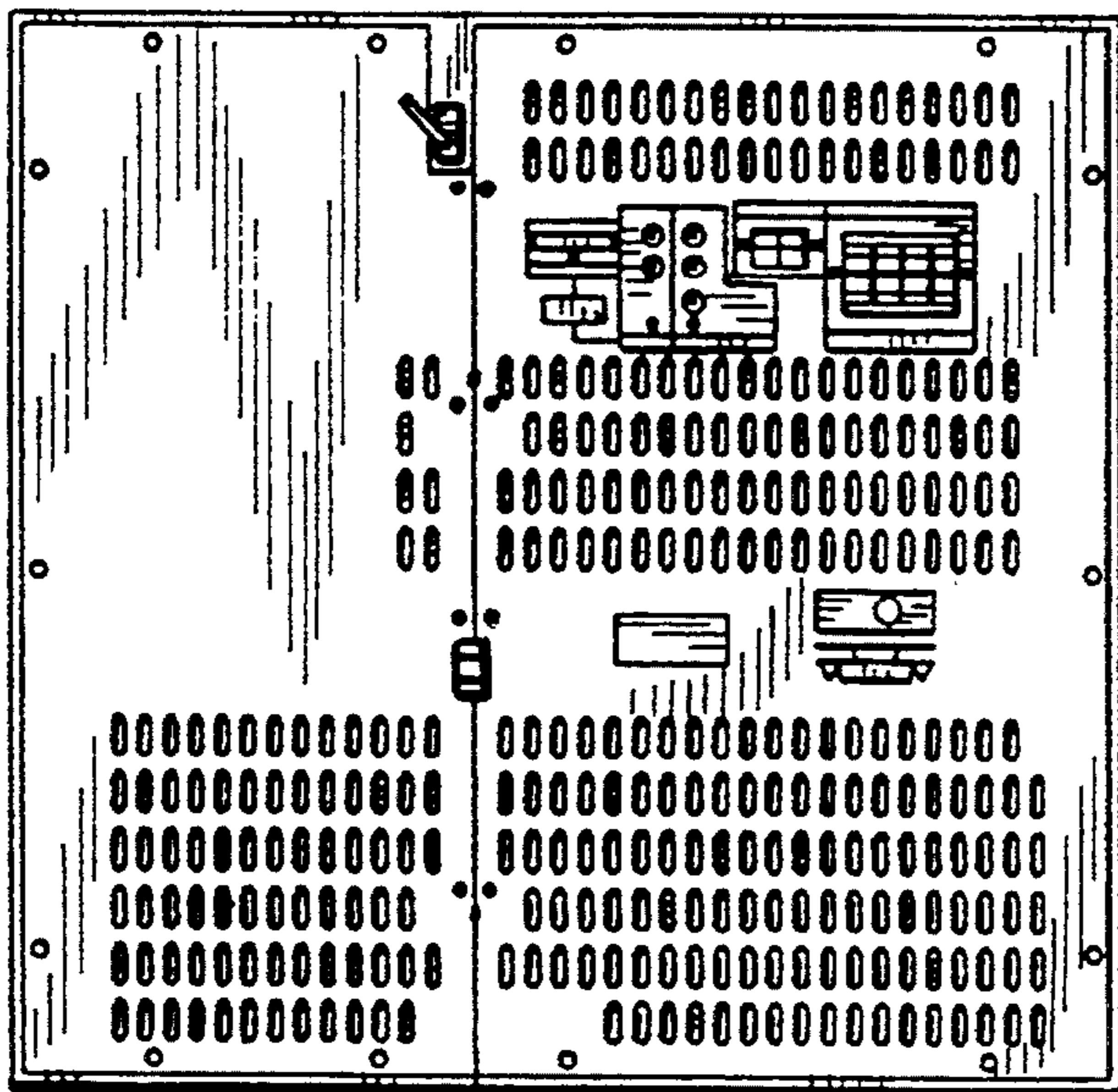
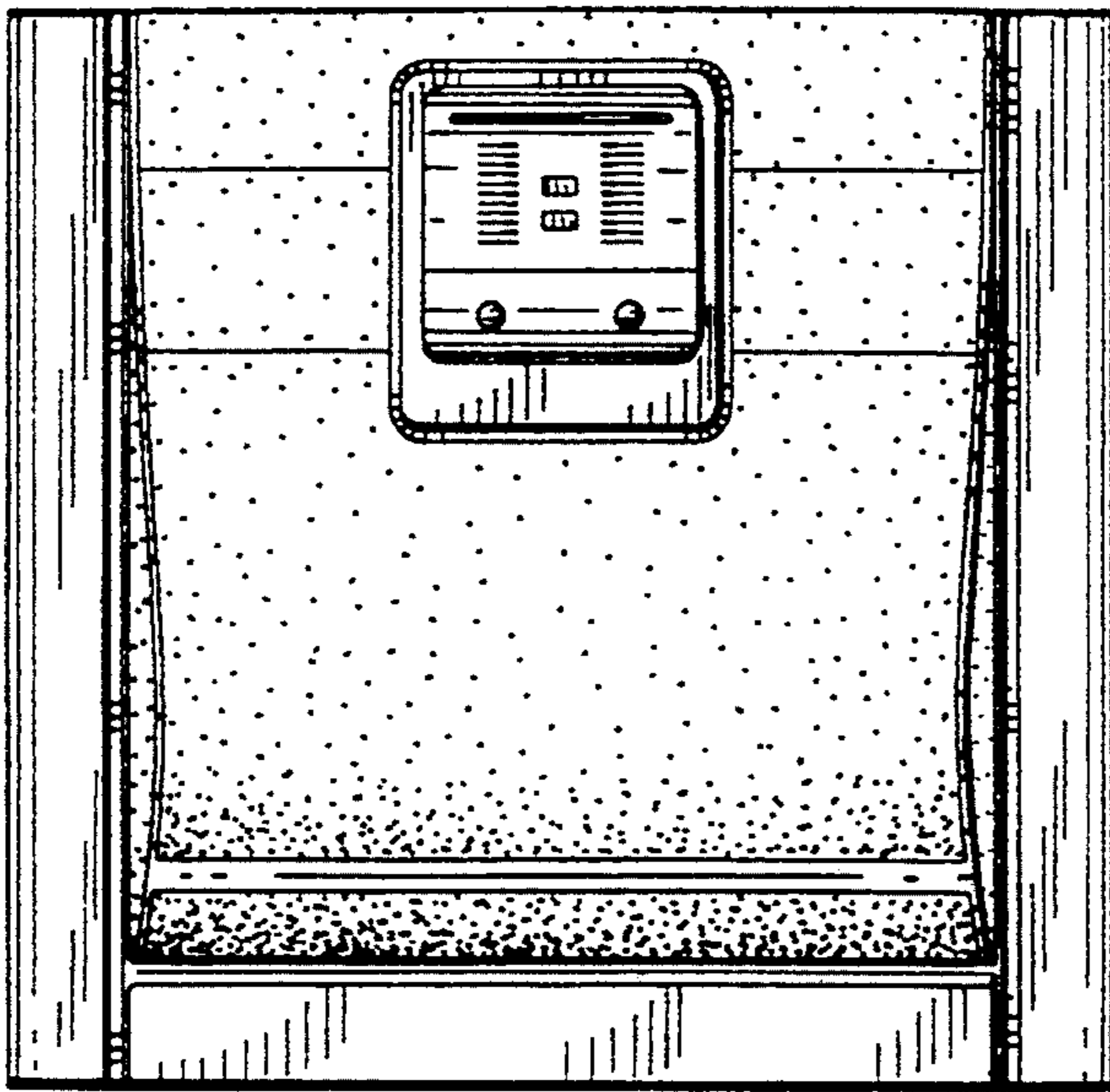


FIG. 3

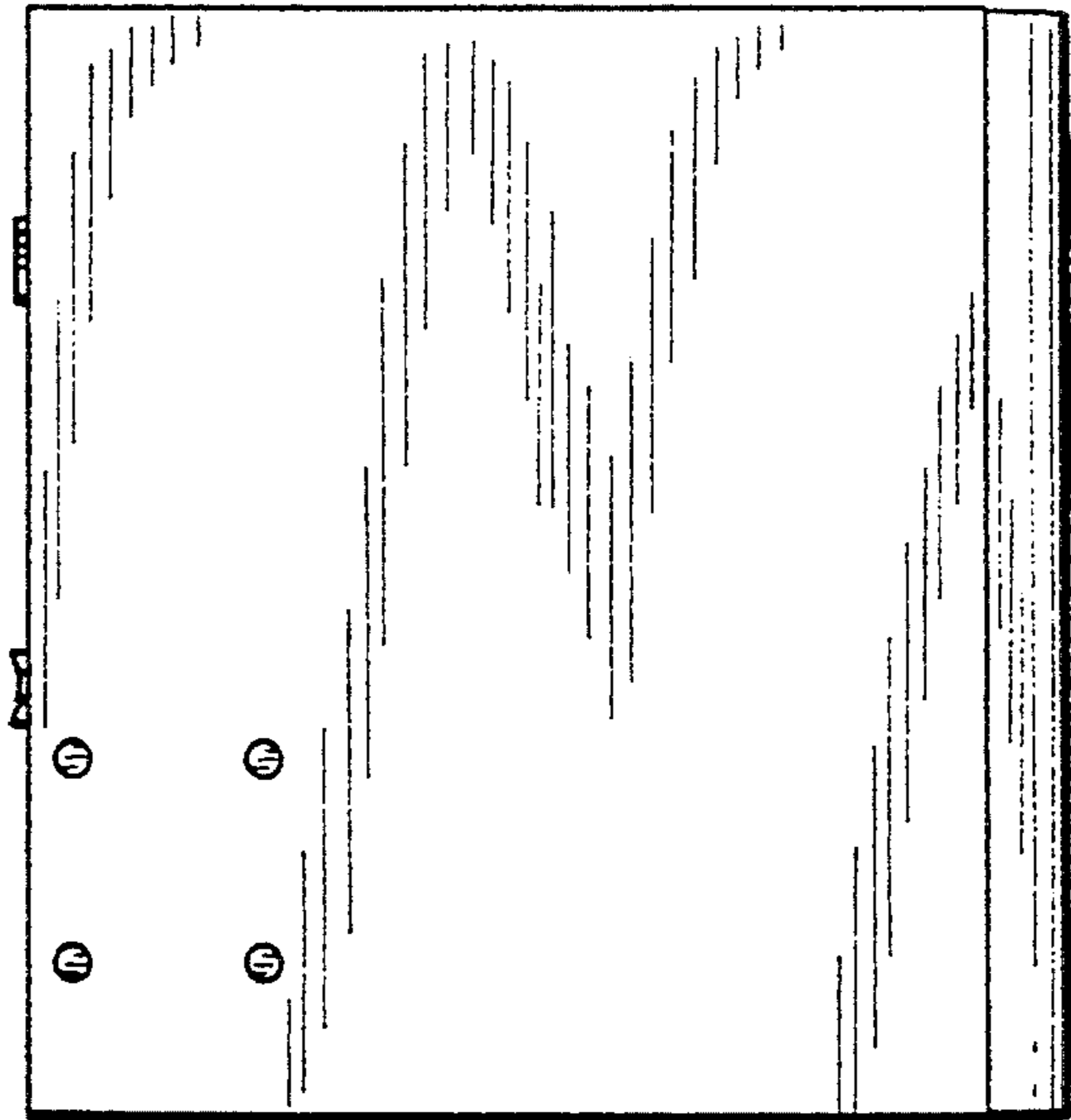


FIG. 4

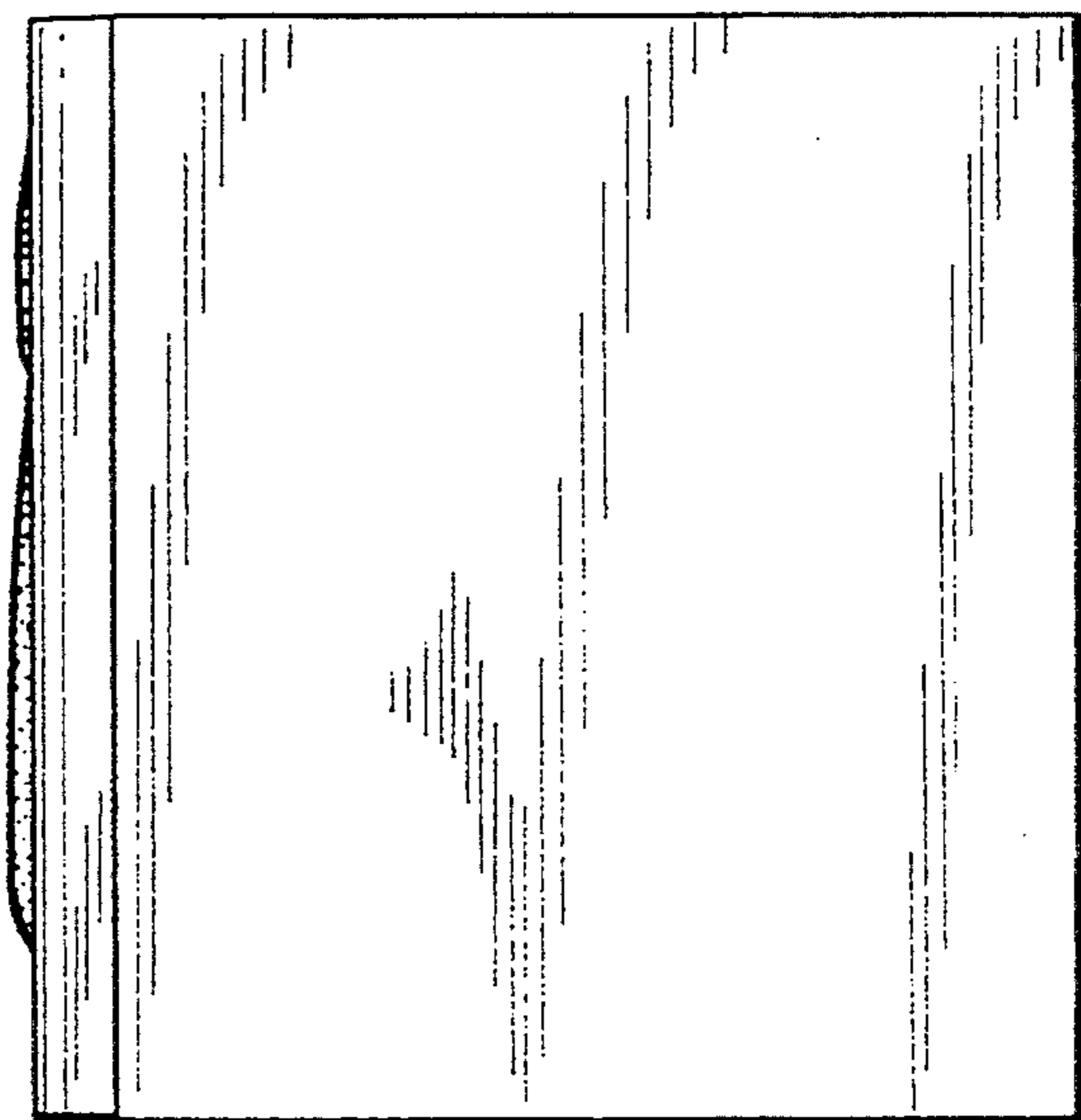


FIG. 5

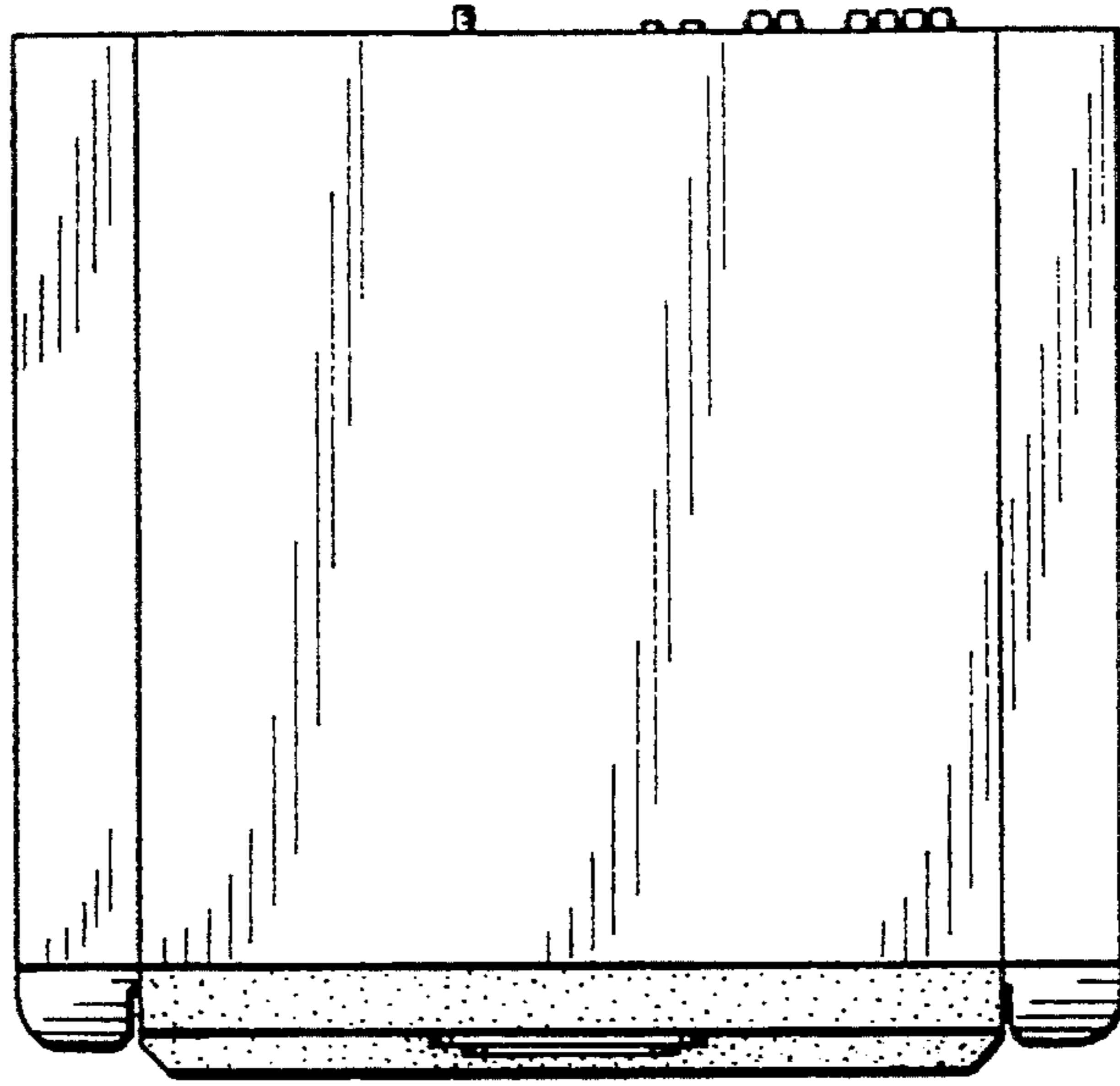


FIG. 6

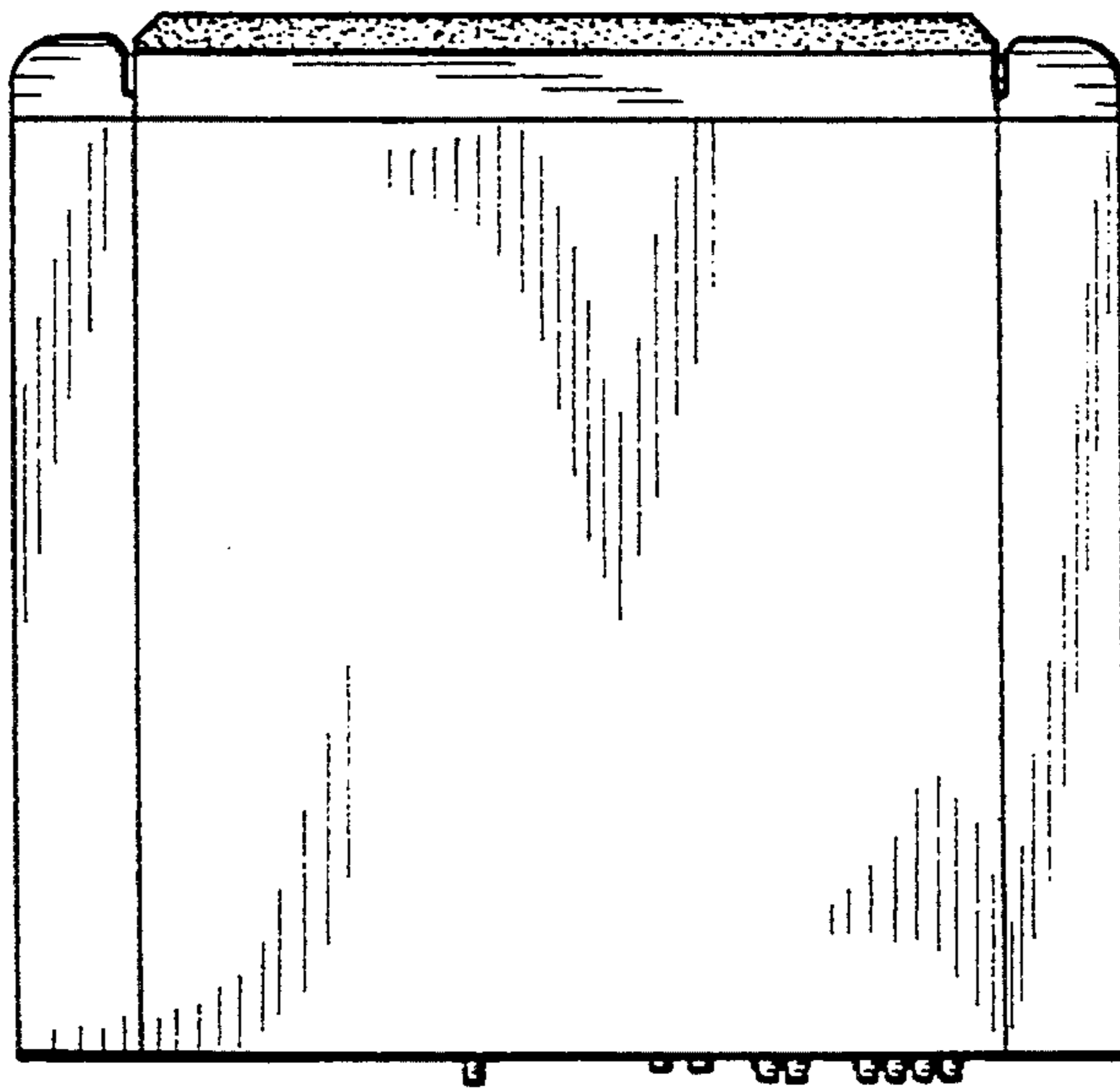


FIG. 7