



US00D360631S

# United States Patent [19]

[11] Patent Number: **Des. 360,631**

Uskali et al.

[45] Date of Patent: **\*\* Jul. 25, 1995**

[54] **RADIO PROGRAMMING MEMORY UNIT WITH STORAGE CAPABILITY**

*Primary Examiner*—Terry A. Wallace  
*Attorney, Agent, or Firm*—Donald B. Southard

[75] Inventors: **Robert G. Uskali**, Hoffman Estates, Ill.; **David M. Meyers**, Margate, Fla.

[57] **CLAIM**

The ornamental design for a radio programming memory unit with storage capability, as shown and described.

[73] Assignee: **Motorola, Inc.**, Schaumburg, Ill.

[\*\*] Term: **14 Years**

**DESCRIPTION**

[21] Appl. No.: **4,159**

FIG. 1 is a top front and right side perspective view of a radio programming memory unit with storage capability showing our new design;

[22] Filed: **Jan. 28, 1993**

[52] U.S. Cl. .... **D14/137; D14/242**

FIG. 2 is a left side elevational view thereof;

[58] Field of Search ..... **D14/107, 137, 242, 299; 455/73, 89, 90; 379/419, 420, 428, 440, 441**

FIG. 3 is a rear view elevational view thereof; and,

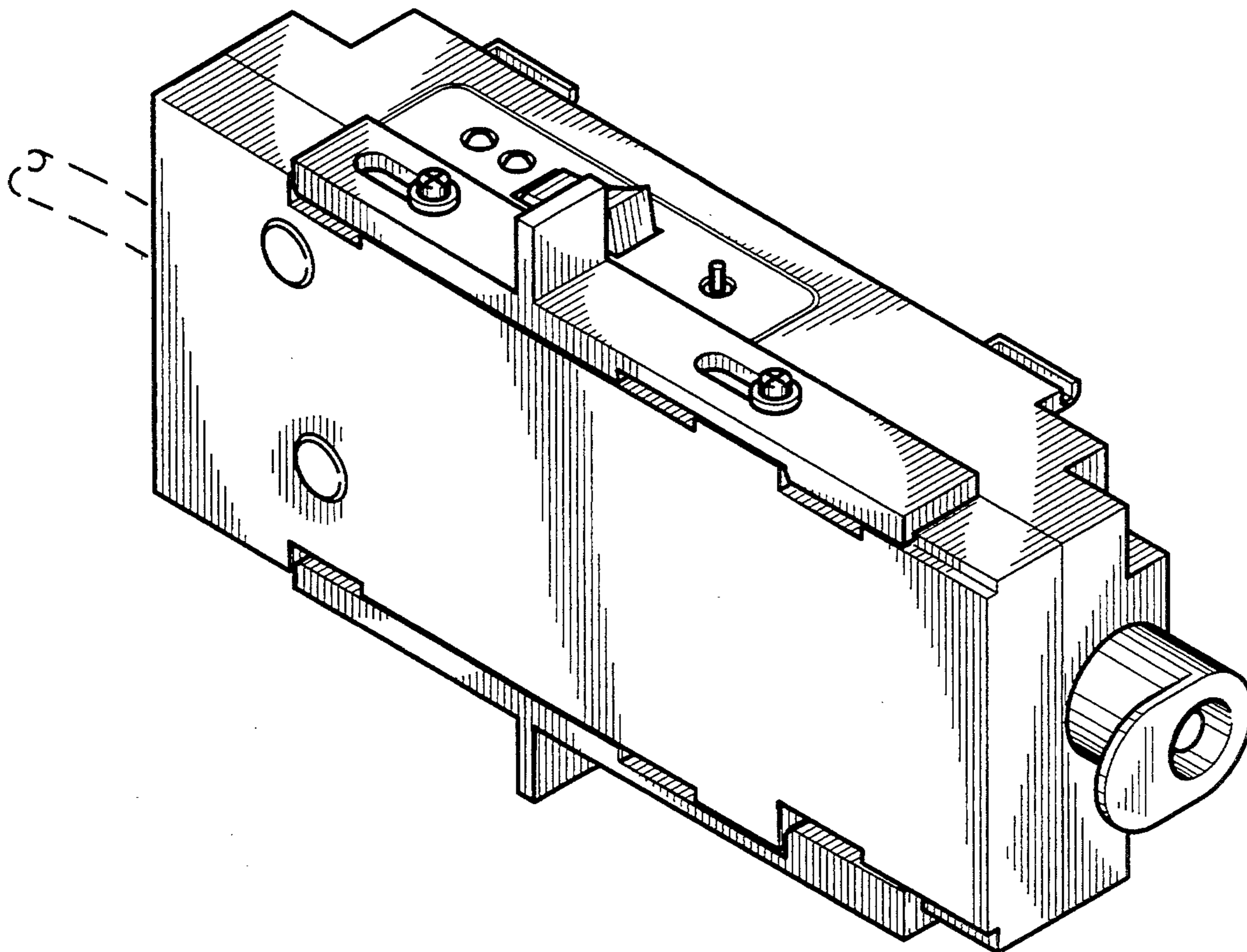
[56] **References Cited**

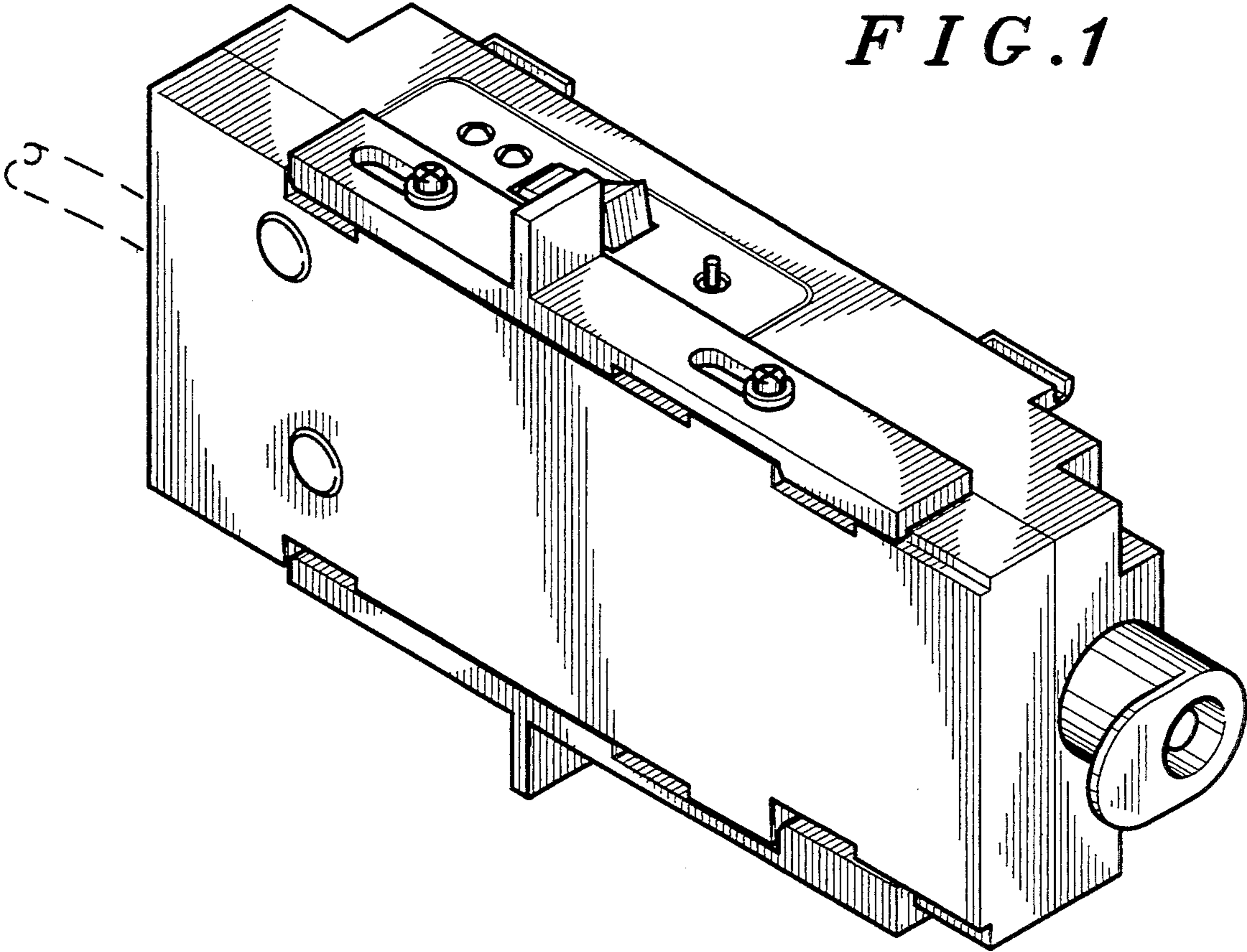
**U.S. PATENT DOCUMENTS**

FIG. 4 is a bottom plan view thereof.

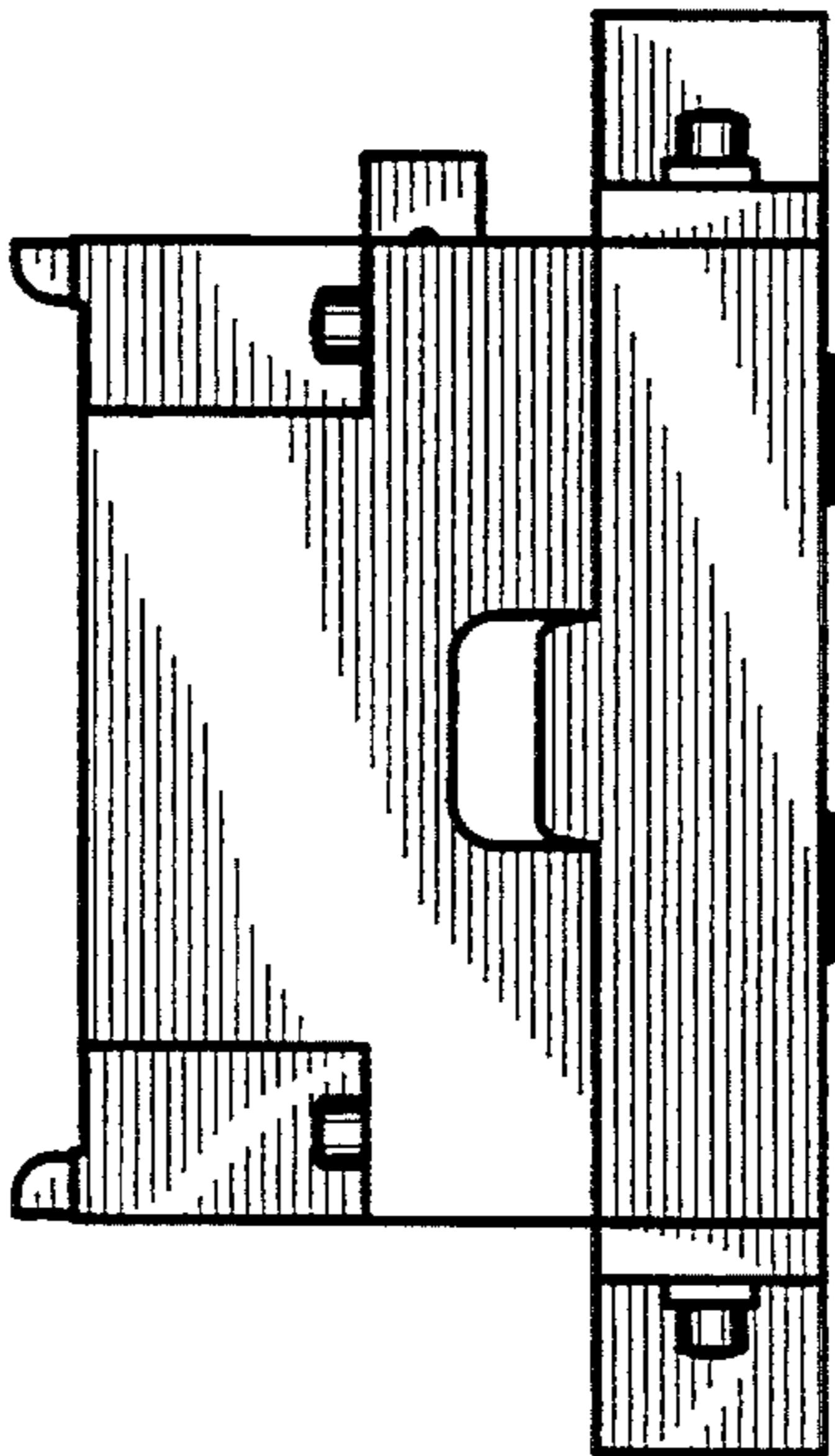
The broken lines showing the cord in FIG. 1 are for illustrative purposes only and form no part of the claimed design.

D. 352,040 11/1994 Rak et al. .... D14/107



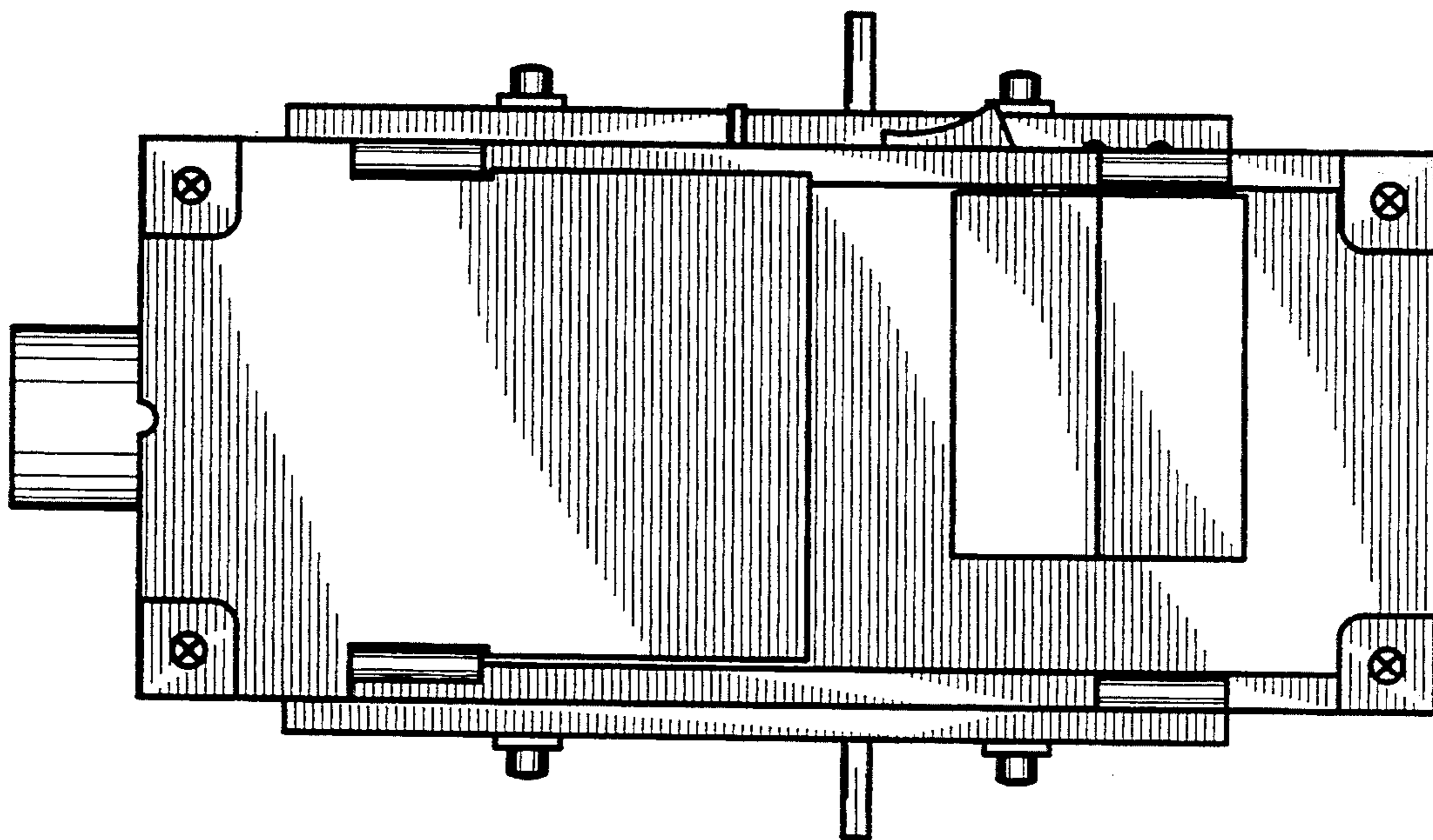


*FIG. 1*



*FIG. 2*

*FIG. 3*



*FIG. 4*

