



US00D360630S

United States Patent [19]

[11] Patent Number: **Des. 360,630**

Franz

[45] Date of Patent: **** Jul. 25, 1995**

[54] **KEYCAP ASSEMBLY WITH POINTING STICK FOR A COMPUTER KEYBOARD**

[75] Inventor: **Patrick J. Franz**, Portland, Oreg.

[73] Assignee: **Home Row, Inc.**, Clackamas, Oreg.

[**] Term: **14 Years**

[21] Appl. No.: **30,307**

[22] Filed: **Oct. 26, 1994**

Related U.S. Application Data

[62] Division of Ser. No. 11,676, Aug. 9, 1993.

[52] U.S. Cl. **D14/115**; D14/114

[58] **Field of Search** D14/100, 101, 106, 107, D14/115, 114; D18/1, 2, 7, 11, 12; 235/145 A, 145 R; 200/5 A, 5 R, 6 A, 6 R; 341/22, 23; 345/167, 168, 160, 161; 364/708.1; 400/472, 479, 484-486, 488, 489, 682; 361/683

[56] References Cited

U.S. PATENT DOCUMENTS

D. 340,696	10/1993	Barrett	D14/107 X
4,896,003	1/1990	Hsieh	200/5 A X
5,294,121	3/1994	Chiang	200/5 A X
5,343,219	8/1994	DuBosque, Jr.	200/6 A X

OTHER PUBLICATIONS

IBM Technical Disclosure Bulletin vol. 22 No. 7 Dec. 1979 pp. 2663-2664 *Dual-Function Key For Upper and Lower Print Control*.

IBM Technical Disclosure Bulletin vol. 33 No. 9 Feb. 1991 pp. 428-430 *Enlarged Cursor Key With Trackball*.
Toshiba 1993 T3400CT Computer.

Primary Examiner—Freda S. Nunn
Attorney, Agent, or Firm—Marger, Johnson, McCollom & Stolowitz

[57] CLAIM

The ornamental design for a keycap assembly with pointing stick for a computer keyboard, as shown and described.

DESCRIPTION

FIG. 1 is a perspective view of the keycap assembly with extended corner integrated pointing stick according to my invention;

FIG. 2 is a front elevational view of the keycap assembly of FIG. 1;

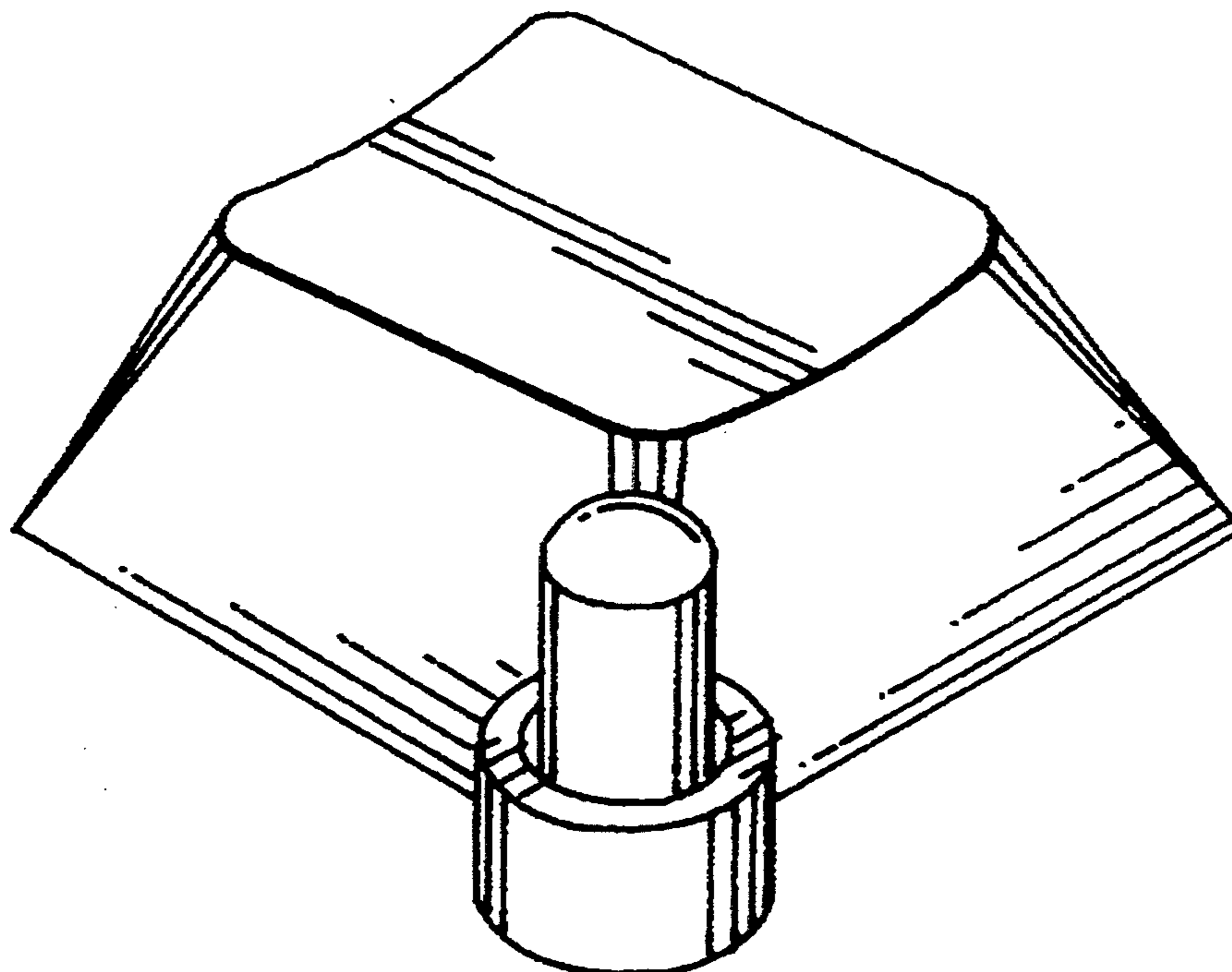
FIG. 3 is a left side view of the keycap assembly of FIG. 1;

FIG. 4 is a right side view of the keycap assembly of FIG. 1;

FIG. 5 is a rear elevational view of the keycap assembly of FIG. 1;

FIG. 6 is a top view of the keycap assembly of FIG. 1 shown disposed in a computer keyboard wherein the surrounding keys are shown in broken lines for illustrative purposes only and form no part of the claimed design; and,

FIG. 7 is a bottom view of the keycap assembly of FIG. 1.



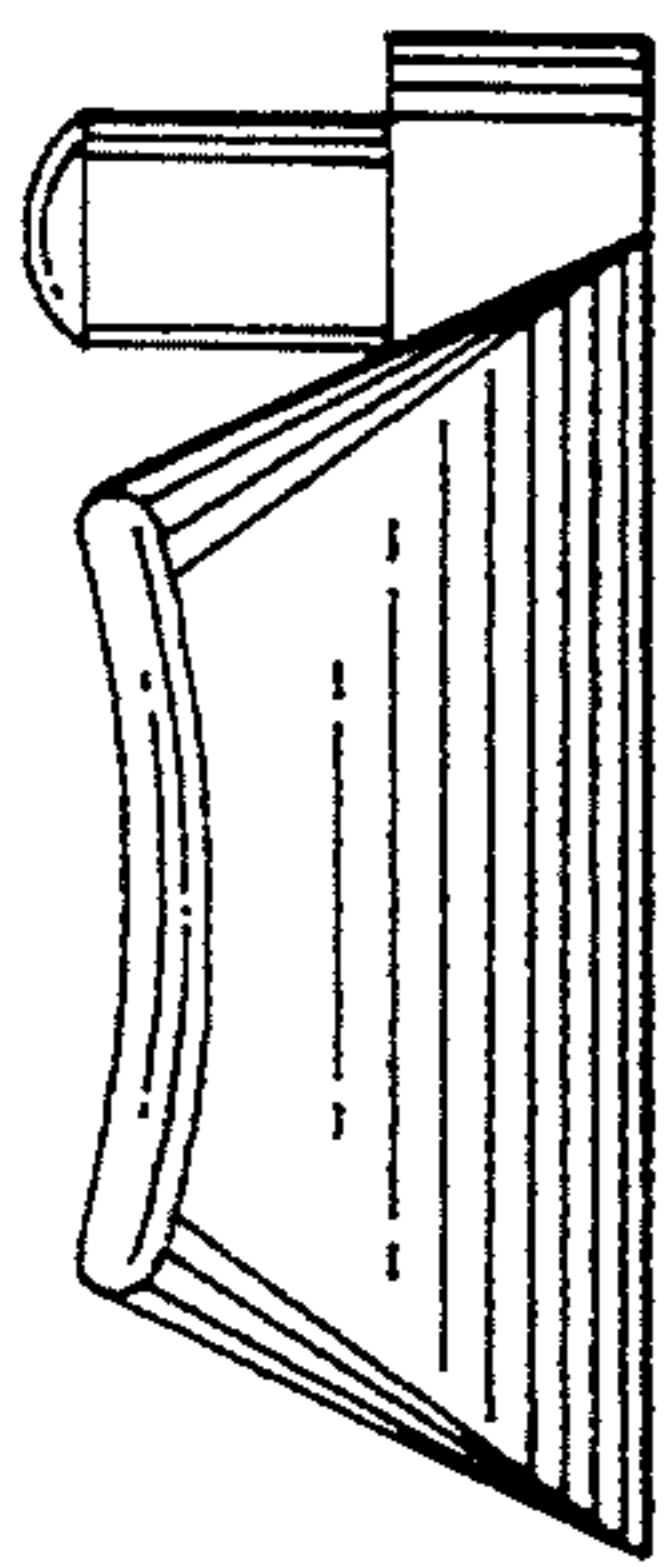


Fig. 5

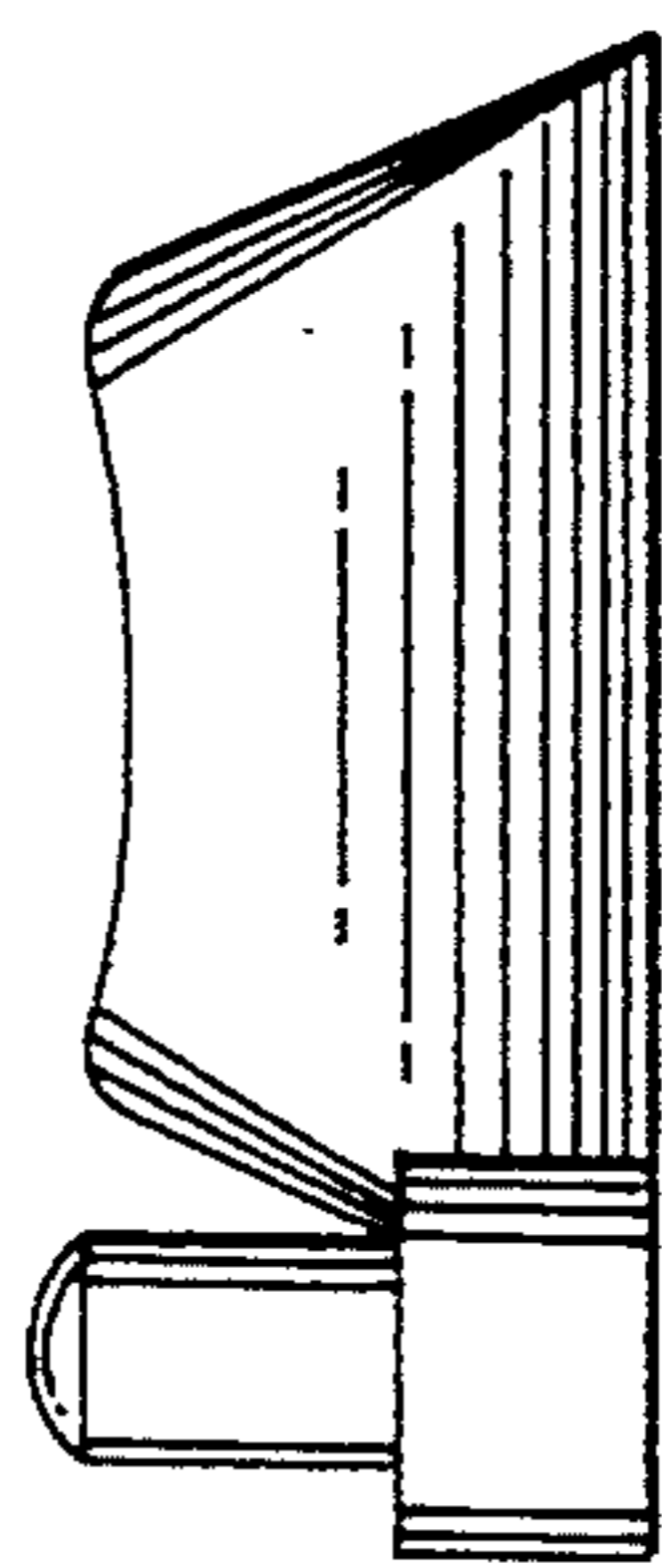


Fig. 3

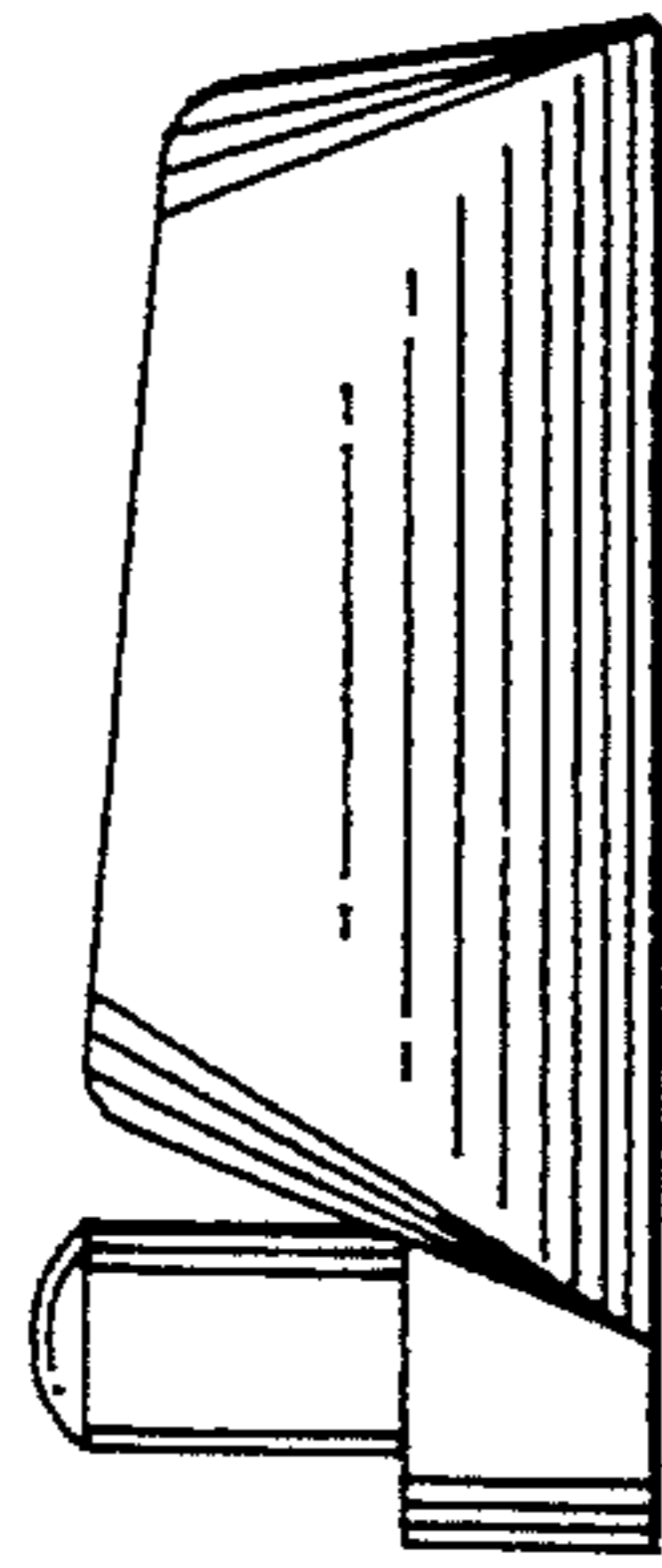


Fig. 4

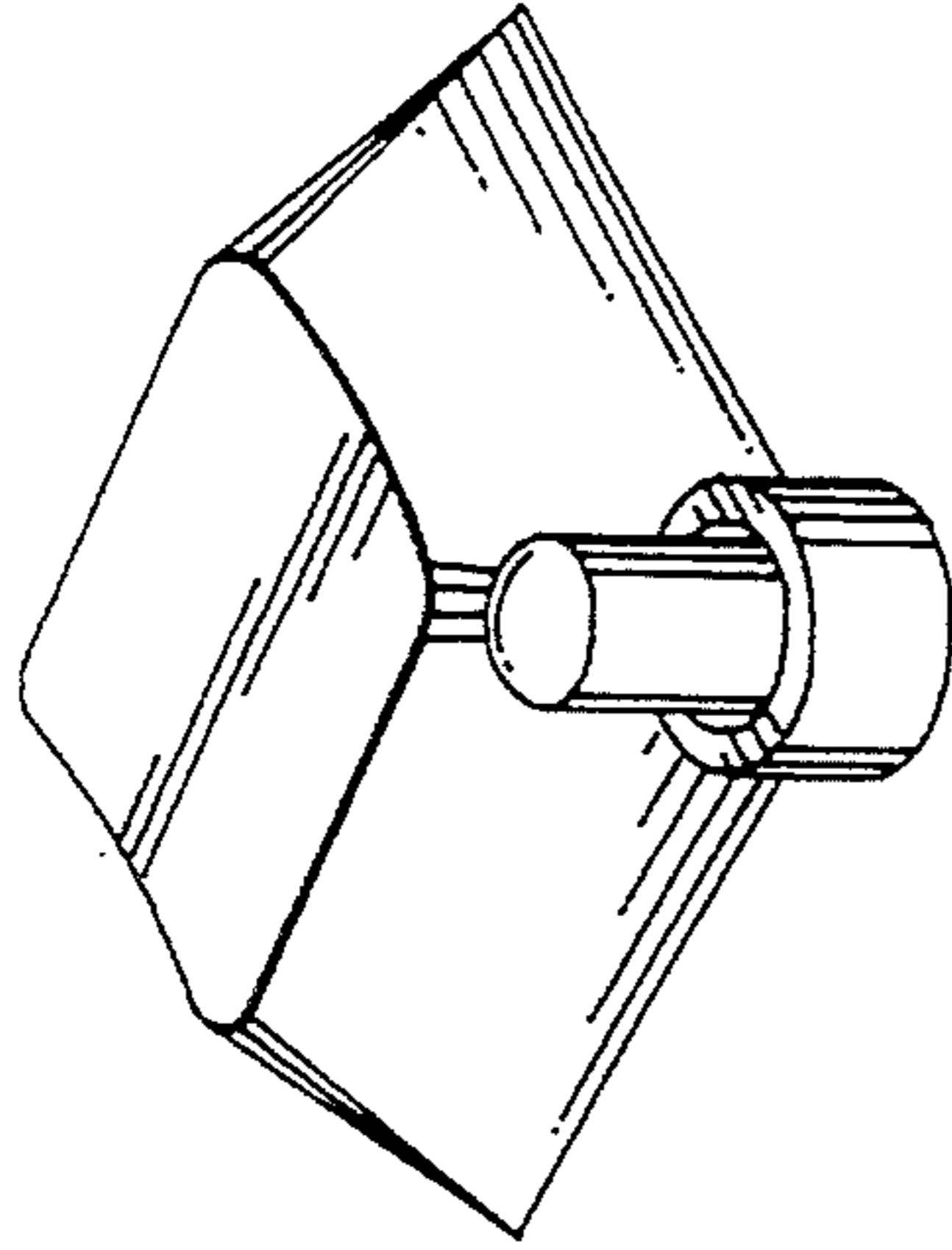


Fig. 1

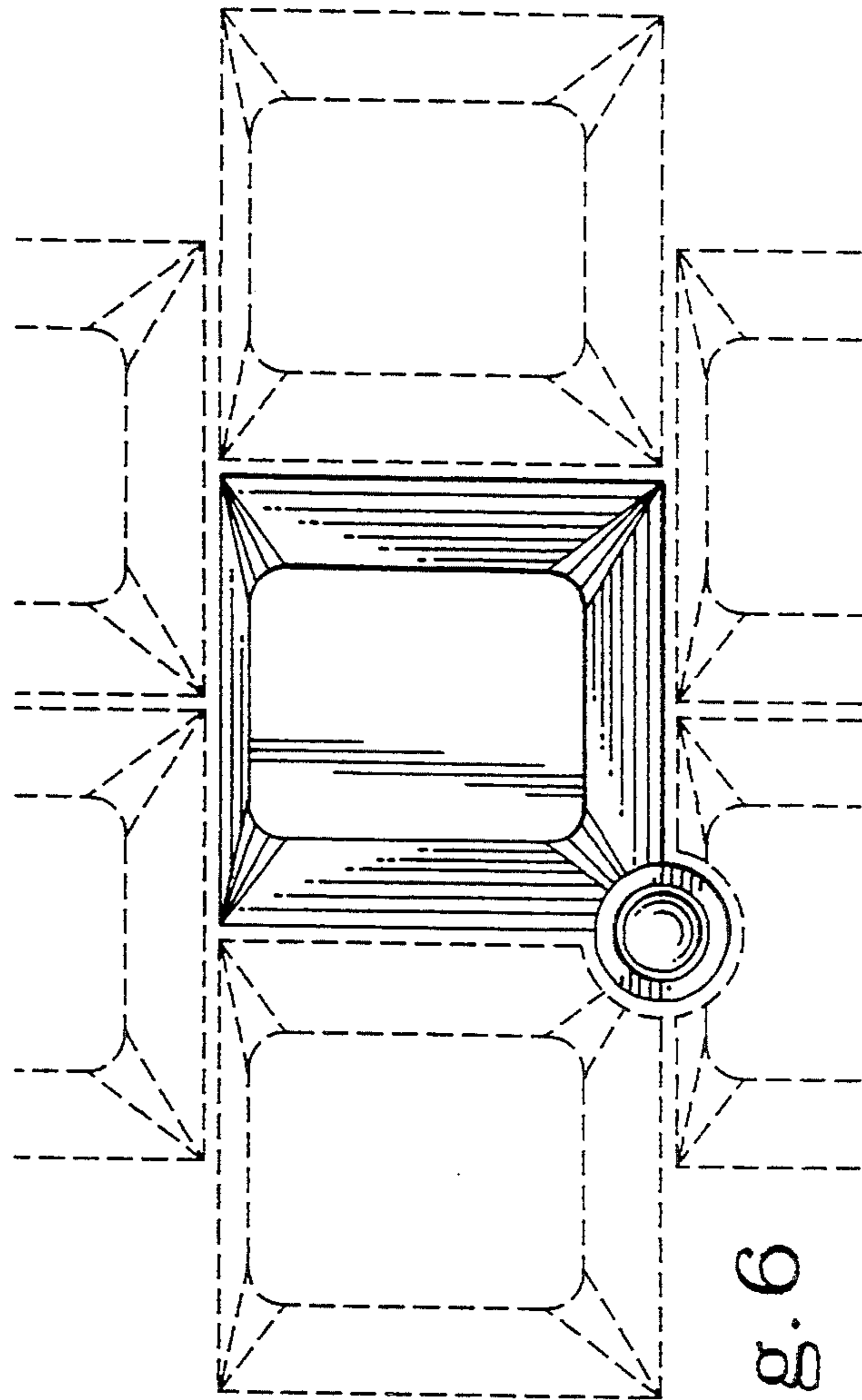


Fig. 6

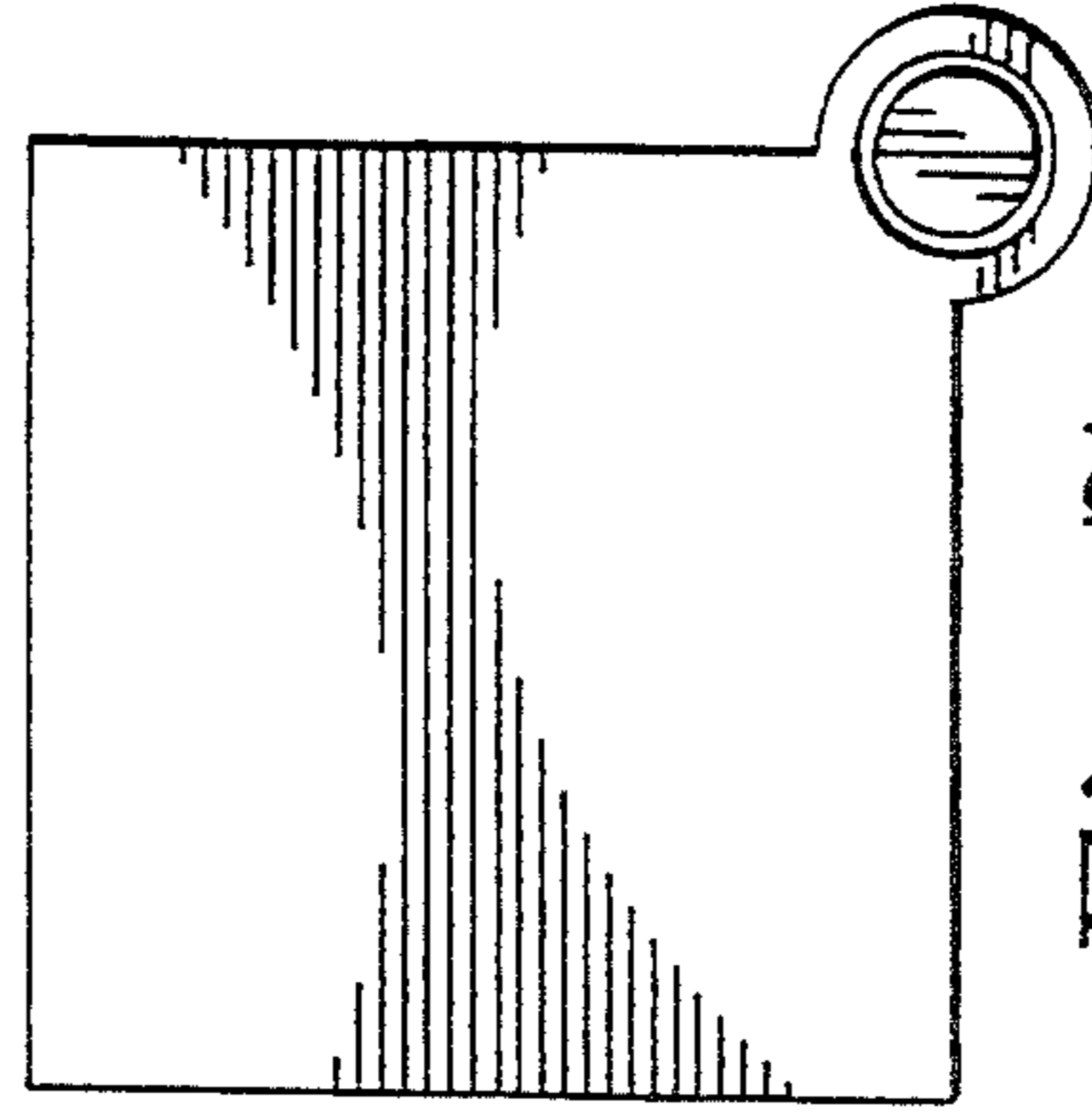


Fig. 7