



US00D360624S

# United States Patent [19] Masunari

[11] Patent Number: **Des. 360,624**

[45] Date of Patent: **\*\* Jul. 25, 1995**

[54] **MONITOR FOR A COMPUTER**

[75] Inventor: **Kazutoshi Masunari, Kanagawa, Japan**

[73] Assignee: **Matsushita Electric Industrial Co., Ltd., Osaka, Japan**

[\*] Notice: The portion of the term of this patent subsequent to Feb. 14, 2009 has been disclaimed.

[\*\*] Term: **14 Years**

[21] Appl. No.: **12,737**

[22] Filed: **Sep. 10, 1993**

[30] **Foreign Application Priority Data**

Mar. 12, 1993 [JP] Japan ..... 5-7227

[52] U.S. Cl. .... **D14/113**

[58] Field of Search ..... D14/100, 101, 106, 113, D14/124-127; 345/104, 133, 156, 168, 173, 87, 901-905; 358/249, 254, 255; 248/917-924

[56] **References Cited**

**U.S. PATENT DOCUMENTS**

D. 300,929	5/1989	Satherley .....	D14/113
D. 312,453	11/1990	Oh .....	D14/113
D. 314,952	2/1991	Orchard et al. ....	D14/113
D. 319,821	9/1991	Kawaguchi .....	D14/113
D. 335,493	5/1993	Soodong .....	D14/113
D. 335,872	5/1993	Kim .....	D14/113
D. 335,873	5/1993	Soodong .....	D14/113
D. 347,001	5/1994	Lee .....	D14/113

*Primary Examiner*—Freda S. Nunn  
*Attorney, Agent, or Firm*—Sughrue, Mion, Zinn, Macpeak & Seas

[57] **CLAIM**

The ornamental design for a monitor for a computer, as shown and described.

**DESCRIPTION**

FIG. 1 is a reduced front, top and right side perspective view of a monitor for a computer showing my new design;

FIG. 2 is a front elevational view thereof;

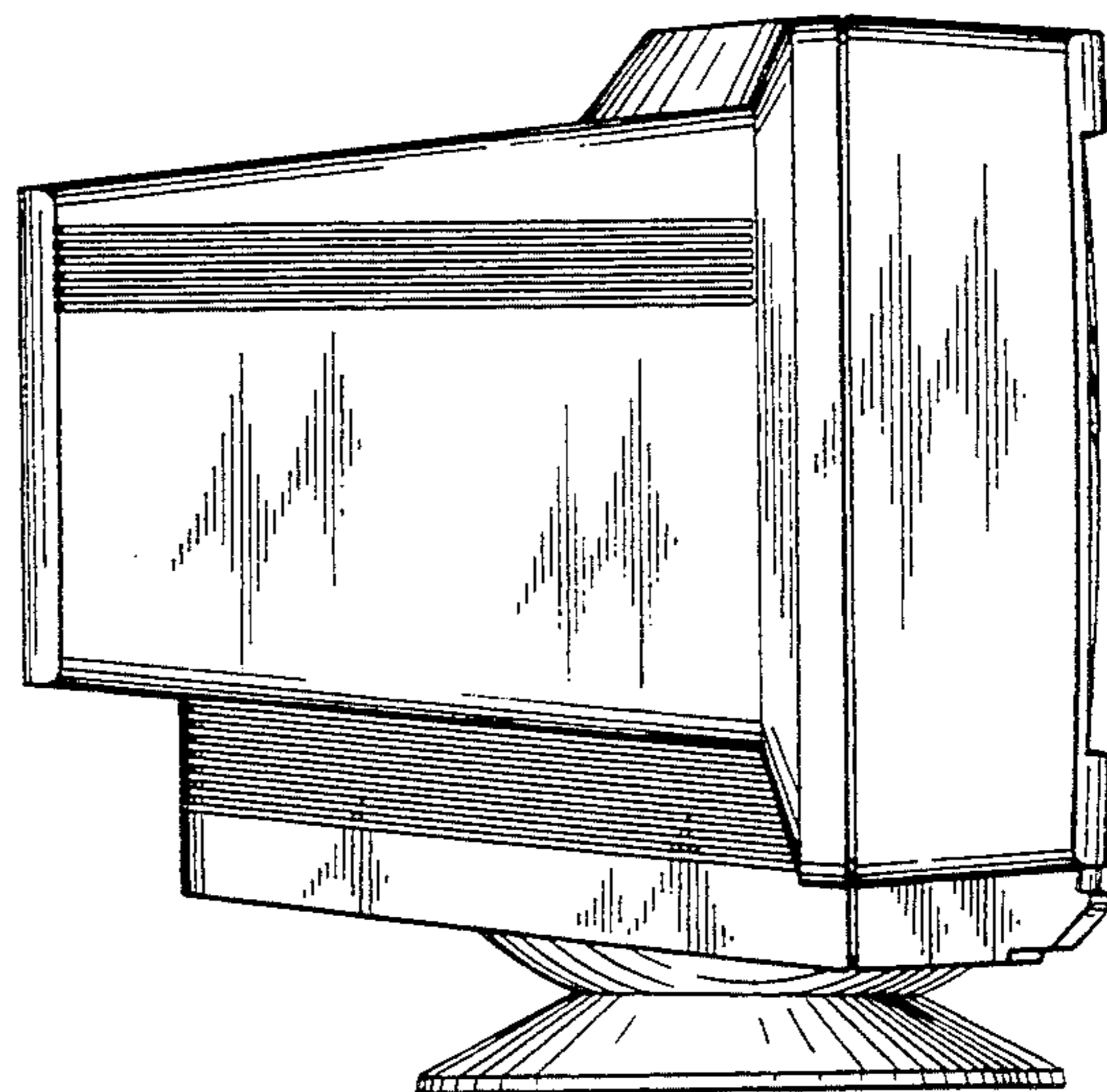
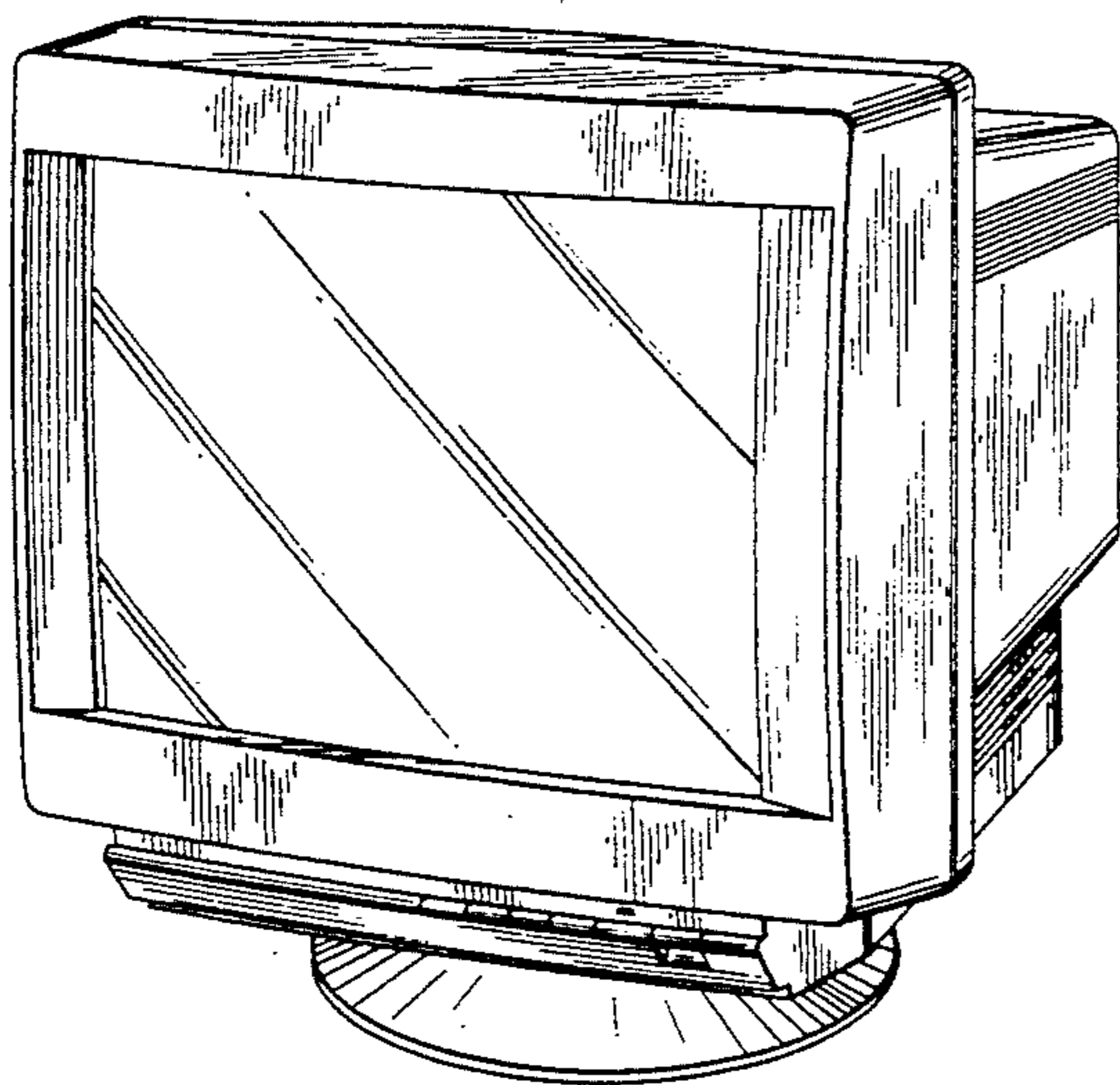
FIG. 3 is a right side elevational view thereof;

FIG. 4 is a left side elevational view thereof;

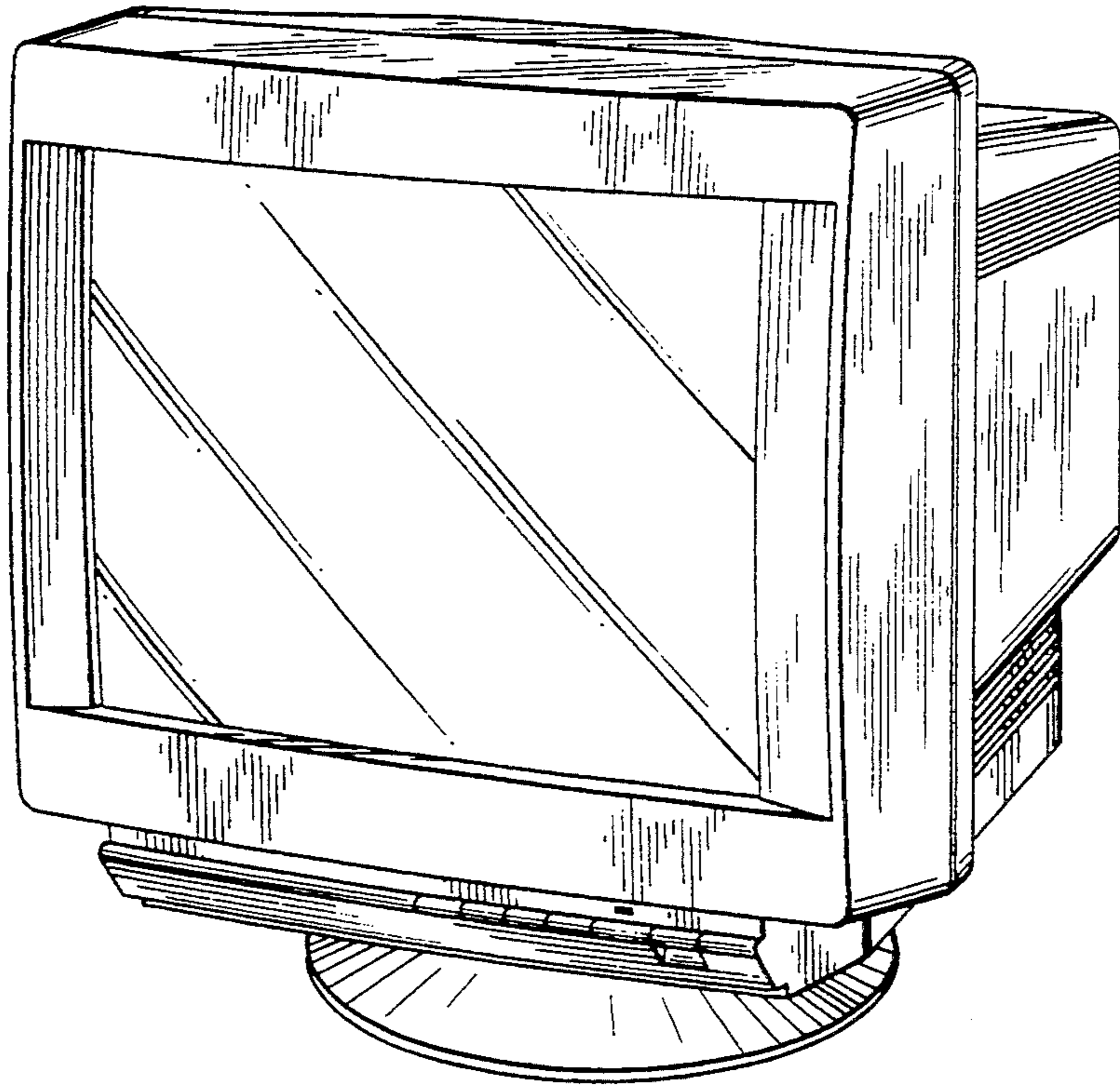
FIG. 5 is a top plan view thereof;

FIG. 6 is a rear elevational view thereof; and,

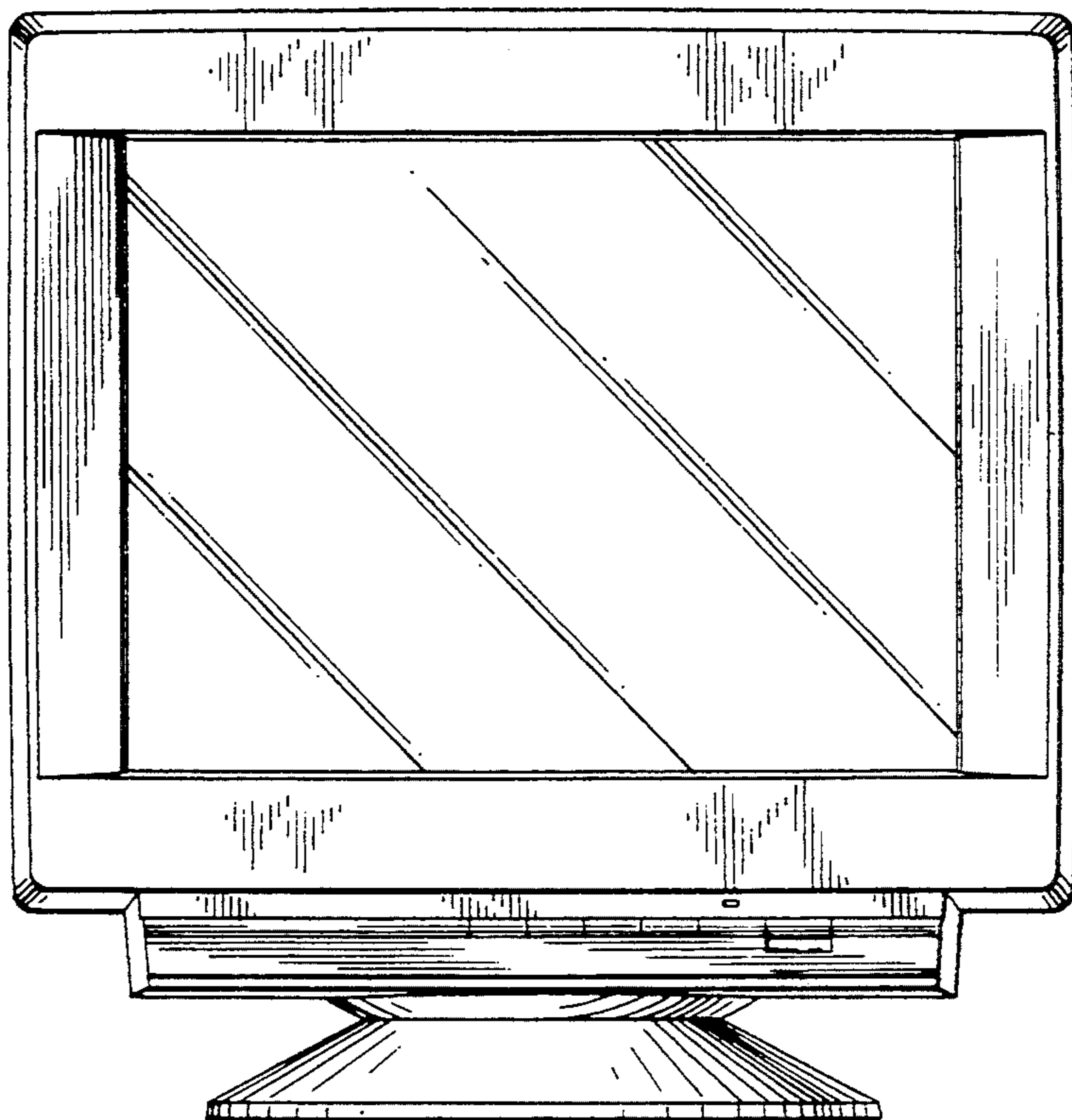
FIG. 7 is a bottom plan view thereof.



*FIG. 1*

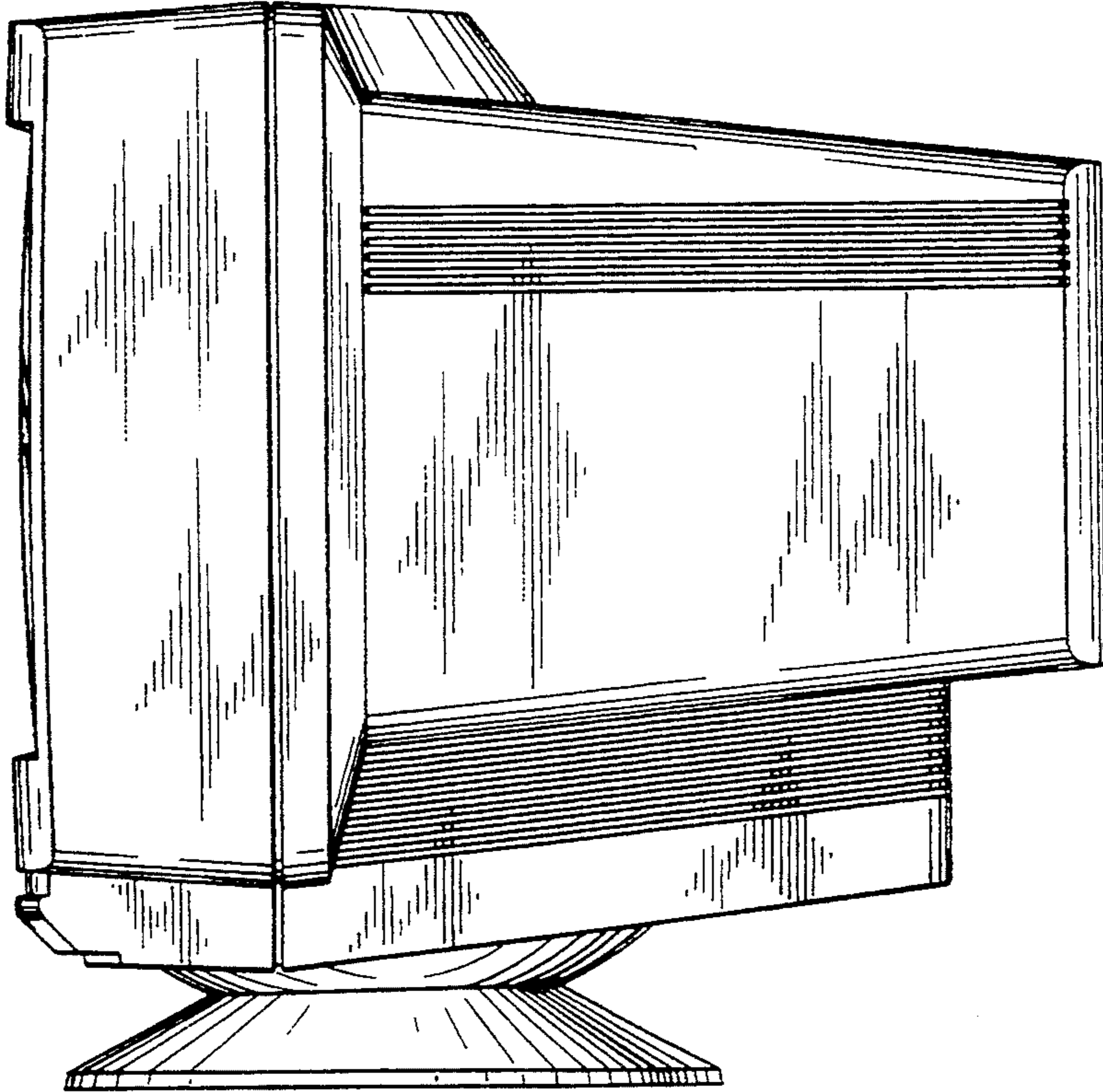


*FIG. 2*





*FIG. 3*



*FIG. 4*

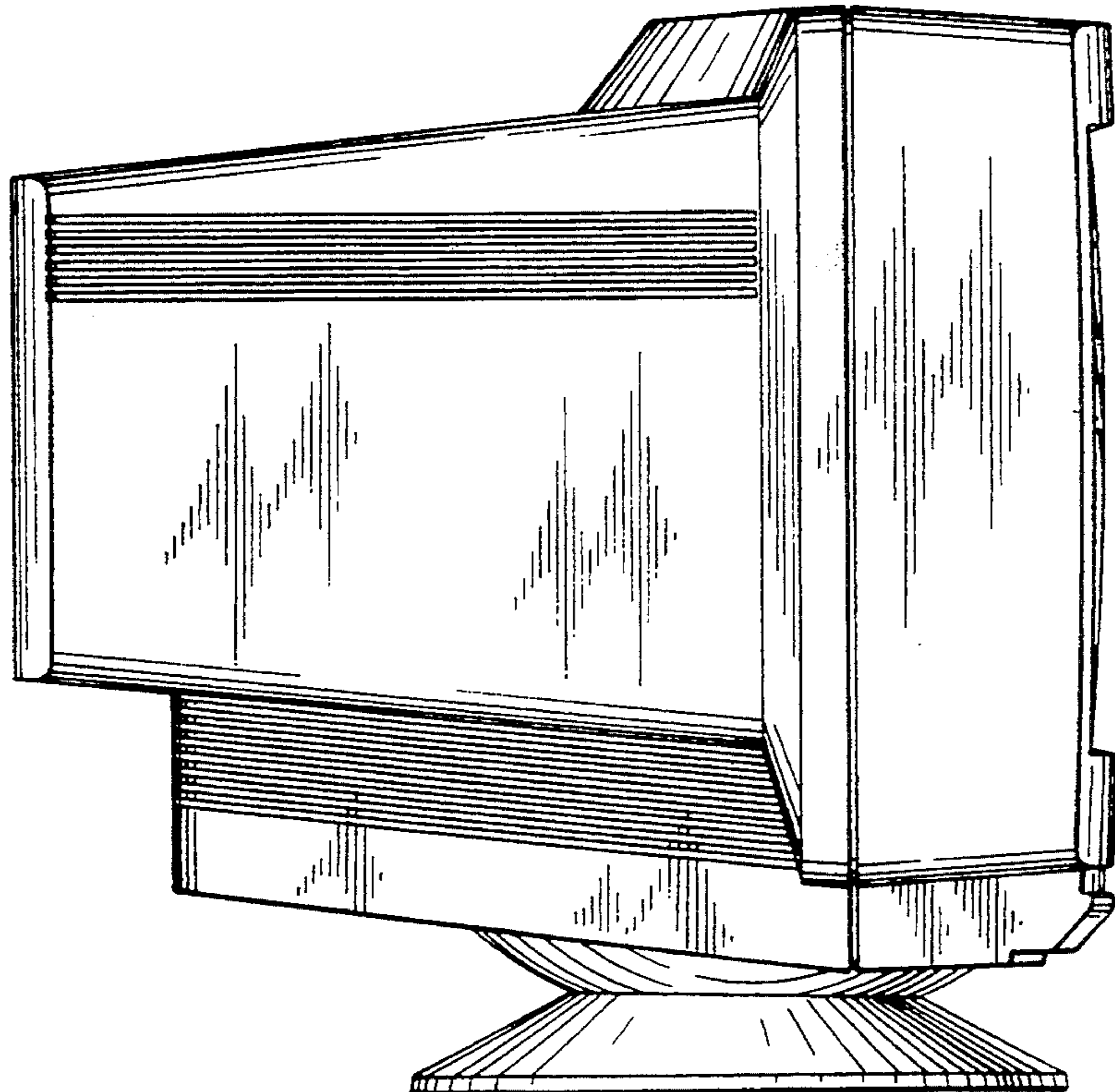


FIG. 5

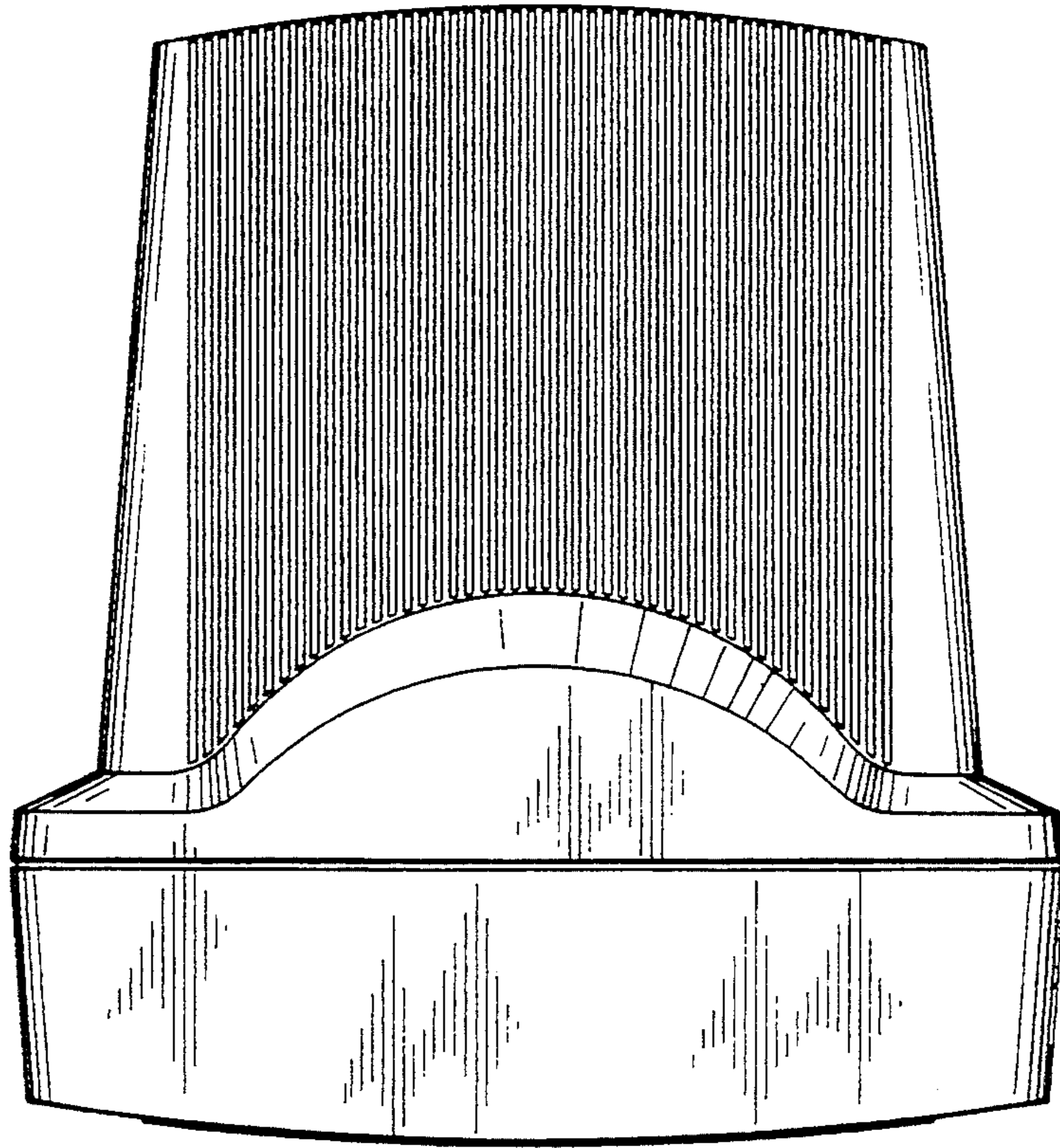
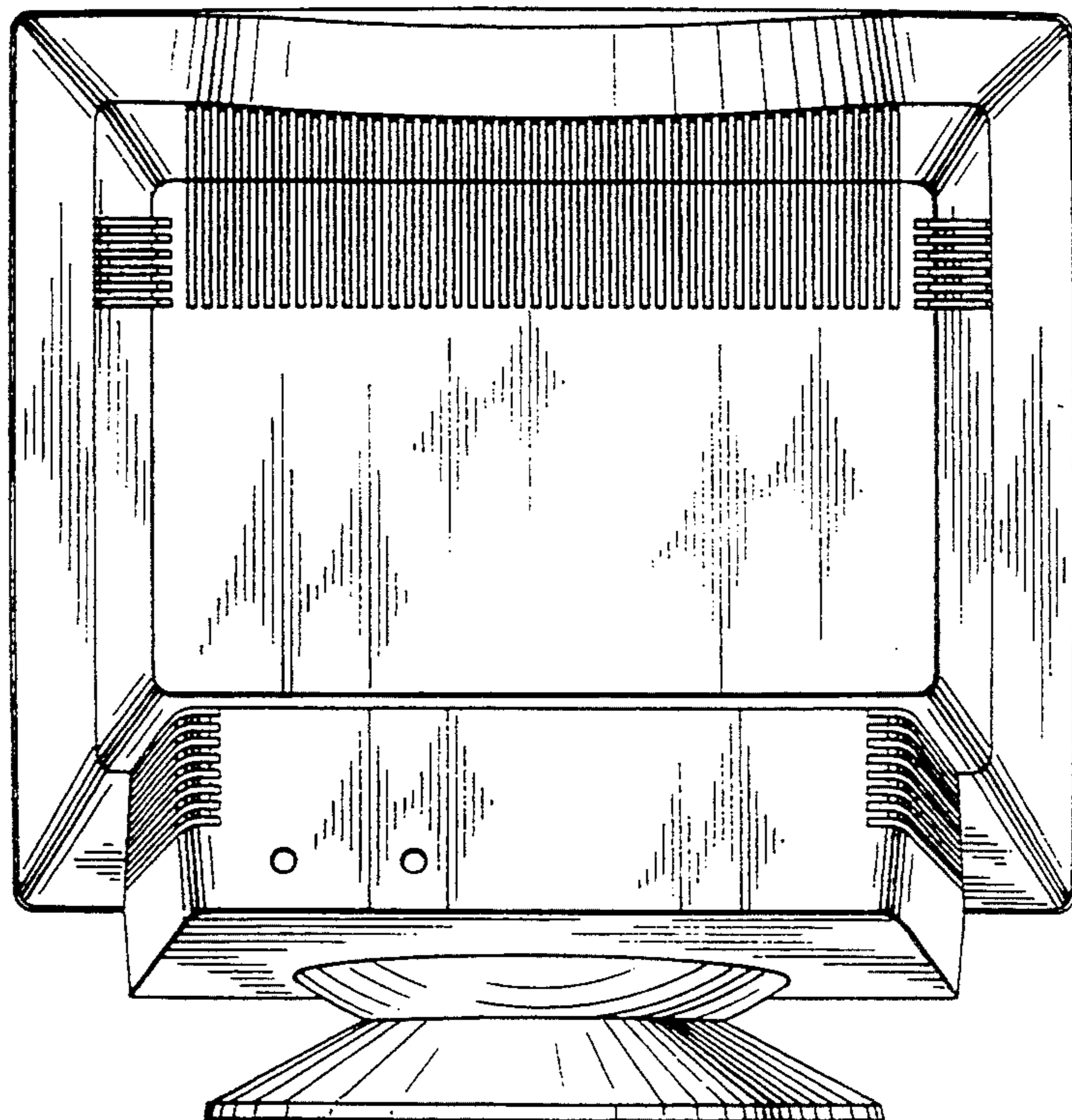


FIG. 6



*FIG. 7*

