



US00D360622S

United States Patent [19]

[11] Patent Number: **Des. 360,622**

Shin et al.

[45] Date of Patent: **** Jul. 25, 1995**

[54] **NOTEBOOK COMPUTER**

D. 347,214 5/1994 You-Chi D14/106

[75] Inventors: **Seong S. Shin; Young S. Kim**, both of Cupertino, Calif.

Primary Examiner—Freda S. Nunn
Attorney, Agent, or Firm—Samuels, Gauthier & Stevens

[73] Assignee: **Daewoo Telecom Ltd.**, Rep. of Korea

[57] **CLAIM**

[**] Term: **14 Years**

The ornamental design for a notebook computer, as shown and described.

[21] Appl. No.: **8,441**

DESCRIPTION

[22] Filed: **May 17, 1993**

FIG. 1 is a top, front and left side perspective view of a notebook computer showing our new design in the open condition;

[52] U.S. Cl. **D14/106**

FIG. 2 is an open right side elevational view thereof on an enlarged scale;

[58] **Field of Search** D14/100, 101, 106, 113, D14/115, 124-127; D18/1, 7, 11, 12; 235/145 A, 145 R; 341/22, 23; 345/104, 156, 168, 173, 901, 905; 361/679-686; 364/708.1, 709.04, 709.12; 400/486, 489

FIG. 3 is an open left side elevational view thereof;

FIG. 4 is a top, front and left side perspective view showing our new design in the closed condition;

FIG. 5 is a closed top plan view thereof;

FIG. 6 is a closed bottom plan view thereof;

FIG. 7 is a closed right side elevational view thereof;

FIG. 8 is a closed left side elevational view thereof;

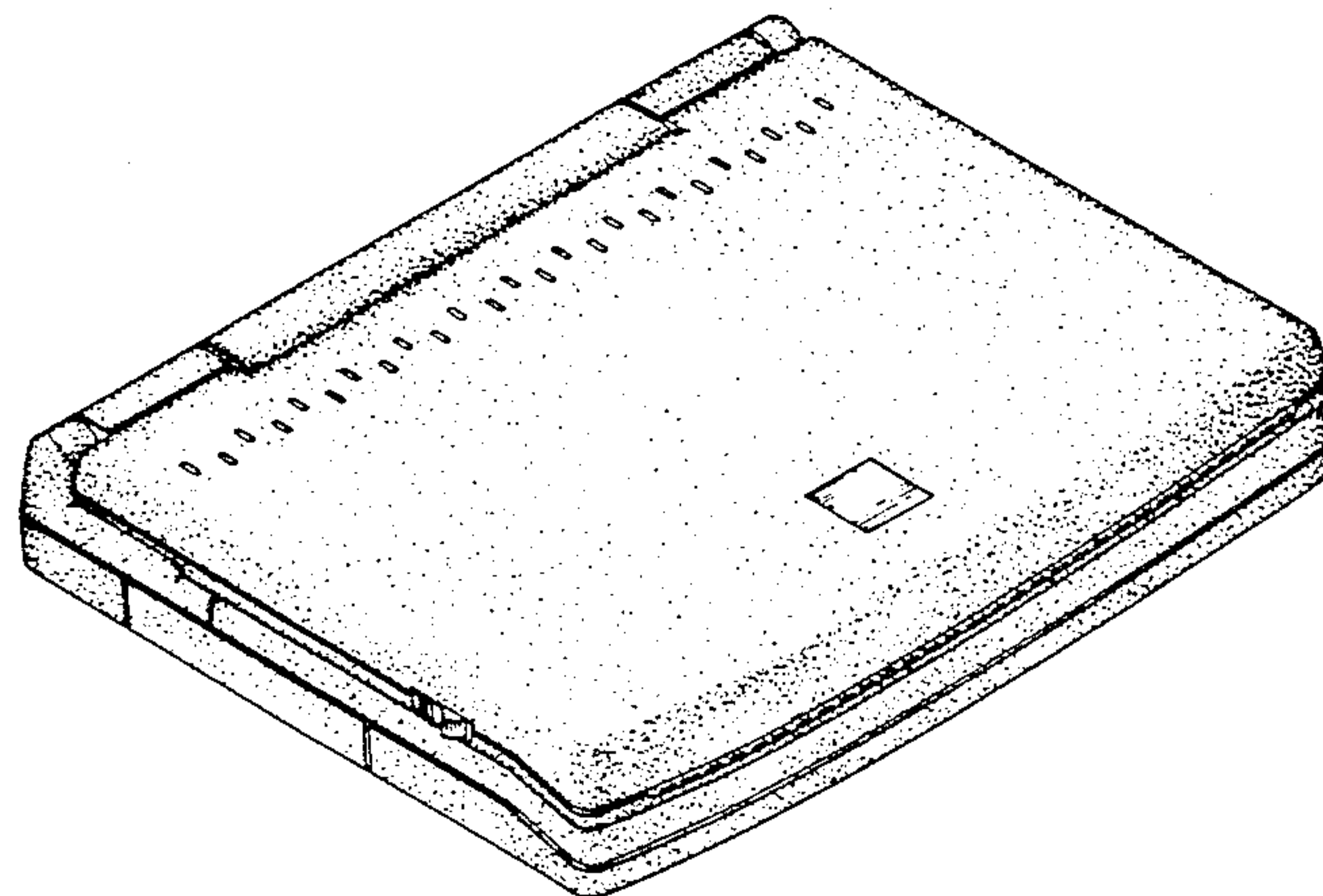
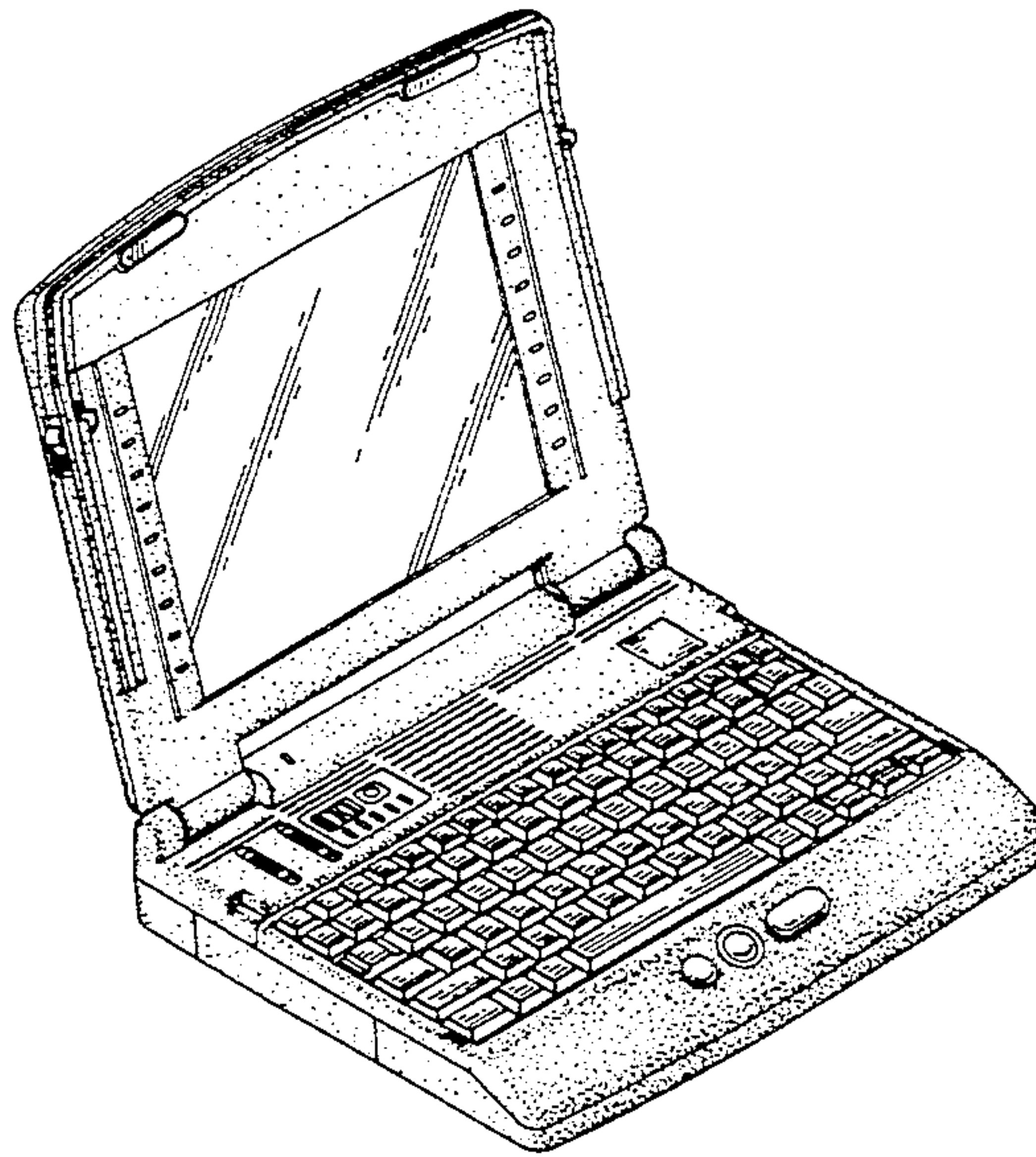
FIG. 9 is a closed front elevational view thereof; and,

FIG. 10 is a closed rear elevational view thereof.

[56] **References Cited**

U.S. PATENT DOCUMENTS

- D. 332,783 1/1993 Krakower et al. D14/106
- D. 338,456 8/1993 Brunner et al. D14/106
- D. 345,149 3/1994 Toedter et al. D14/106



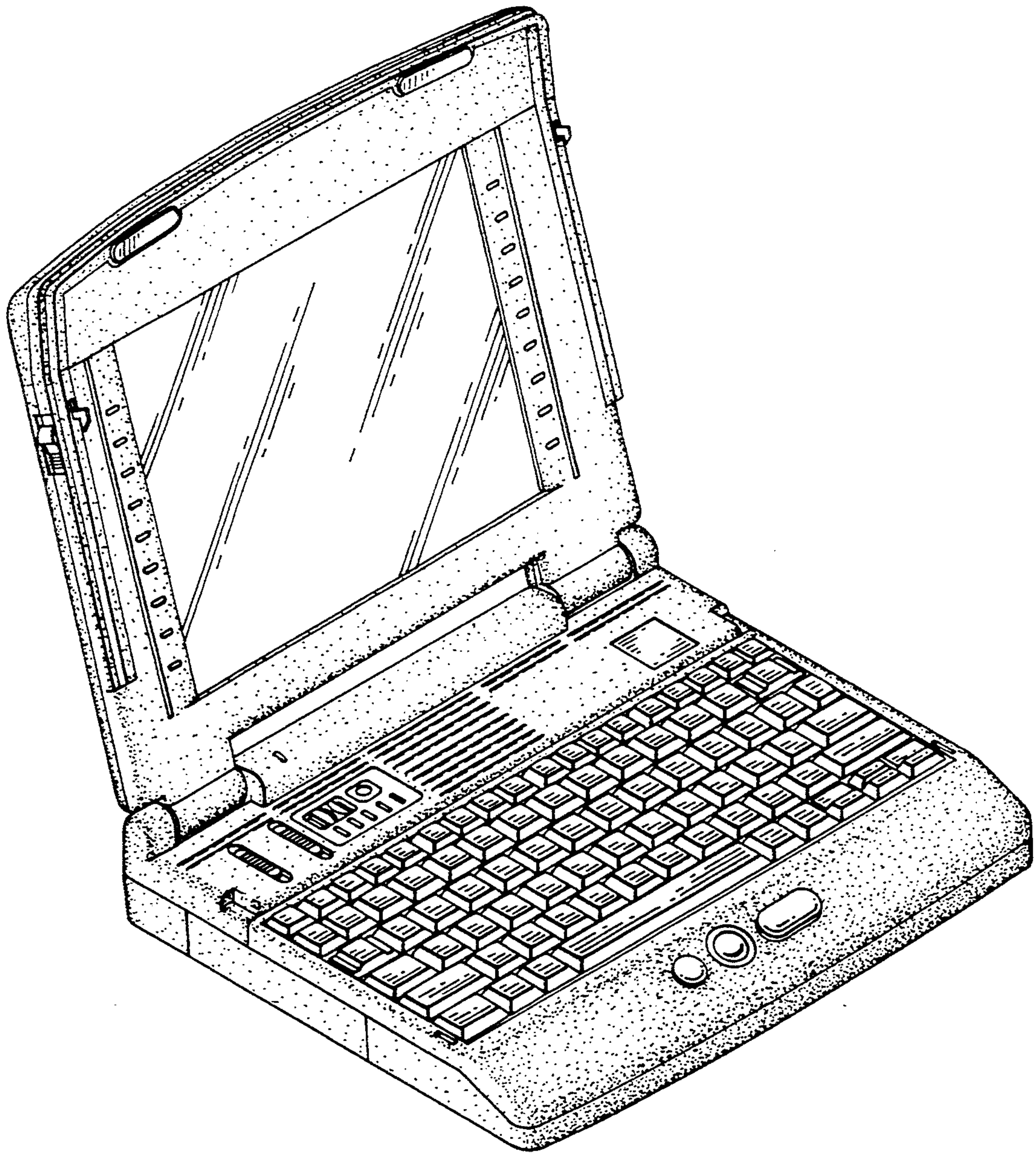


FIG. 1

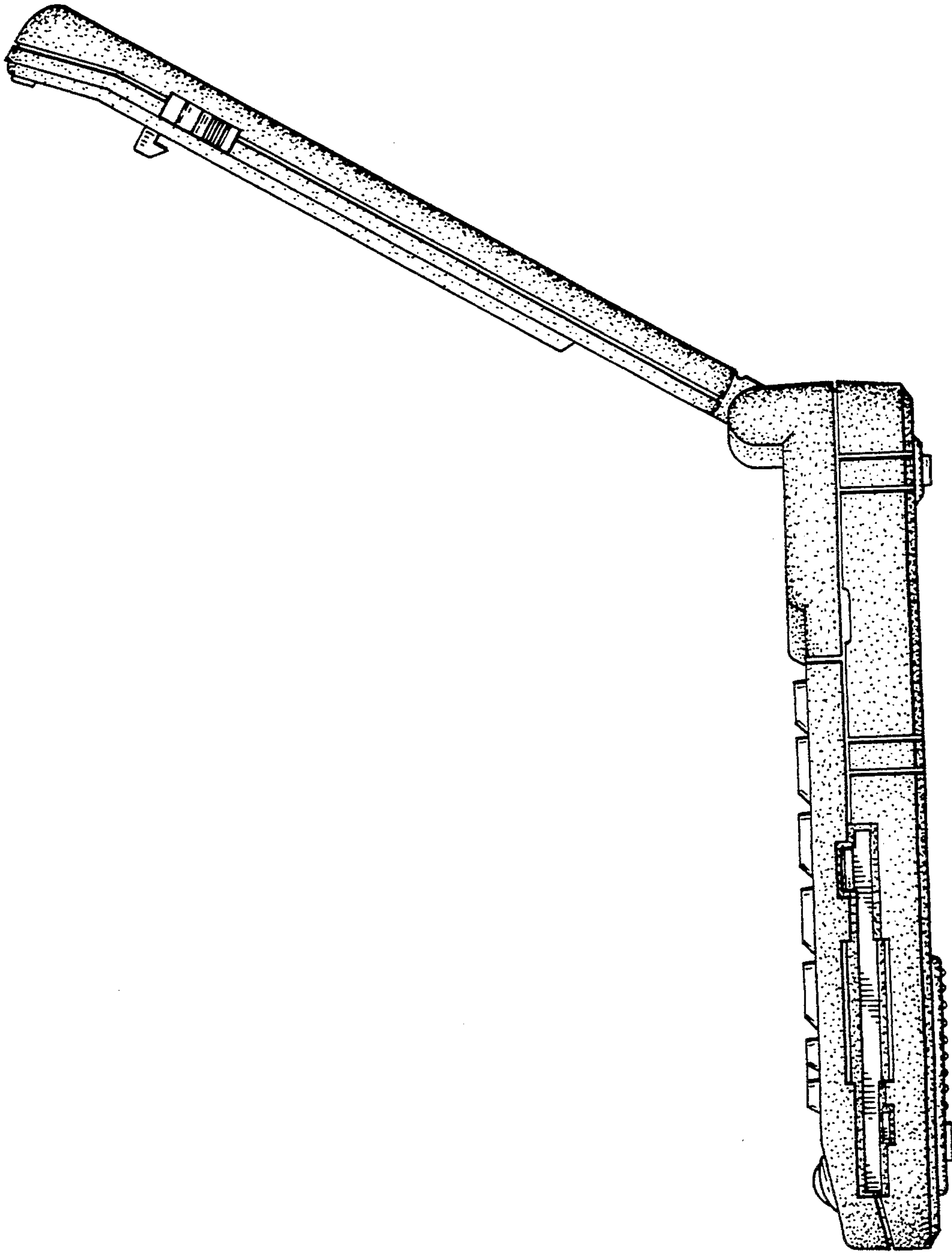


FIG. 2

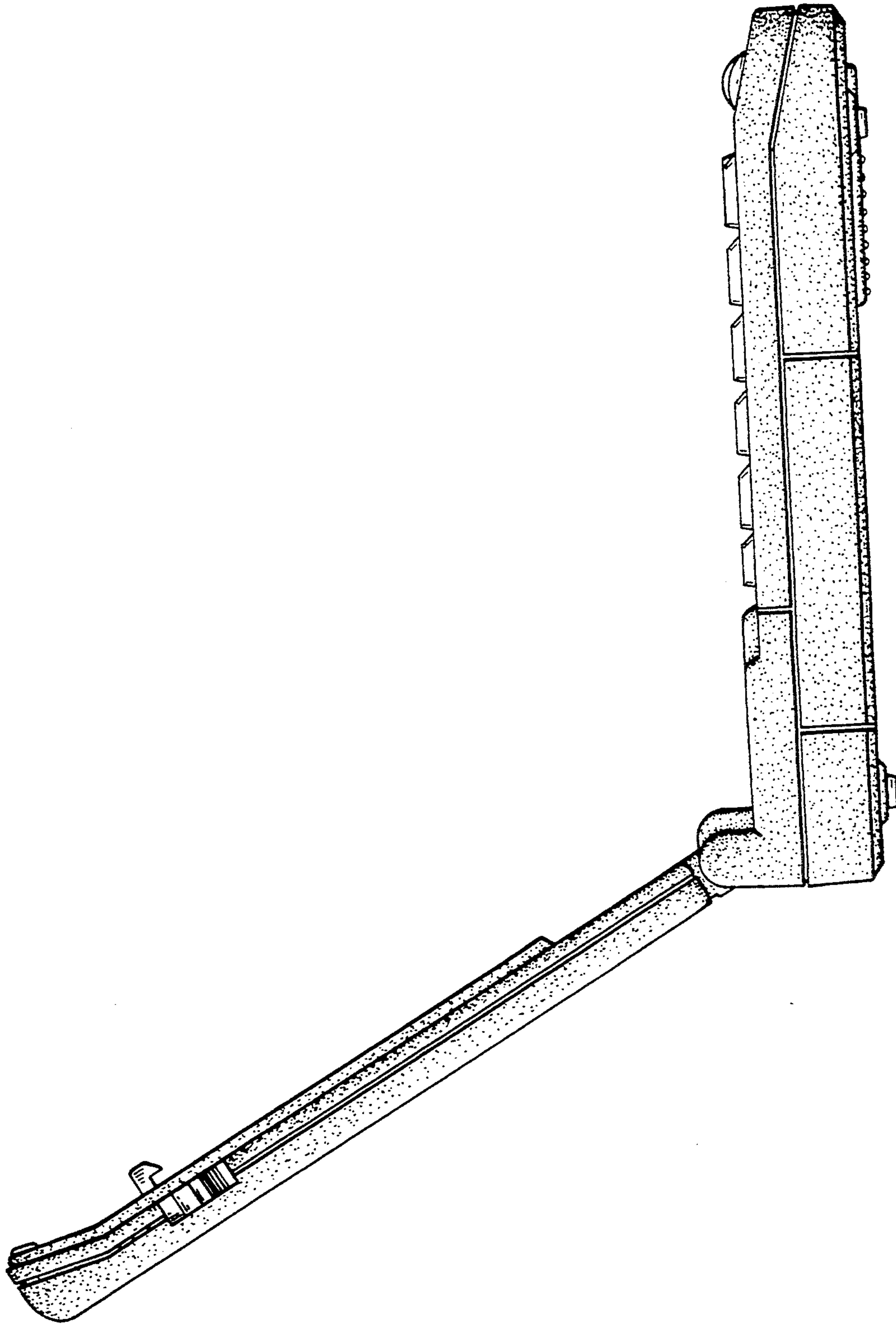


FIG. 3

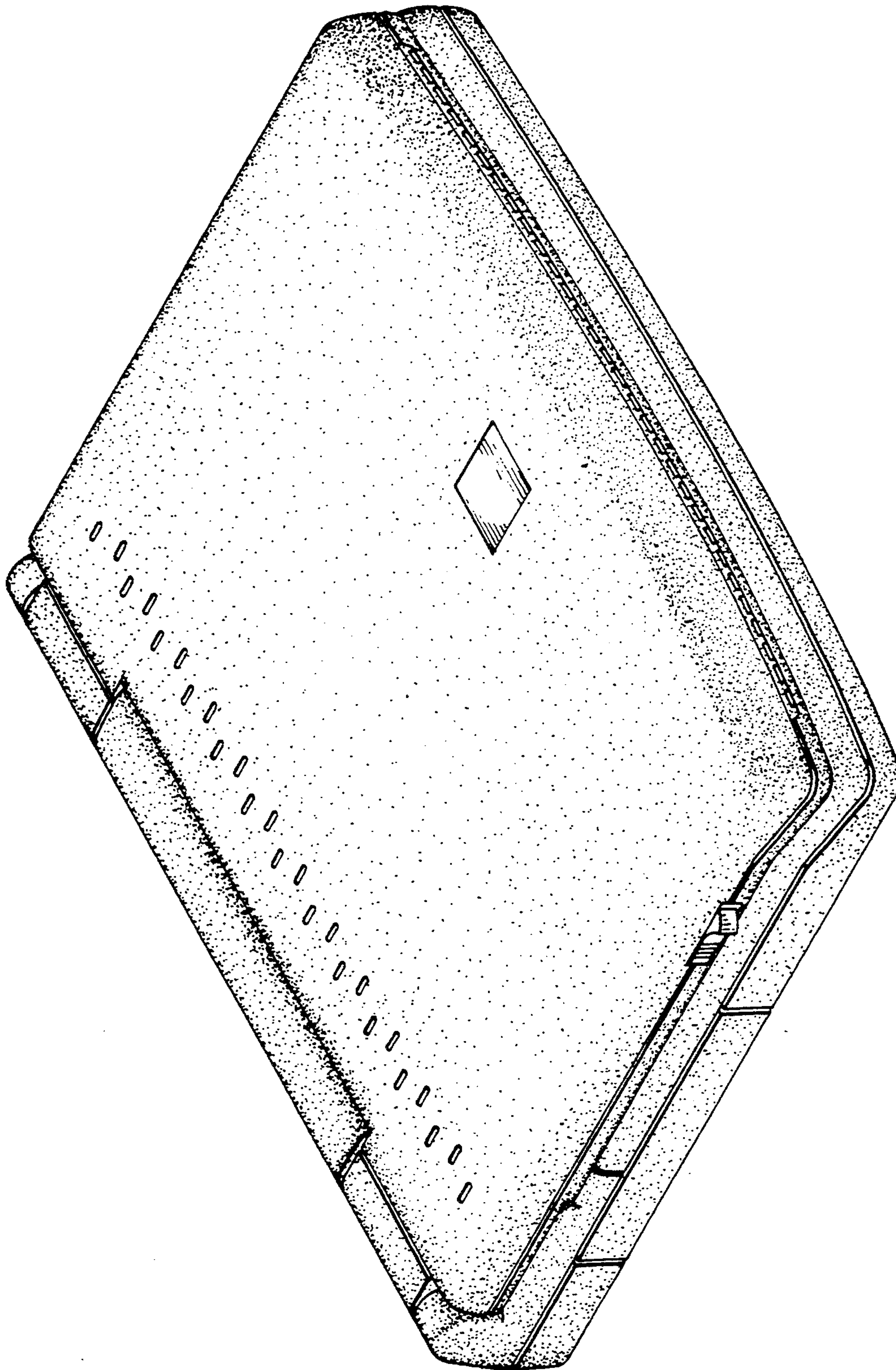


FIG. 4

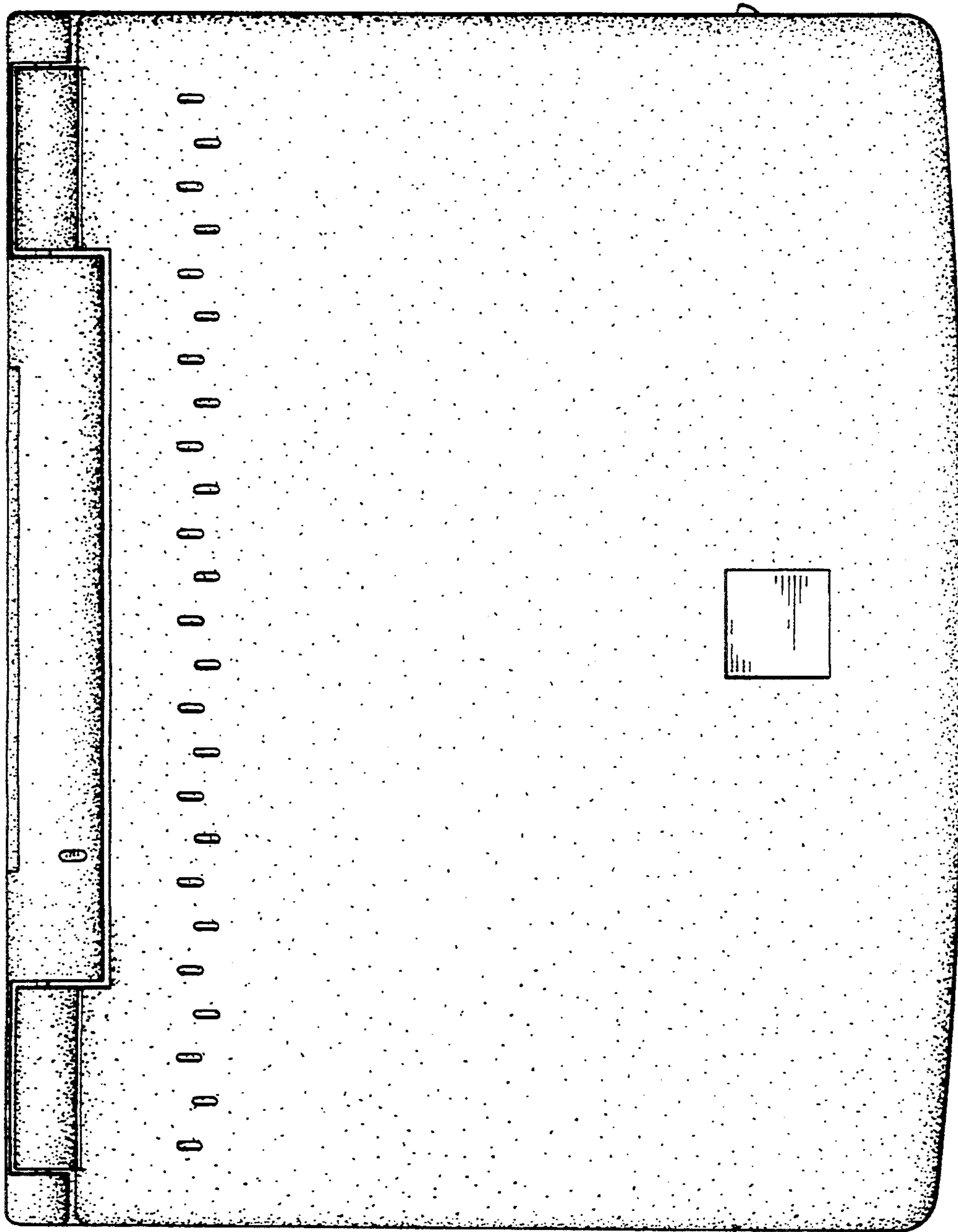


FIG. 5

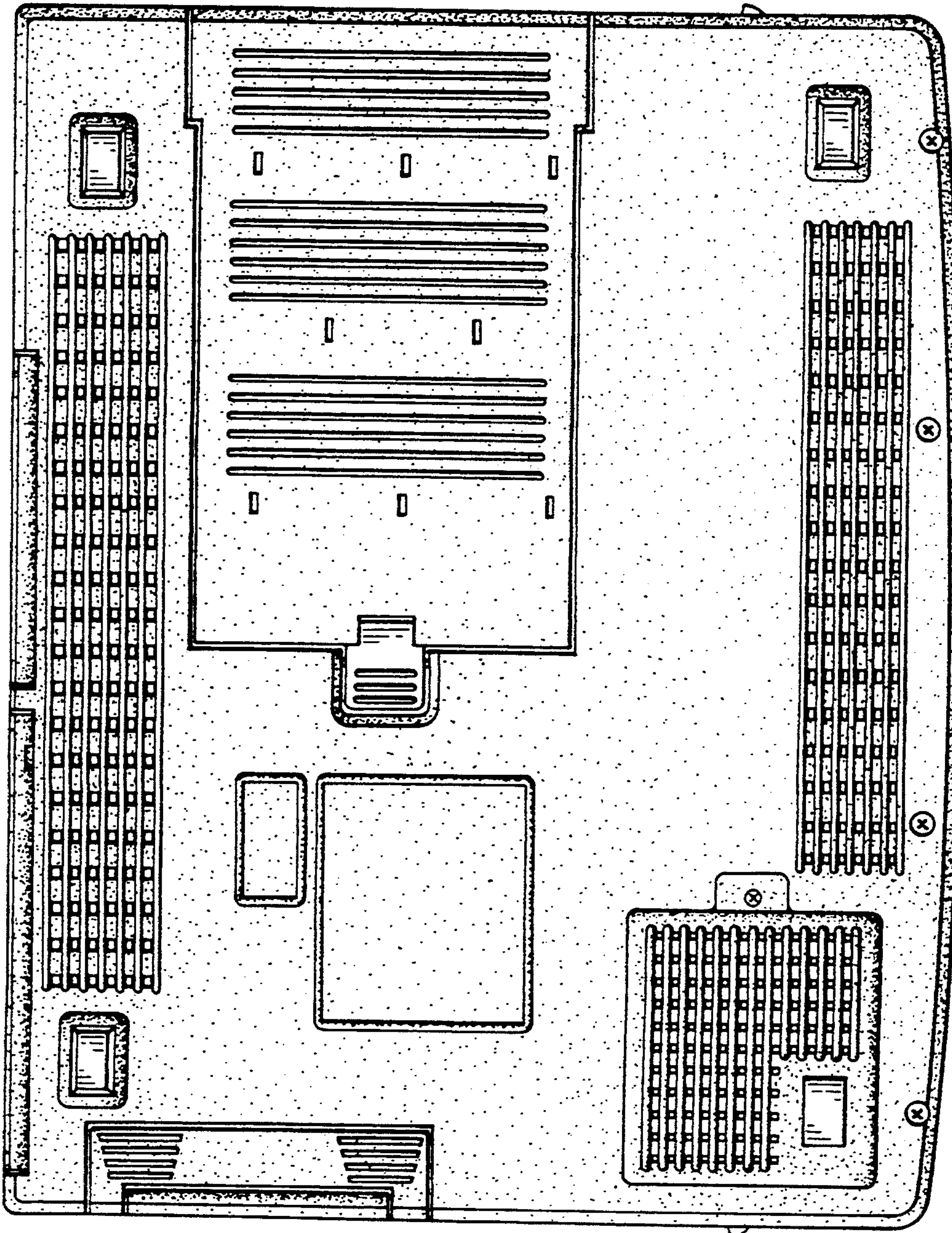


FIG. 6

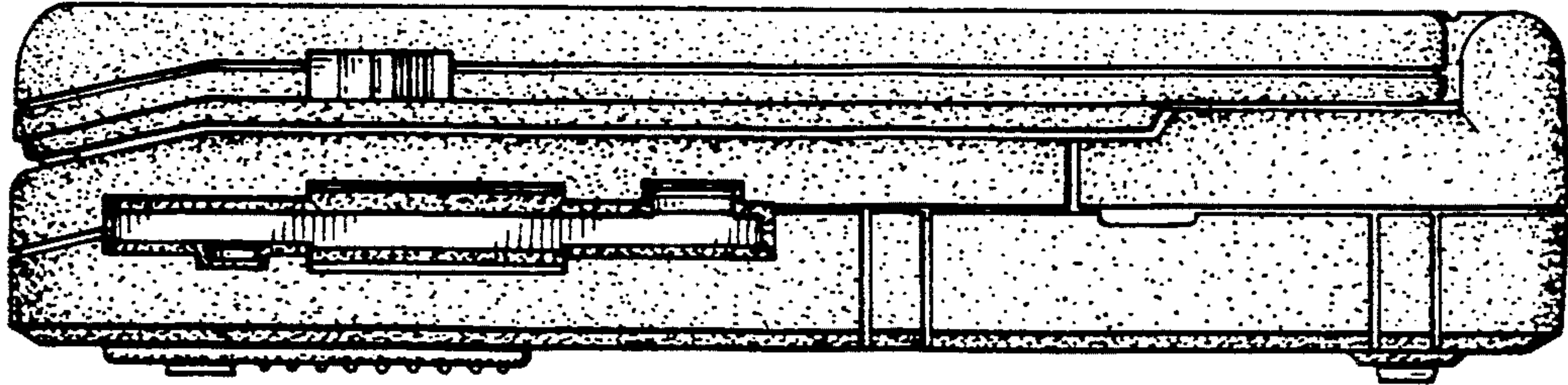


FIG. 7

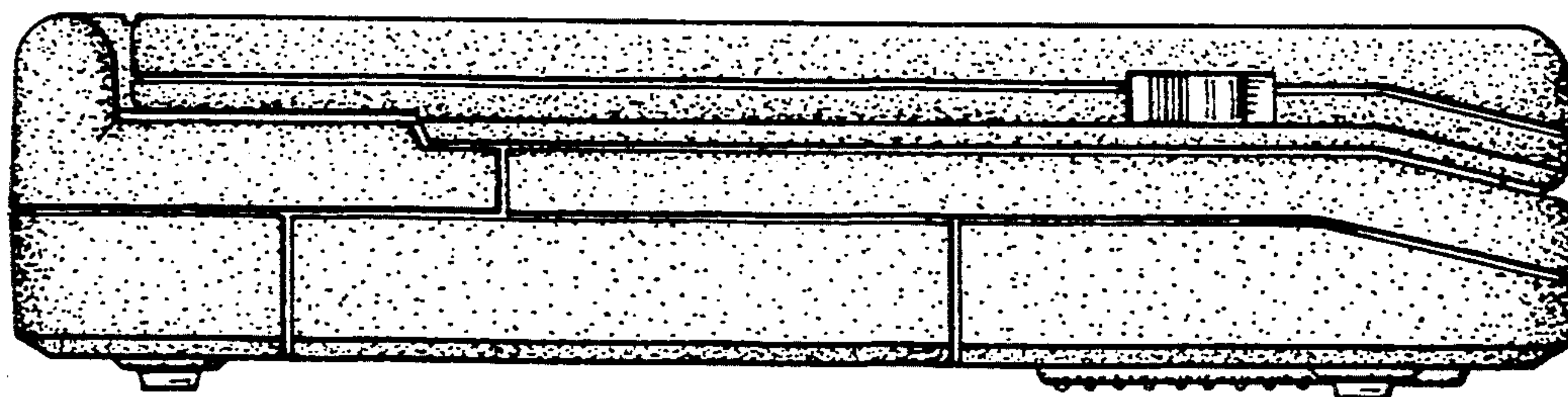


FIG. 8

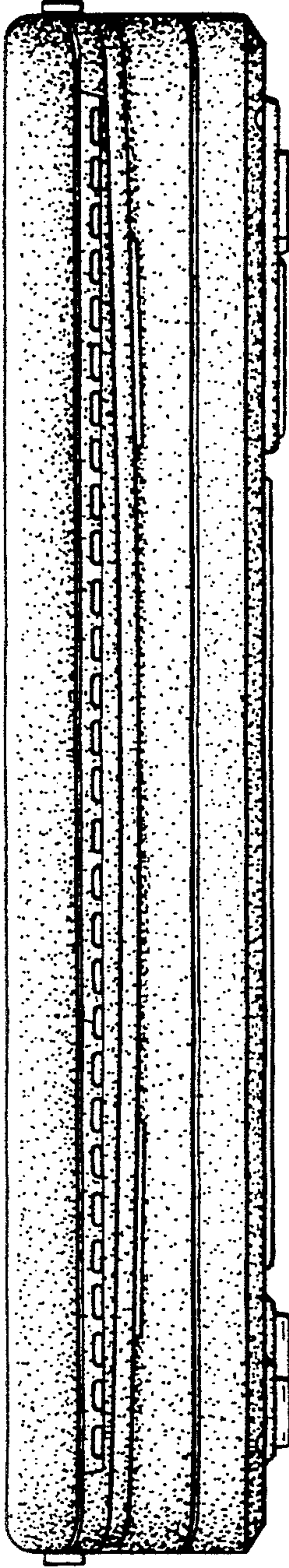


FIG. 9

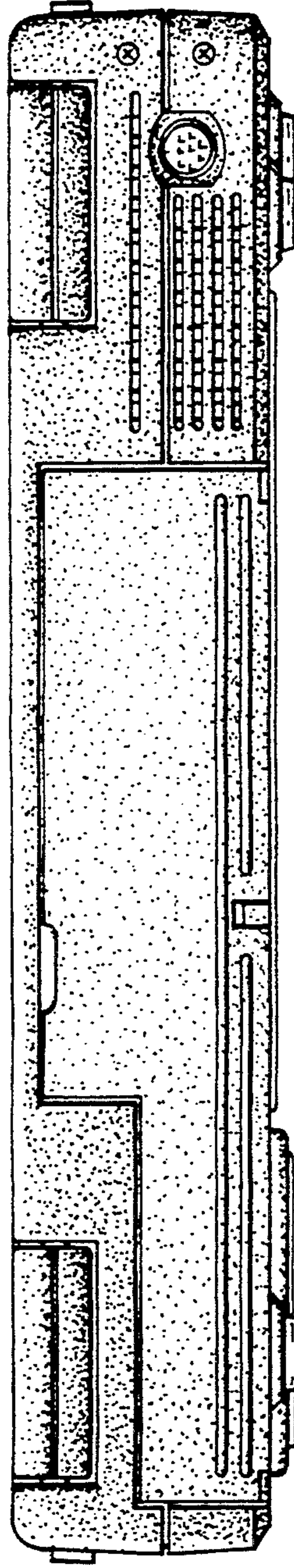


FIG. 10