



US00D360621S

United States Patent [19]

[11] Patent Number: Des. 360,621

Schoening

[45] Date of Patent: ** Jul. 25, 1995

[54] **PERSONAL COMMUNICATIONS RECEIVING DEVICE WITH HINGED DISPLAY SCREEN**

[75] Inventor: Mark Schoening, Portland, Oreg.

[73] Assignees: Sharp Microelectronics Technology, Inc., Camas, Wash.; Sharp Kabushiki Kaisha, Osaka, Japan

[**] Term: 14 Years

[21] Appl. No.: 21,612

[22] Filed: Apr. 20, 1994

[52] U.S. Cl. D14/100

[58] Field of Search D14/100, 106, 113, 115, D14/124-127; D18/1, 7, 11, 12; D19/59, 60, 62; 235/145 A, 145 R; 345/104, 156, 168, 169, 172, 173, 901, 905, 87; 364/708.1, 709.04, 709.12; 341/22, 23; 434/307-309, 317

[56] References Cited

U.S. PATENT DOCUMENTS

D. 255,125	5/1980	Hazama et al.	D18/7
D. 297,734	9/1988	Soren et al.	D14/64
D. 328,294	7/1992	Stilley	D14/138
D. 330,048	10/1992	Cheung et al.	D19/60
D. 333,298	2/1993	Raslowsky et al.	D14/100
D. 342,501	12/1993	Saeki et al.	D14/106 X
D. 347,002	5/1994	Lau	D14/114
5,278,779	1/1994	Conway et al.	364/708.1

OTHER PUBLICATIONS

Advertisements from Mobile Office, Feb. 1992, p. 30, showing AST Computers; and pp. 34 and 38, showing the Sony Data Discman.

PC Magazine Aug. 1993, p. 179 *Badger Computer Location EIC Library.*

Primary Examiner—Freda S. Nunn

Attorney, Agent, or Firm—David C. Ripma

[57] CLAIM

The ornamental design for a personal communications receiving device with hinged display screen, as shown and described.

DESCRIPTION

FIG. 1 is a reduced perspective view of a personal communications receiving device with hinged display screen showing one embodiment of my new design with the cover closed;

FIG. 2 is a reduced perspective view thereof with the cover open to reveal the hinged display screen on the underside of the cover;

FIG. 3 is a top plan view thereof with the cover closed, as in FIG. 1;

FIG. 4 is a bottom plan view thereof;

FIG. 5 is a front elevational view thereof;

FIG. 6 is a rear elevational view thereof;

FIG. 7 is a right side elevational view thereof;

FIG. 8 is a right side elevational view thereof, as in FIG. 7, with the cover opened;

FIG. 9 is a left side elevational view thereof with the cover closed, as in FIGS. 1 and 7;

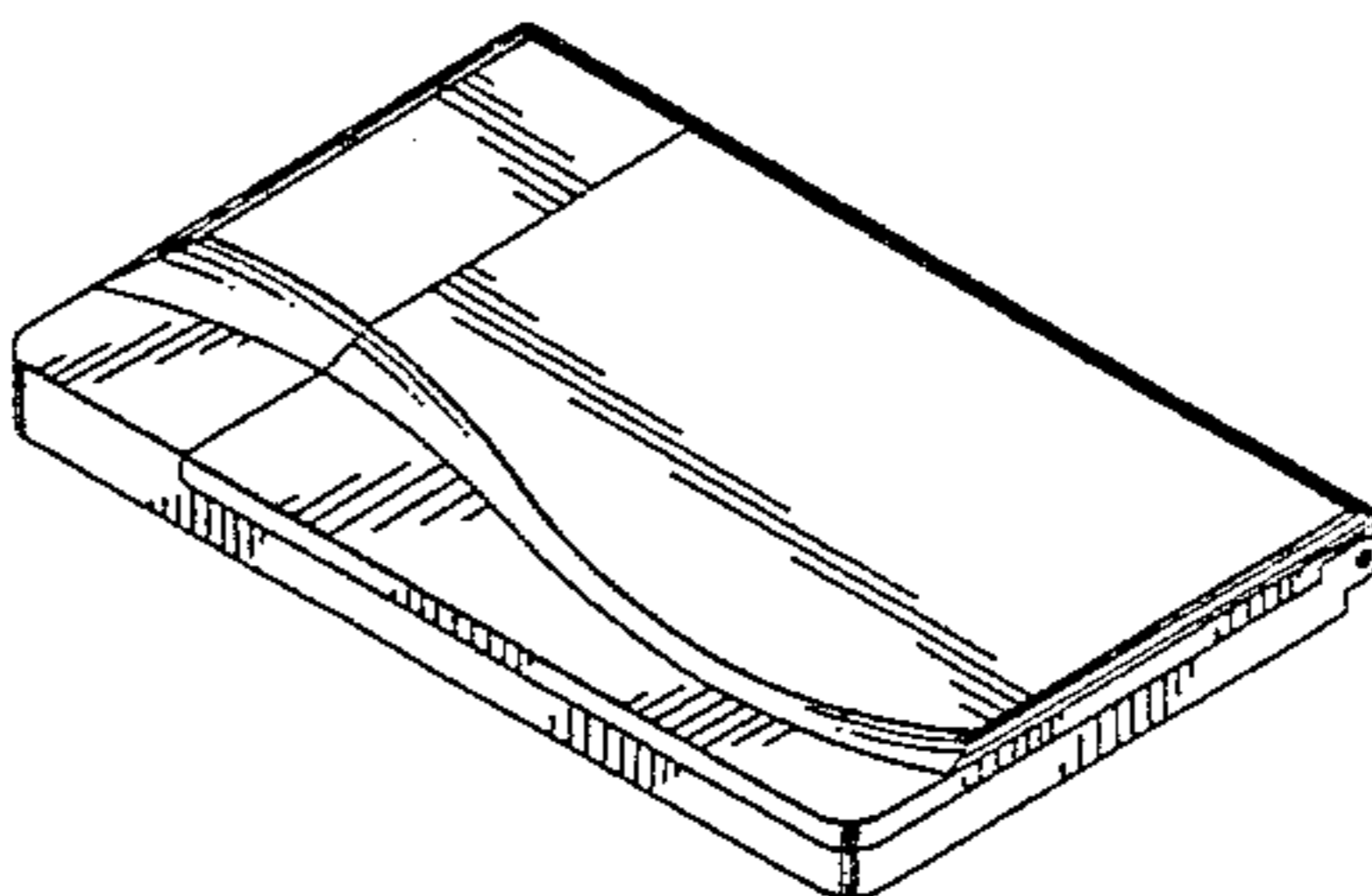
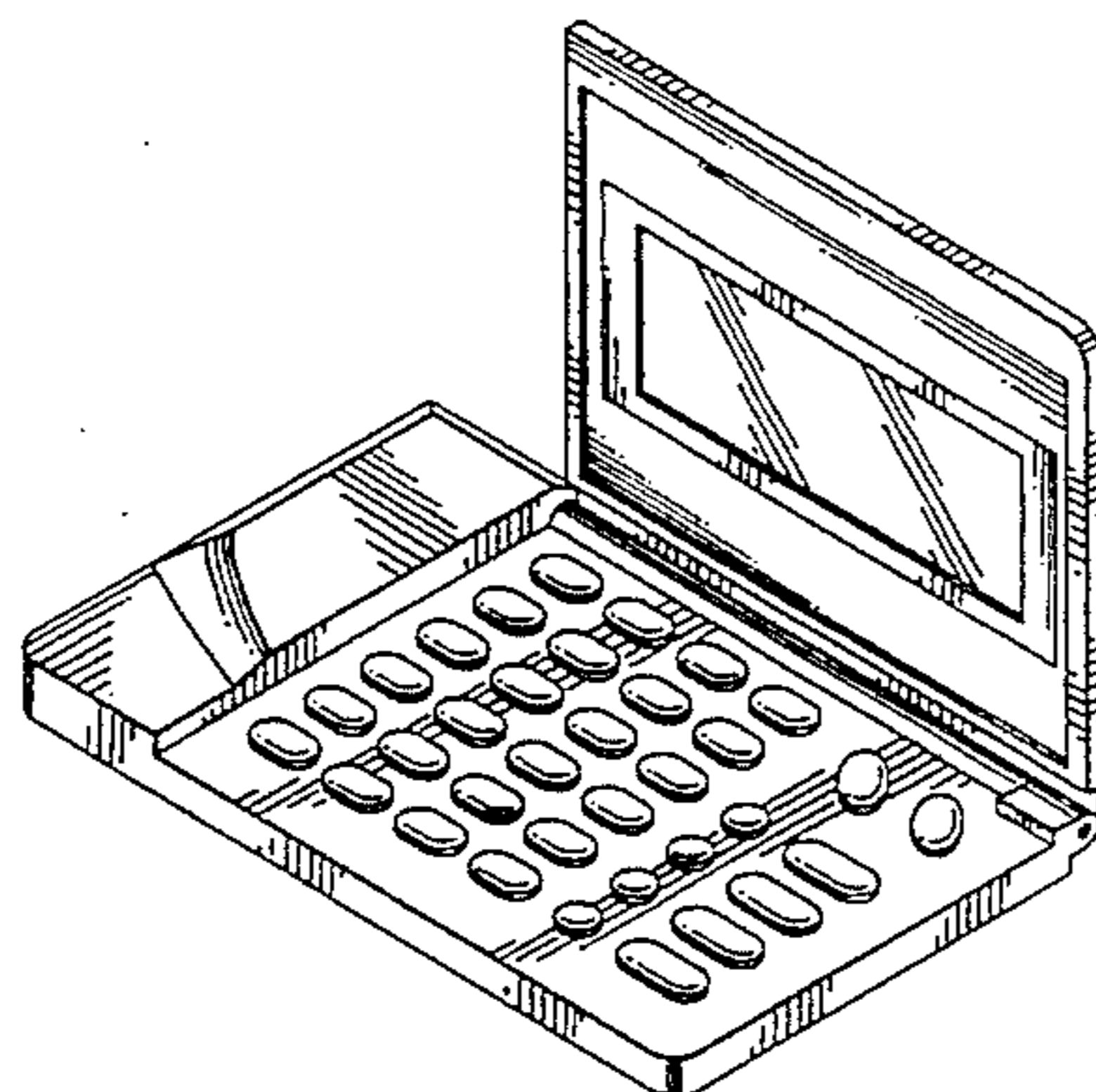
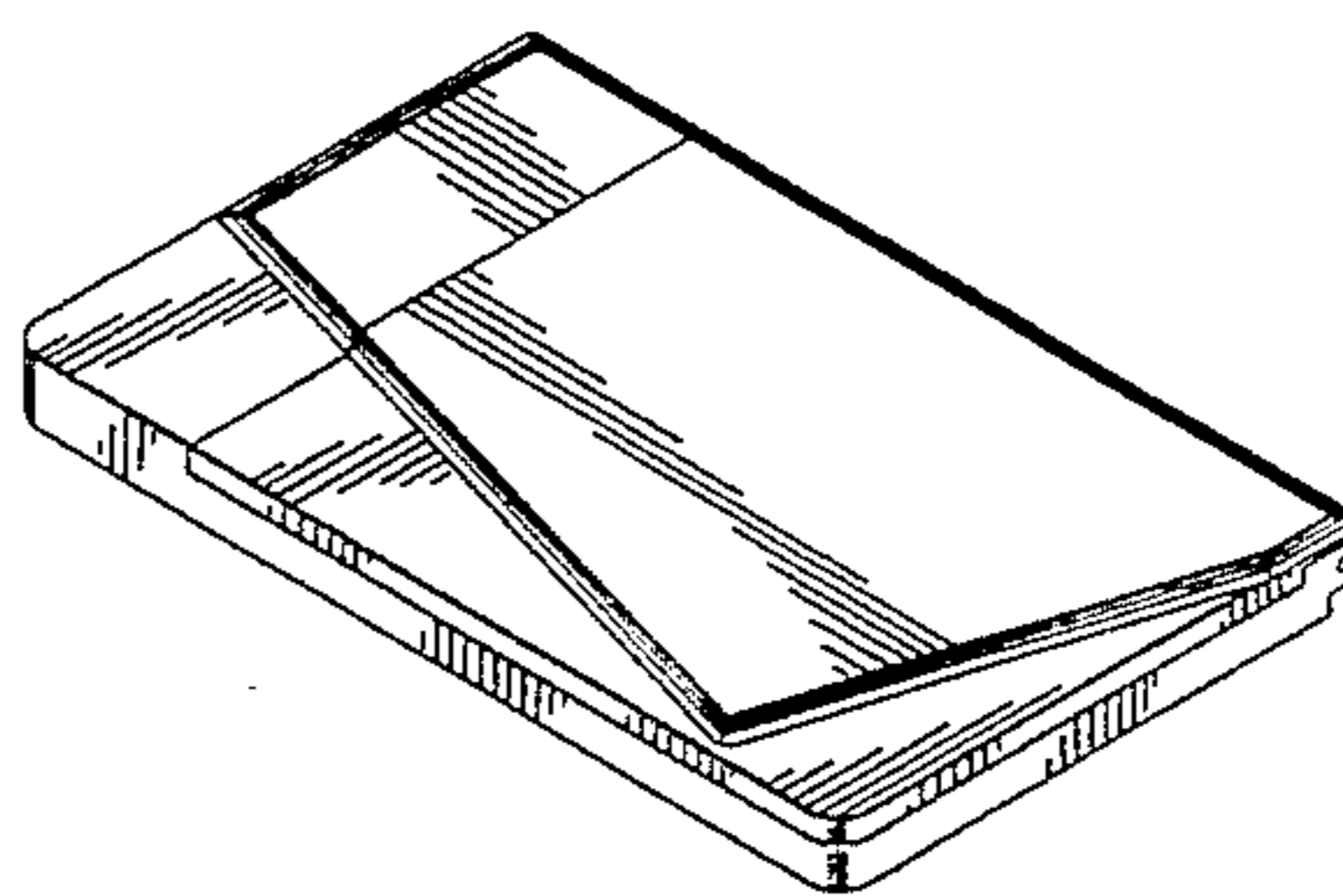
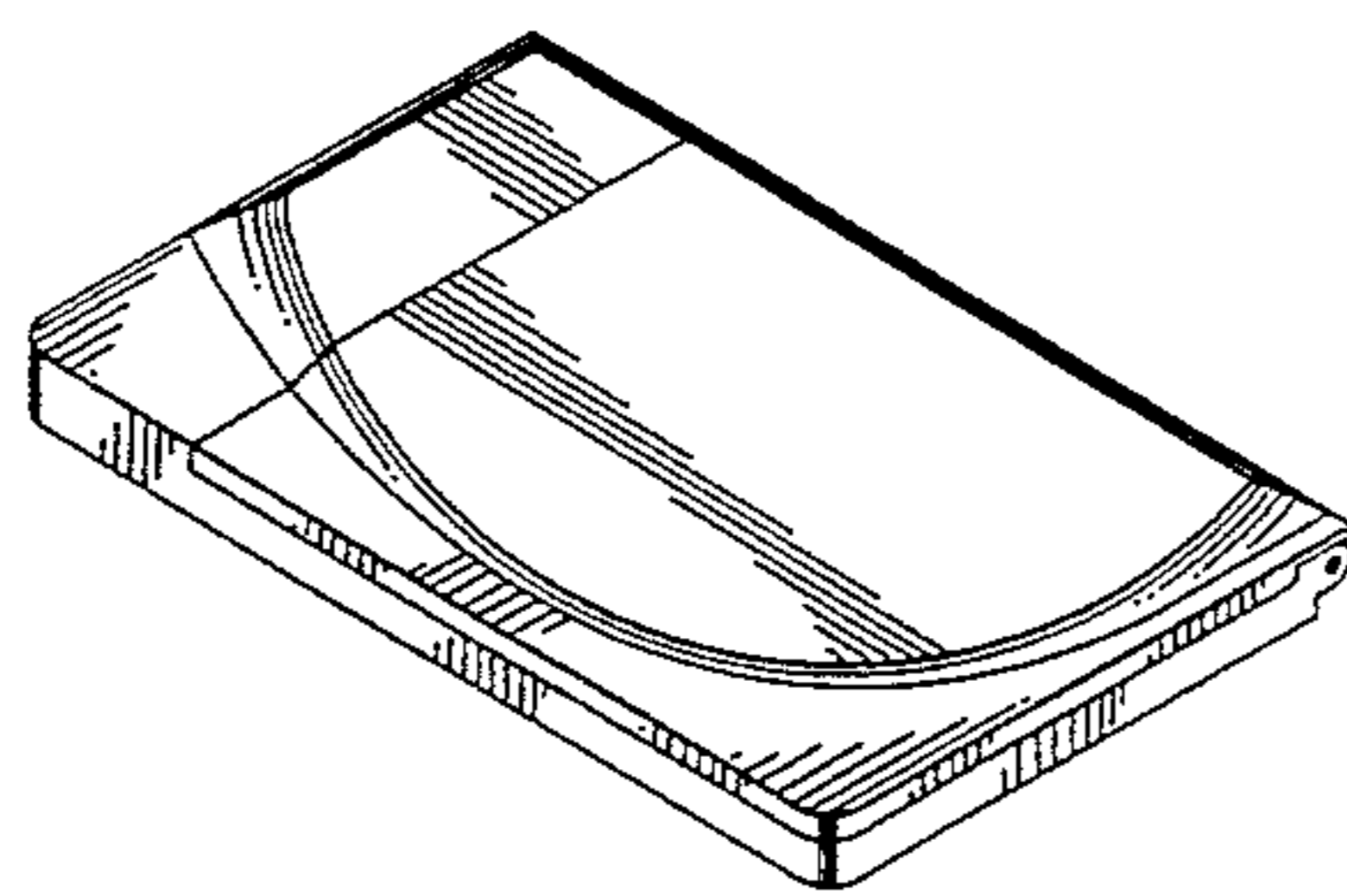
FIG. 10 is a left side elevational view thereof as in FIG. 9, with the cover opened;

FIG. 11 is a reduced perspective view as seen in FIG. 1 of an alternative embodiment of my new design with the cover closed and the only difference is in the appearance of the cover;

FIG. 12 is a top plan view as in FIG. 3 of the embodiment shown in FIG. 11;

FIG. 13 is a reduced perspective view as in FIGS. 1 and 11 of another alternative embodiment of my new design with the cover closed and the only difference is in the appearance of the cover; and,

FIG. 14 is a top plan view as in FIGS. 3 and 12 of the embodiment shown in FIG. 13.



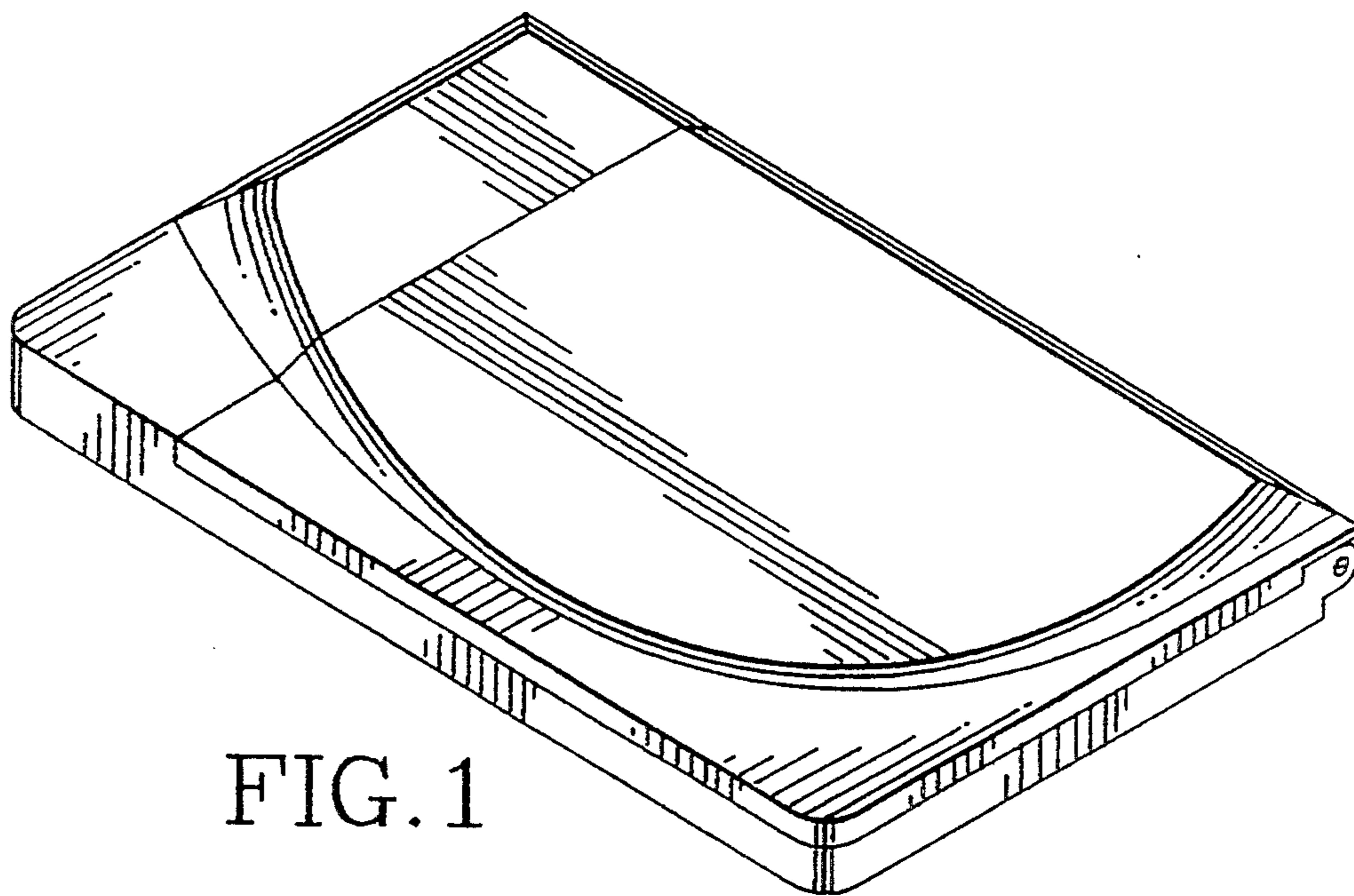


FIG. 1

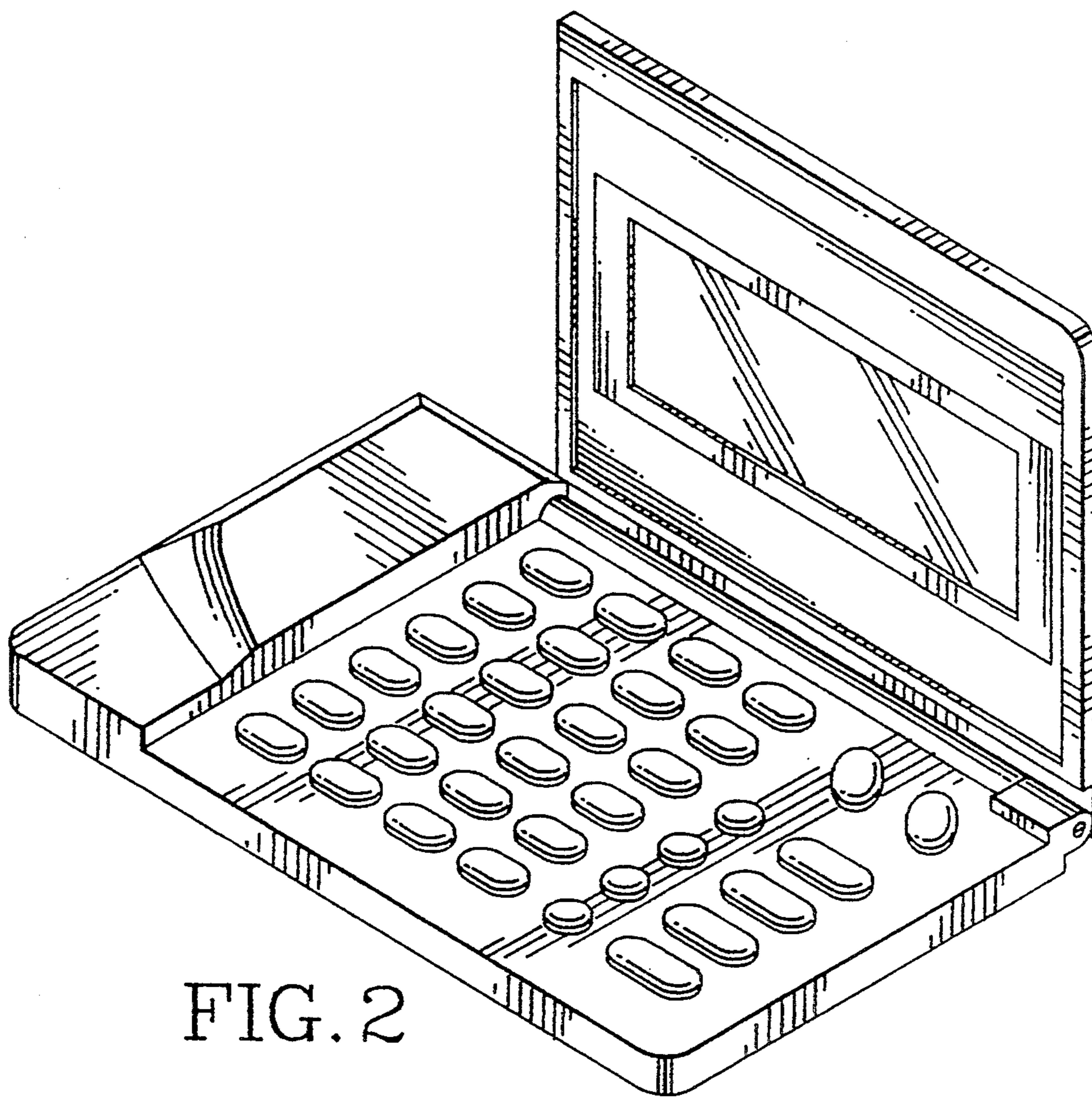


FIG. 2

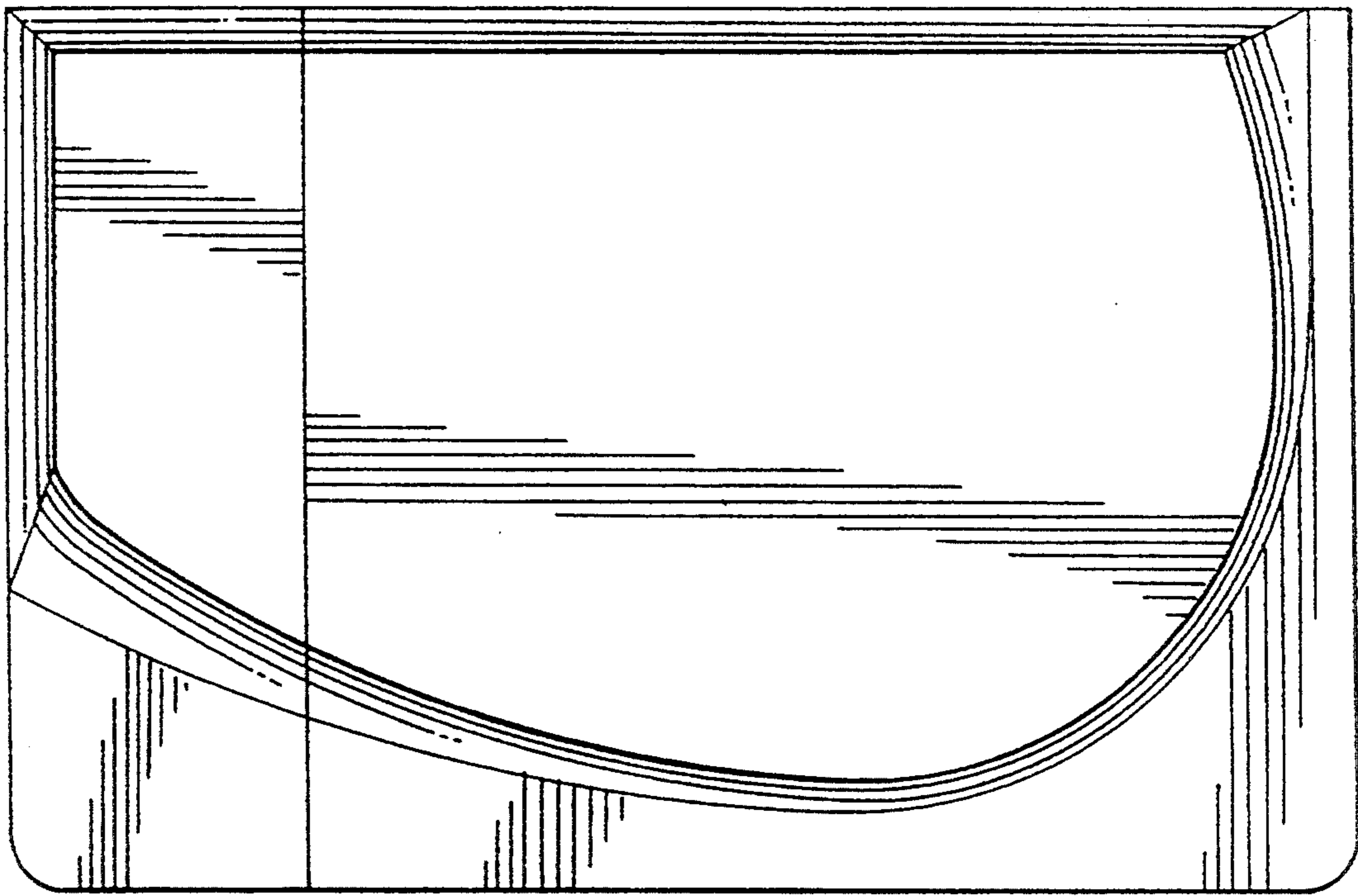


FIG. 3

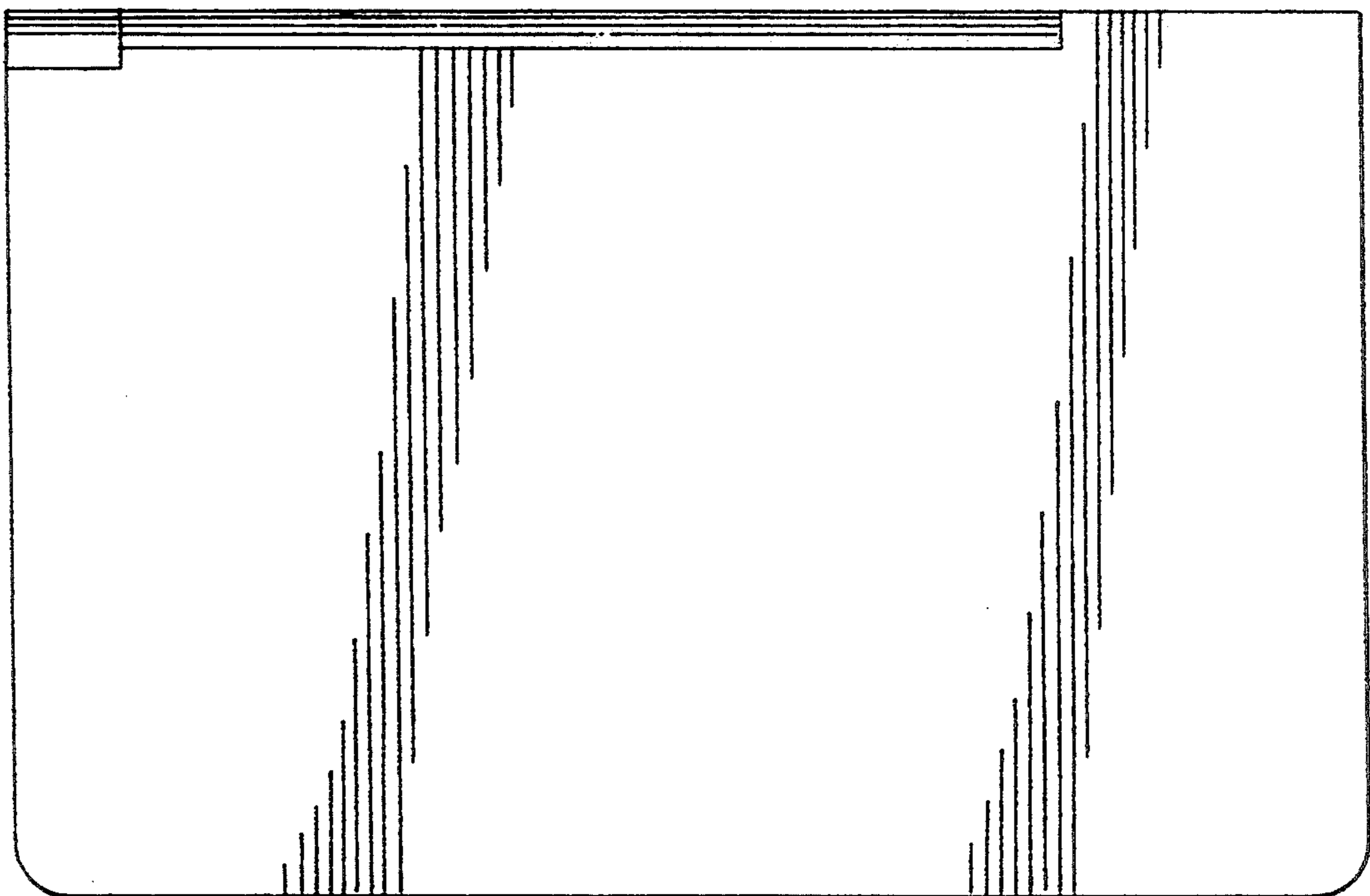


FIG. 4

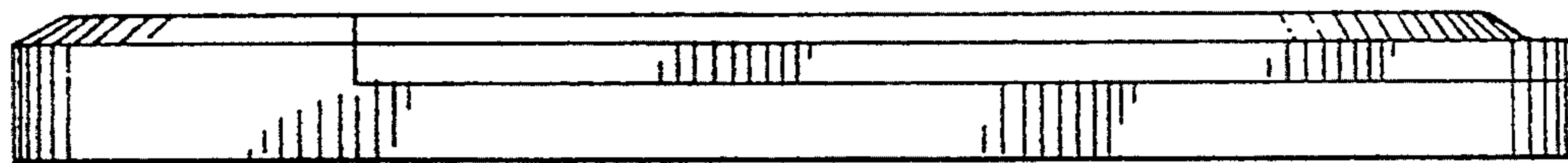


FIG. 5

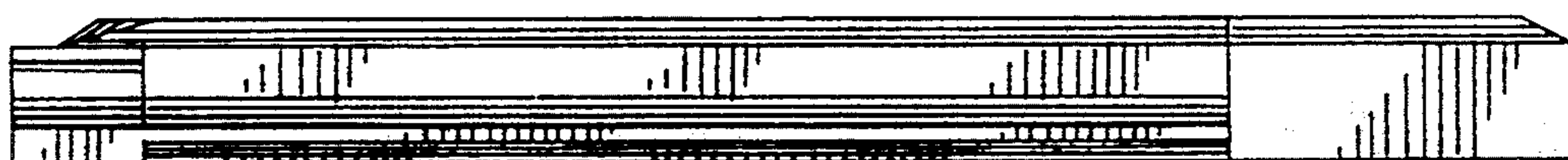


FIG. 6

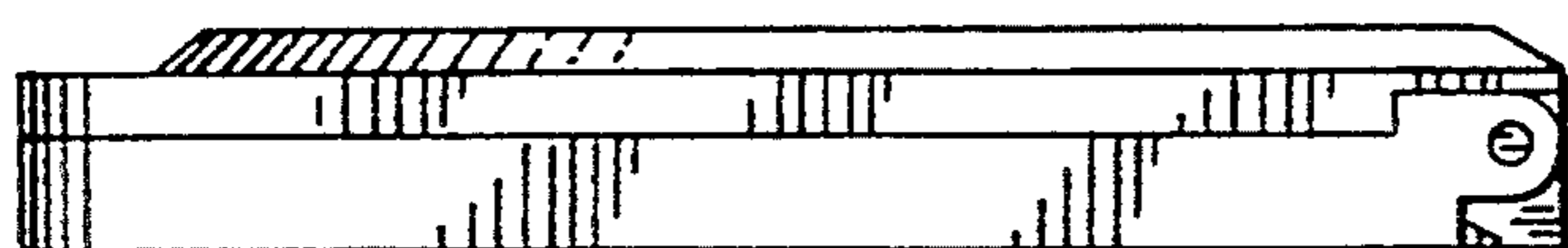


FIG. 7

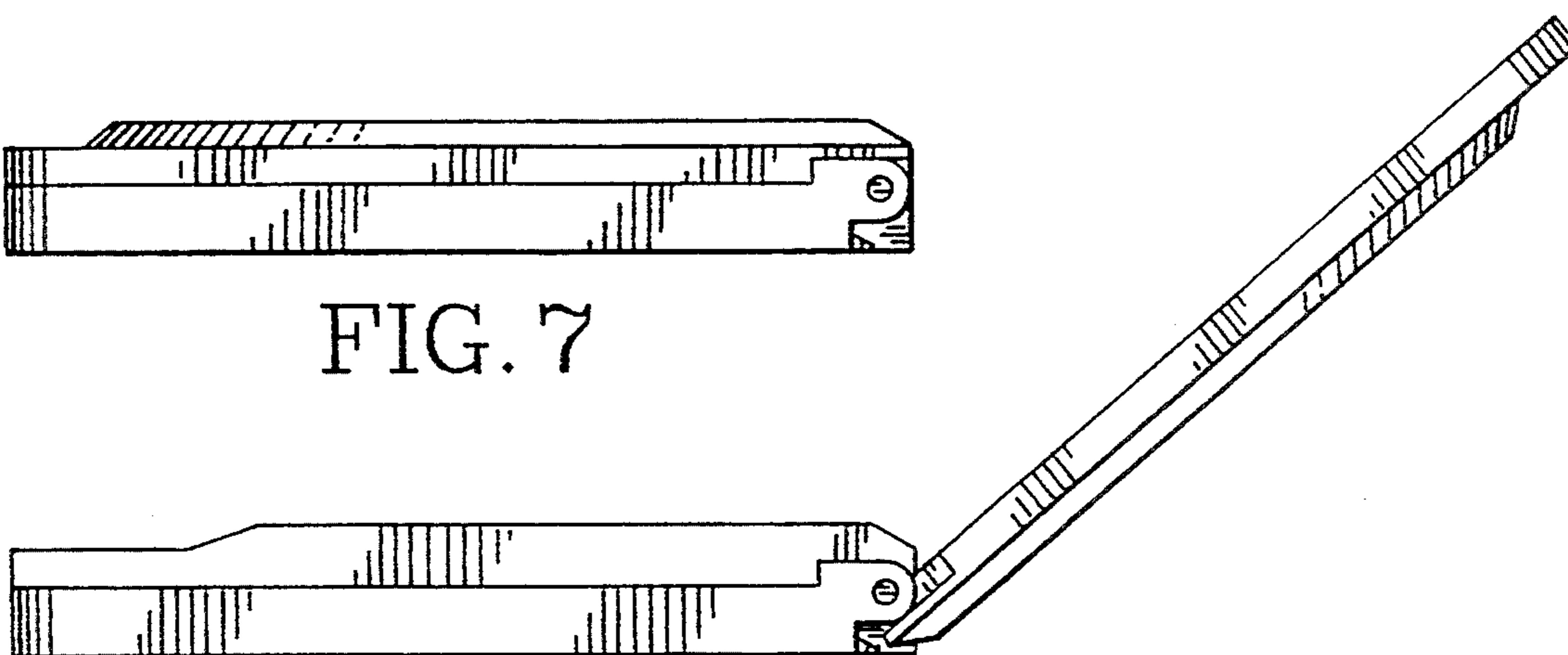


FIG. 8

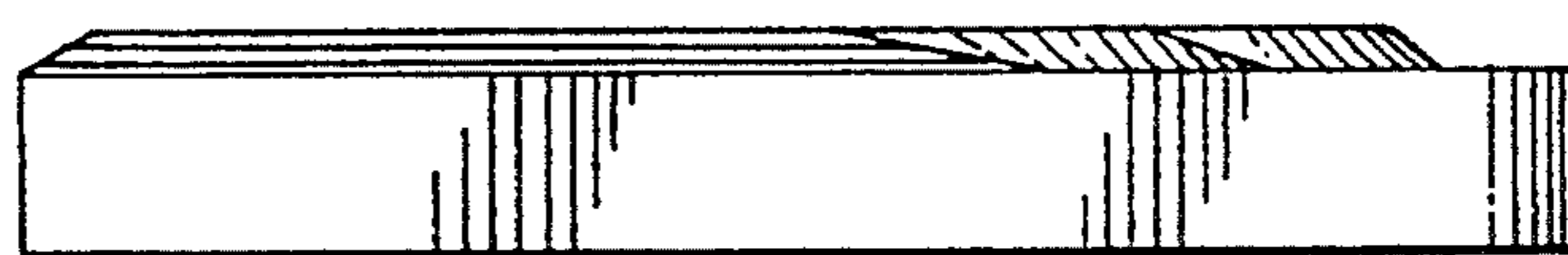


FIG. 9

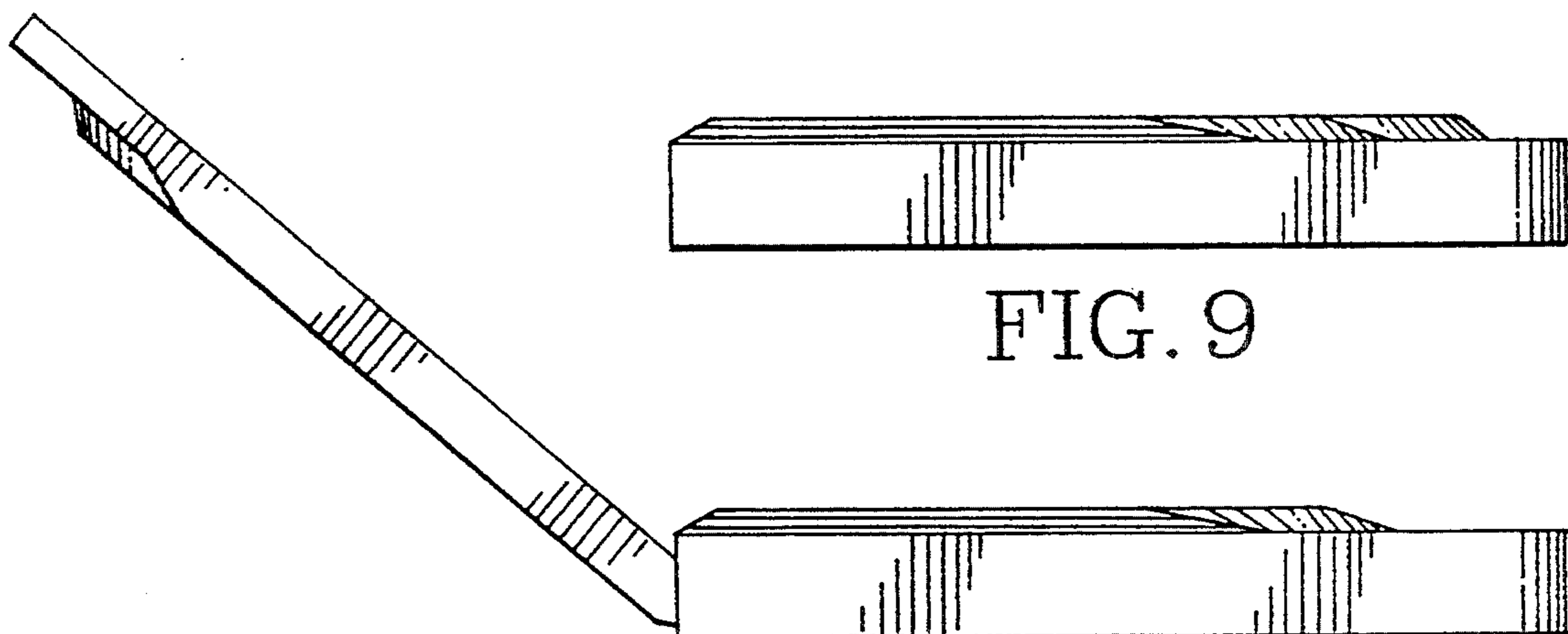


FIG. 10

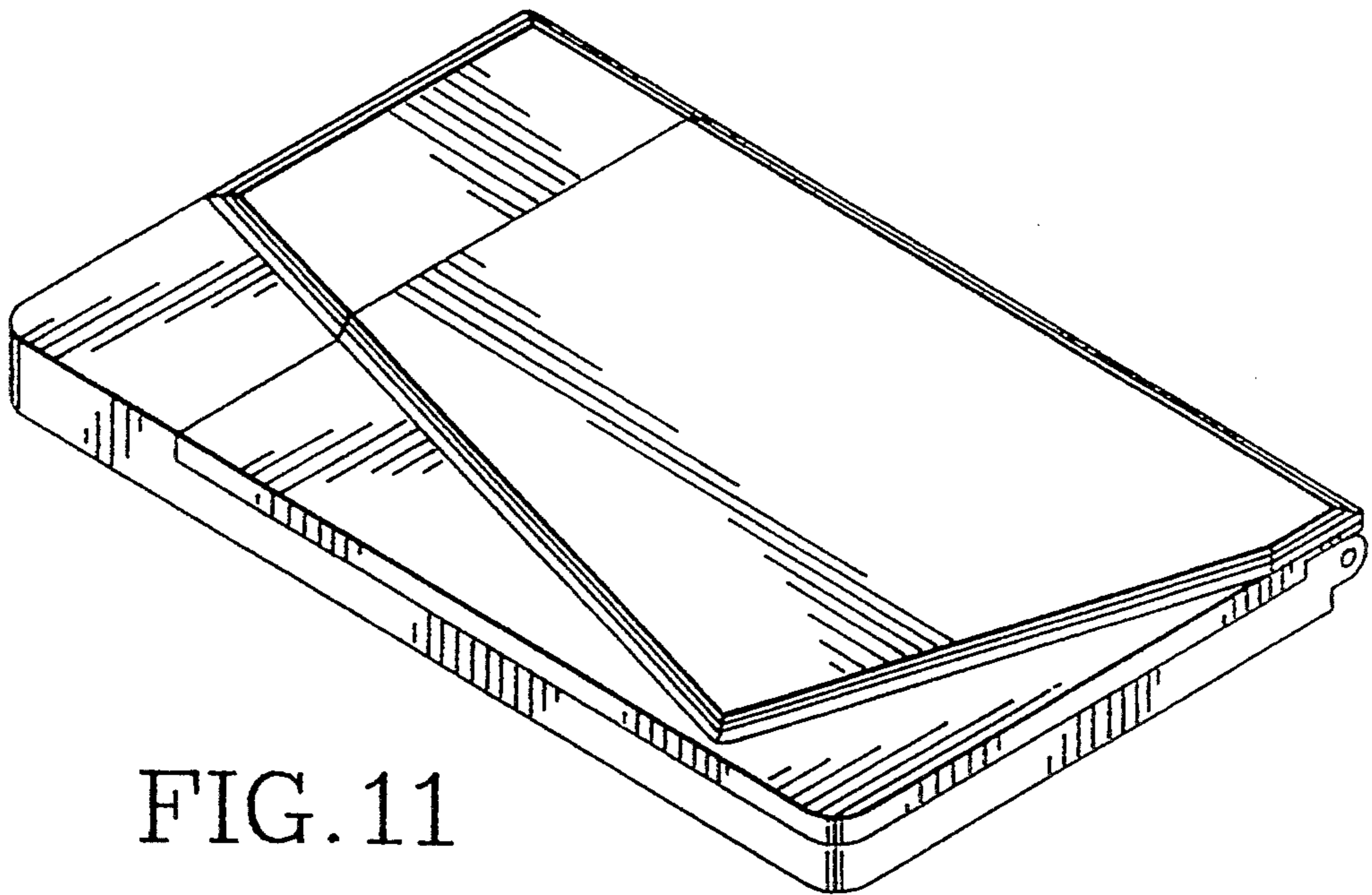


FIG. 11

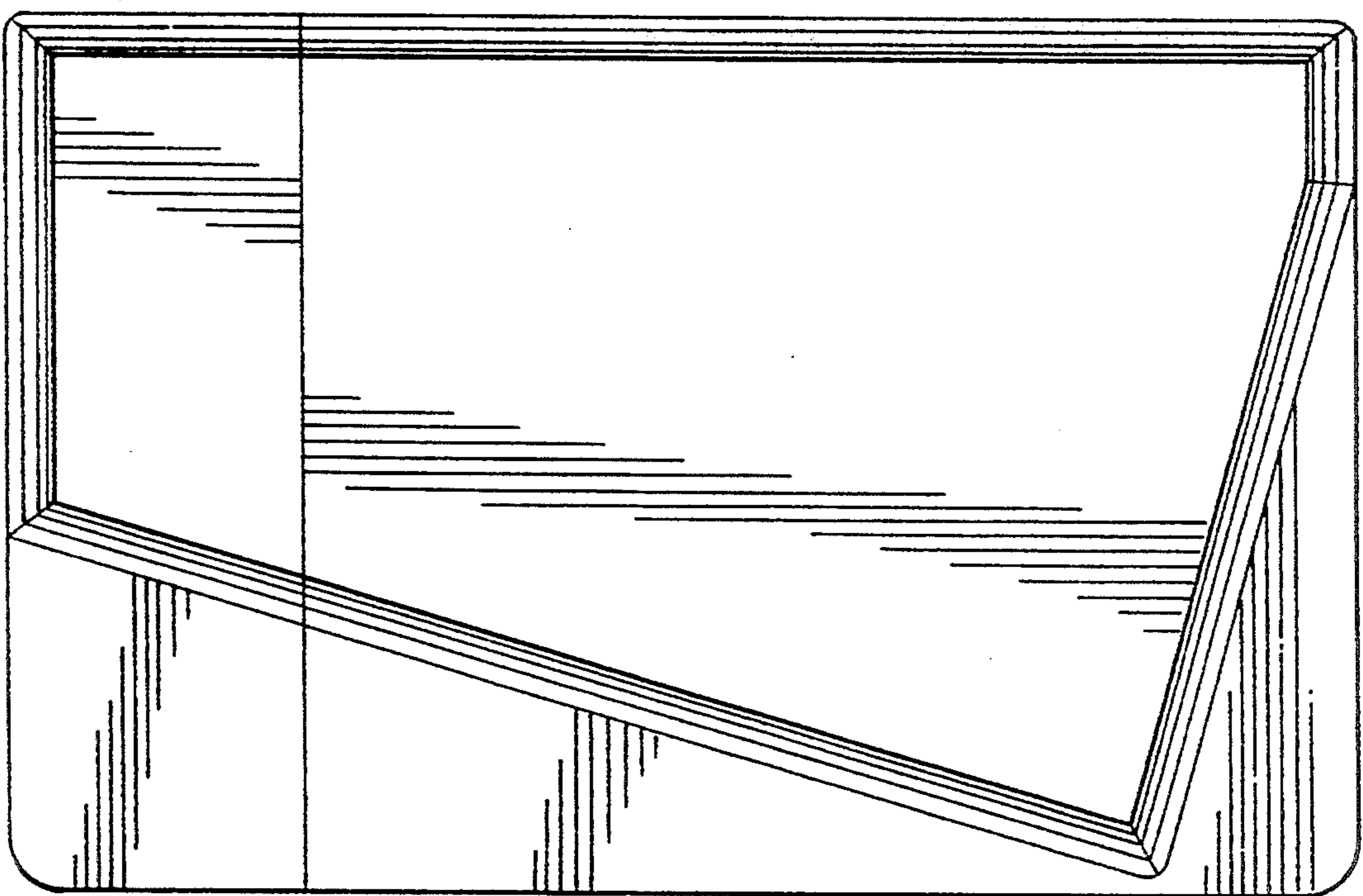


FIG. 12

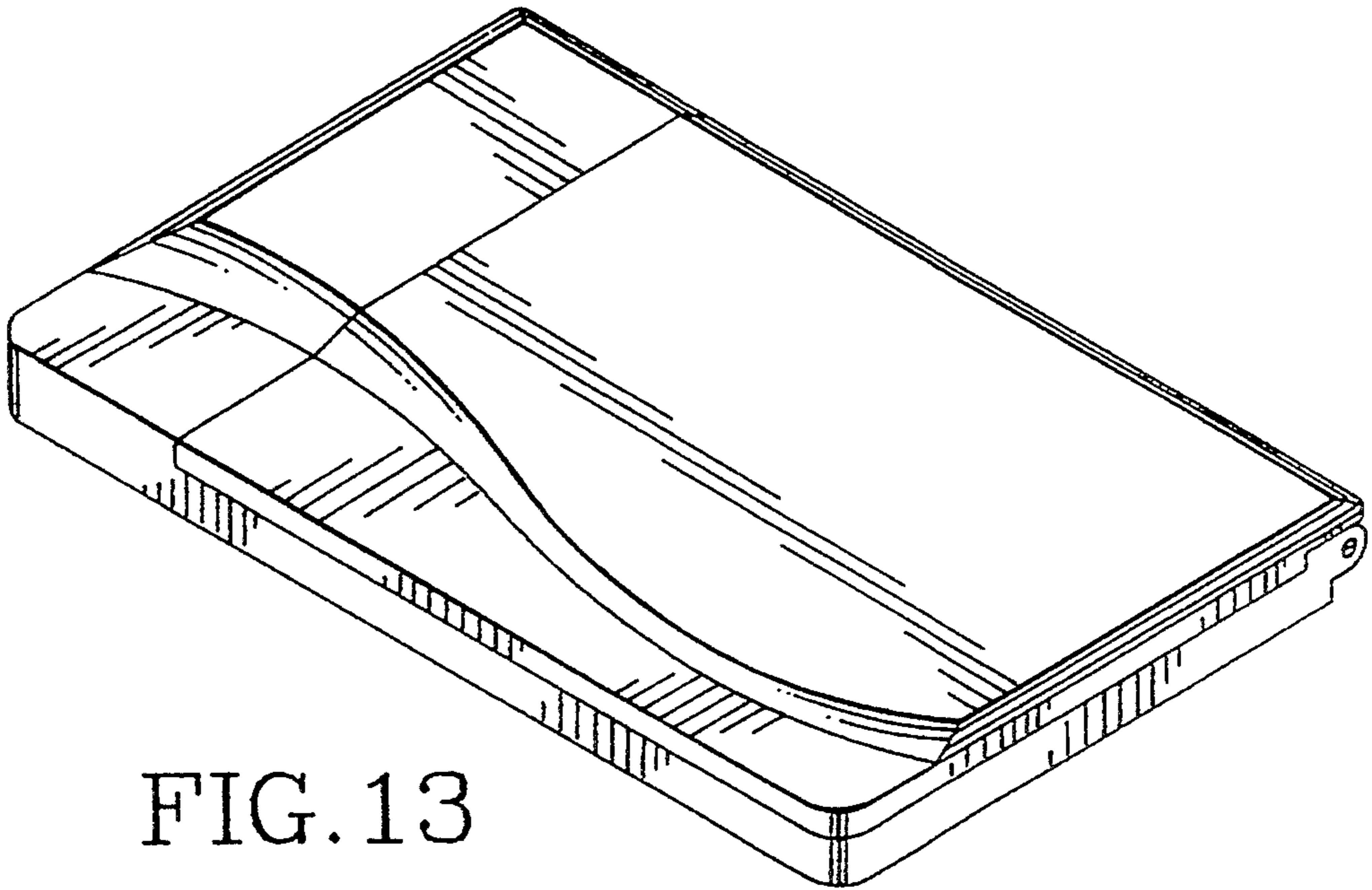


FIG. 13

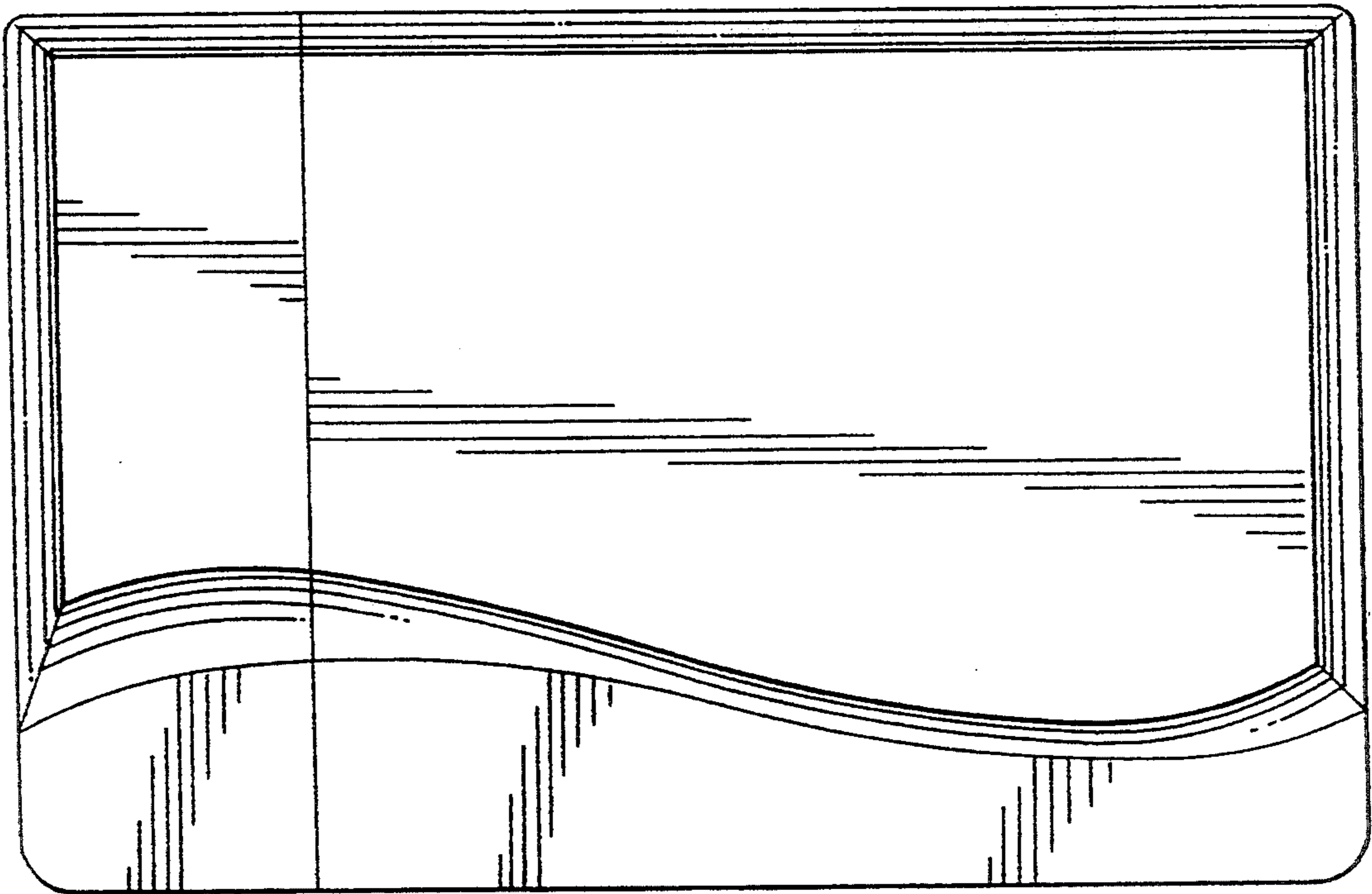


FIG. 14