



US00D360620S

United States Patent [19]

[11] Patent Number: **Des. 360,620**

Gehrs et al.

[45] Date of Patent: **** Jul. 25, 1995**

[54] ENCLOSURE FOR AN ELECTRICAL APPARATUS

[75] Inventors: **Donald F. Gehrs, Brandon; Percy A. White, Clinton, both of Miss.**

[73] Assignee: **Eaton Corporation, Cleveland, Ohio**

[**] Term: **14 Years**

[21] Appl. No.: **716,596**

[22] Filed: **Jun. 17, 1991**

[52] U.S. Cl. **D13/184; D13/152**

[58] Field of Search **D13/152, 160, 184; D8/353; 220/3.2, 3.3, 3.8; 200/50 A; 174/58; 361/331, 355, 356**

[56] References Cited

U.S. PATENT DOCUMENTS

D. 194,977	4/1963	Carter et al.	D13/160 X
D. 222,473	10/1971	Zecca	D13/160
D. 327,212	6/1992	Hubben et al.	D8/353
2,656,948	10/1953	McGee	220/3.8 X
2,680,533	6/1954	Cole	220/3.8 X
3,018,341	1/1962	Bassani	200/50 AX
3,278,807	11/1966	Galante et al.	317/119
3,801,875	4/1974	Morby et al.	317/120
3,852,514	12/1974	Lauben	174/58
3,895,179	7/1975	Wyatt	361/356 X
3,953,933	5/1976	Goldstein	D8/353 X
4,118,754	10/1978	Duggan	361/355
4,675,782	6/1987	Hibbert et al.	361/356
4,688,146	8/1987	Newmark et al.	361/364
4,698,727	10/1987	Hibbert et al.	361/356
4,717,987	1/1988	Newmark et al.	361/351
4,851,963	7/1989	Miller et al.	361/356

4,916,574	4/1990	Hancock et al.	361/361
4,931,898	5/1990	Cole	361/354
4,931,902	5/1990	Cole	361/361
4,934,334	6/1990	Breese	D8/353 X
4,962,443	10/1990	Cole	361/356
5,148,348	9/1992	White	361/356

FOREIGN PATENT DOCUMENTS

0463460	3/1937	United Kingdom	200/50 A
---------	--------	----------------------	----------

OTHER PUBLICATIONS

Weatherproof power outlet enclosure on p. 12 of Hoffman Engineering Corp. catalog copyright 1962.

Electrical enclosures on p. 92 of 1987 Bennett Brass & Copper catalog.

Primary Examiner—Wallace R. Burke

Assistant Examiner—Joel Sincavage

Attorney, Agent, or Firm—Martin J. Moran

[57] CLAIM

The ornamental design for an enclosure for an electrical apparatus, as shown and described.

DESCRIPTION

FIG. 1 is a front and upper left perspective view of an enclosure for an electrical apparatus showing our new design;

FIG. 2 is a rear and lower right perspective view thereof;

FIG. 3 is a front elevational view thereof;

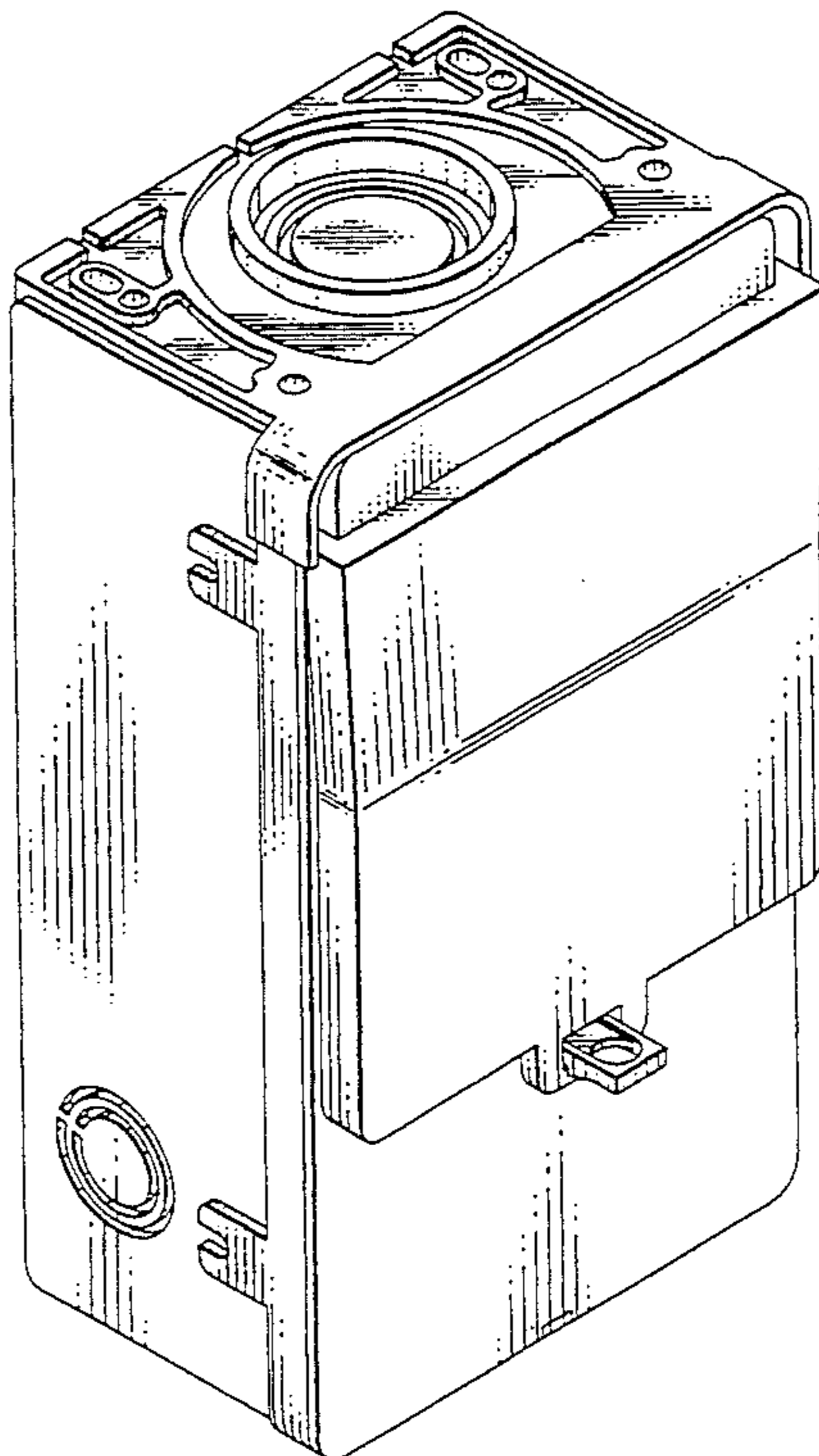
FIG. 4 is a top plan view thereof;

FIG. 5 is a right side elevational view thereof;

FIG. 6 is a rear elevational view thereof;

FIG. 7 is a left side elevational view thereof; and,

FIG. 8 is a bottom plan view thereof.



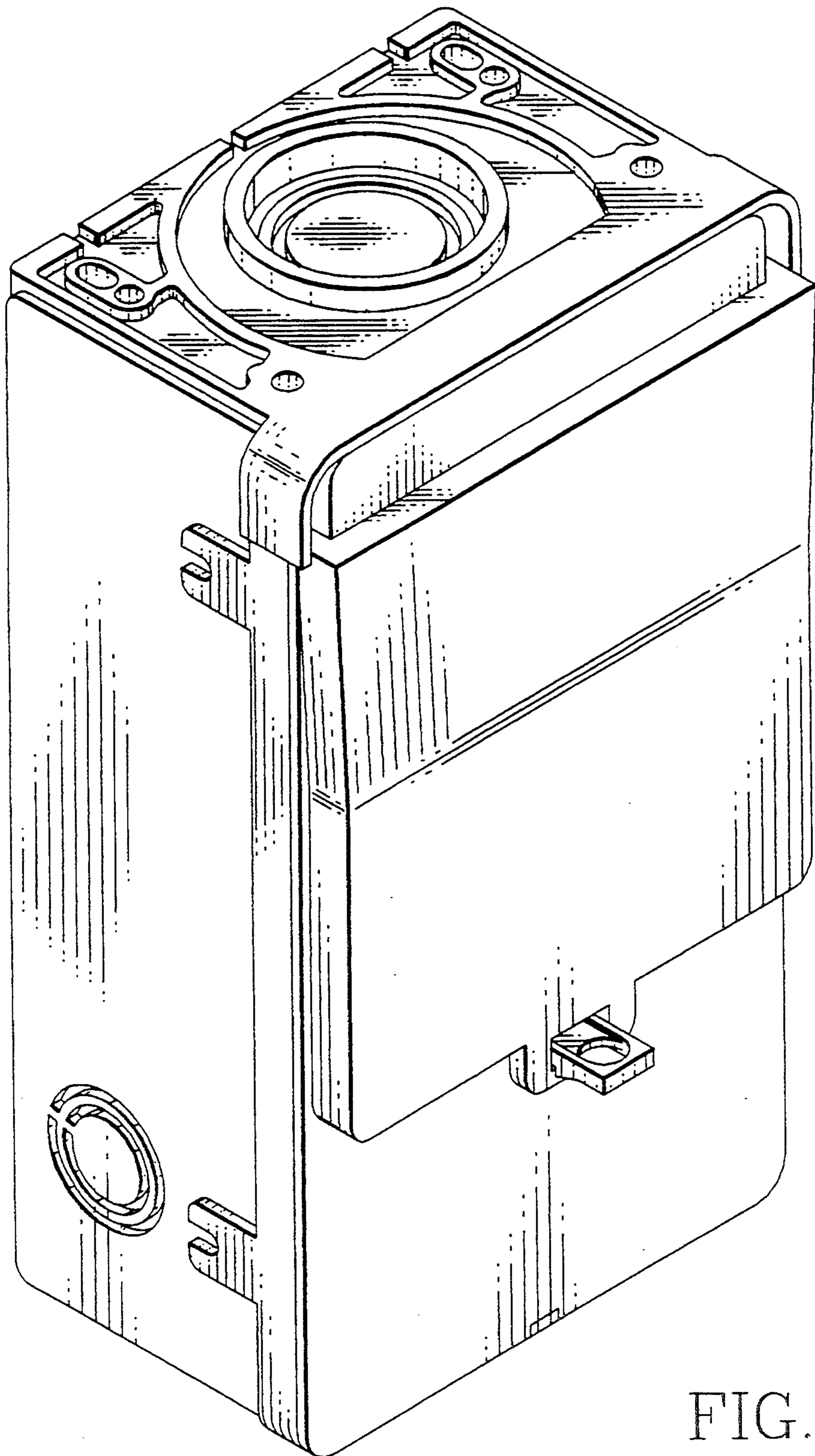
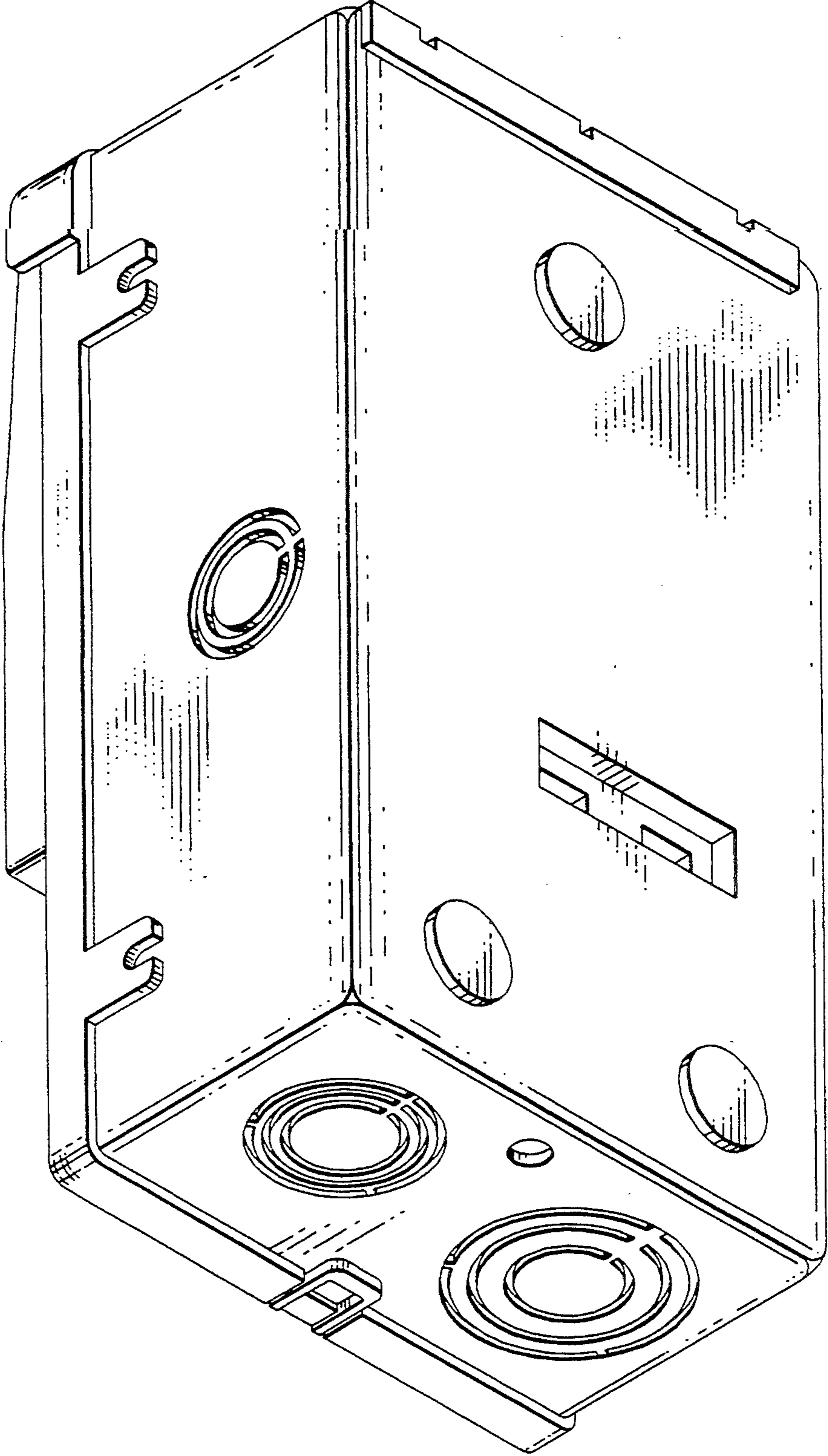


FIG. 1

FIG. 2



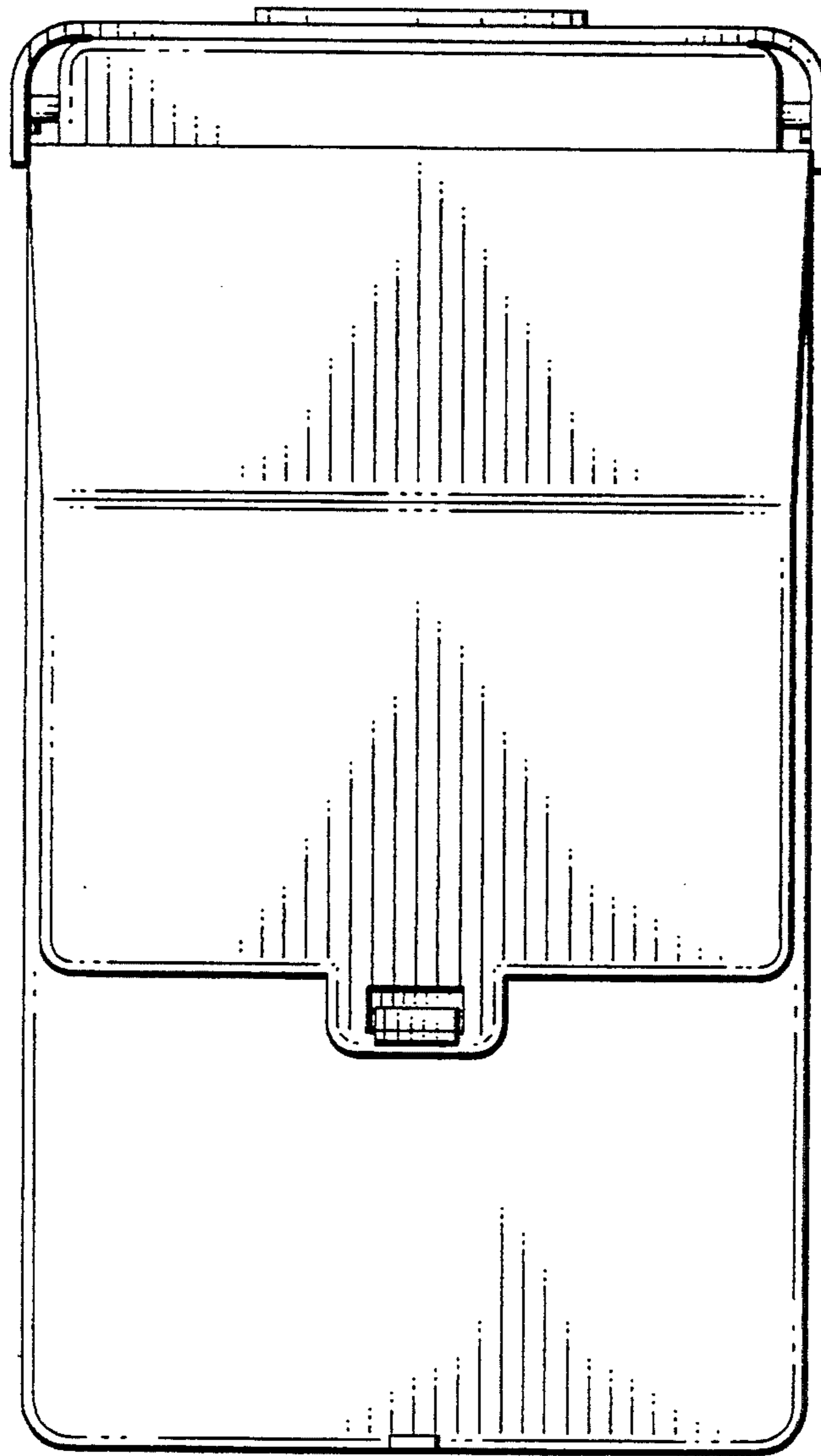


FIG. 3

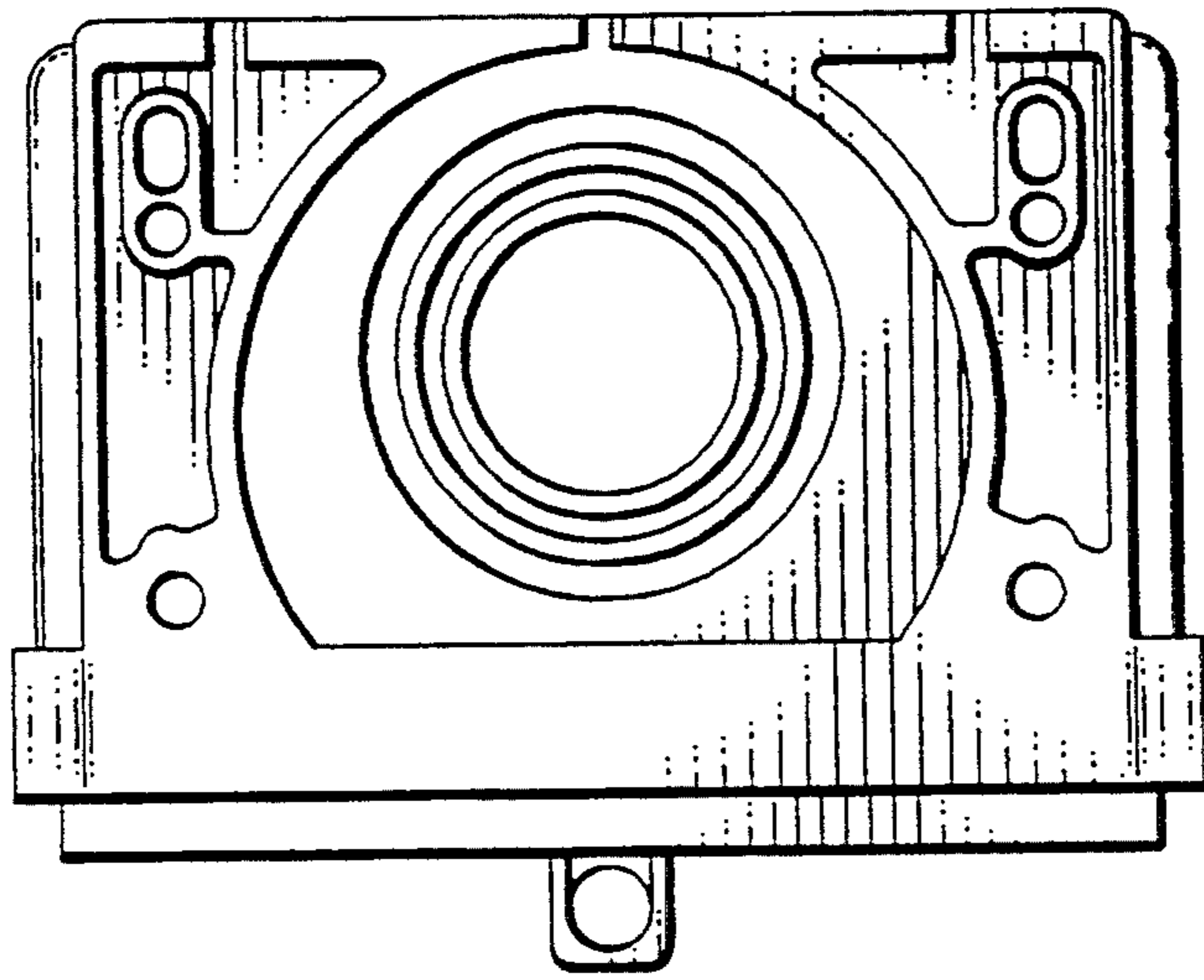


FIG. 4

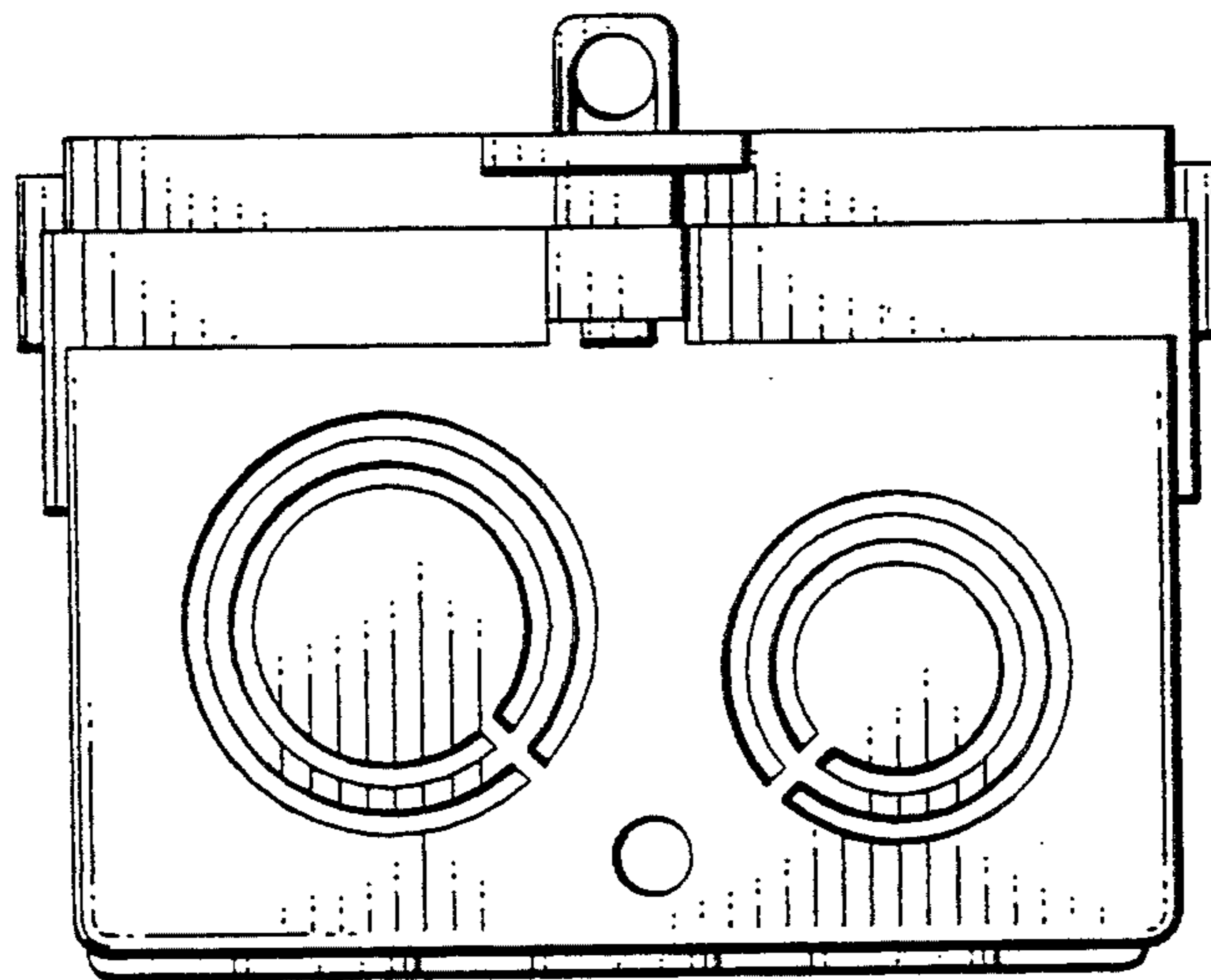


FIG. 8

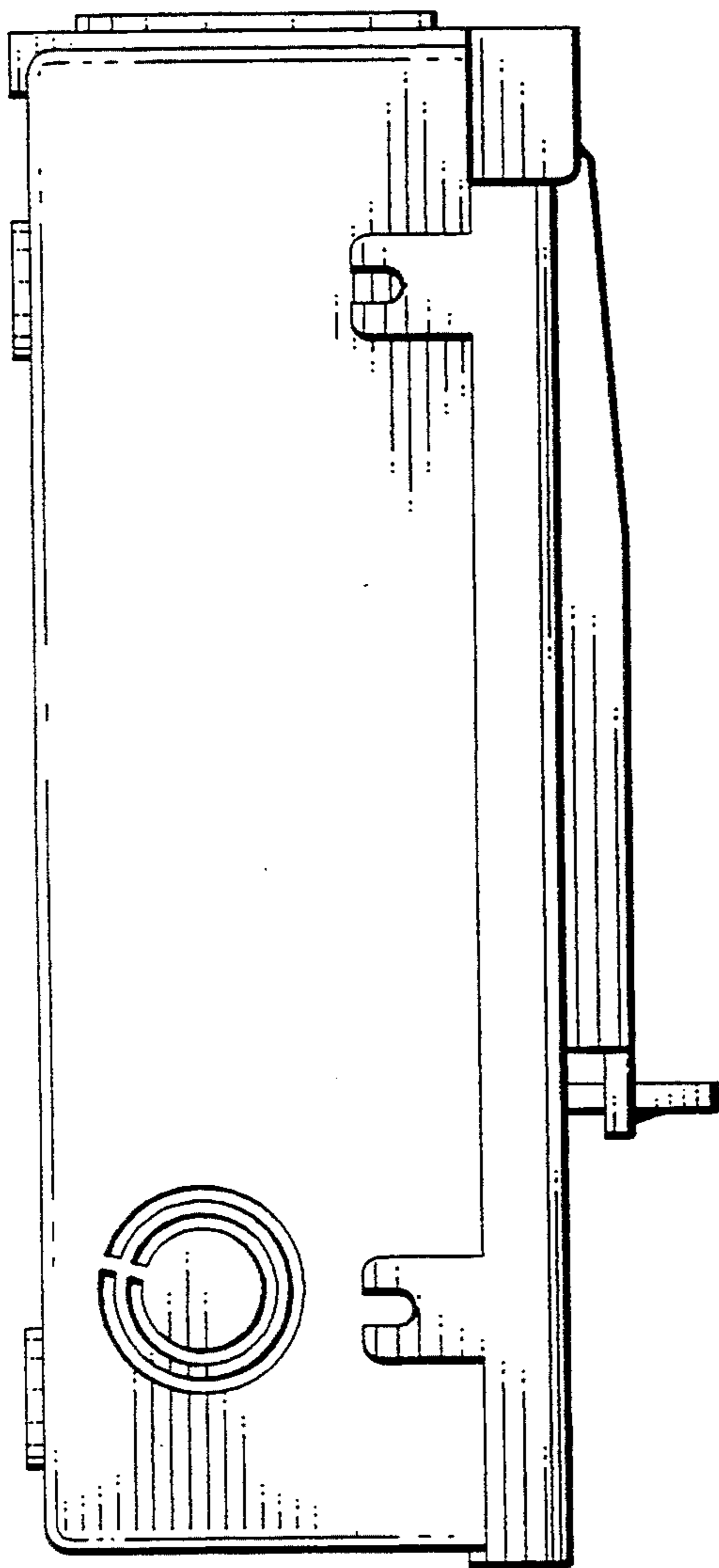


FIG. 7

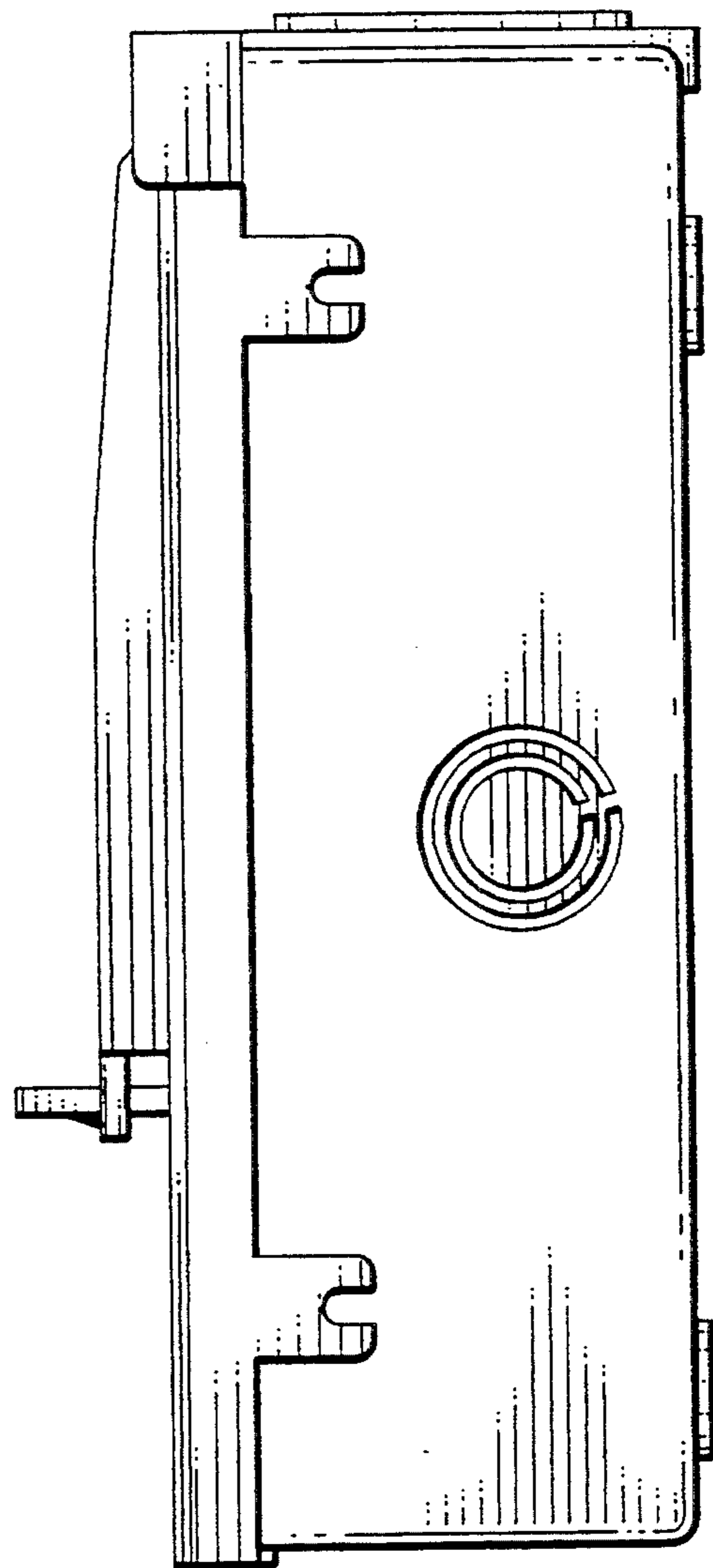


FIG. 5

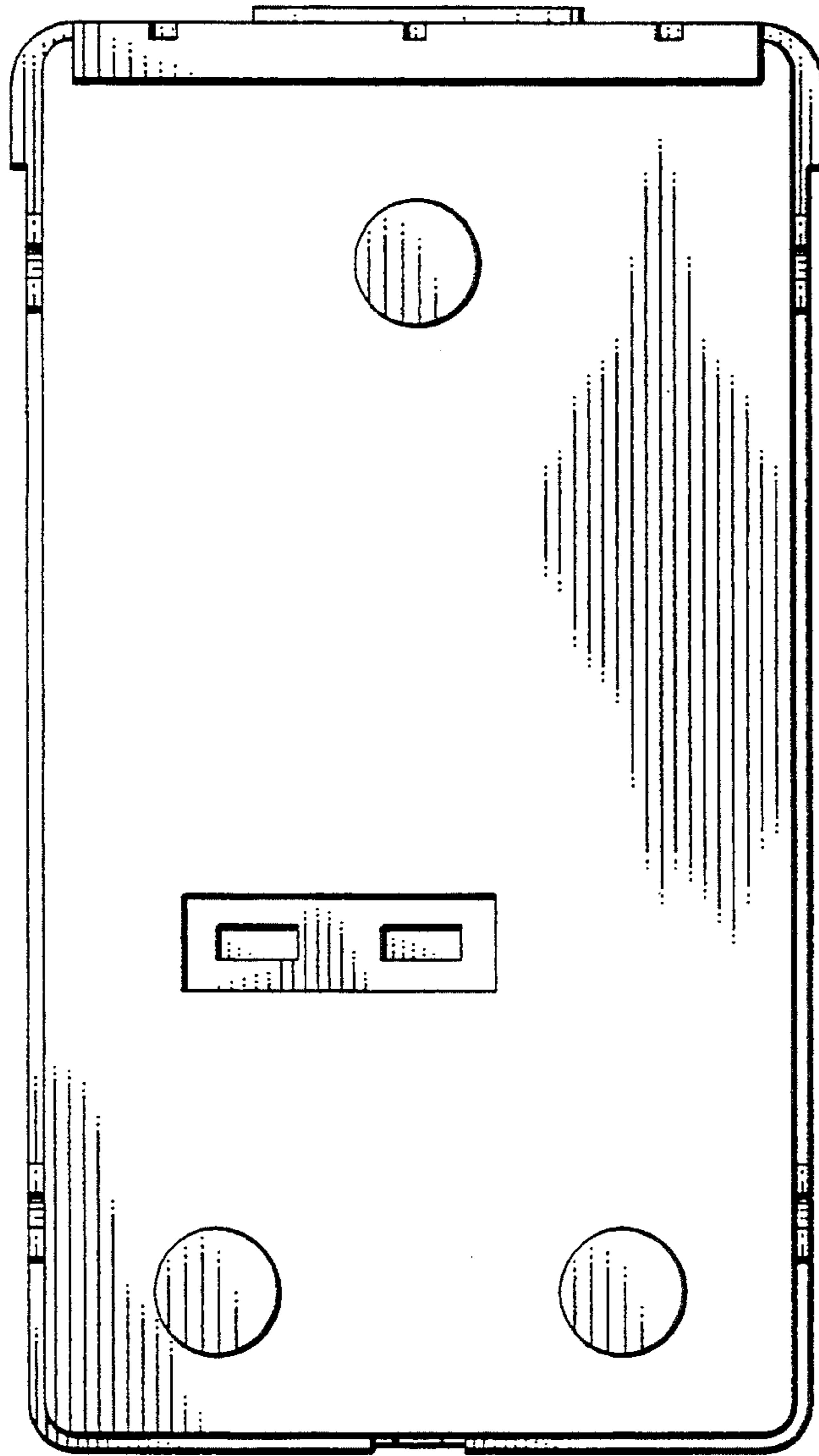


FIG. 6