



US00D360617S

United States Patent [19] Grande

[11] Patent Number: **Des. 360,617**

[45] Date of Patent: **** Jul. 25, 1995**

[54] **COMMUNICATIONS JACK**

[75] Inventor: **Frank A. Grande**, Highland Beach, Fla.

[73] Assignee: **Hose-McCann Telephone Co., Inc.**, Deerfield Beach, Fla.

[**] Term: **14 Years**

[21] Appl. No.: **22,323**

[22] Filed: **May 2, 1994**

[52] U.S. Cl. **D13/133; D13/151**

[58] Field of Search **D13/133, 151; 439/350, 439/378, 551, 569, 571, 572, 573, 578, 581, 583, 615, 661, 662, 784, 791, 801**

FOREIGN PATENT DOCUMENTS

277035 8/1988 European Pat. Off. 439/578
159975 6/1989 Japan 439/581
2224890 5/1990 United Kingdom 439/375

OTHER PUBLICATIONS

Square flange backshells on p. 11Q of *Molex Catalog No. 890 2nd Edition*.

VHF Deck/Bulkhead connector, item 308087-10 on p. 123 of *Boat/U.S.*, 1992.

Primary Examiner—Joel Sincavage

Attorney, Agent, or Firm—Weingram & Zall

[57] **CLAIM**

The ornamental design for a communications jack, as shown and described.

DESCRIPTION

FIG. 1 is a perspective view of my new communications jack design according to the present invention; FIG. 2 is front plan view; FIG. 3 is a side elevational view, the opposite side elevational view being identical thereto; FIG. 4 is another side elevational view, the opposite other side elevational view being identical thereto; and, FIG. 5 is a rear plan view.

[56] **References Cited**

U.S. PATENT DOCUMENTS

3,393,592	12/1966	Blonder	439/581
3,452,316	6/1969	Panek et al.	439/350 X
4,662,703	5/1987	Forney, Jr. et al.	439/578
4,702,537	10/1987	Mattingly et al.	439/350 X
4,795,352	1/1989	Capp et al.	439/581 X
4,995,815	2/1991	Buchanan et al.	439/581 X
5,001,443	3/1991	Martin, III	439/581 X

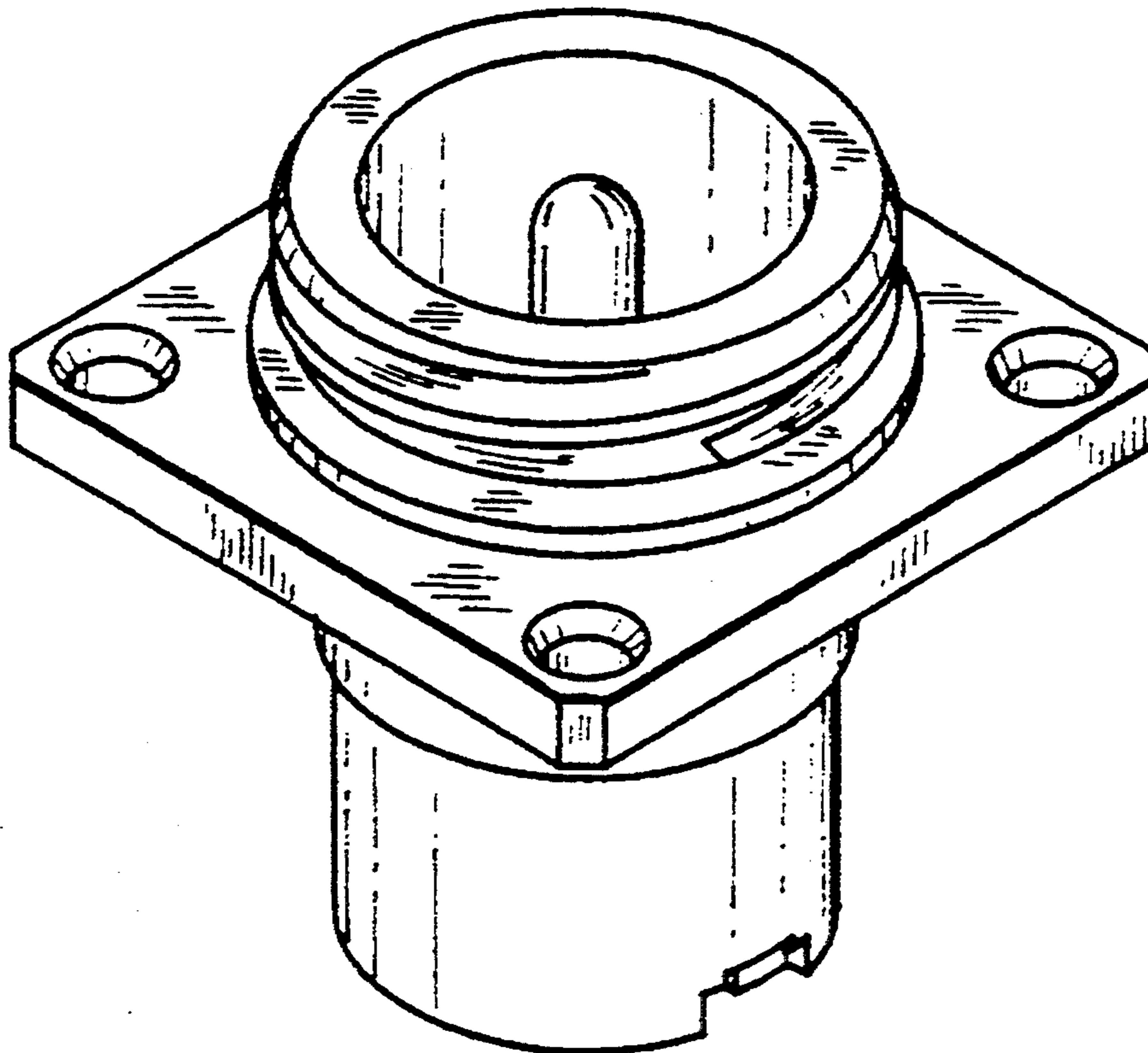


FIG. 1

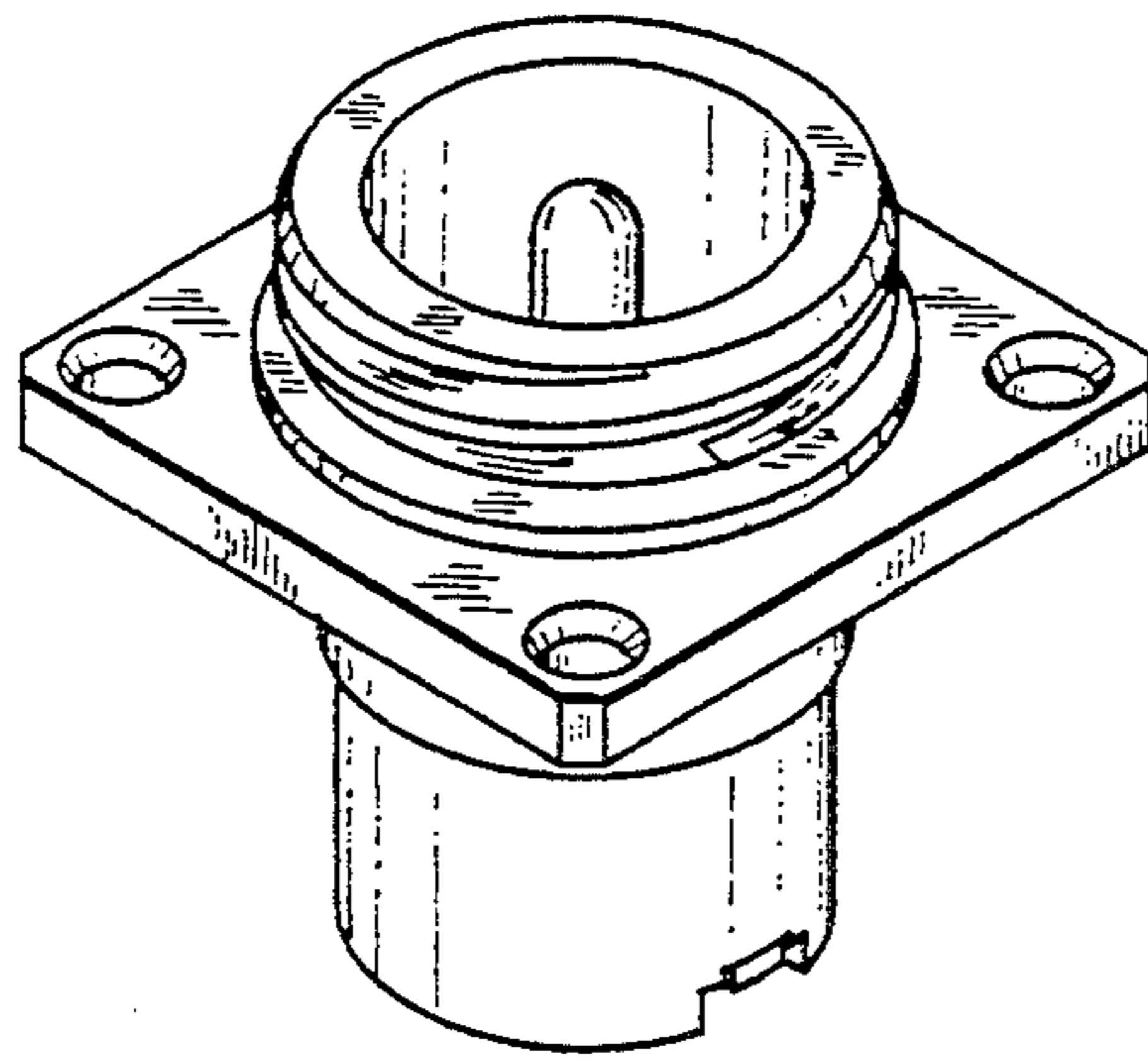


FIG. 2

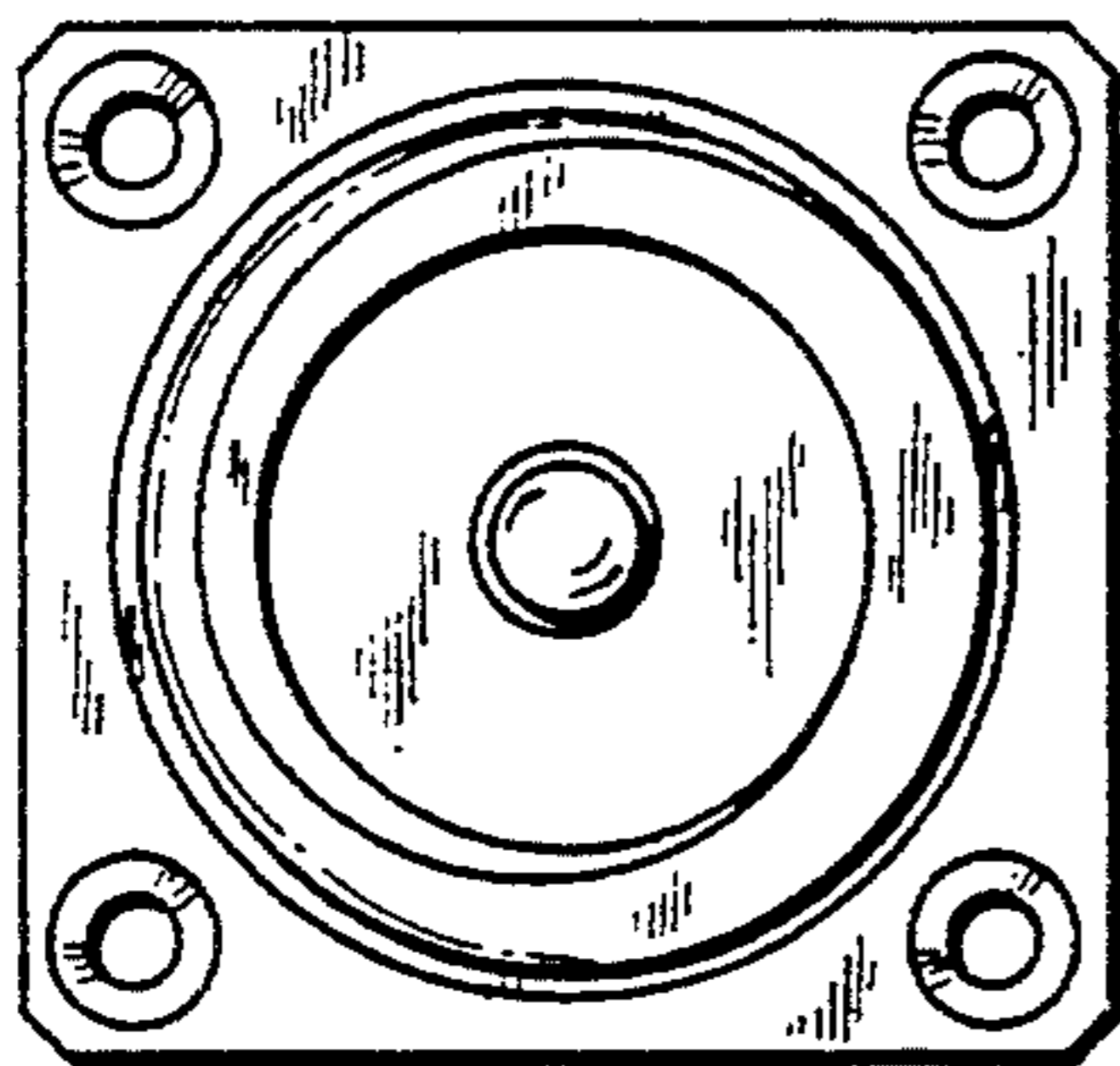


FIG. 3

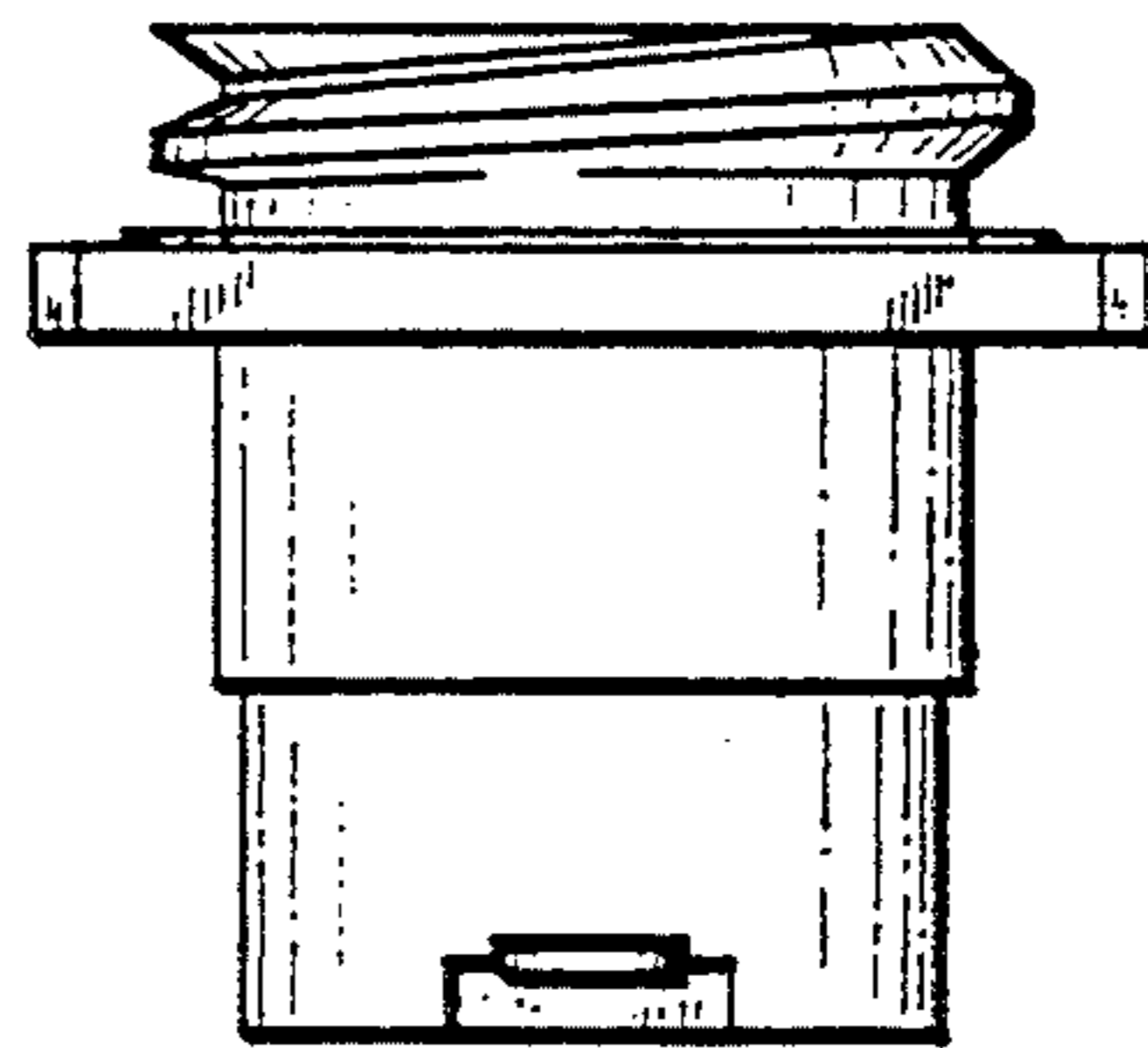


FIG. 4

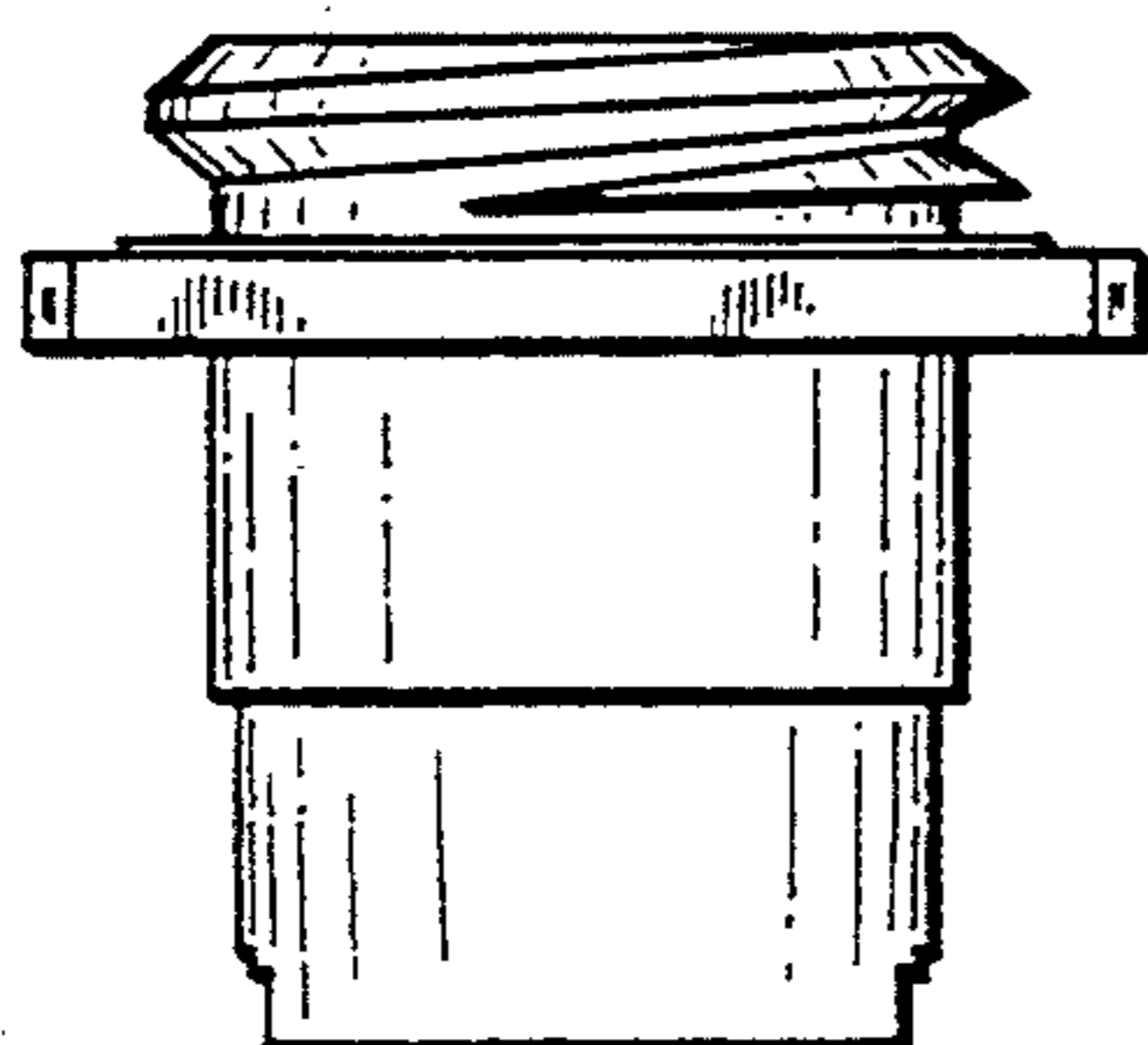


FIG. 5

