



US00D360615S

United States Patent [19]

[11] Patent Number: **Des. 360,615**

Sakashita et al.

[45] Date of Patent: **** Jul. 25, 1995**

[54] SMALL ELECTRIC MOTOR WITH MOUNTING FLANGE

[75] Inventors: **Hiroshi Sakashita; Yukio Fukuda; Jun Yamashita**, all of Nagano, Japan

[73] Assignee: **Sankyo Seiki Mfg., Ltd.**, Nagano, Japan

[**] Term: **14 Years**

[21] Appl. No.: **17,073**

[22] Filed: **Jan. 3, 1994**

[30] Foreign Application Priority Data

Aug. 19, 1993 [JP] Japan 5-25056

Aug. 19, 1993 [JP] Japan 5-25057

[52] U.S. Cl. **D13/112**

[58] Field of Search **D13/112; 310/12, 237, 310/268, 227, 58, 40 MM**

[56] References Cited

U.S. PATENT DOCUMENTS

D. 238,177	12/1975	Ohishi	D13/112
D. 291,797	9/1987	Spiegelstein	D13/112
D. 294,141	2/1988	Ueda	D13/112
D. 301,454	6/1989	Hara et al.	D13/112
3,458,740	7/1969	Kaneko	310/90
4,093,897	6/1978	Fujita et al.	D13/112
4,476,409	10/1984	Fukami	310/268

FOREIGN PATENT DOCUMENTS

2-71461 3/1990 Japan .

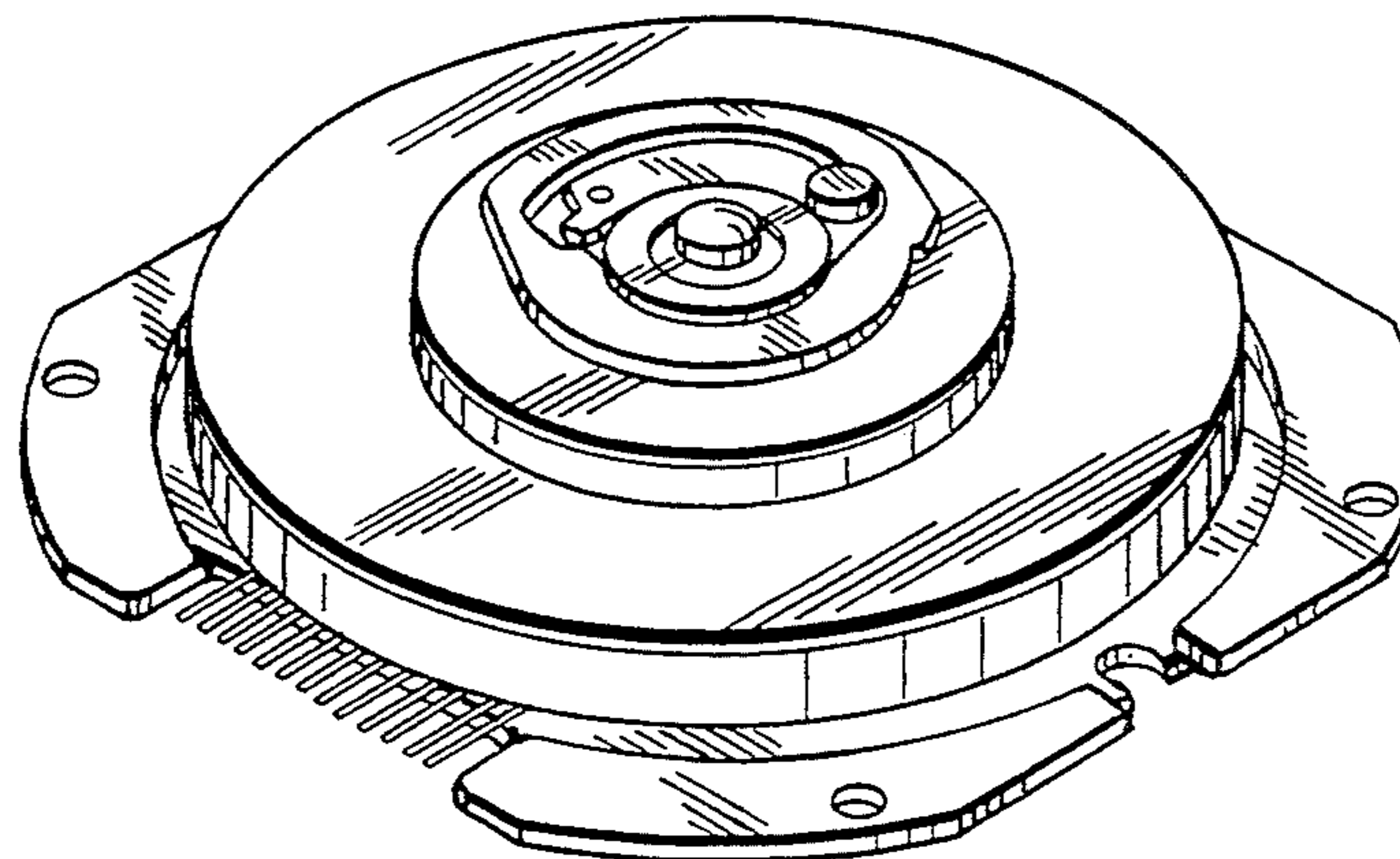
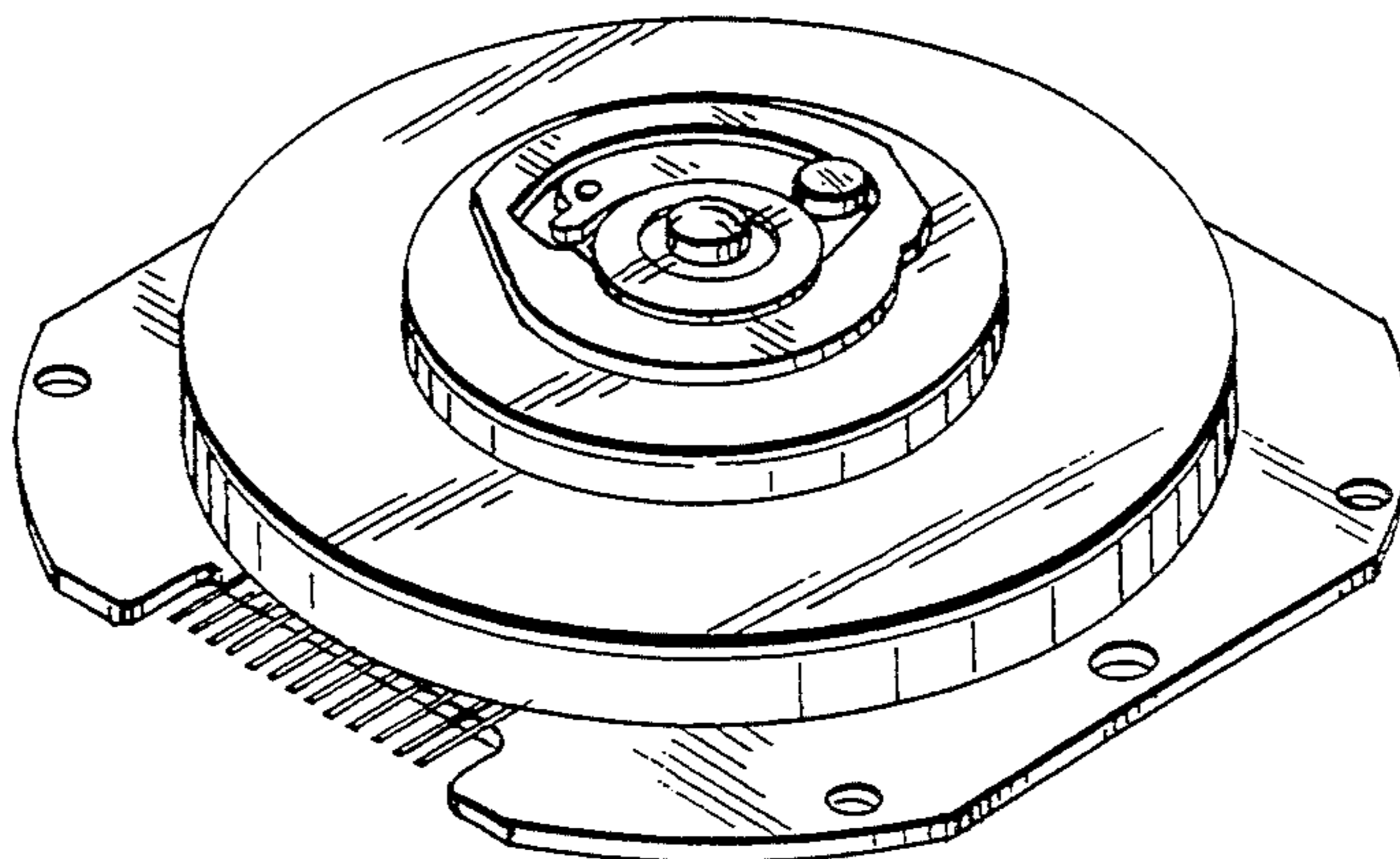
Primary Examiner—Brian N. Vinson
Assistant Examiner—Robin V. Taylor
Attorney, Agent, or Firm—McAulay Fisher Nissen
Goldberg & Kiel

[57] CLAIM

The ornamental design for a small electrical motor with mounting flange, as shown and described.

DESCRIPTION

FIG. 1 is a top perspective view of a first embodiment of the electrical motor showing our new design; FIG. 2 is a top view of the FIG. 1 embodiment; FIG. 3 is a side view of the FIG. 1 embodiment; FIG. 4 is a side view taken orthogonal to the FIG. 3 view of the FIG. 1 embodiment; FIG. 5 is a bottom plan view of the FIG. 1 embodiment; FIG. 6 is a top perspective view of a second embodiment of the electrical motor showing our new design; FIG. 7 is a top view of the FIG. 6 embodiment; FIG. 8 is a side view of the FIG. 6 embodiment; FIG. 9 is a side view taken orthogonal to the FIG. 8 view of the FIG. 6 embodiment; and, FIG. 10 is a bottom plan view of the FIG. 9 embodiment.



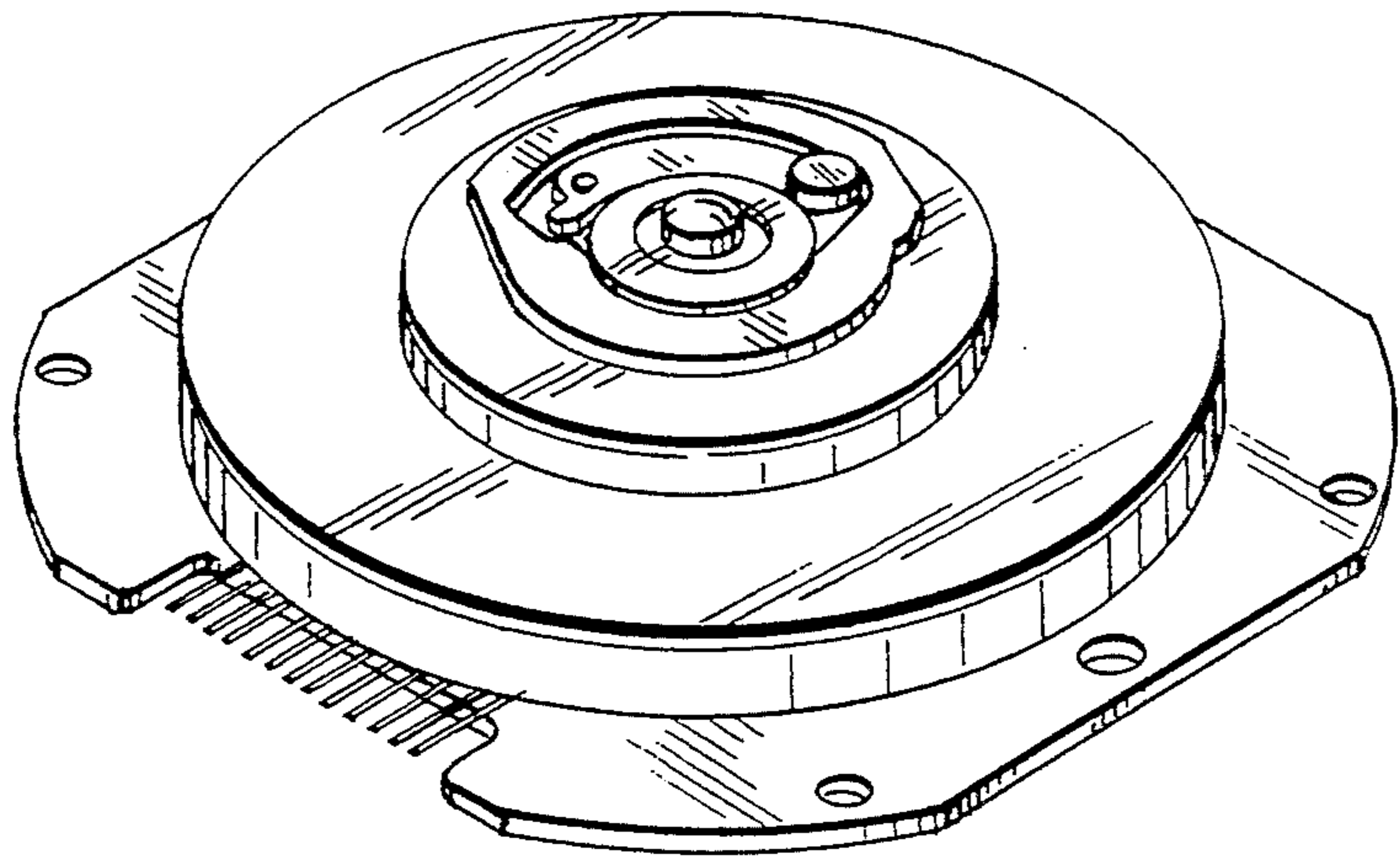


FIG. 1

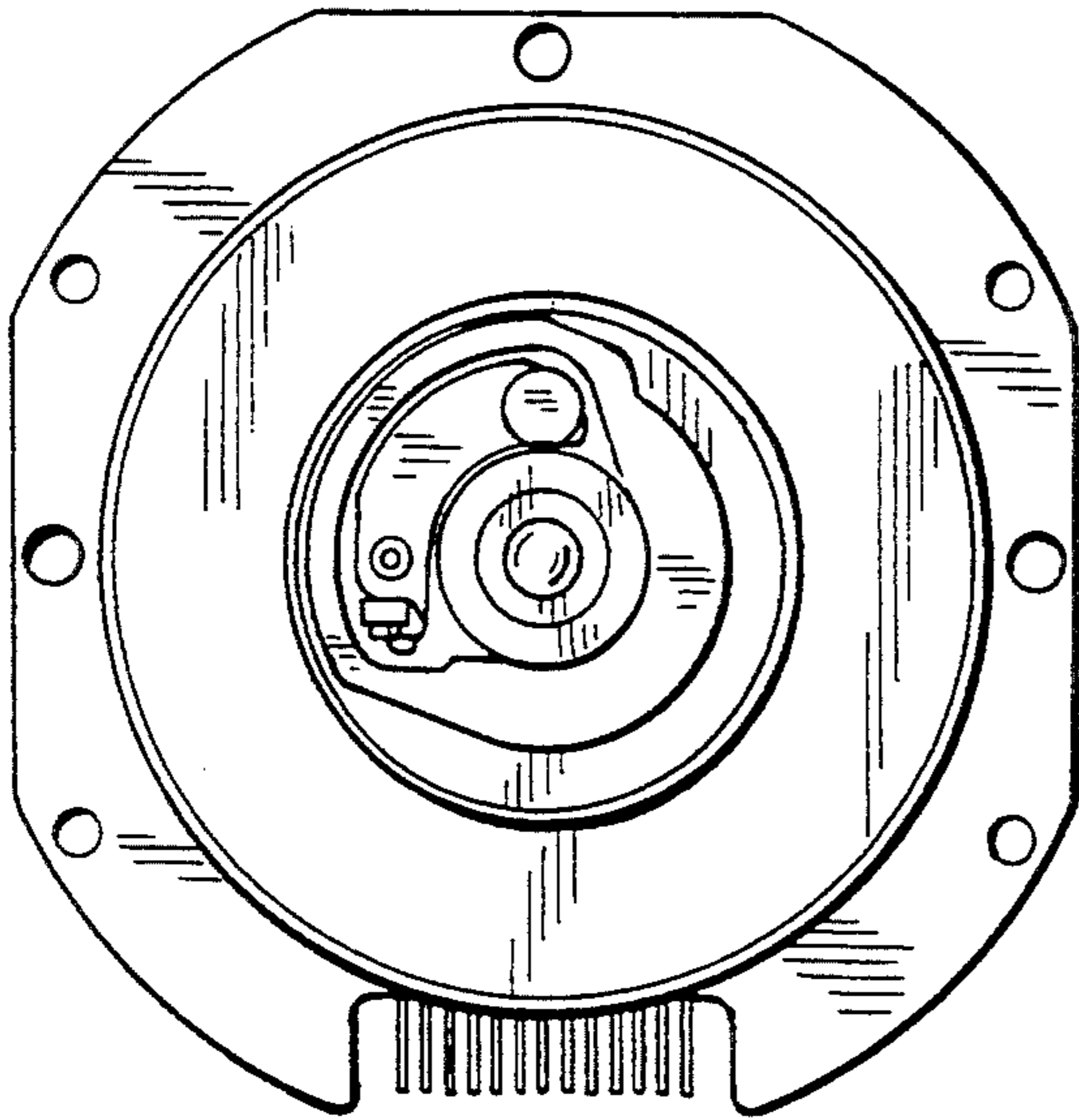


FIG. 2

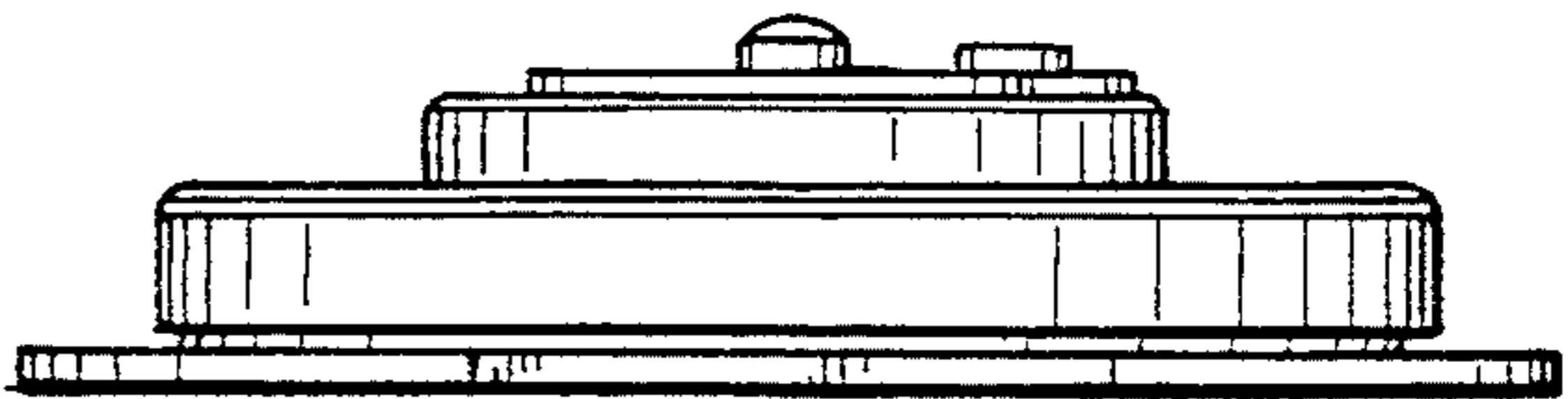


FIG. 3

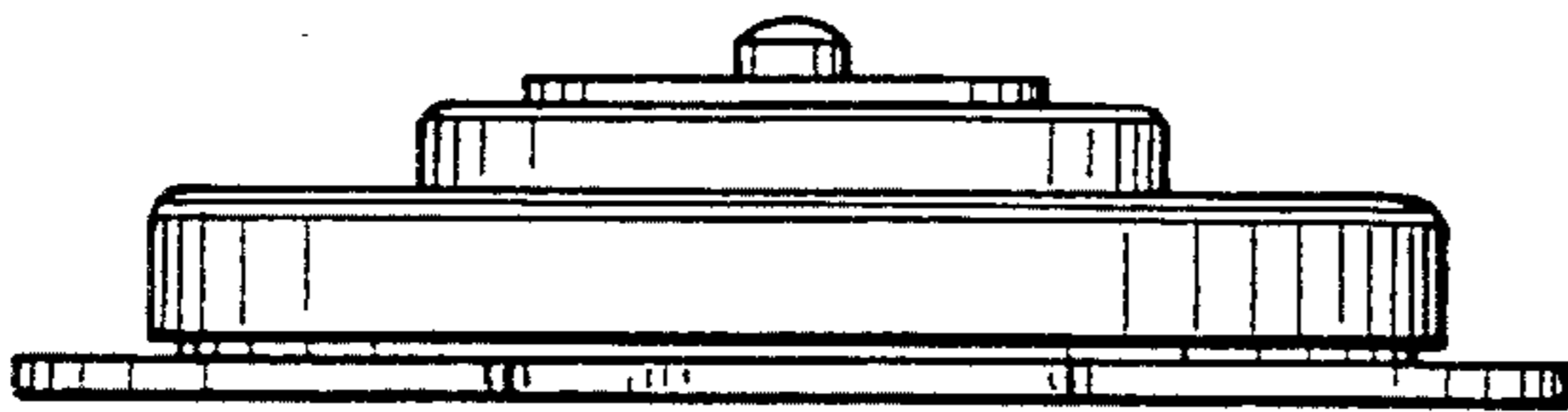


FIG. 4

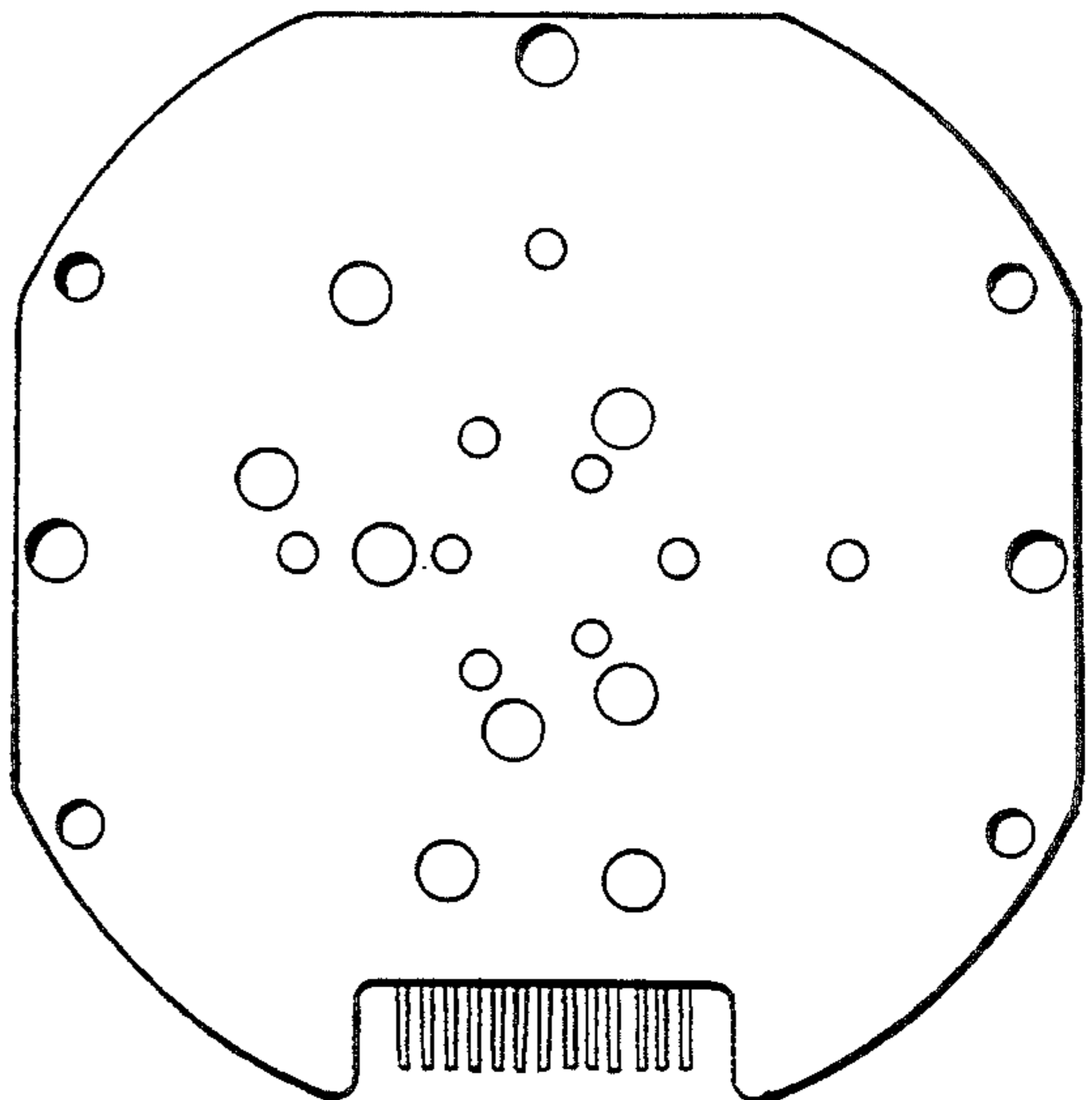


FIG. 5

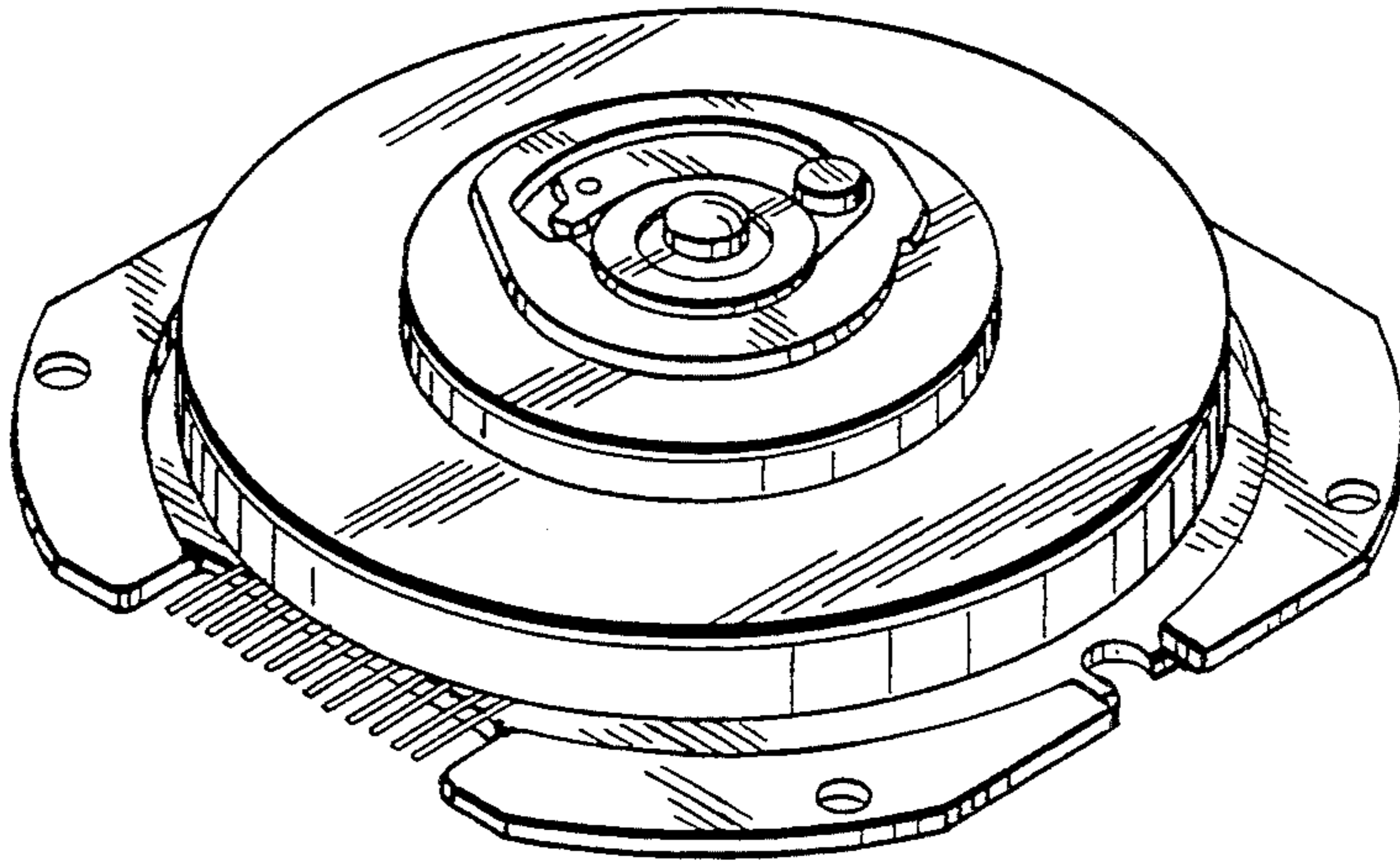


FIG. 6

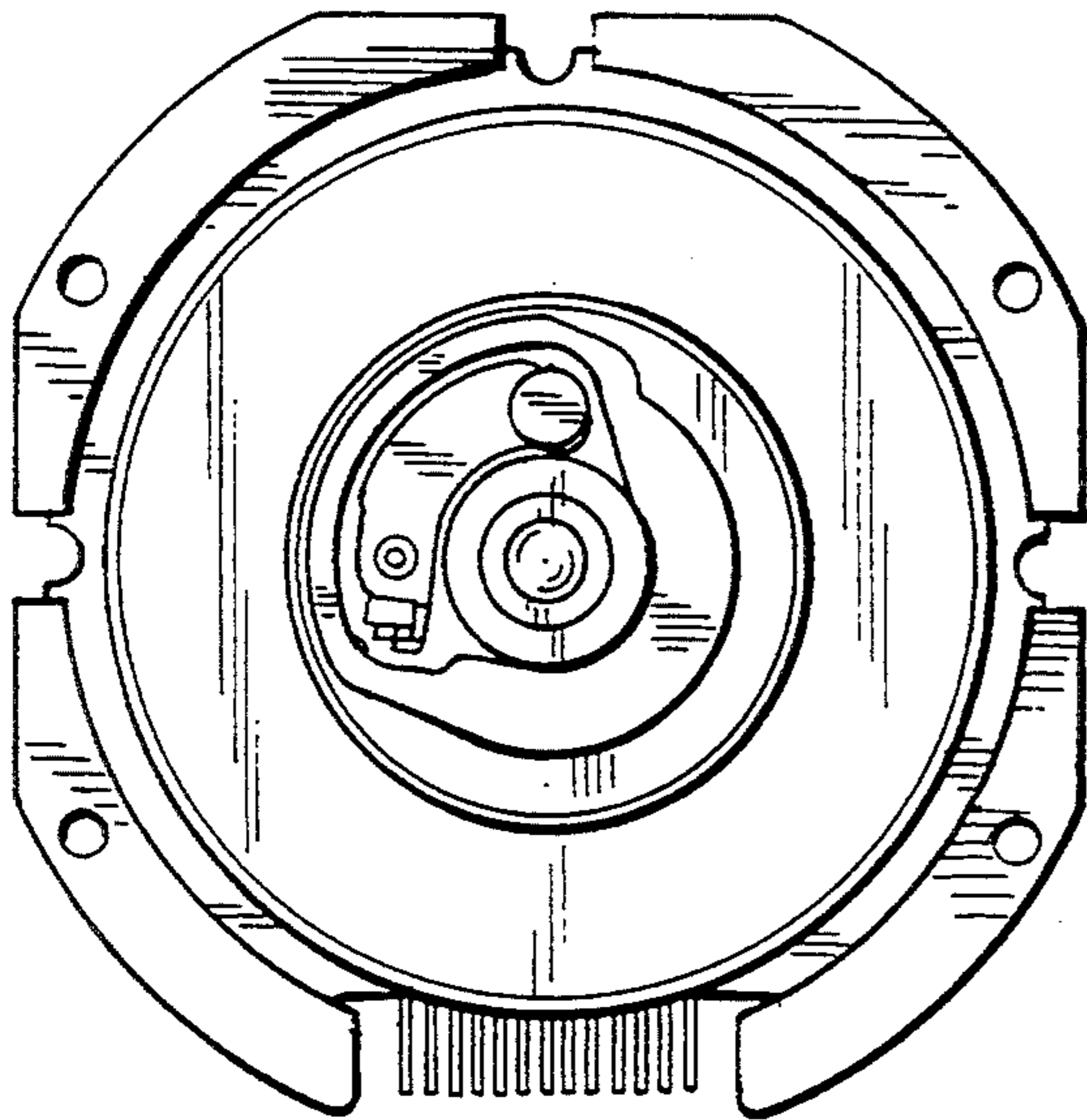


FIG. 7

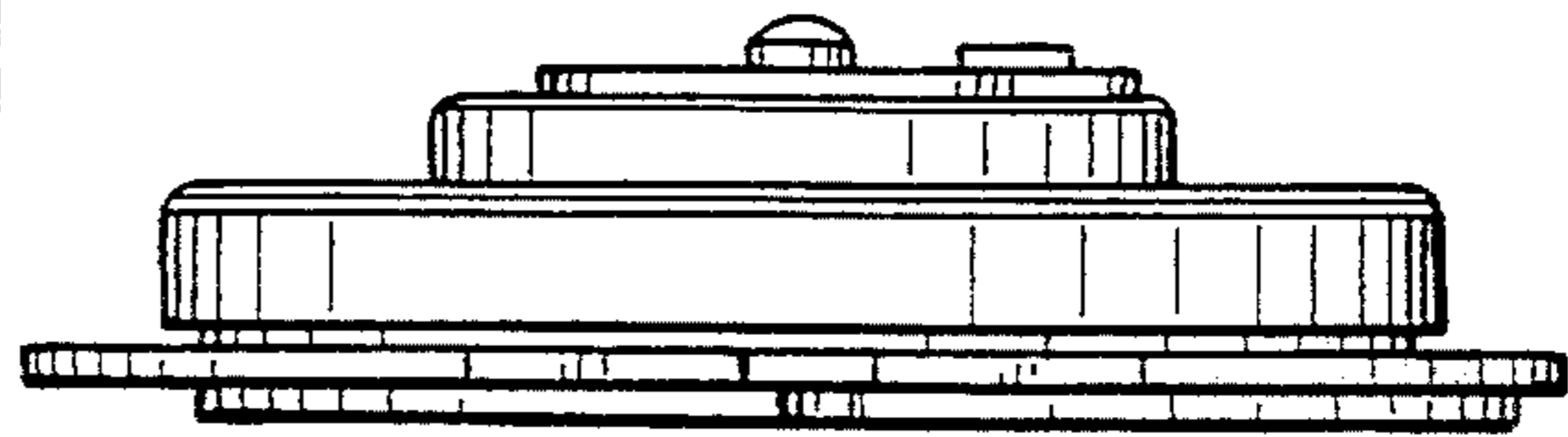


FIG. 8

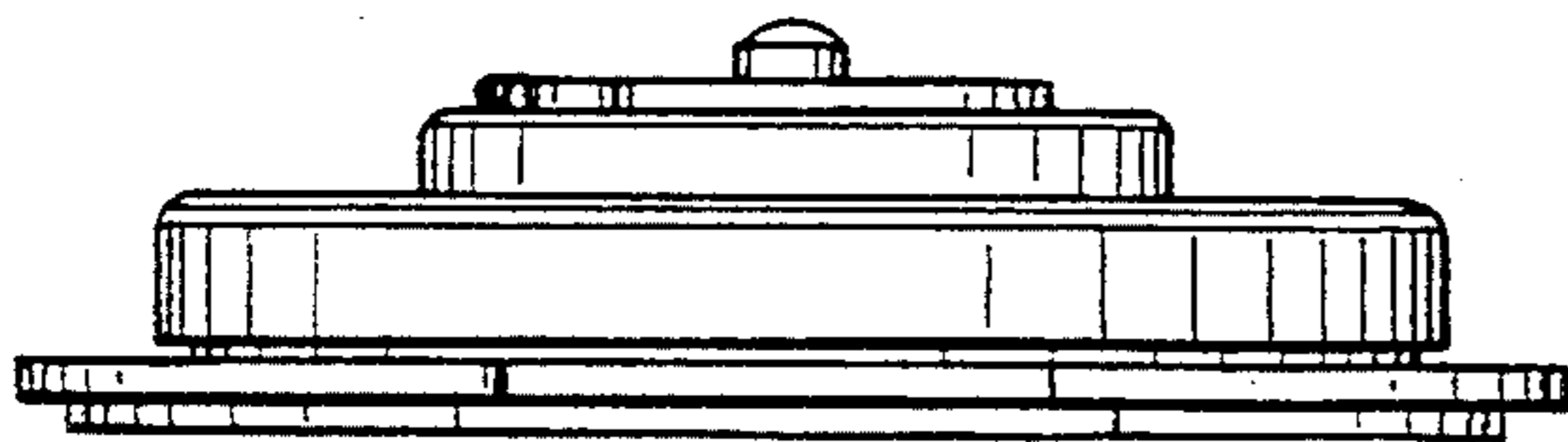


FIG. 9

FIG. 10

