



US00D360604S

United States Patent [19]

[11] Patent Number: **Des. 360,604**

Weder et al.

[45] Date of Patent: **** Jul. 25, 1995**

[54] FLOWER POT COVER

5,076,011 12/1991 Stehouwer D11/164
5,117,584 6/1992 Ottenwalder et al. 47/72

[75] Inventors: **Donald E. Weder; Joseph G. Straeter,**
both of Highland, Ill.

FOREIGN PATENT DOCUMENTS

[73] Assignee: **Highland Supply Corporation,**
Highland, Ill.

2489126 3/1982 France 47/72
2603159 4/1988 France .

[**] Term: **14 Years**

OTHER PUBLICATIONS

[21] Appl. No.: **953,582**

Exhibit A—Speed Cover® Brochure—The Simple
Solution . . . , ©1989.

[22] Filed: **Sep. 29, 1992**

Primary Examiner—Jeffrey Asch
Attorney, Agent, or Firm—Dunlap & Coddling

Related U.S. Application Data

[57] CLAIM

[63] Continuation-in-part of Ser. No. 781,453, Oct. 21, 1991,
Pat. No. Des. 348,634, which is a continuation-in-part
of Ser. No. 617,454, Nov. 21, 1990, abandoned, and a
continuation-in-part of Ser. No. 411,249, Sep. 22, 1989,
Ser. No. 411,247, Sep. 22, 1989, and Ser. No. 411,245,
Sep. 22, 1989.

The ornamental design for a flower pot cover, as shown
and described.

DESCRIPTION

[52] U.S. Cl. **D11/164; D11/152**
[58] Field of Search D11/143, 149, 152, 153,
D11/154, 155, 156, 164; 47/66, 72; 206/423;
215/100.5; 229/1.5 B, 1.5 R, 4.5, 922, 930,
87.01; 428/27, 35, 542.6, 24

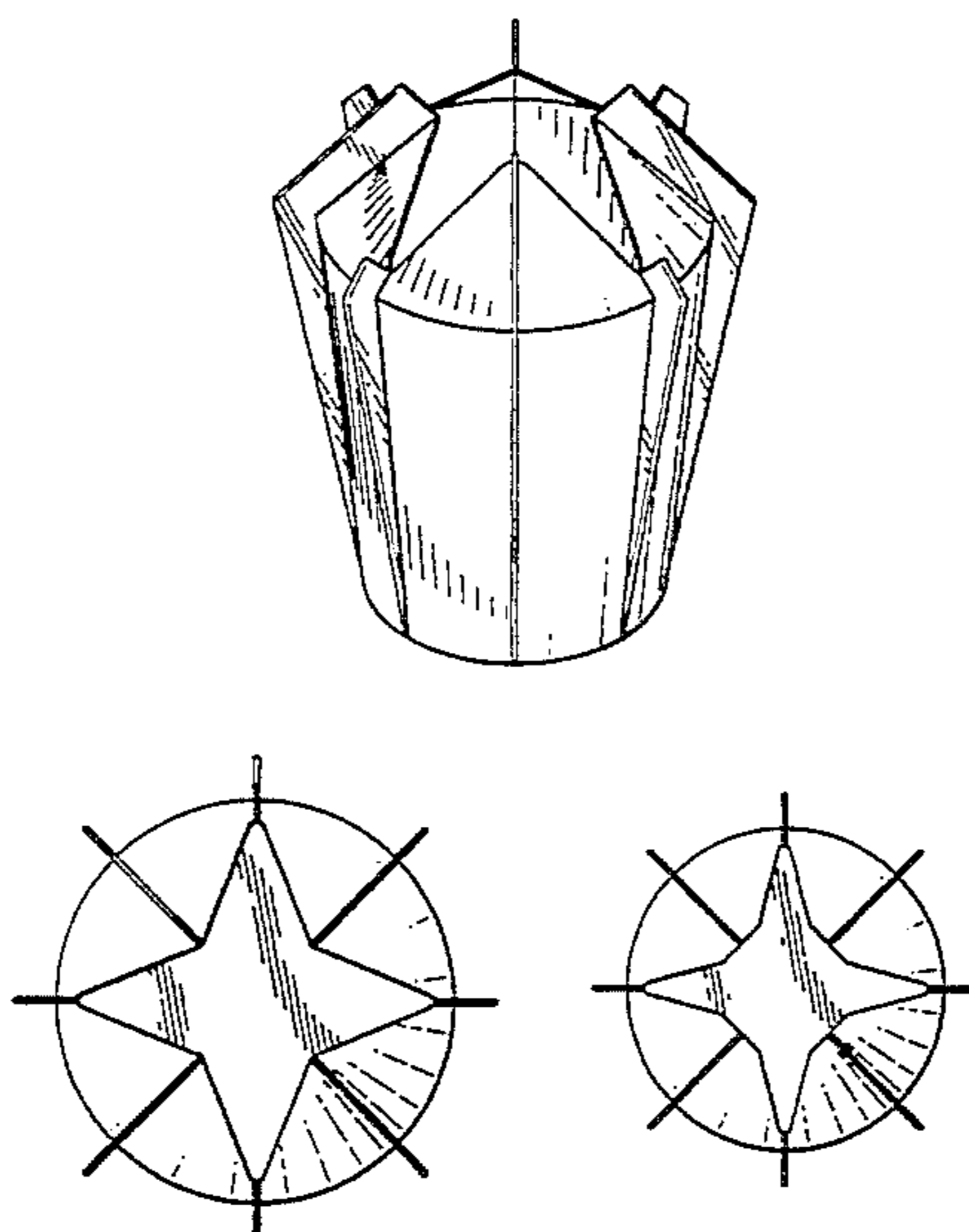
FIG. 1 is a perspective view of our new flower pot
cover design;
FIG. 2 is a side elevational view thereof;
FIG. 3 is a top plan view thereof;
FIG. 4 is a bottom plan view thereof;
FIG. 5 is a side elevational view of a second embodi-
ment of the design of FIG. 1, the only difference being
the size of the base;
FIG. 6 is a side elevational view of a third embodiment
of the design of FIG. 1, the only difference being the
size of the base;
FIG. 7 is a perspective view of a fourth embodiment of
our new flower pot cover design;
FIG. 8 is a side elevational view thereof;
FIG. 9 is a side elevational view of the front thereof;
FIG. 10 is a top plan view thereof;
FIG. 11 is a bottom plan view thereof;
FIG. 12 is a side elevational view of a fifth embodiment
of the design of FIG. 7, the only difference being the
size of the base; and,
FIG. 13 is a side elevational view of a sixth embodiment
of the design of FIG. 7, the only difference being the
size of the base.

[56] References Cited

U.S. PATENT DOCUMENTS

D. 173,003	9/1954	Yellin	D11/149 X
D. 207,174	3/1967	Rowbottam	D11/143
D. 239,192	3/1976	Wiles et al.	D35/3 A
D. 254,659	4/1980	Karotseris	D11/143
D. 317,424	6/1991	Weder	D11/164
D. 318,029	7/1991	Weder	D11/164
D. 324,659	3/1992	Stehouwer	D11/164
D. 348,634	7/1994	Weder et al.	D11/164
1,714,293	5/1929	Batdorf	229/1.5 B
1,951,642	8/1932	Augustin et al.	47/34
3,181,764	5/1965	Lowry	229/1.5 R
4,043,077	8/1977	Stonehocker	47/66
4,347,686	9/1982	Wood	D11/143 X
4,510,712	4/1985	Whitcomb	47/66
4,712,725	12/1987	Moore	229/8

The flower pot cover has no substantial thickness.



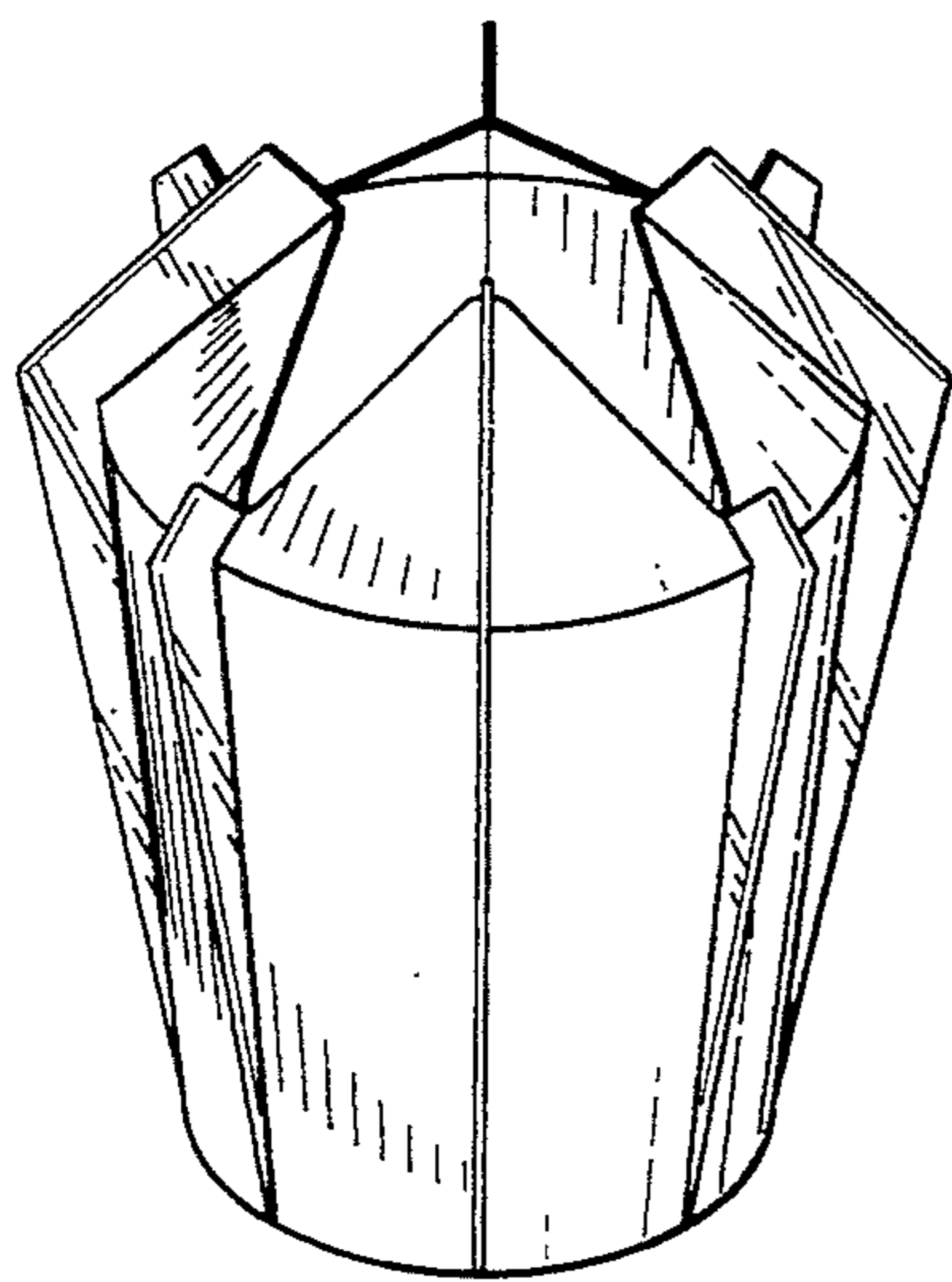


FIG. 1

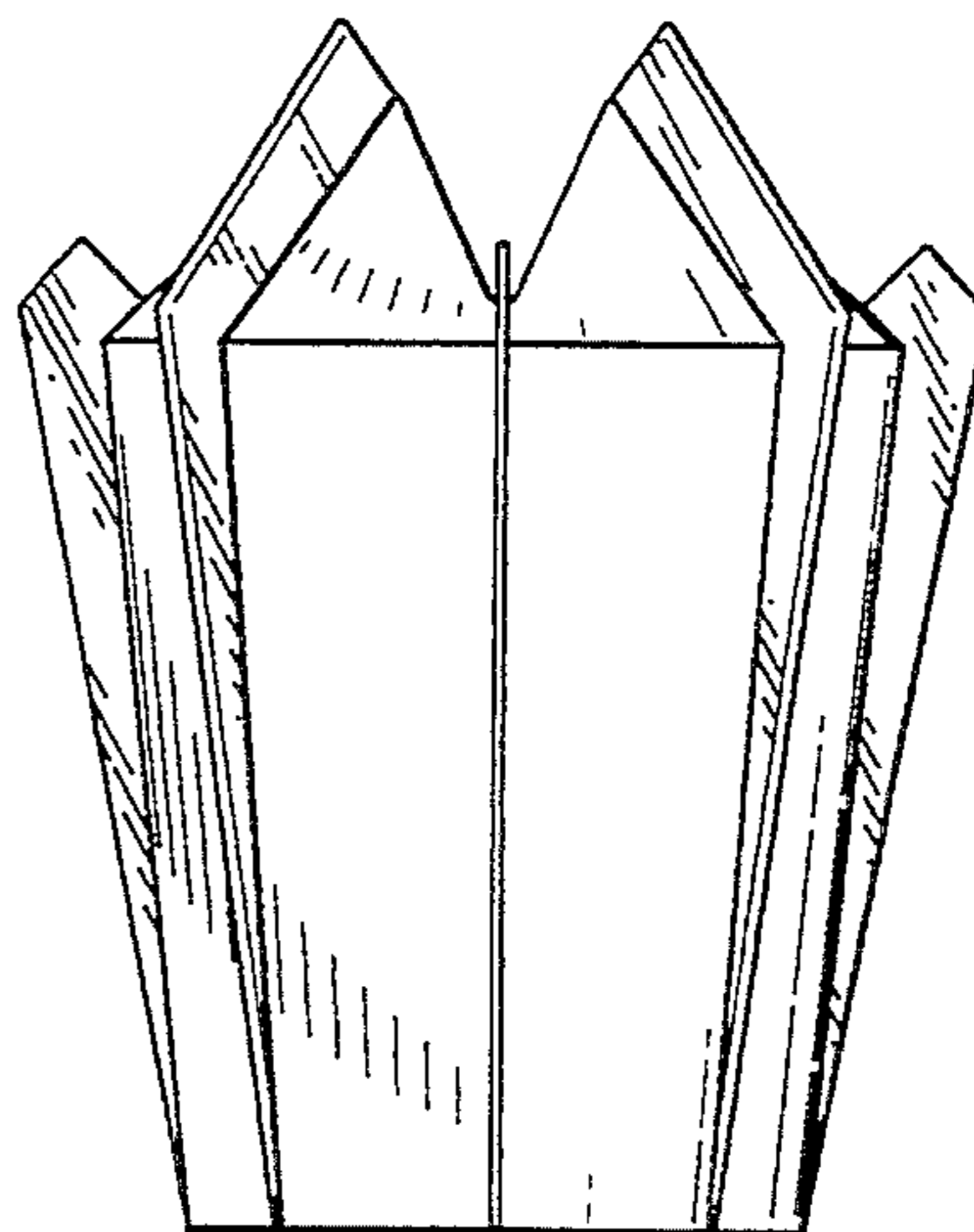


FIG. 2

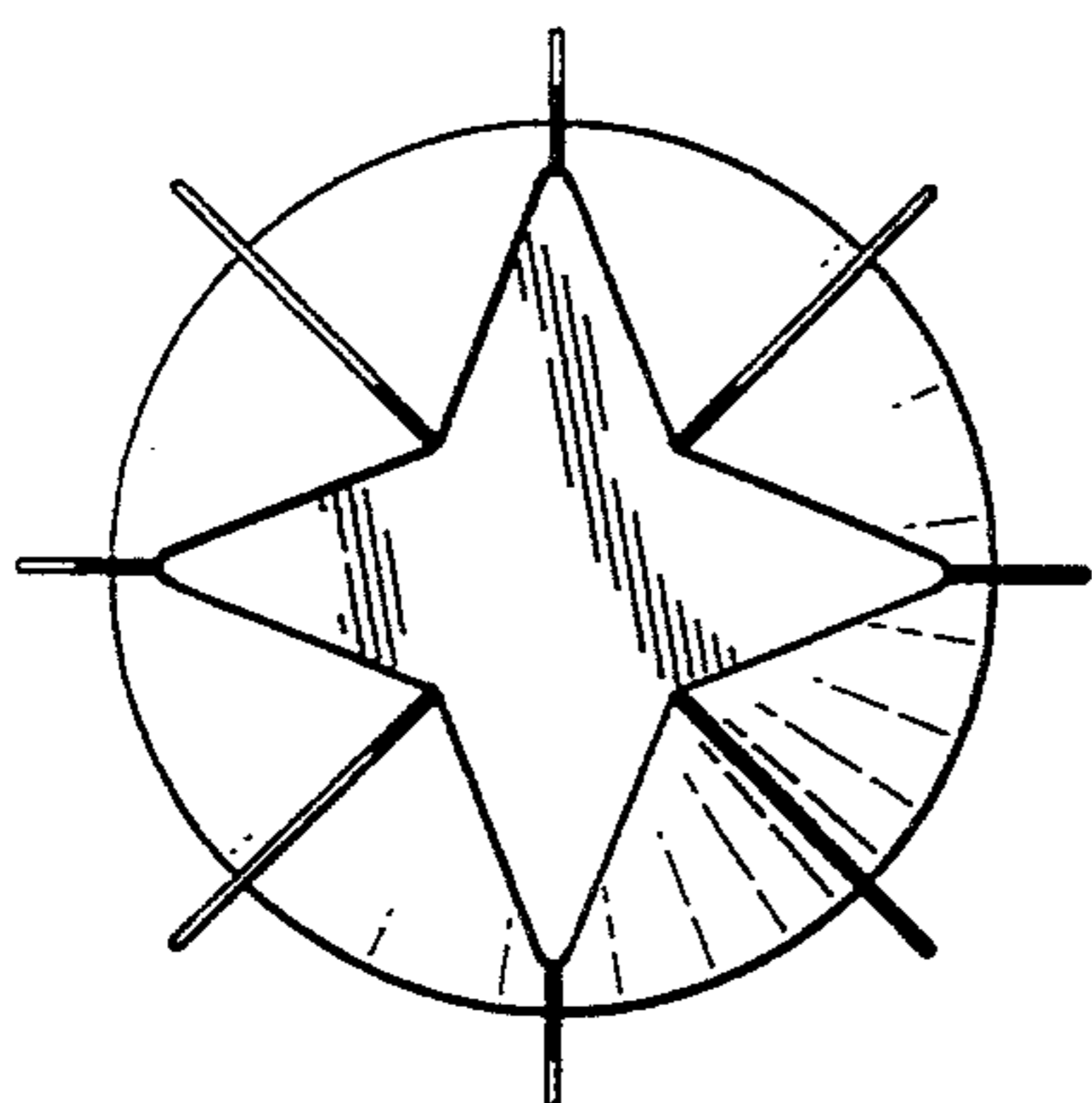


FIG. 3

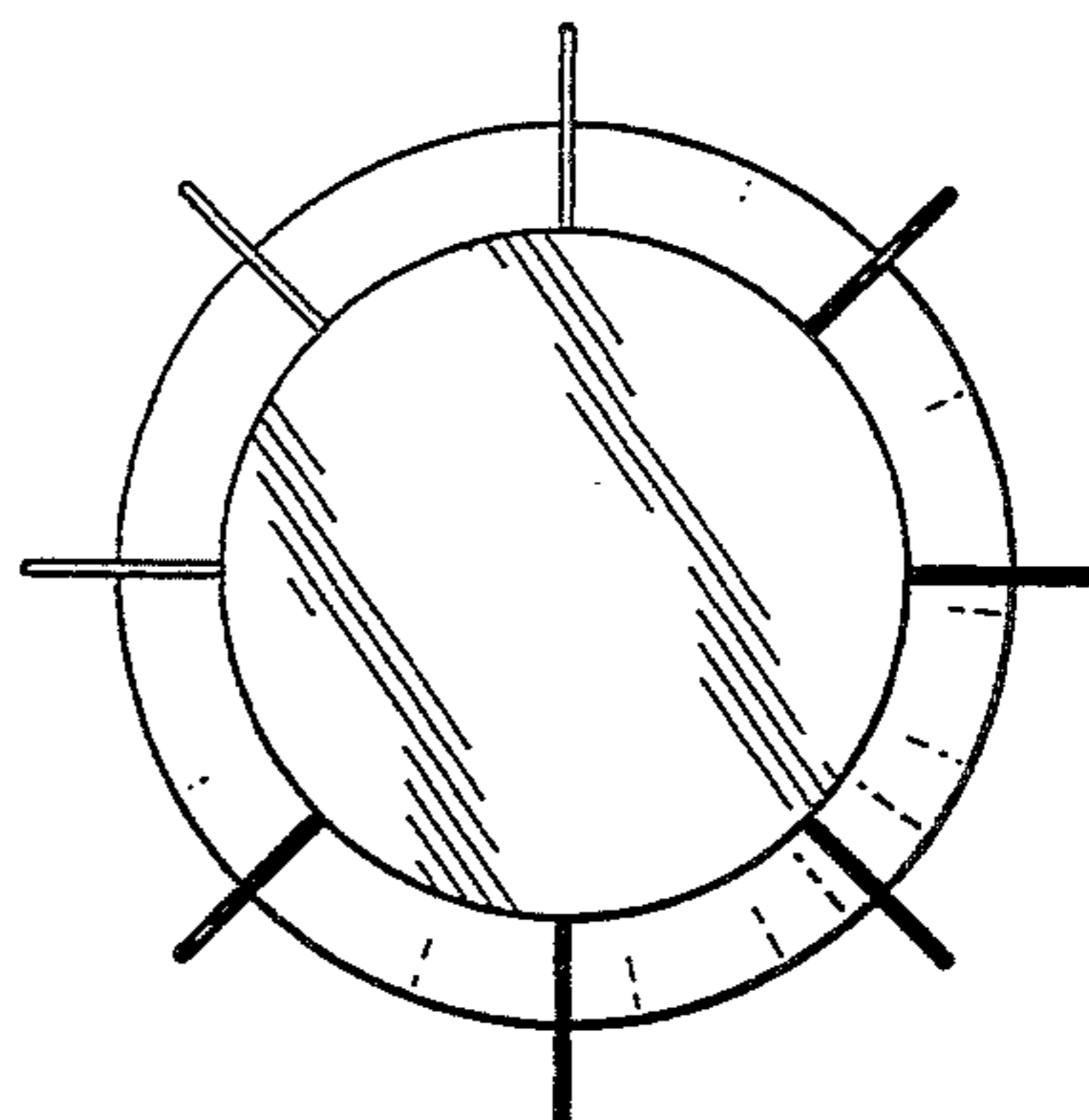


FIG. 4

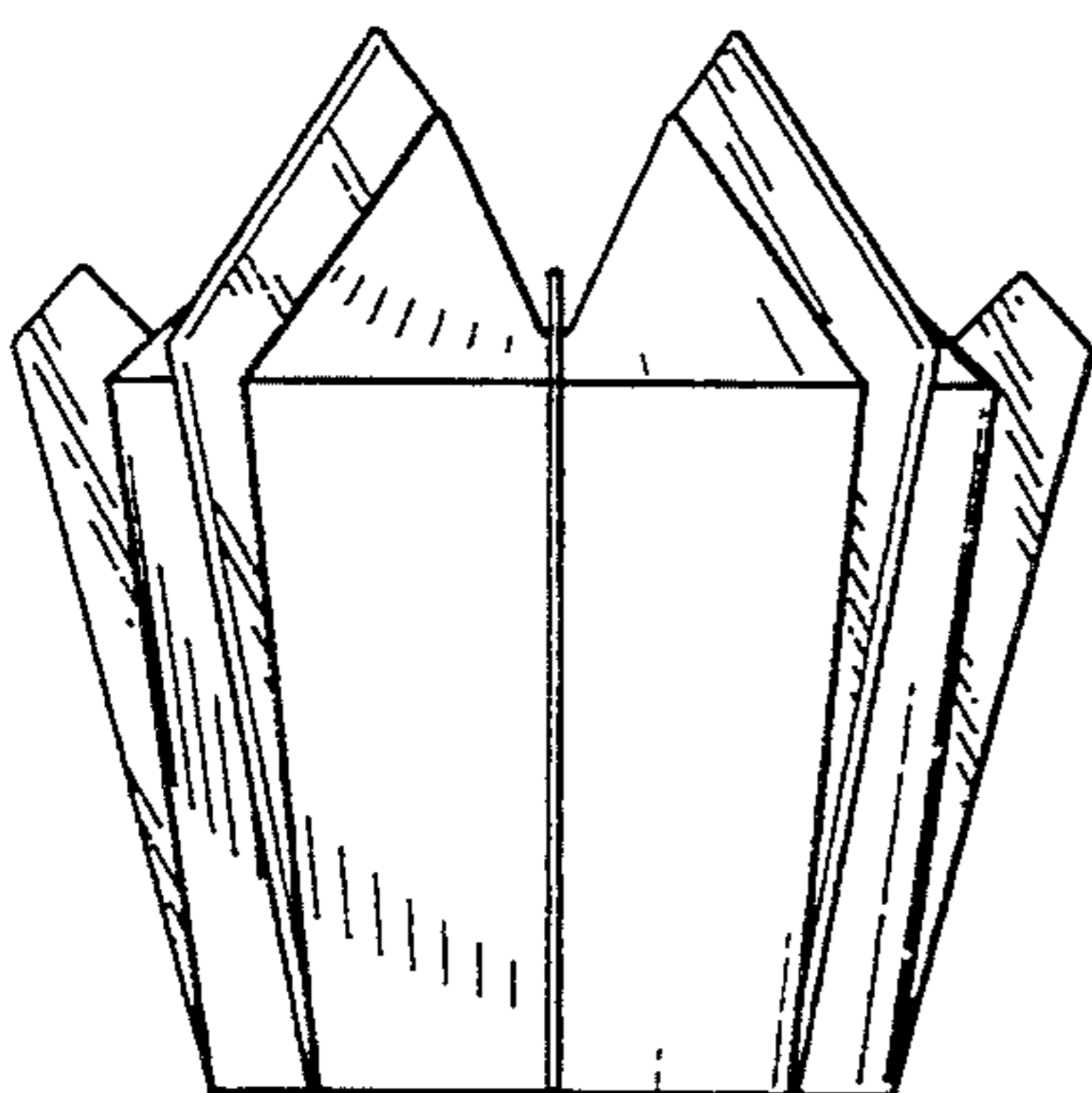


FIG. 5

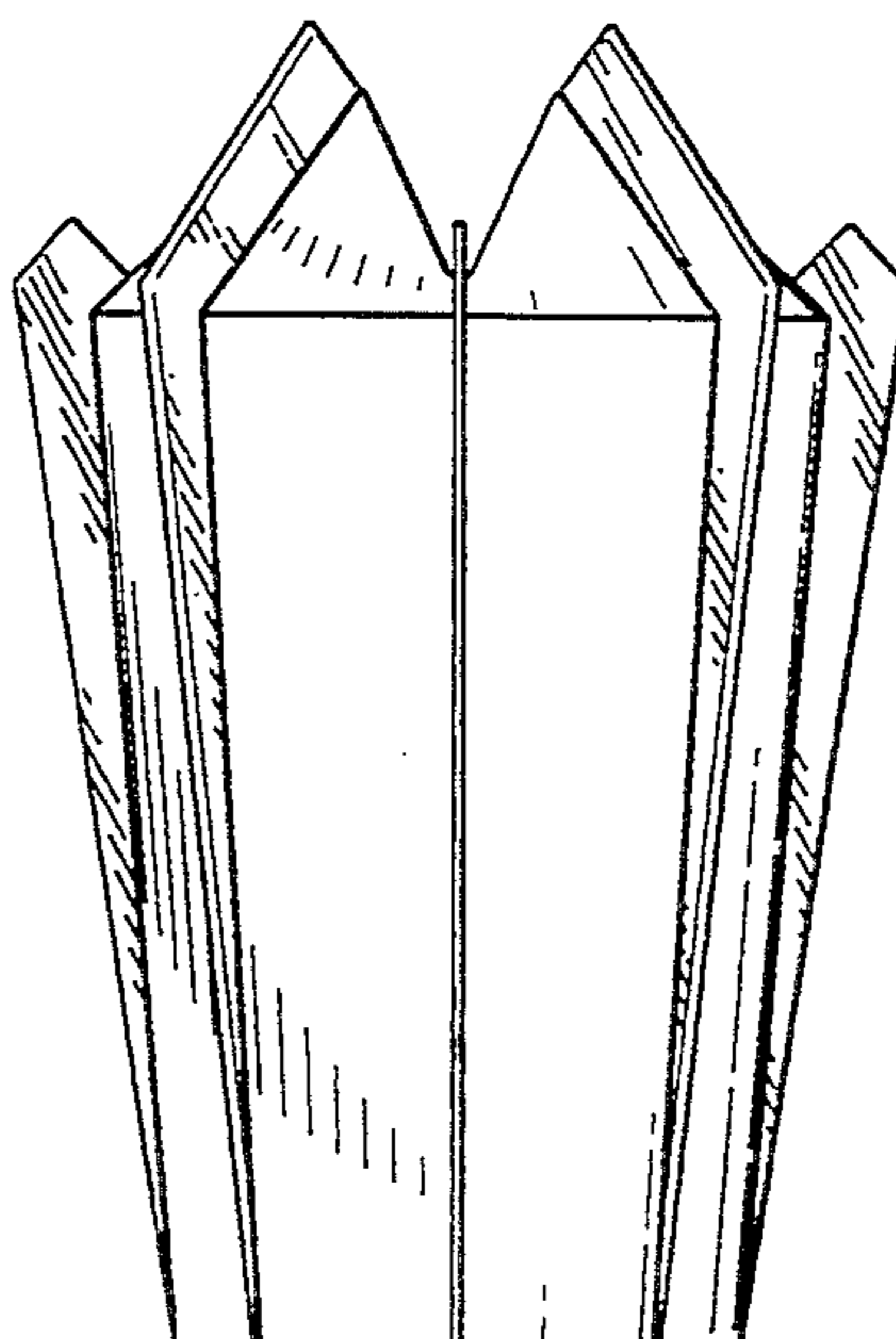


FIG. 6

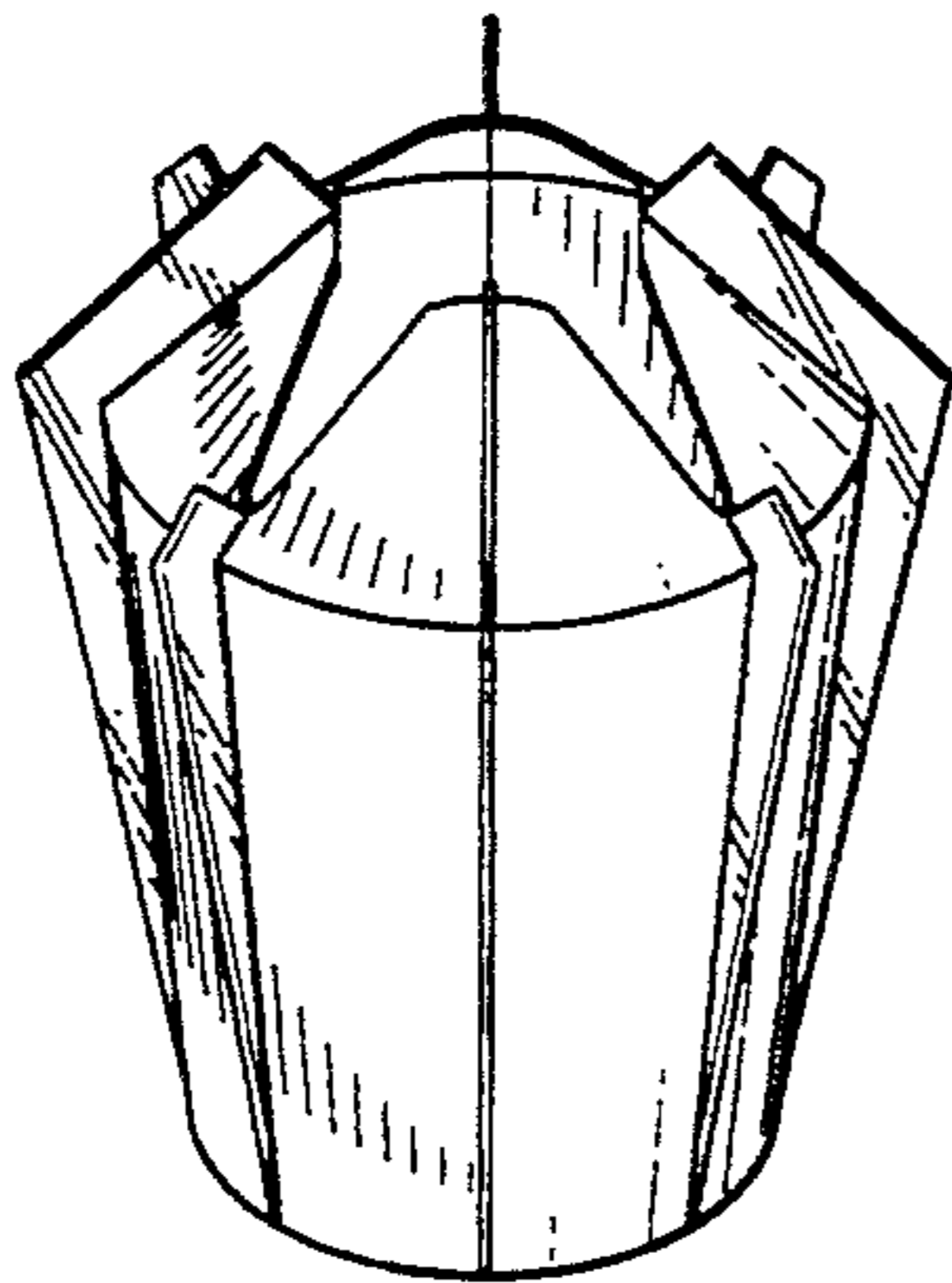


FIG. 7

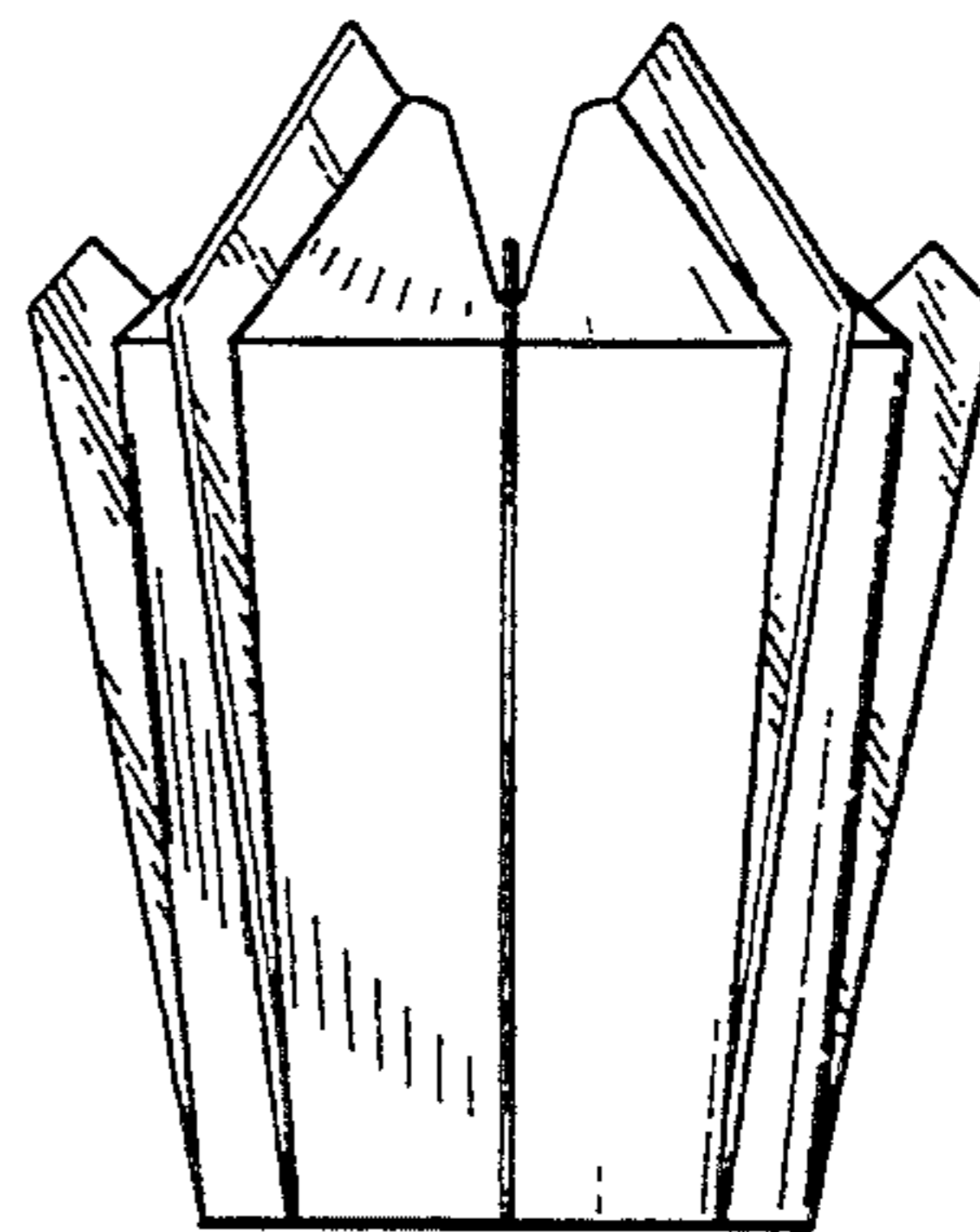


FIG. 8

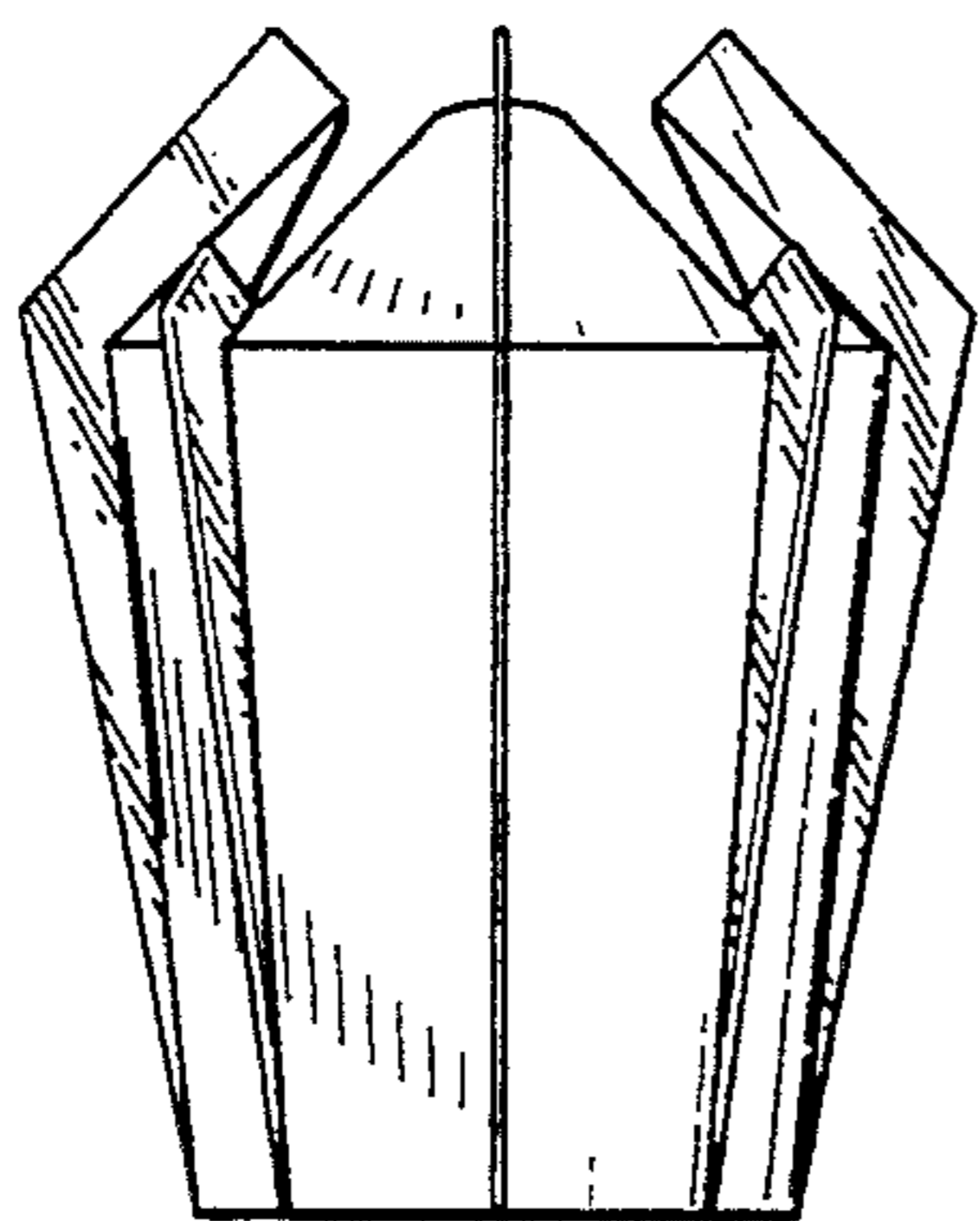


FIG. 9

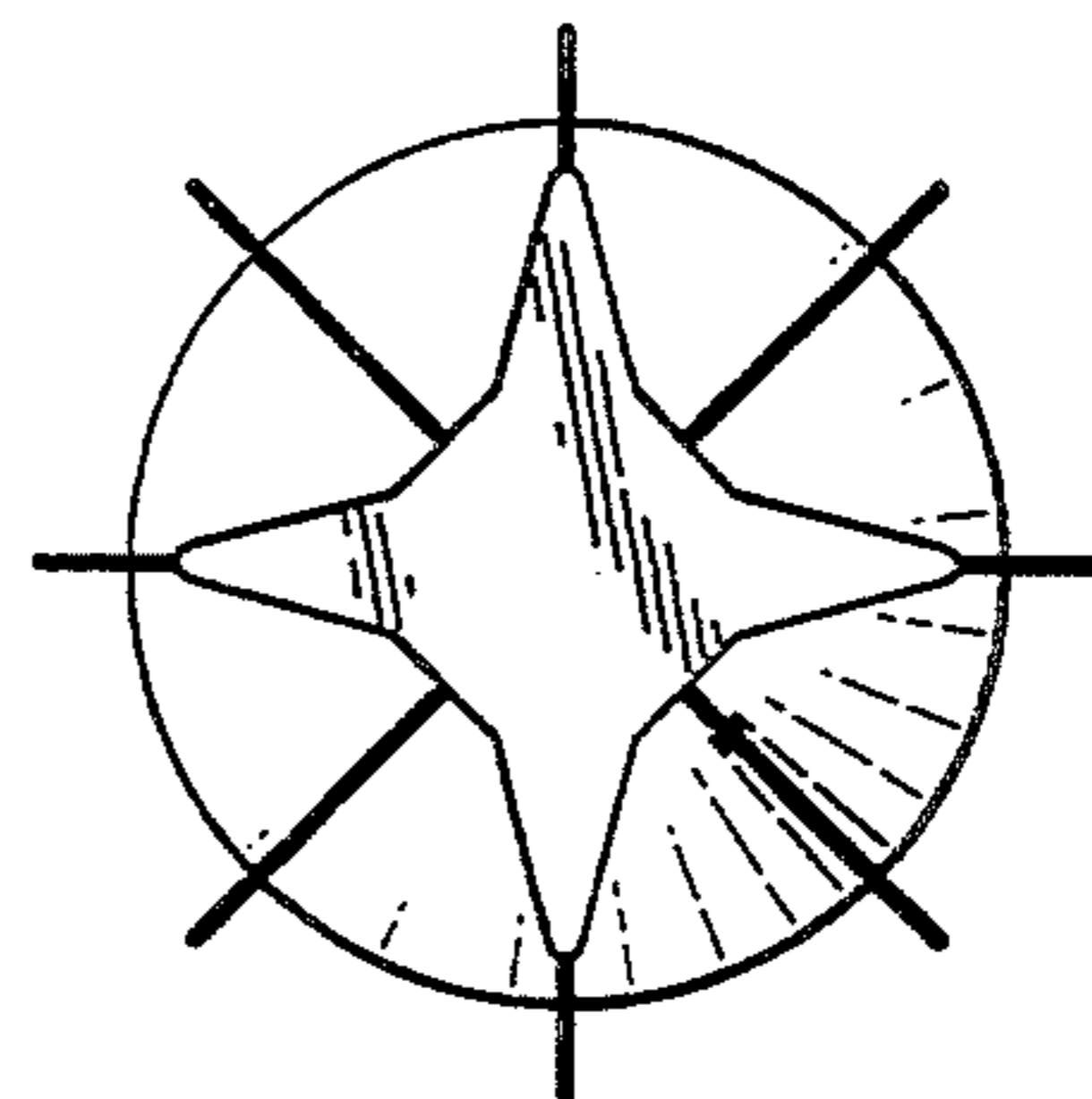


FIG. 10

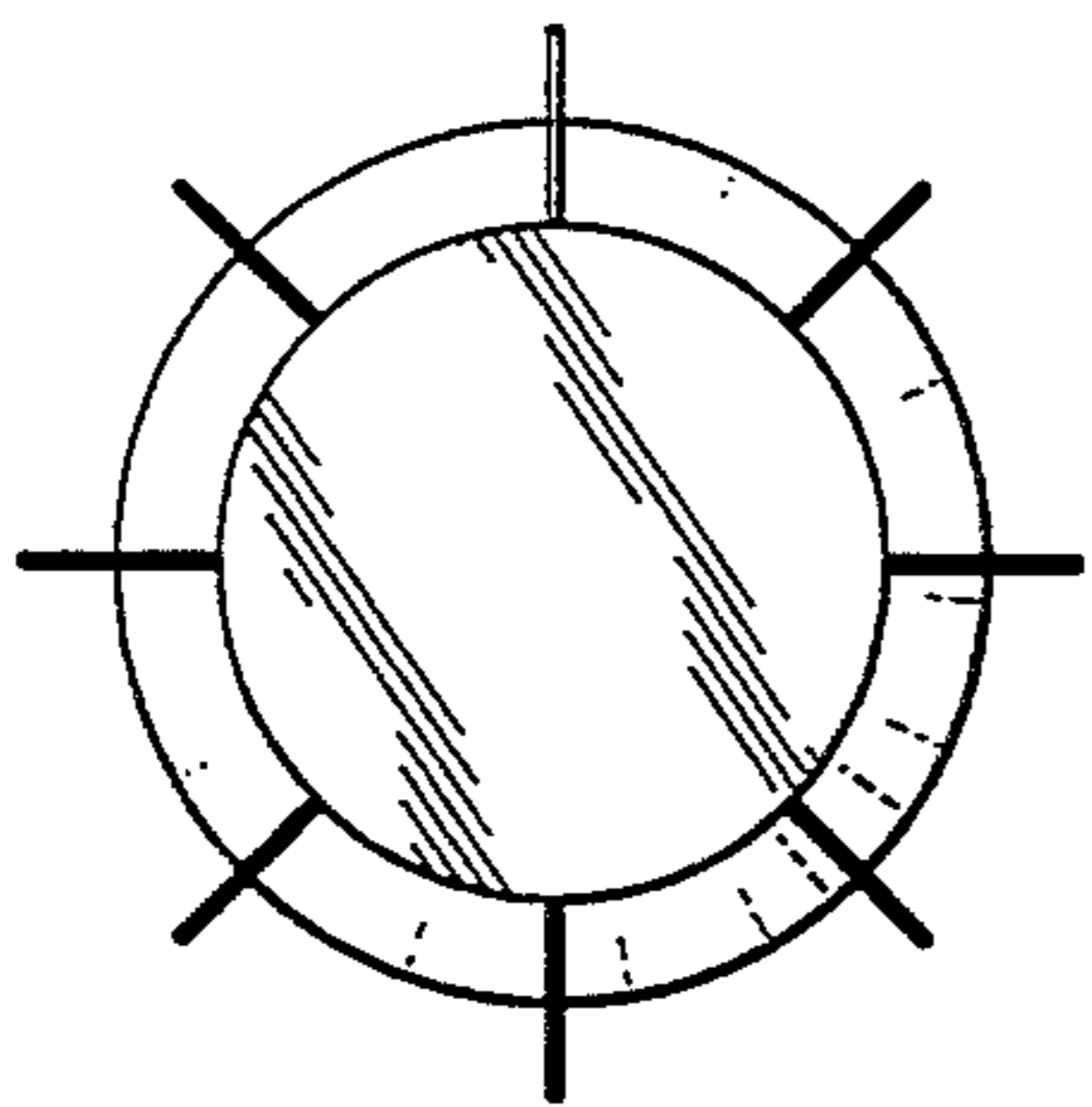


FIG. 11

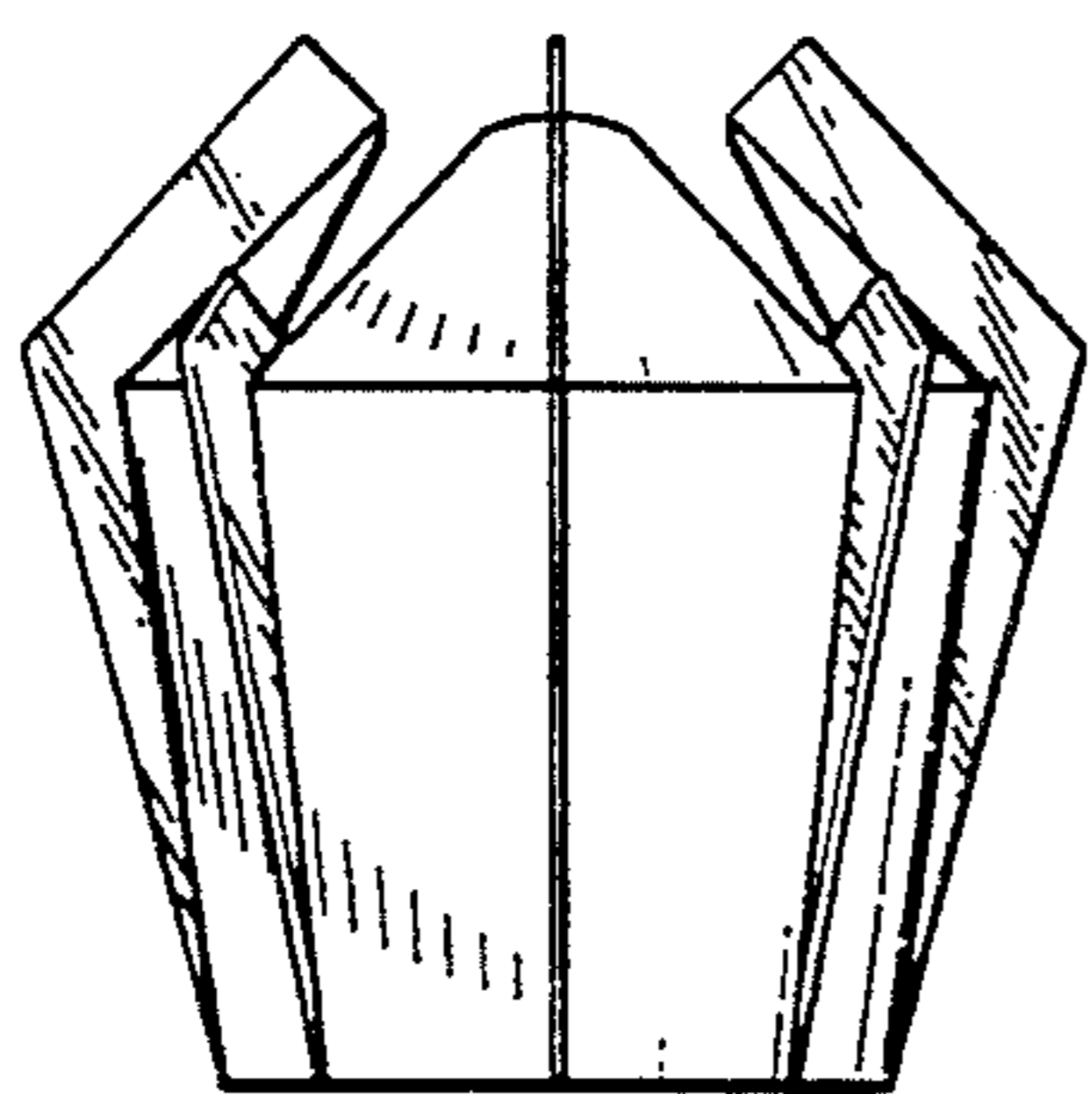


FIG. 12

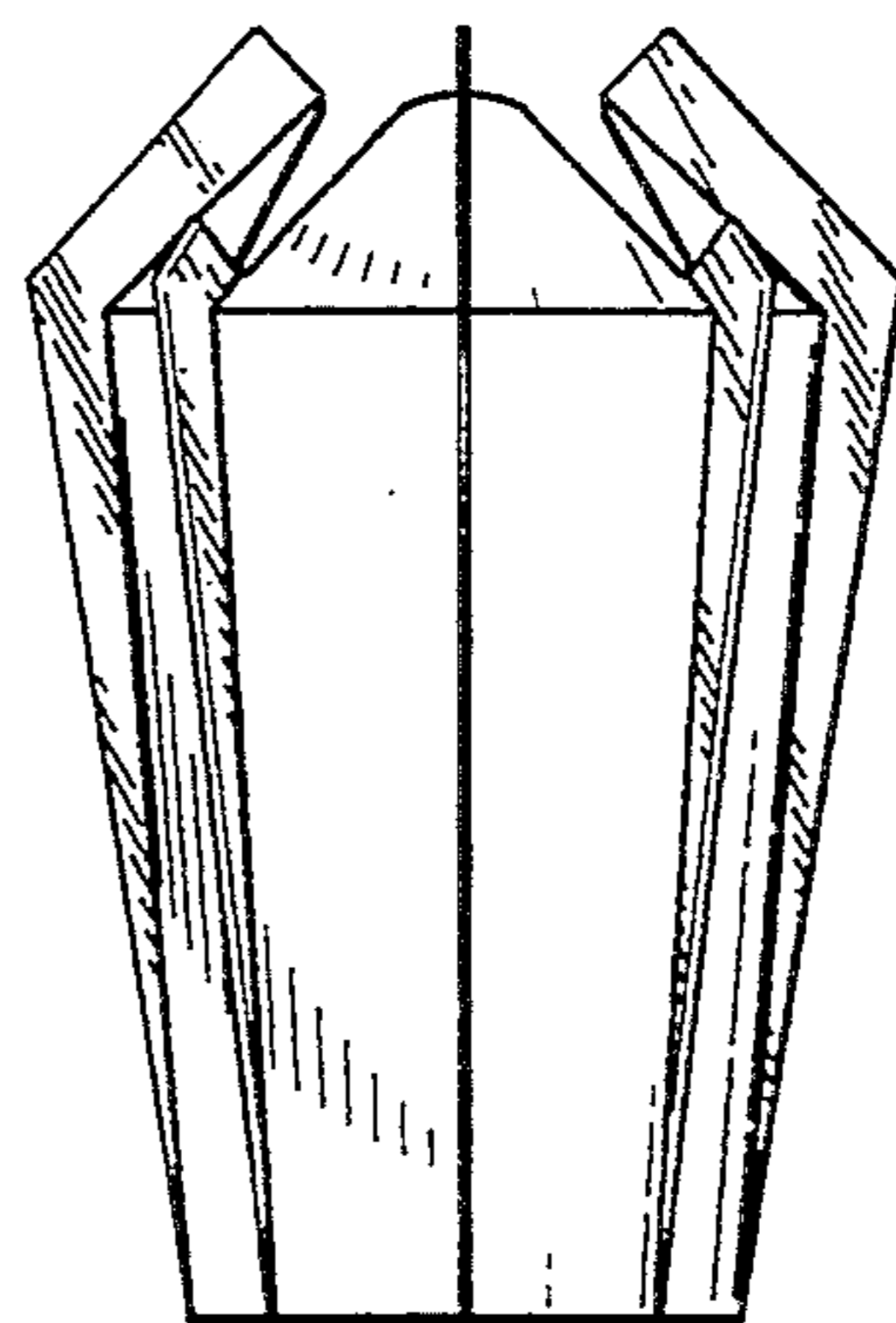


FIG. 13