



US00D360603S

United States Patent [19]

Harman

[11] Patent Number: **Des. 360,603**

[45] Date of Patent: **** Jul. 25, 1995**

[54] **PLANT GROWING DEVICE**

[76] Inventor: **Benjamin J. Harman**, Rte. 3, Box 587, Falkville, Ala. 35622

[**] Term: **14 Years**

[21] Appl. No.: **18,636**

[22] Filed: **Feb. 14, 1994**

[52] U.S. Cl. **D11/144**

[58] Field of Search **D11/144, 155; 47/60 R, 47/60 NL, 17 MS, 69 T; D34/24; D25/1, 15**

[56] **References Cited**

U.S. PATENT DOCUMENTS

- D. 245,407 8/1977 Ware D11/144
- D. 245,681 9/1977 Farnor D11/144
- 4,794,727 1/1989 Smith 47/60 HL

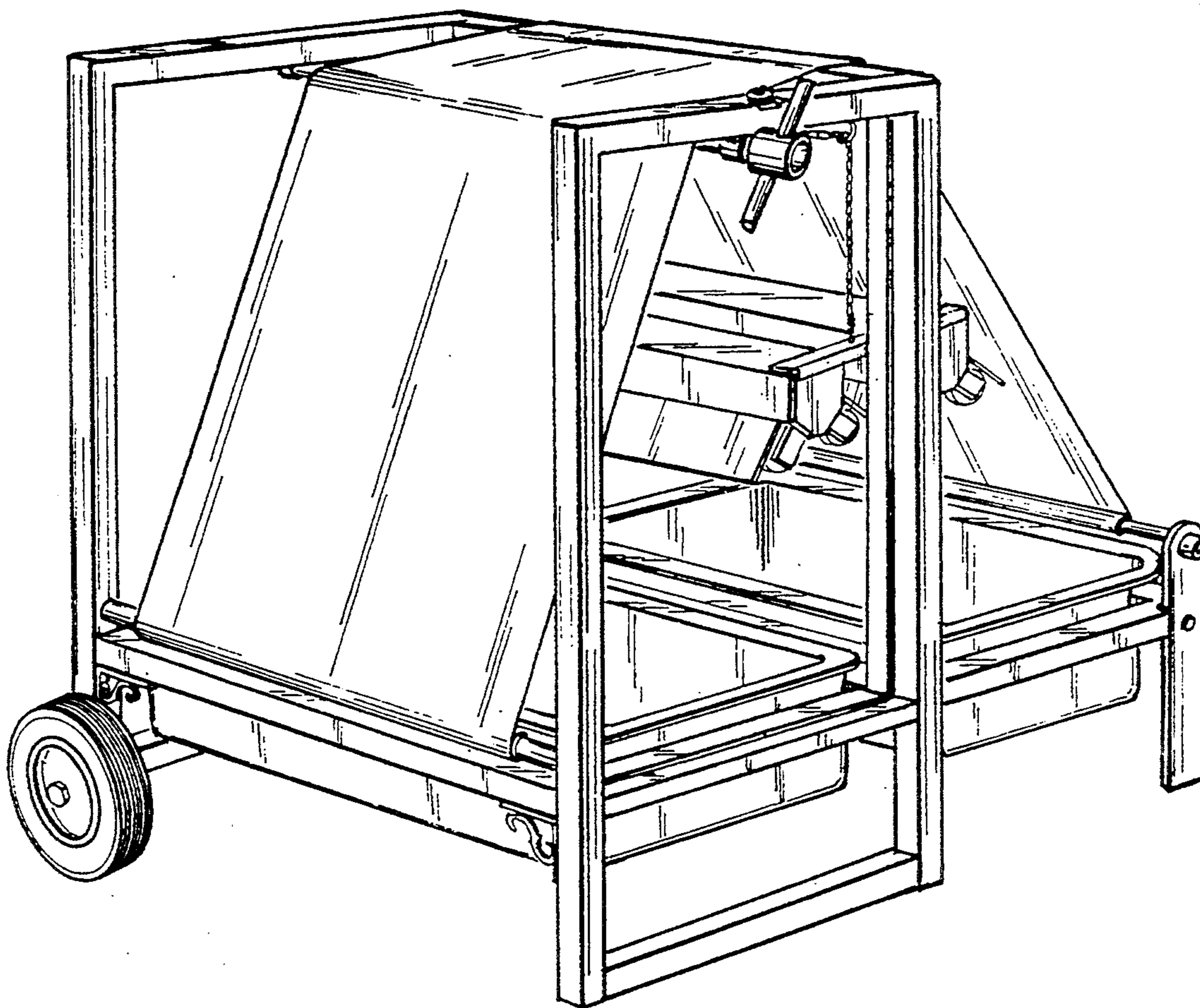
Primary Examiner—Alan P. Douglas
Assistant Examiner—Cathron B. Matta
Attorney, Agent, or Firm—George A. Bode

[57] **CLAIM**

The ornamental design for a plant growing device, as shown and described.

DESCRIPTION

FIG. 1 is a front and right side perspective view of the plant growing device showing my new design; FIG. 2 is a left side view thereof; FIG. 3 is a front view thereof; FIG. 4 is a rear view thereof; FIG. 5 is a right side view thereof; FIG. 6 is a bottom plan view thereof; and, FIG. 7 is a top plan view thereof.



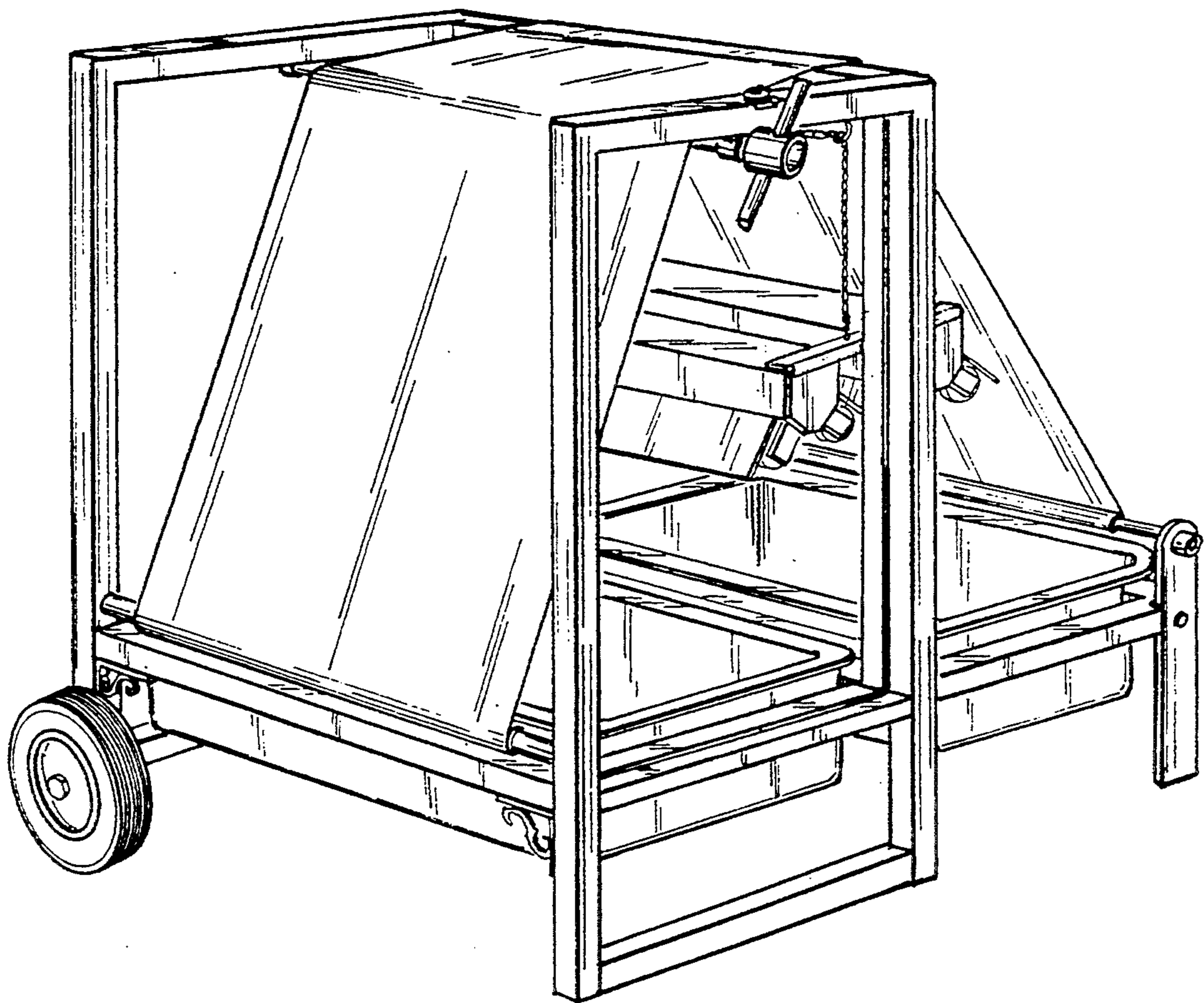


FIG. 1

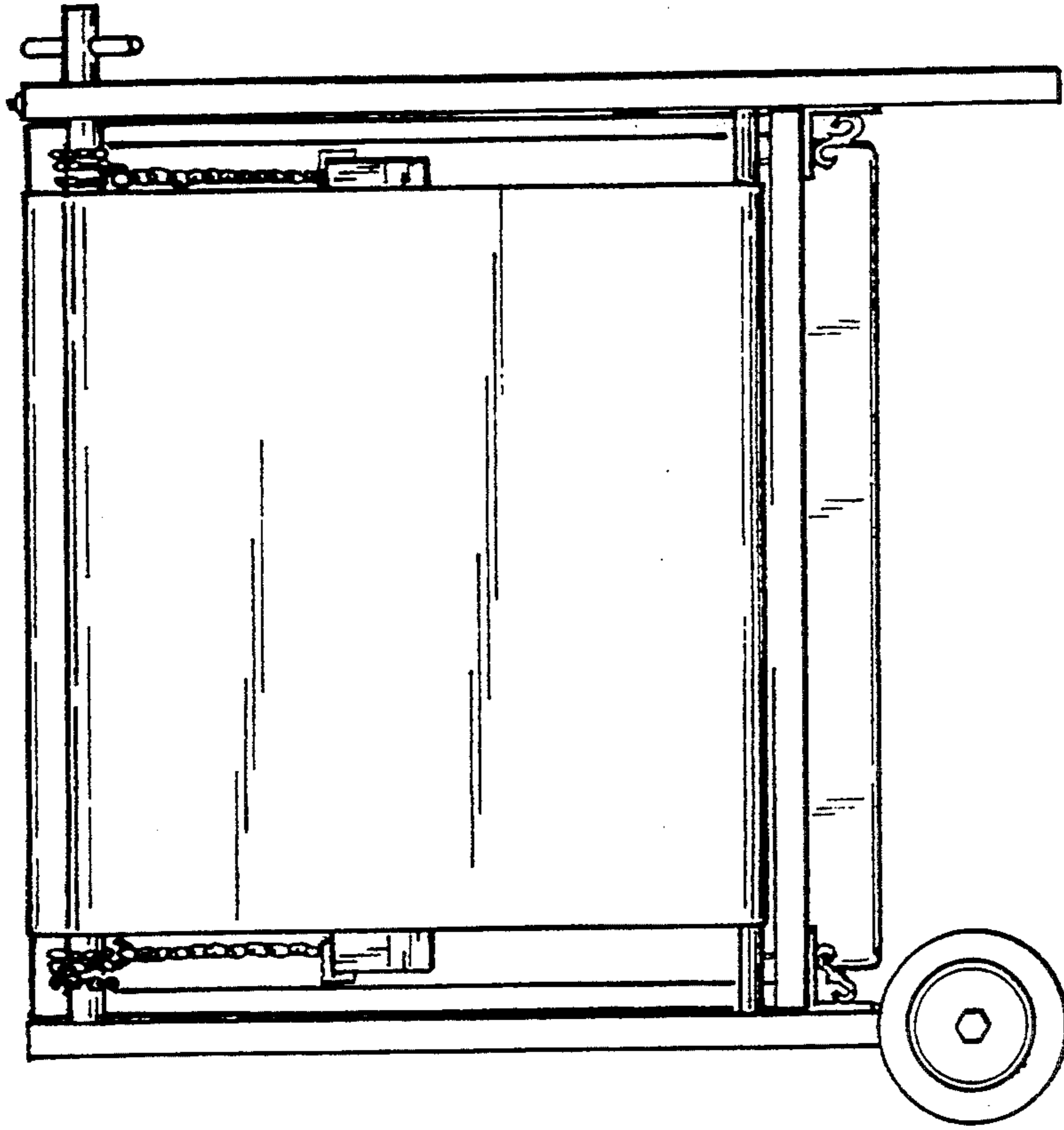


FIG. 3

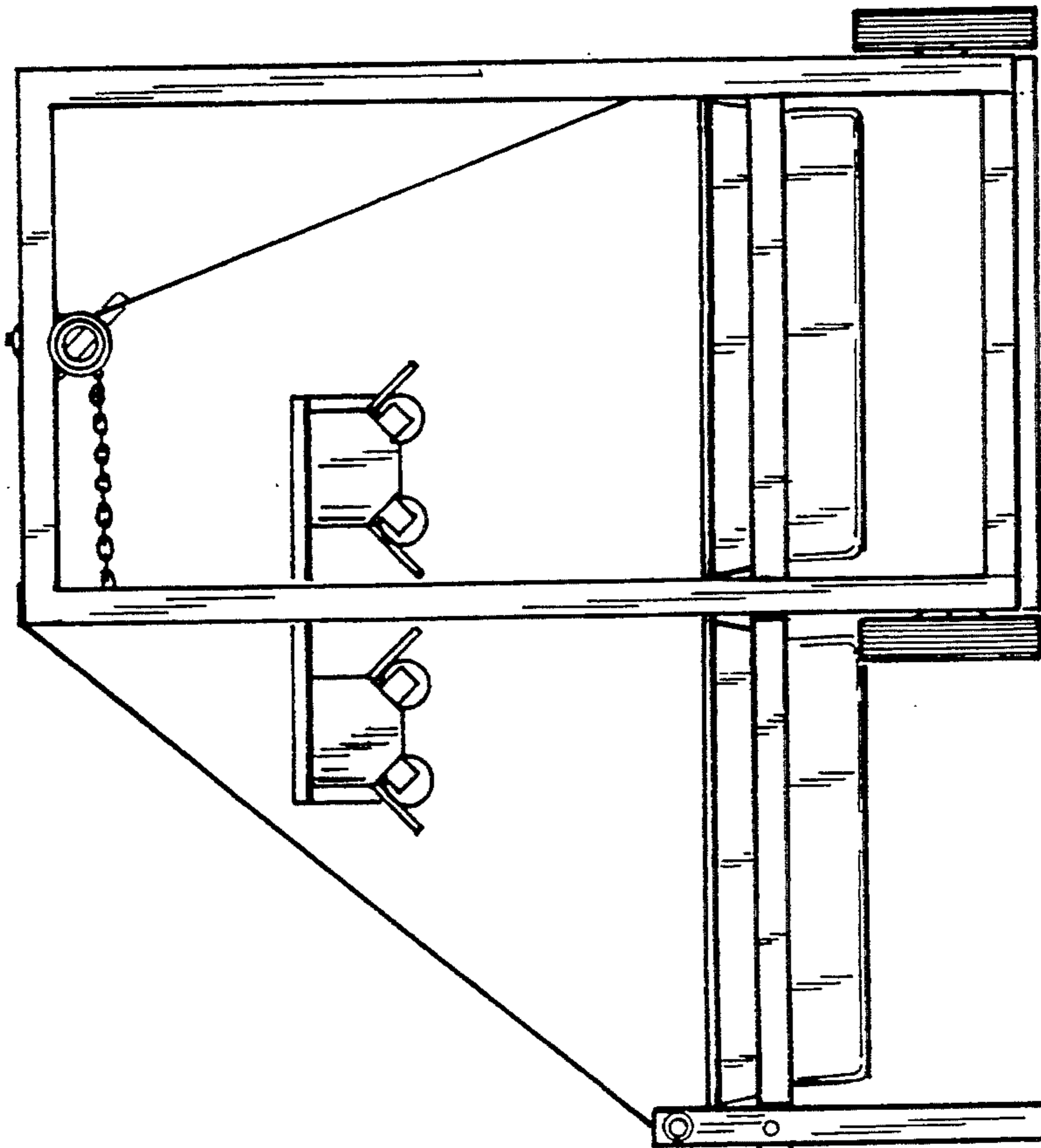


FIG. 2

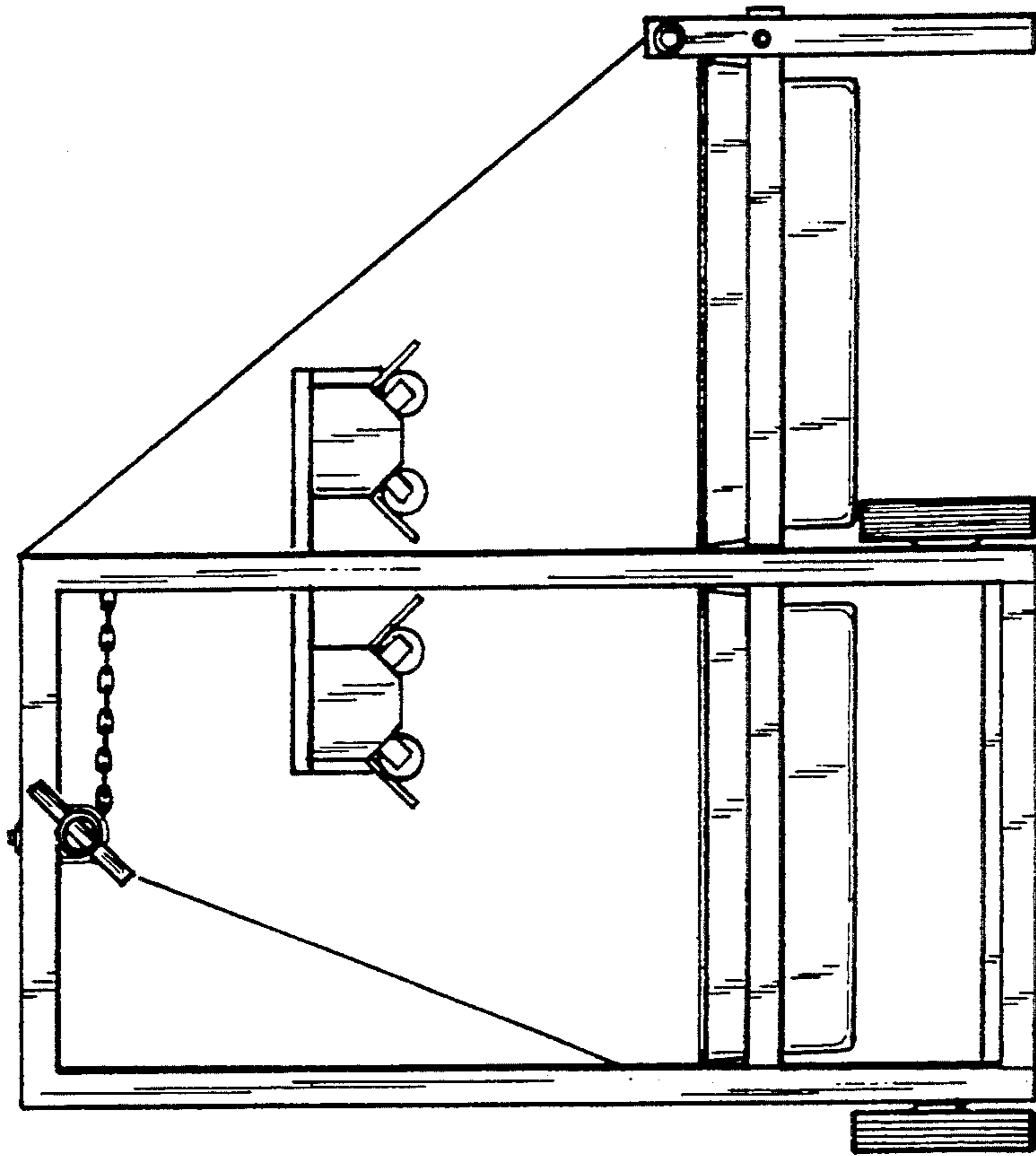


FIG. 5

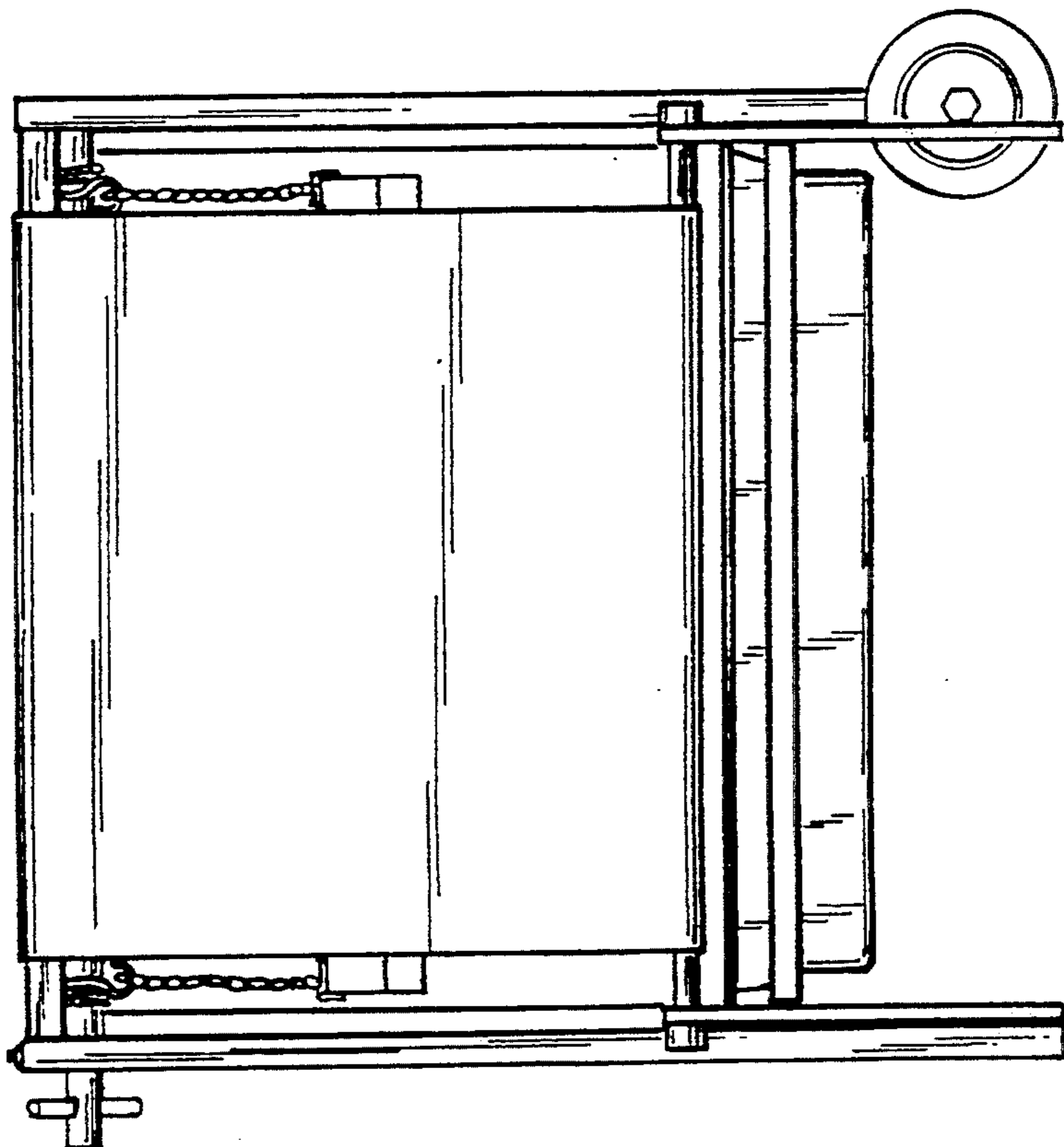


FIG. 4

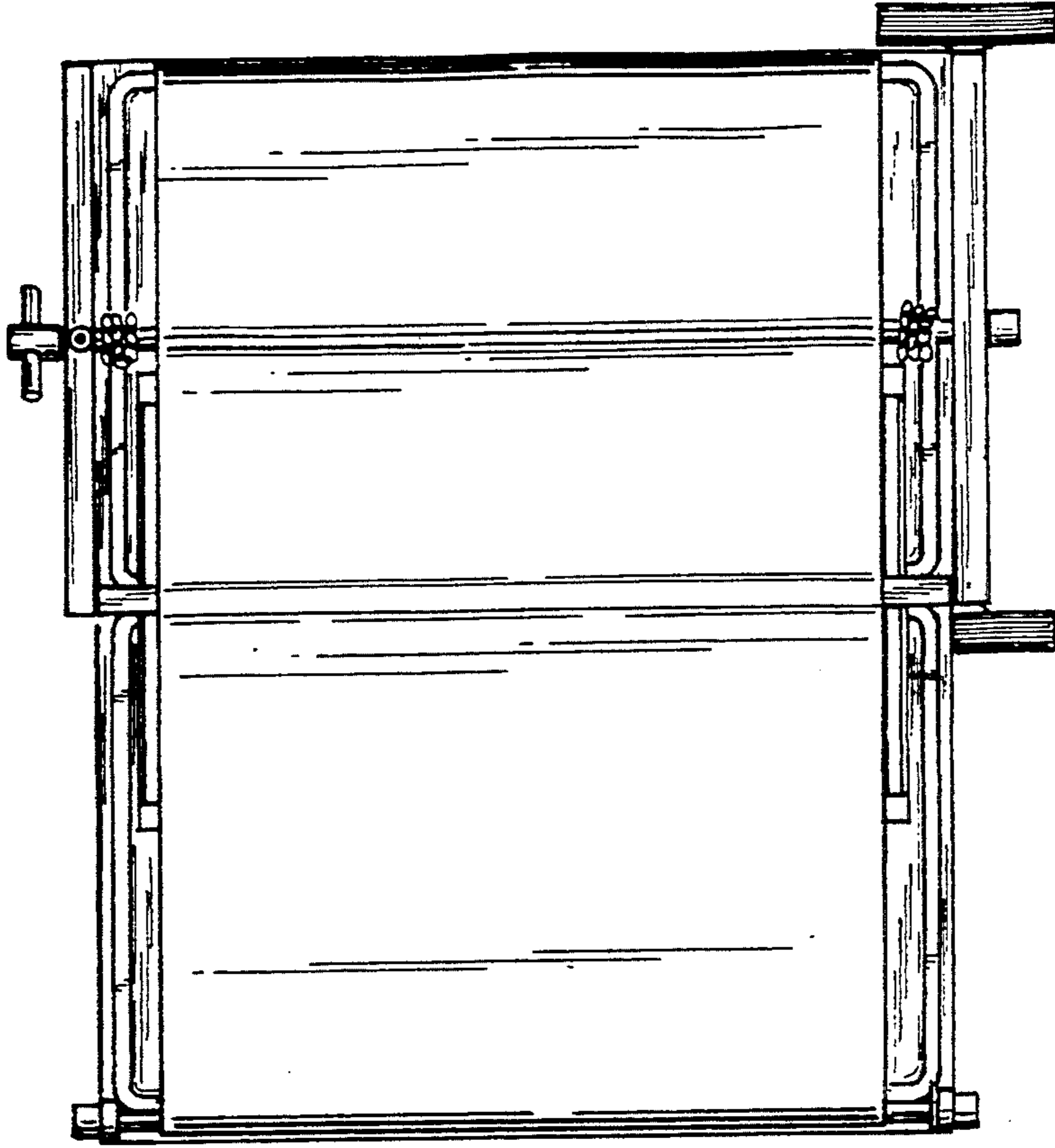


FIG. 7

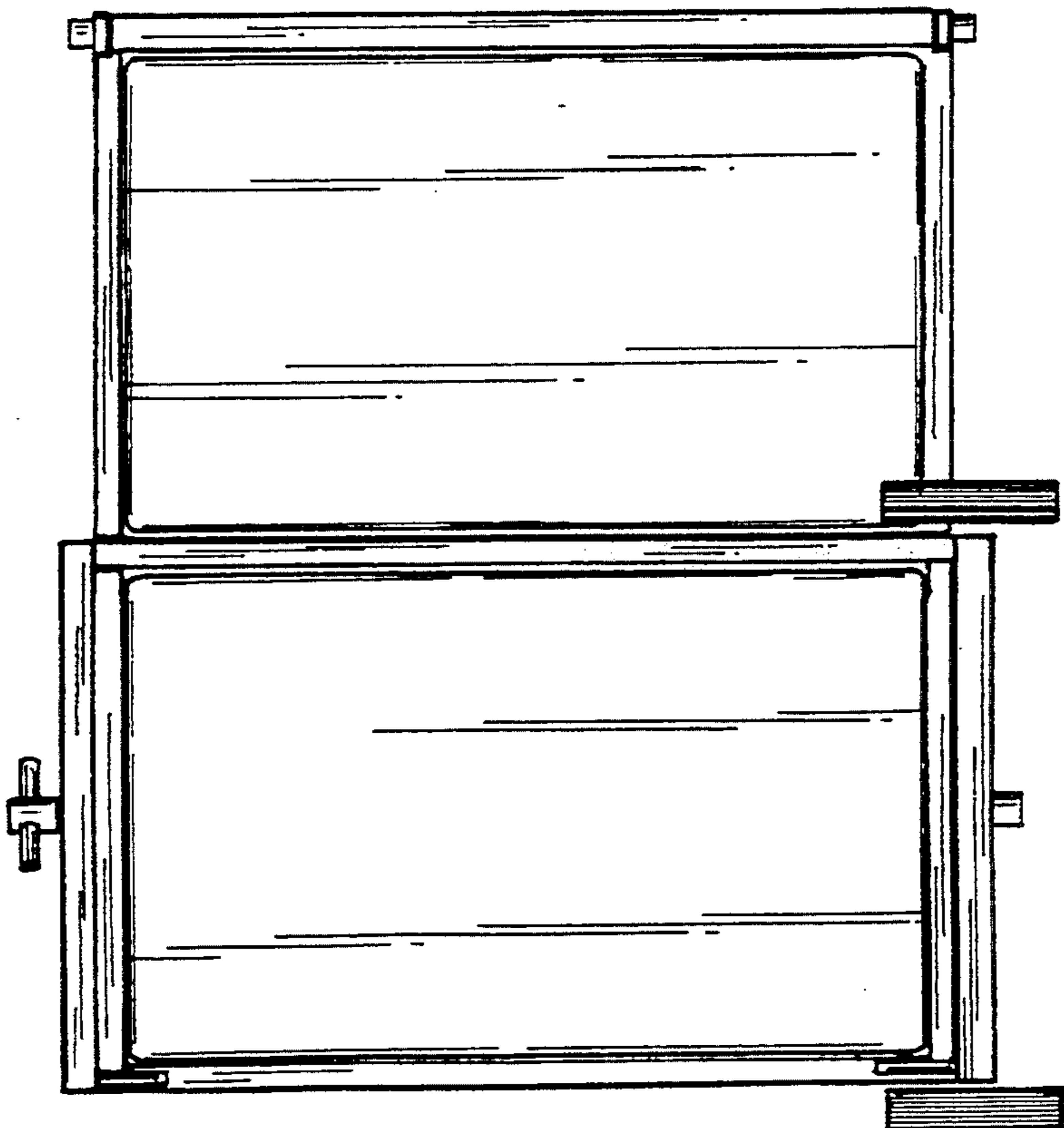


FIG. 6