



US00D360600S

**United States Patent** [19]

[11] **Patent Number: Des. 360,600**

**Rossi**

[45] **Date of Patent: \*\* Jul. 25, 1995**

[54] **TEST PLUG ASSEMBLY**

[76] **Inventor: Joseph T. Rossi, 121 Deer Run La., Plantsville, Conn. 06479**

[\*\*] **Term: 14 Years**

[21] **Appl. No.: 19,190**

[22] **Filed: Feb. 25, 1994**

[52] **U.S. Cl. .... D10/83**

[58] **Field of Search ..... D10/83, 85; 73/49.4, 73/49.5, 49.6, 49.8, 40.5 R, 756, 866.5; 137/540, 543.21; 138/89, 90, 93, 94; 220/328, 375**

[56] **References Cited**

**U.S. PATENT DOCUMENTS**

|           |         |                      |          |
|-----------|---------|----------------------|----------|
| 821,223   | 5/1906  | Coleman .            |          |
| 2,066,650 | 1/1937  | Santucci .           |          |
| 2,477,663 | 8/1949  | Sexton .             |          |
| 2,621,679 | 12/1952 | Tuttle .             |          |
| 2,749,945 | 6/1956  | Kaiser .             |          |
| 3,334,515 | 8/1967  | Kost .....           | 73/49.5  |
| 3,845,661 | 11/1974 | Hollweck et al. .... | 138/90 X |
| 4,458,522 | 7/1984  | Toelke .....         | 73/49.5  |

**FOREIGN PATENT DOCUMENTS**

0339525 11/1989 European Pat. Off. .

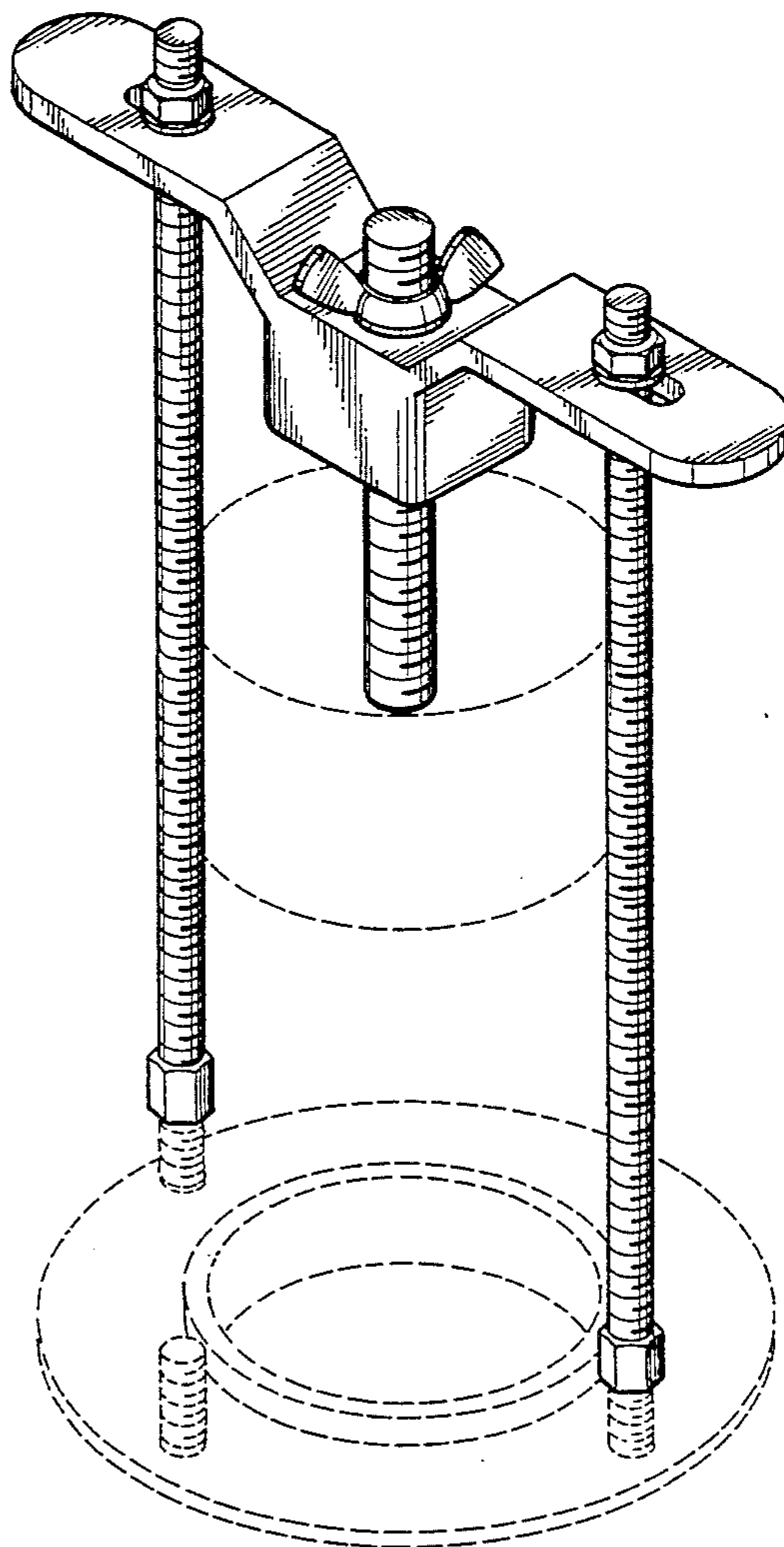
*Primary Examiner*—Antoine Duval Davis  
*Attorney, Agent, or Firm*—Richard C. Litman

[57] **CLAIM**

The ornamental design for a test plug assembly, as shown and described.

**DESCRIPTION**

FIG. 1 is a perspective view of a test plug assembly showing my new design;  
 FIG. 2 is a top view thereof;  
 FIG. 3 is a front elevational view with the rear being a mirror image thereof;  
 FIG. 4 is a bottom view thereof; and,  
 FIG. 5 is a right side elevational view with the left side being a mirror image thereof.  
 The bracketed showing of the elongate threaded rods in FIGS. 3 and 5 indicates indefinite length. The broken line showing of a safety plug and plumbing hardware in FIGS. 1, 2, 3, and 5 is for illustrative purposes only and forms no part of the claimed design.



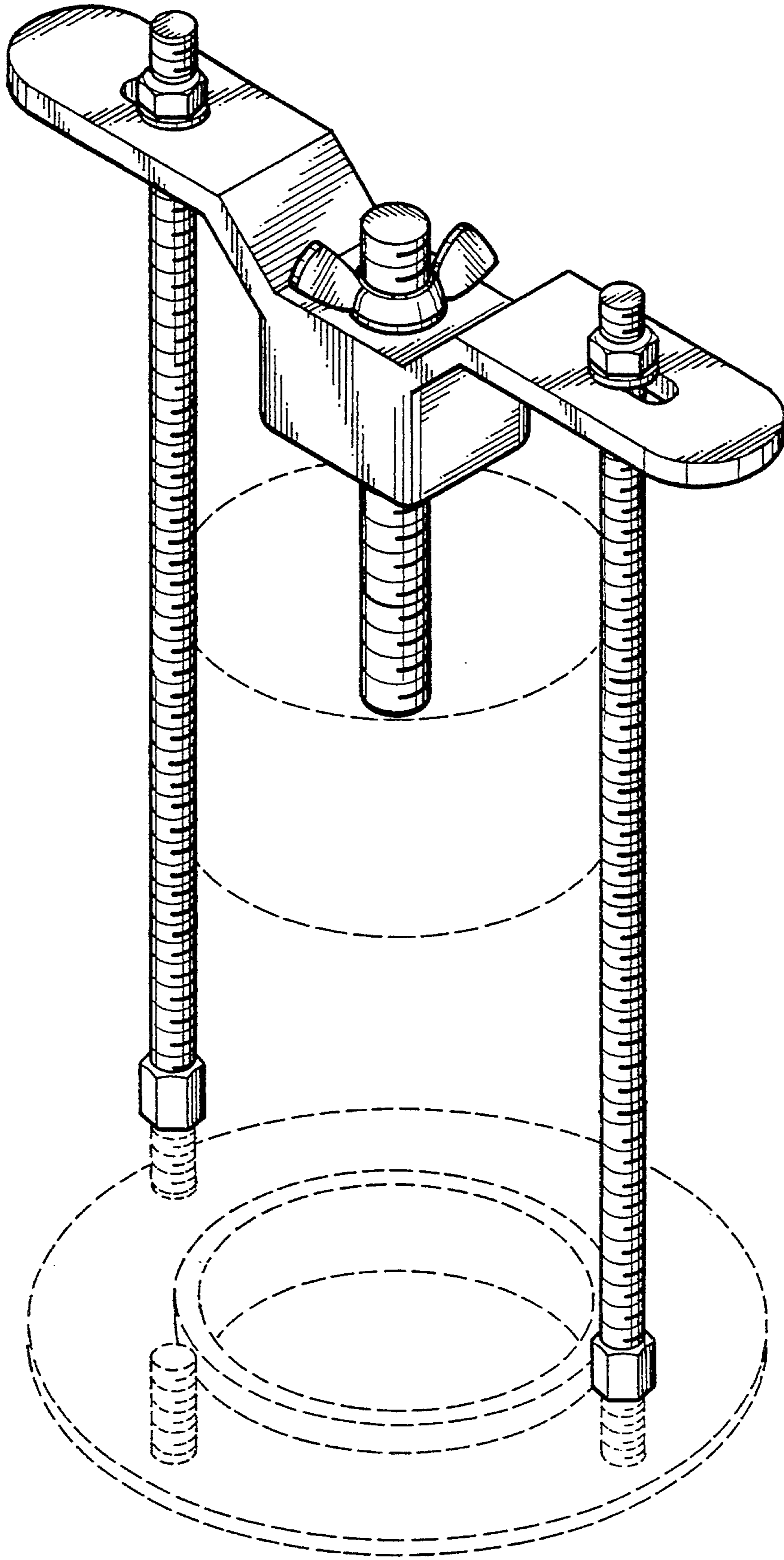


FIG. 1

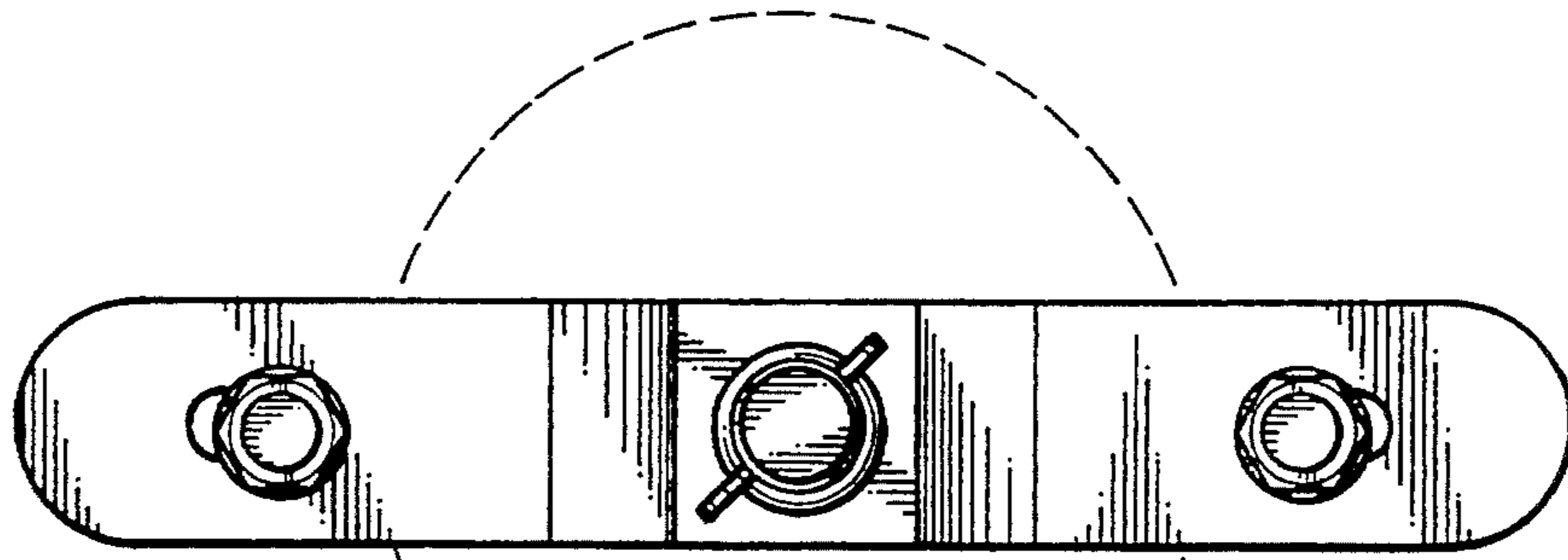


FIG. 2

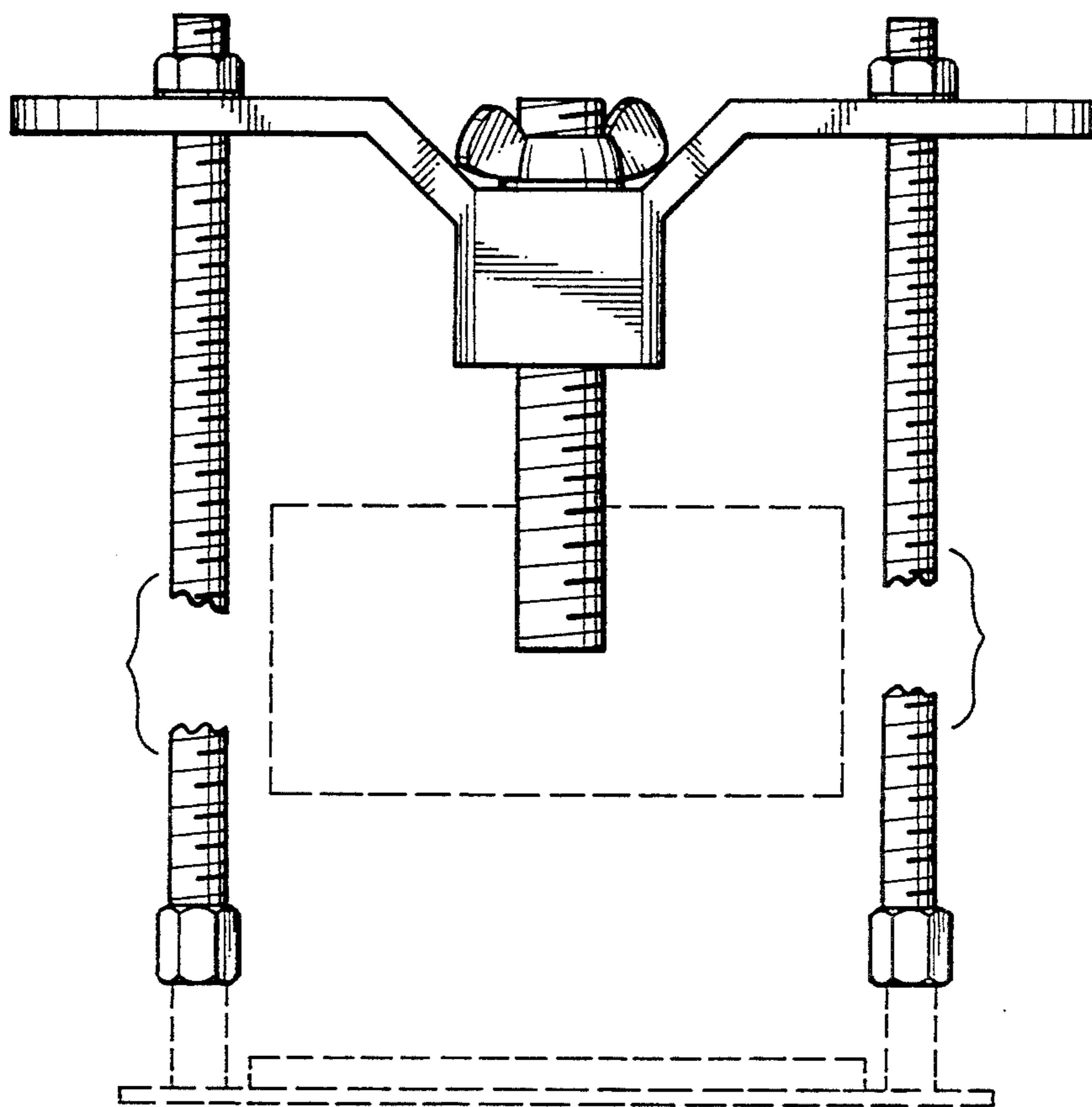


FIG. 3

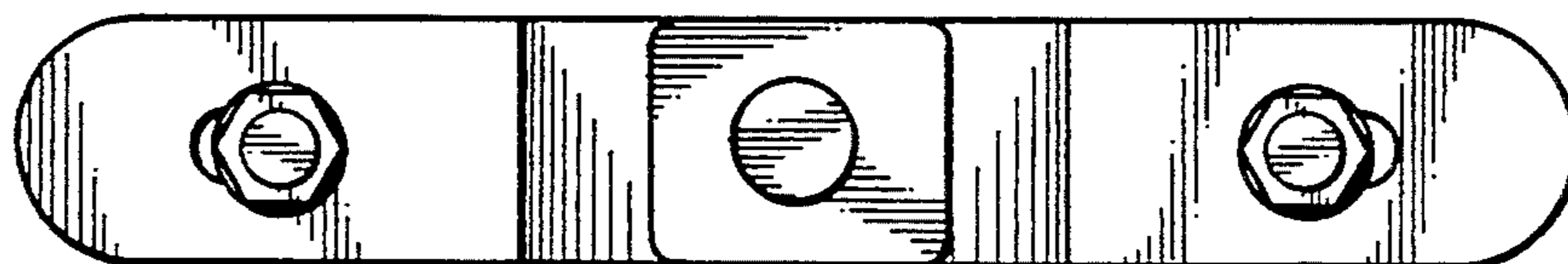


FIG. 4

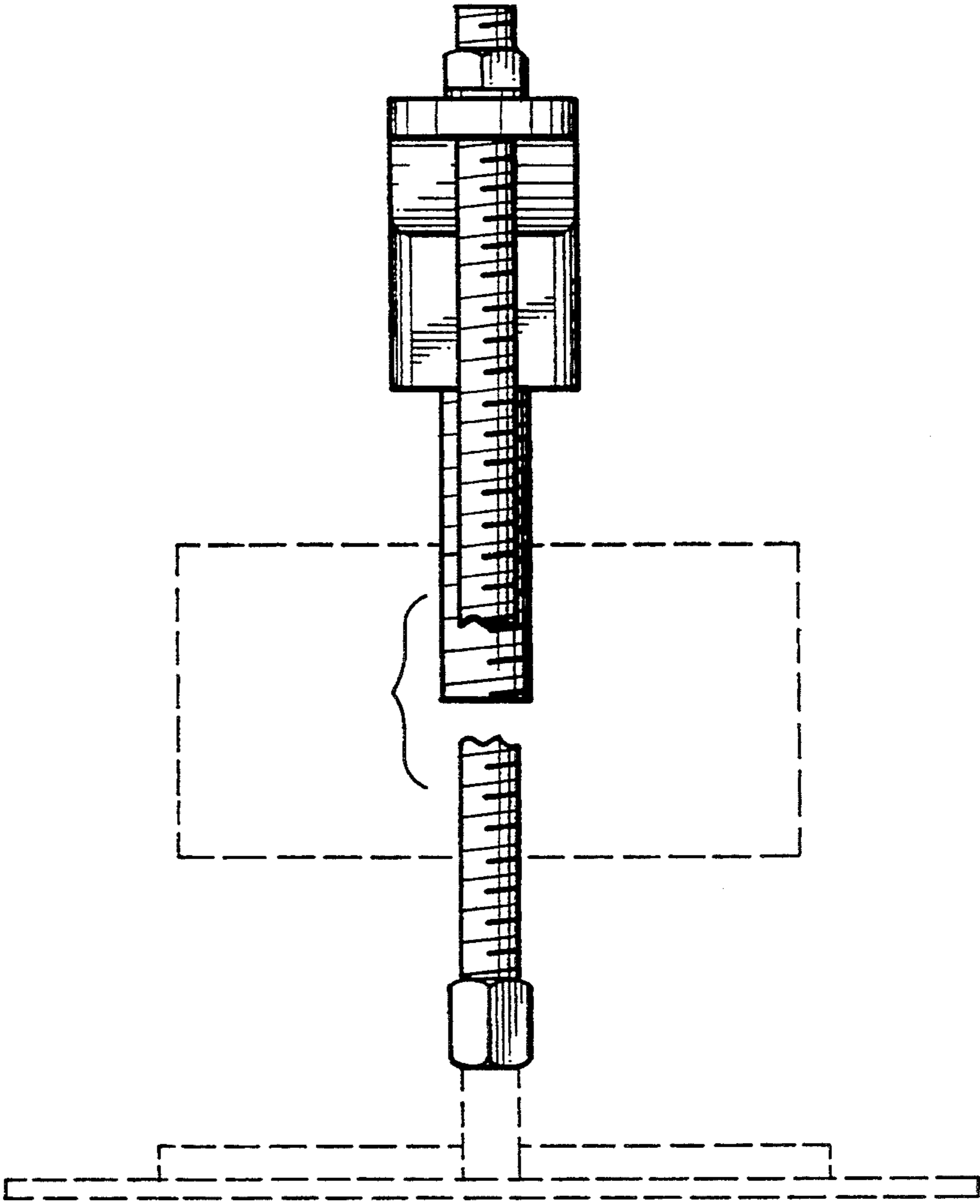


FIG. 5