



US00D360595S

United States Patent [19]

[11] Patent Number: **Des. 360,595**

Lia

[45] Date of Patent: **** Jul. 25, 1995**

[54] **GOLF-HITTING COUNTER**

5,002,184 3/1991 Lloyd 235/1 D X
5,199,712 4/1993 Hoyle, Jr. et al. 116/222 X

[75] Inventor: **Ko-Ming Lia**, Chiayi, Taiwan

Primary Examiner—Prabhakar G. Deshmukh
Attorney, Agent, or Firm—Browdy and Neimark

[73] Assignee: **Perception Information Co.**, Chiayi, Taiwan

[57] **CLAIM**

[**] Term: **14 Years**

The ornamental design for a golf-hitting counter, as shown and described.

[21] Appl. No.: **21,526**

DESCRIPTION

[22] Filed: **Apr. 19, 1994**

[52] U.S. Cl. **D10/46.1**

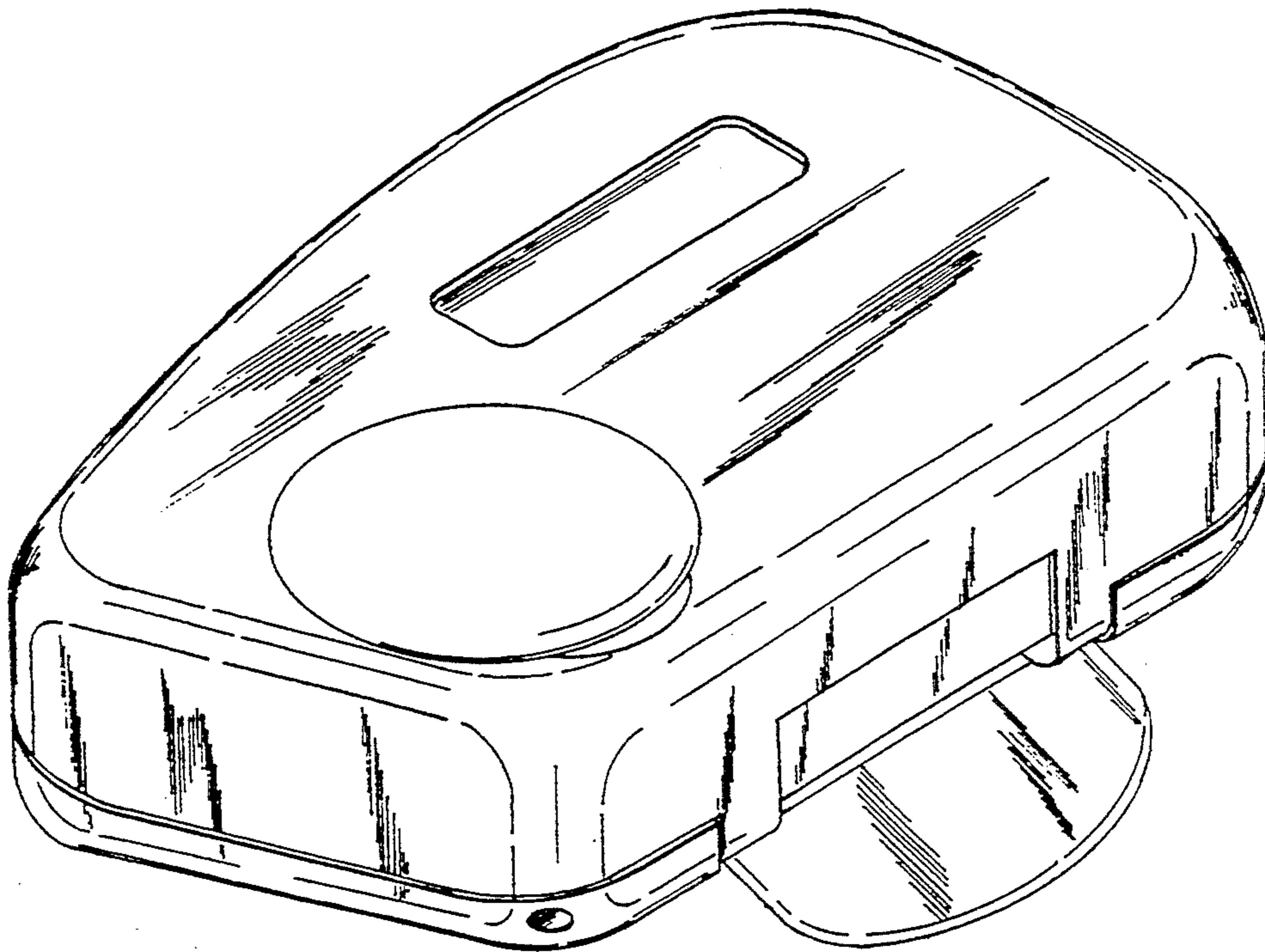
[58] Field of Search **D10/46.1, 46, 97;**
116/222-225, 305; 235/1 B, 1 D

FIG. 1 is a perspective view of a golf-hitting counter showing of my new design;
FIG. 2 is a front view thereof;
FIG. 3 is a back side view thereof;
FIG. 4 is a left side view thereof;
FIG. 5 is a right side view thereof;
FIG. 6 is a top plan view thereof;
FIG. 7 is a bottom view thereof; and,
FIG. 8 is a perspective view thereof; shown in an open position for clarity of illustration.

[56] **References Cited**

U.S. PATENT DOCUMENTS

D. 301,556 6/1989 Okada D10/97
D. 349,859 8/1994 Asano D10/46.1
D. 353,110 12/1994 Calabrese et al. D10/46.1



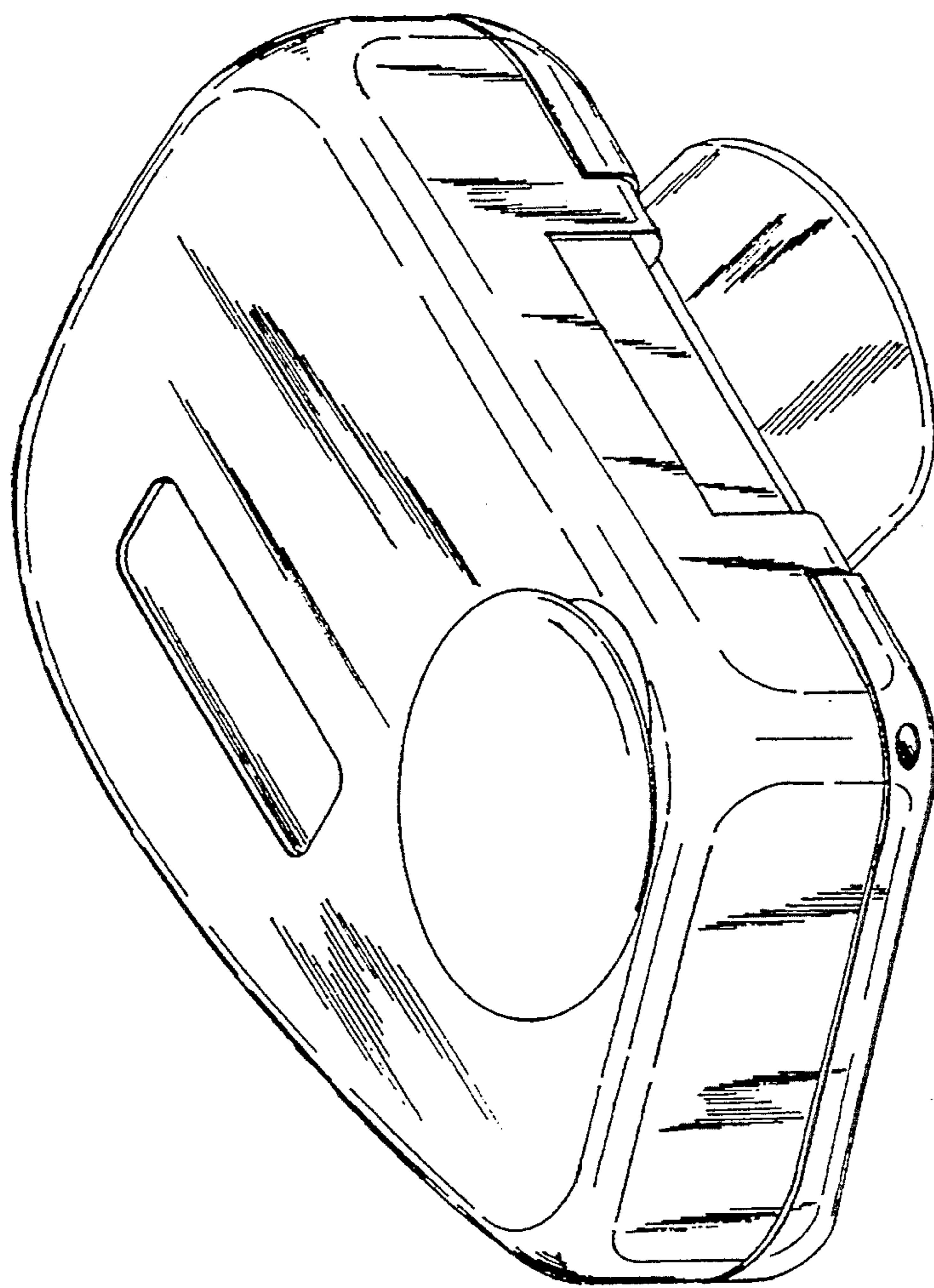


FIG. 1

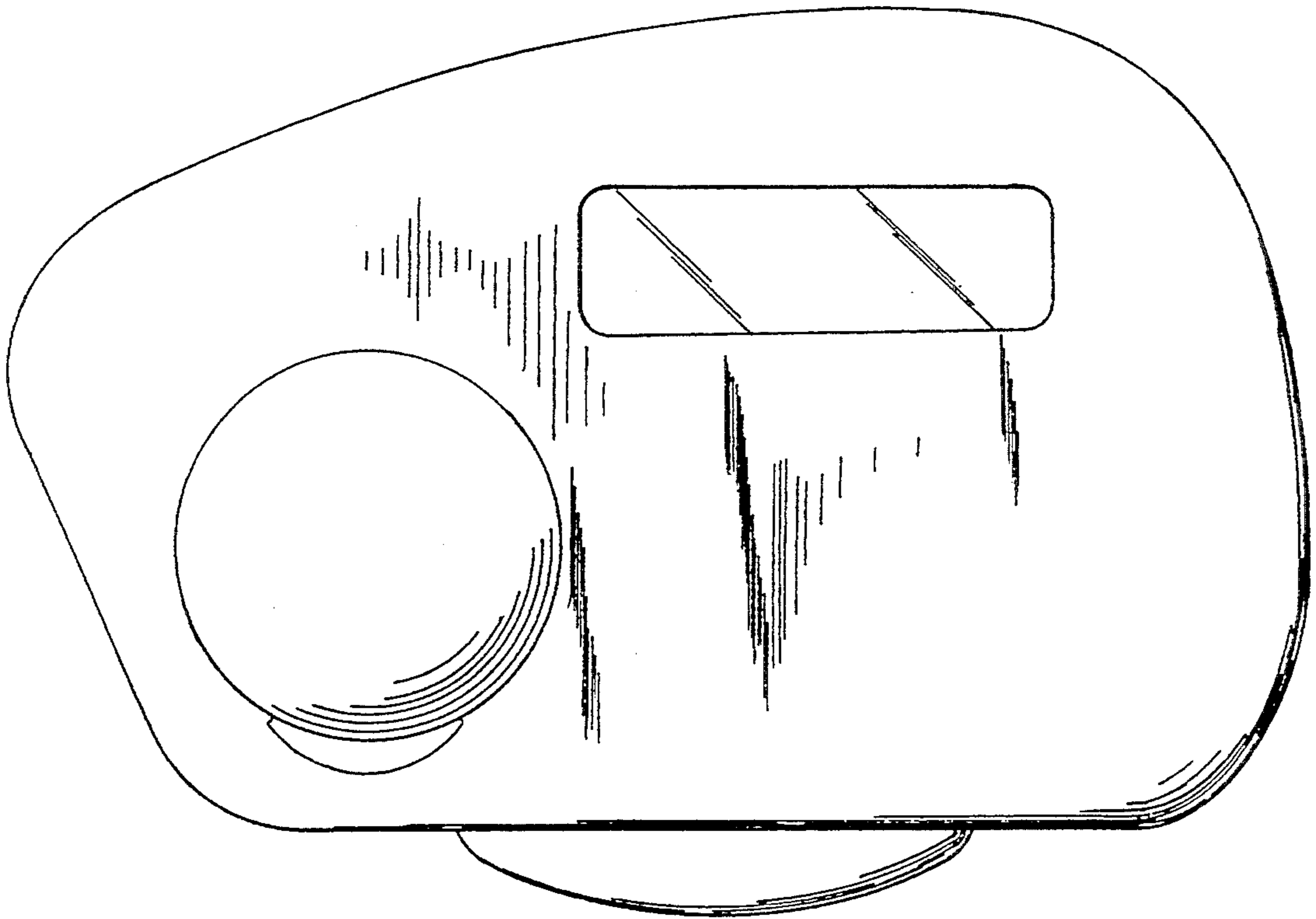


FIG. 2

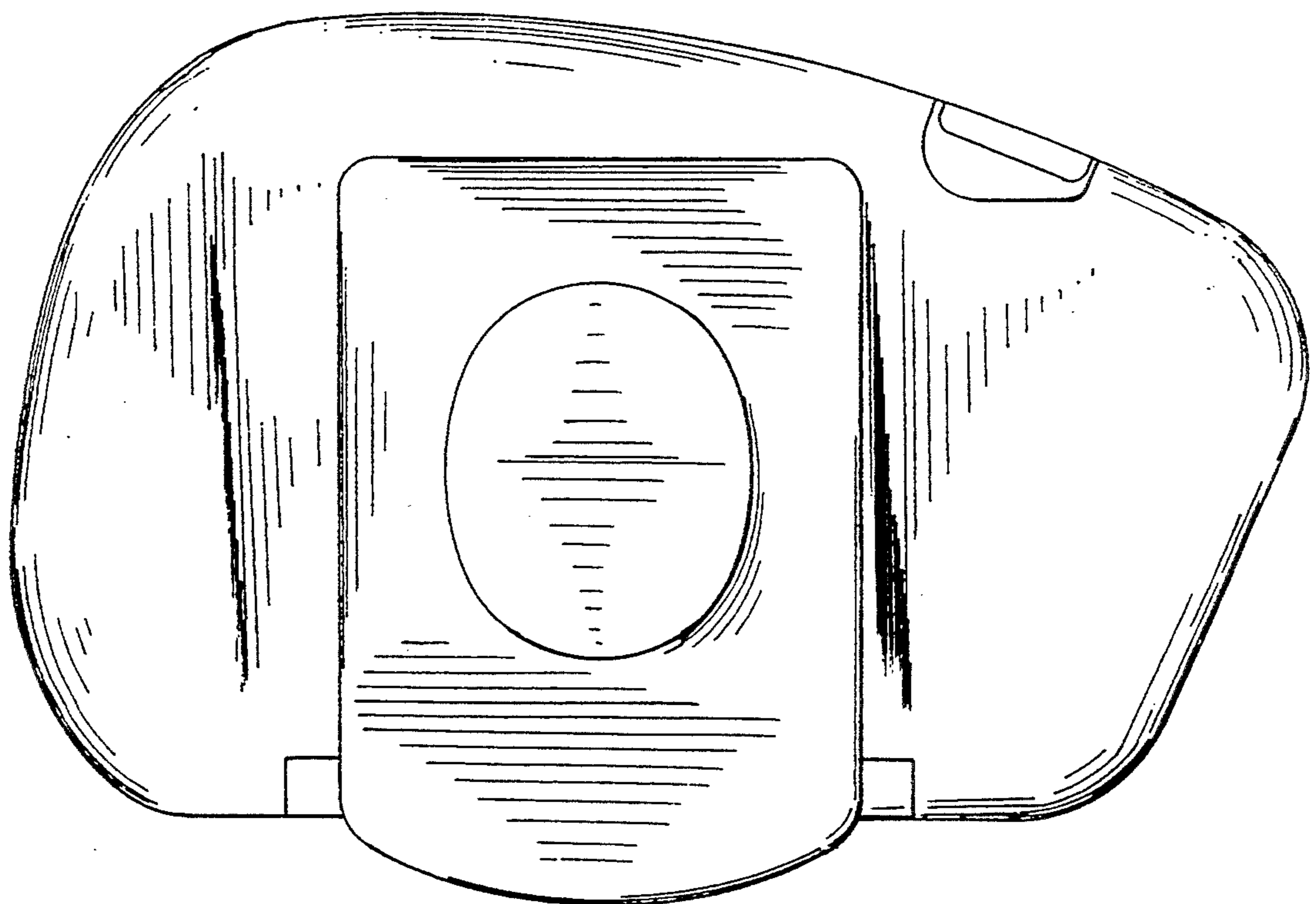


FIG. 3

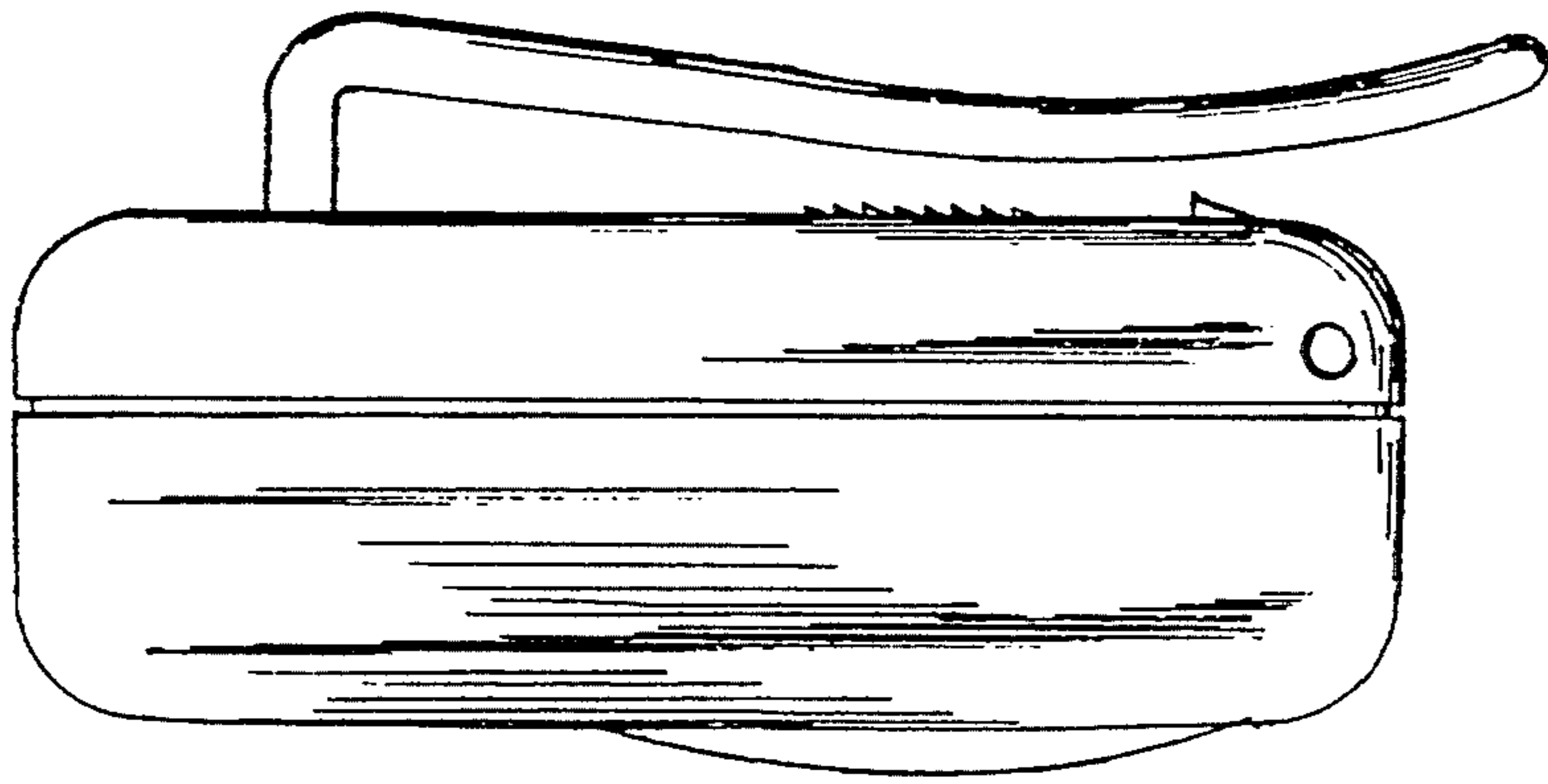


FIG. 5

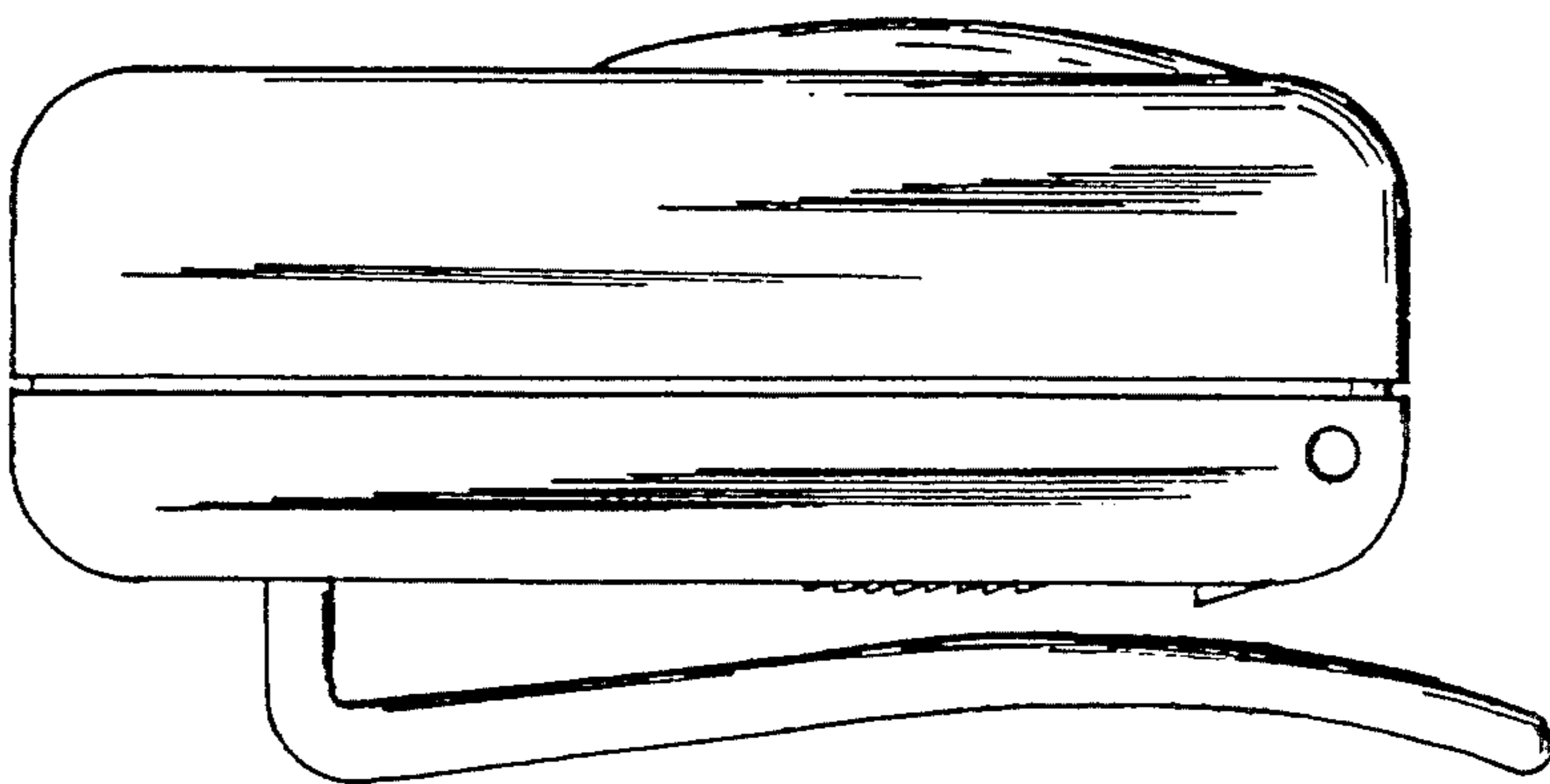


FIG. 4

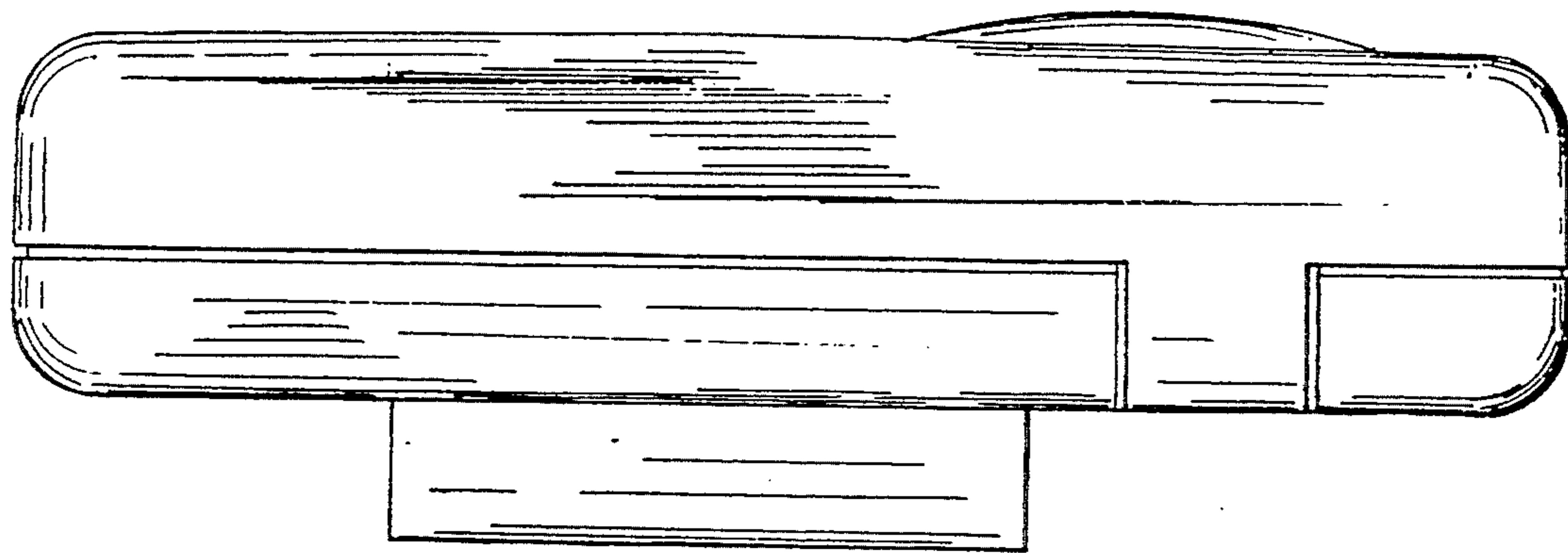


FIG. 6

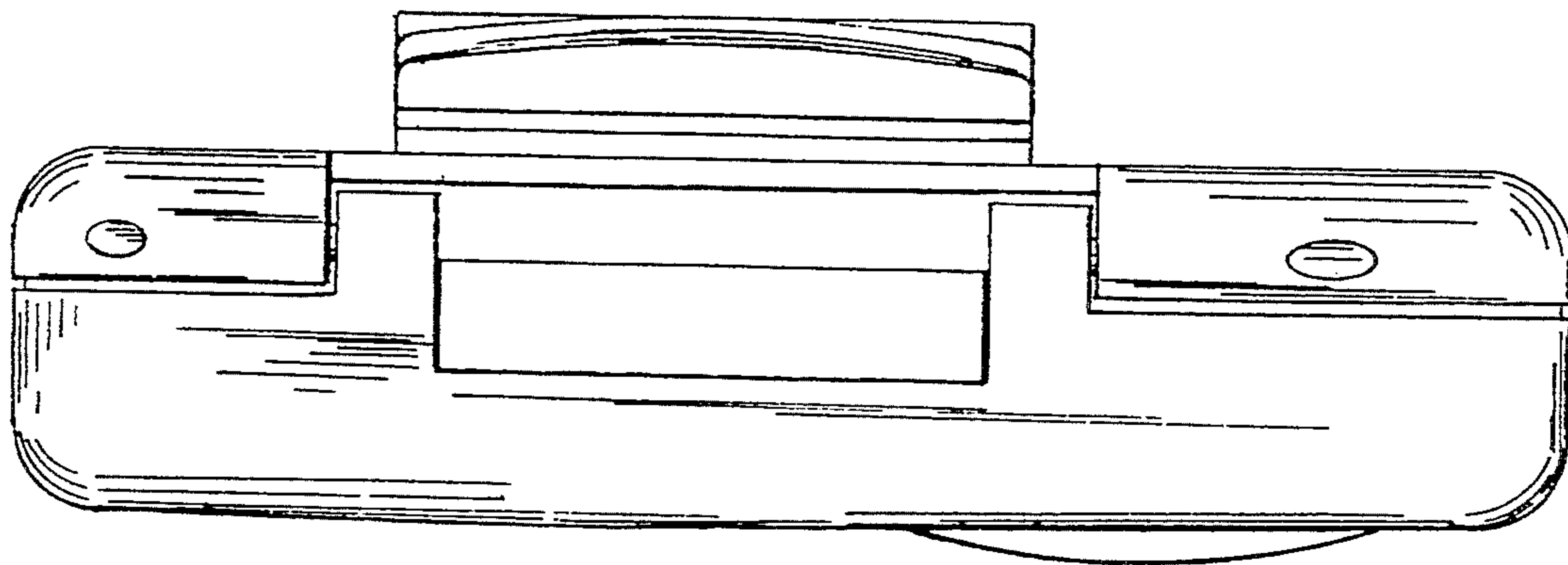


FIG. 7

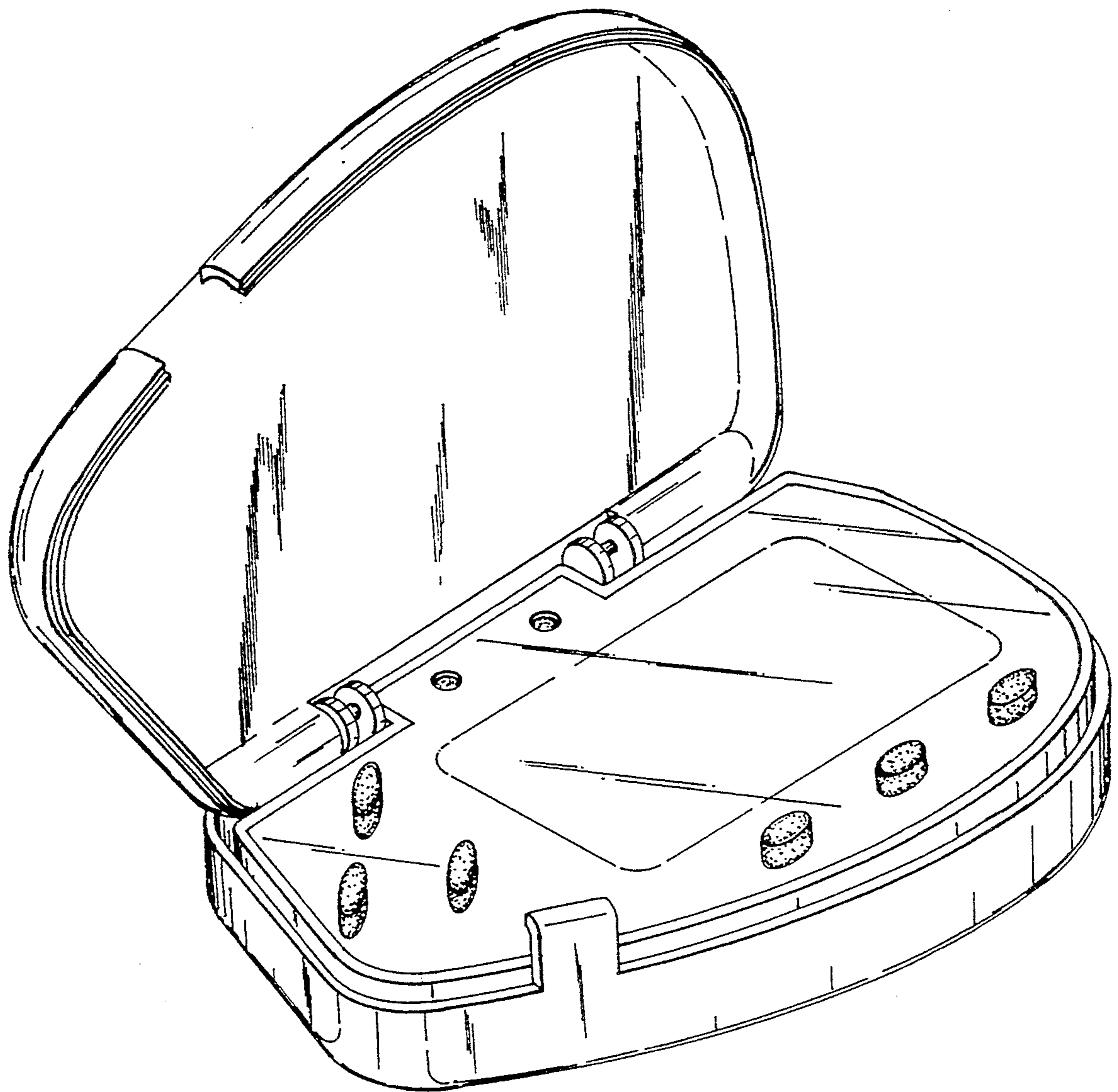


FIG.8