



US00D360585S

# United States Patent [19]

[11] Patent Number: **Des. 360,585**

Sell

[45] Date of Patent: **\*\* Jul. 25, 1995**

[54] TRAVEL CLOCK

[75] Inventor: **Anthony Sell, Crystal Lake, Ill.**

[73] Assignee: **Spartus Corporation, Arlington Heights, Ill.**

[\*\*] Term: **14 Years**

[21] Appl. No.: **21,627**

[22] Filed: **Apr. 21, 1994**

[52] U.S. Cl. .... **D10/18; D10/15**

[58] Field of Search ..... **D10/1-40, D10/122-132; 368/10, 72-73, 75, 82-89, 239-243**

[56] **References Cited**

**U.S. PATENT DOCUMENTS**

D. 326,651	6/1992	Ogasawara	.....	D10/2 X
D. 333,159	2/1993	Peersman	.....	D10/2 X
D. 346,166	4/1994	Wong	.....	D10/2 X

*Primary Examiner*—Nelson C. Holtje

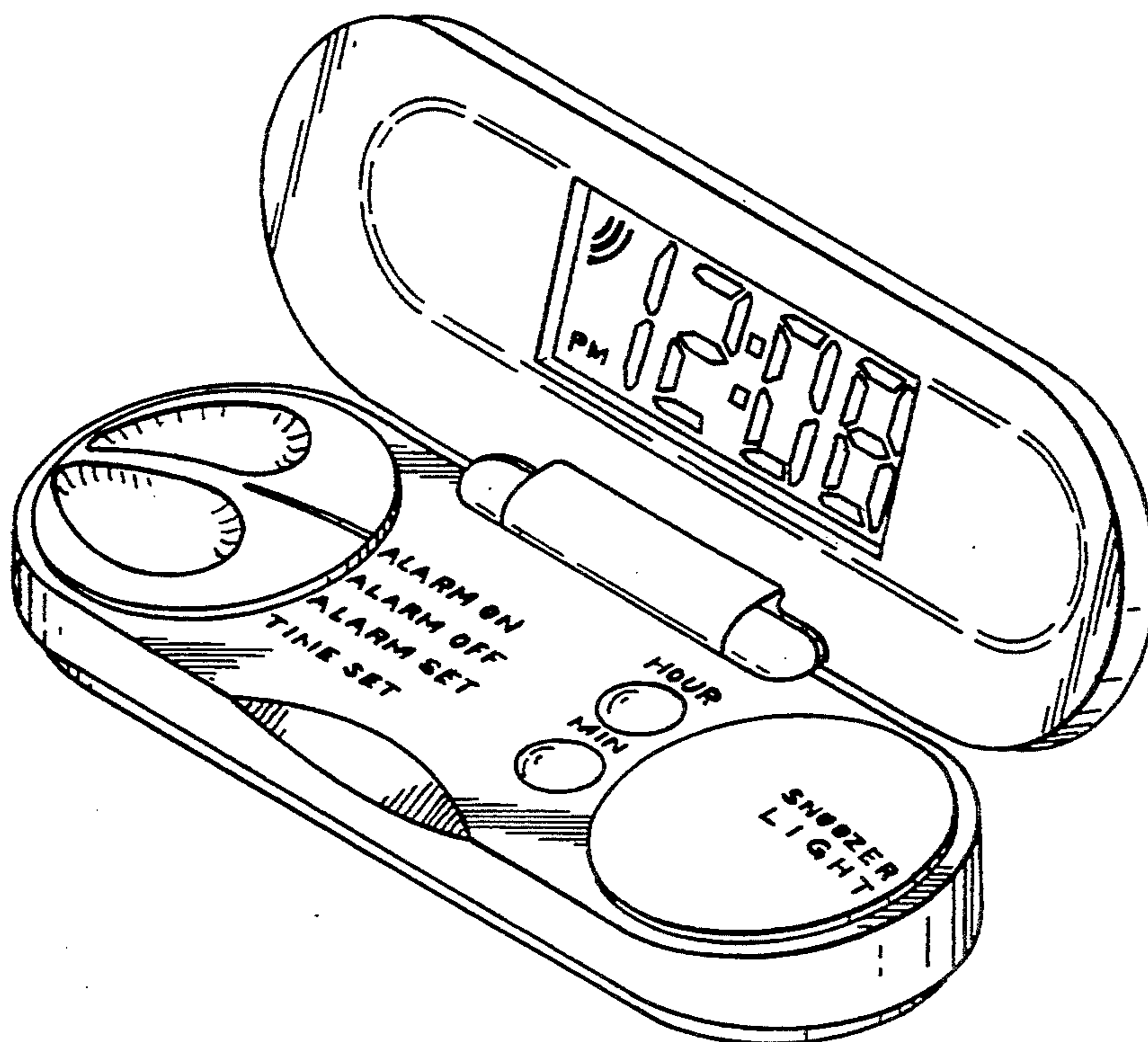
*Attorney, Agent, or Firm*—Seidel Gonda Lavorgna & Monaco

[57] **CLAIM**

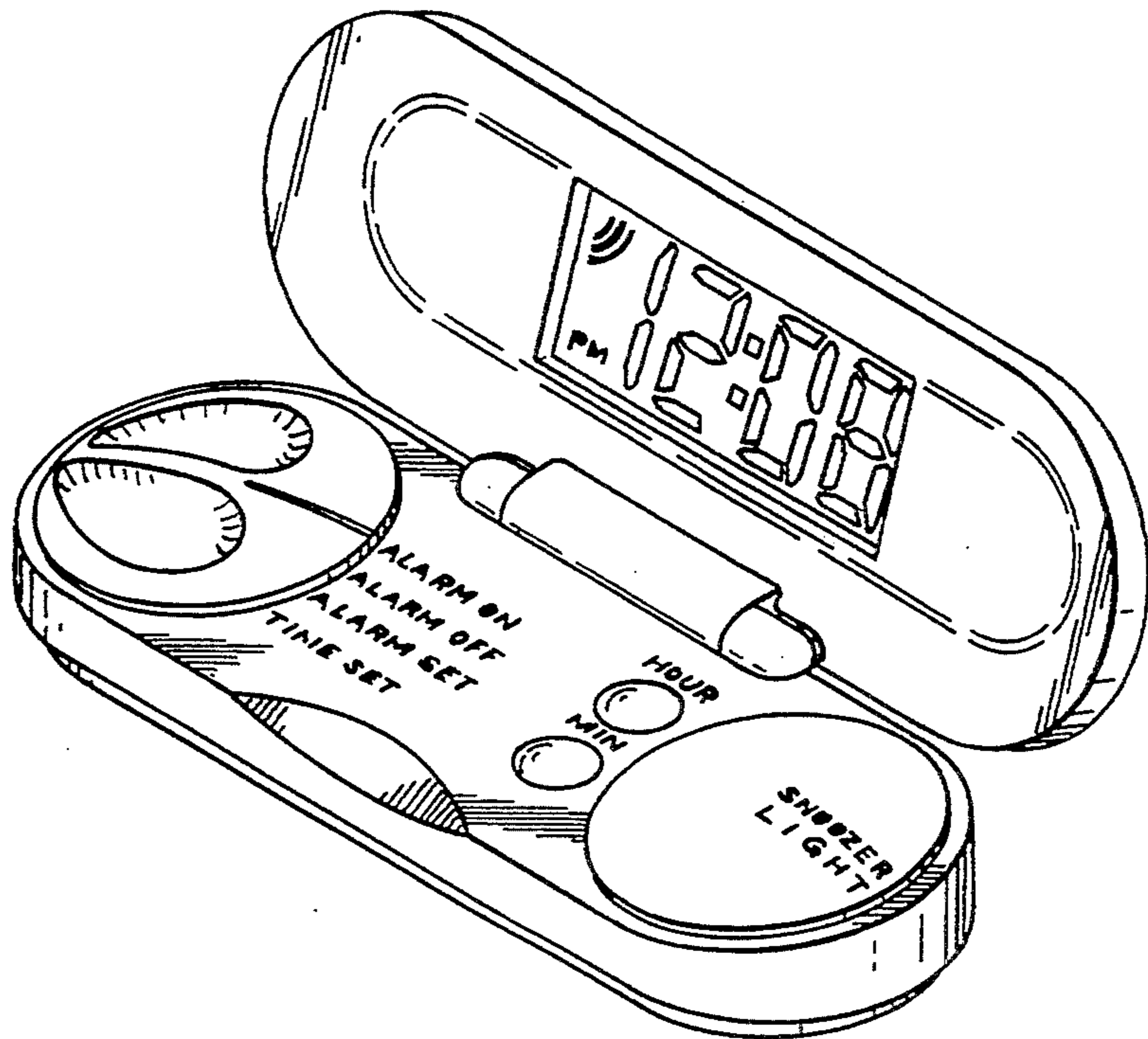
The ornamental design of a travel clock, as shown and described.

**DESCRIPTION**

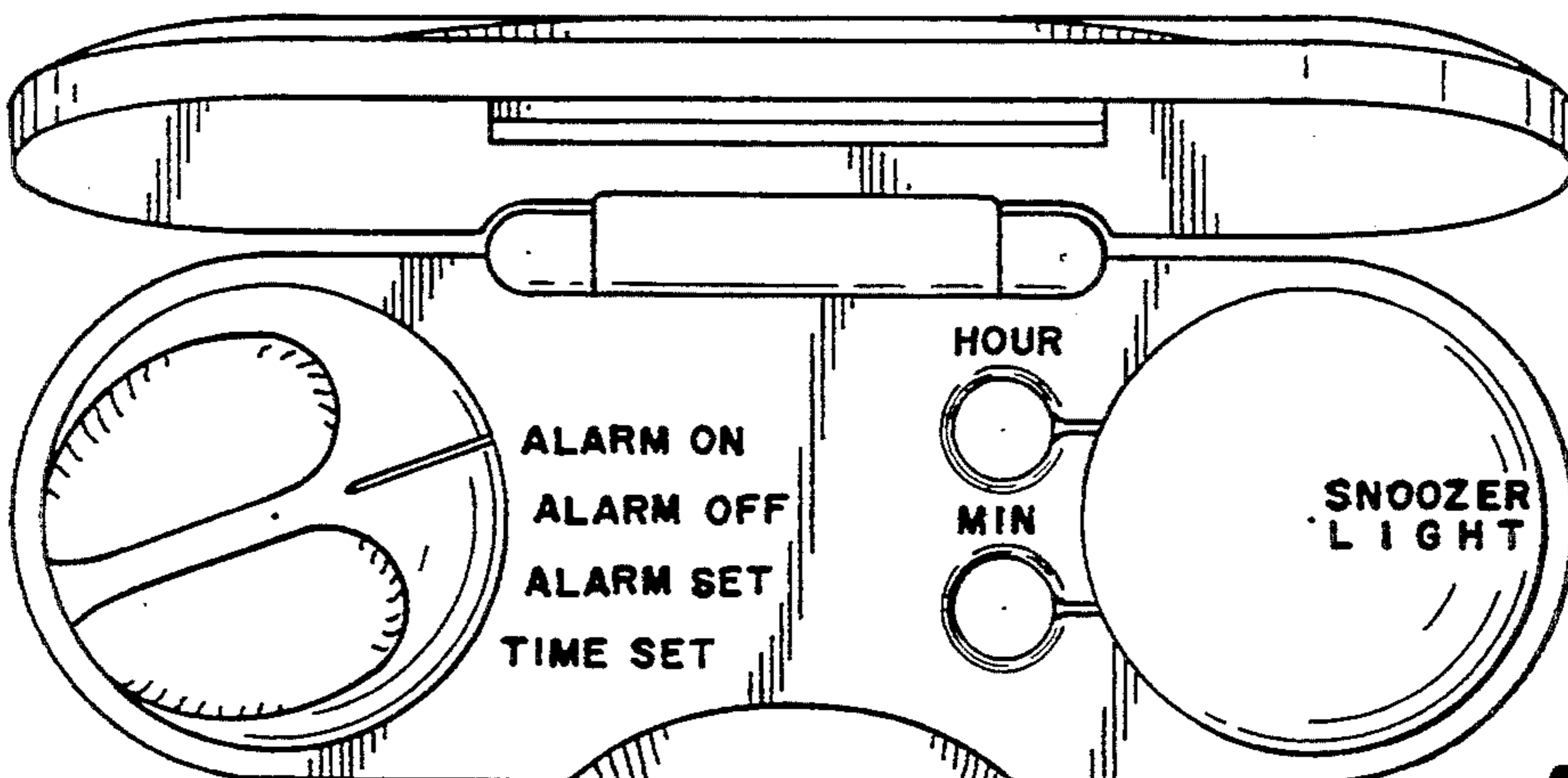
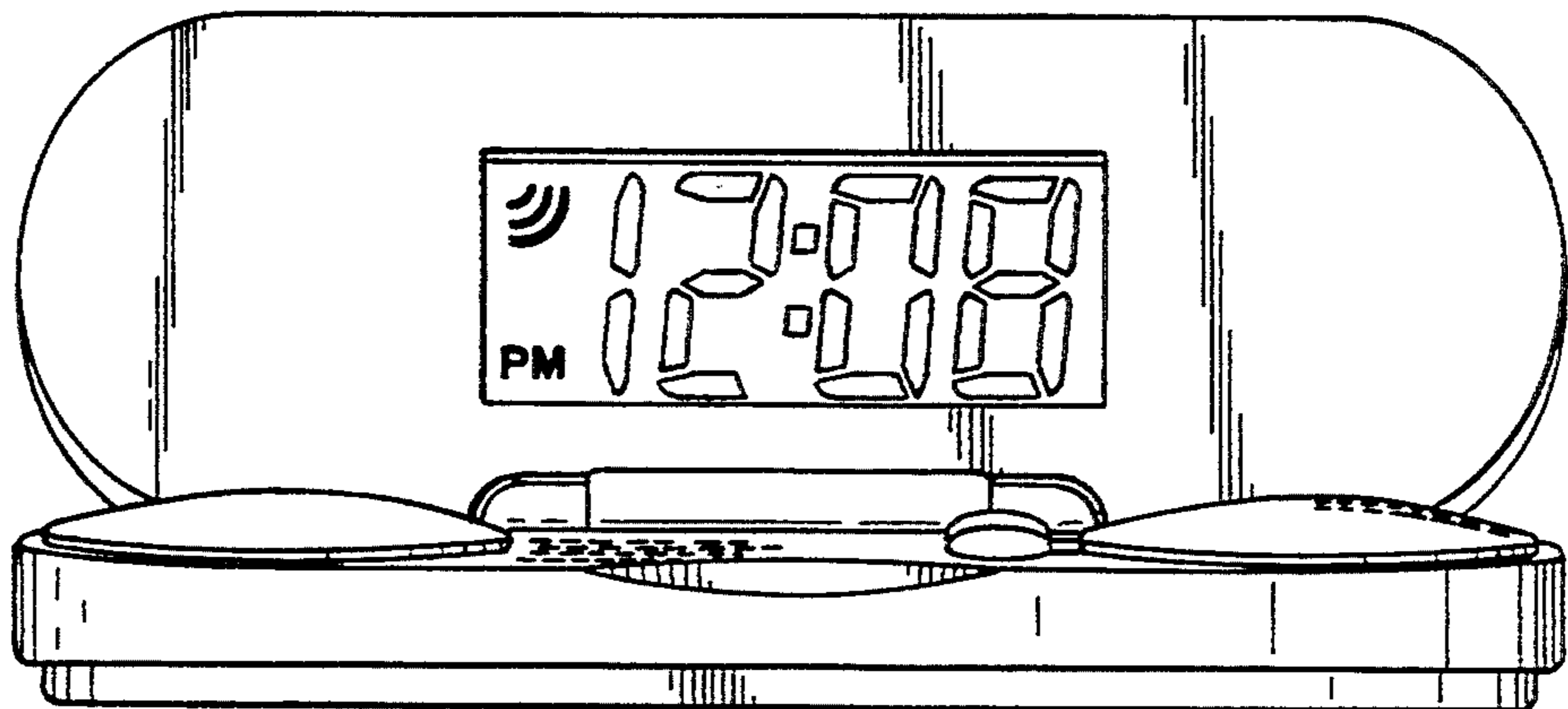
FIG. 1 is an isometric view of a travel clock showing the design according to my invention;  
 FIG. 2 is a front elevational view of the travel clock of FIG. 1;  
 FIG. 3 is a top plan view of the travel clock of FIG. 1;  
 FIG. 4 is a right side elevational view of the travel clock of FIG. 1;  
 FIG. 5 is a left side elevational view of the travel clock of FIG. 1;  
 FIG. 6 is a rear elevational view of the travel clock of FIG. 1;  
 FIG. 7 is a bottom plan view of the travel clock of FIG. 1; and,  
 FIG. 8 is an isomeric view of the travel clock of FIG. 1, with the cover closed.



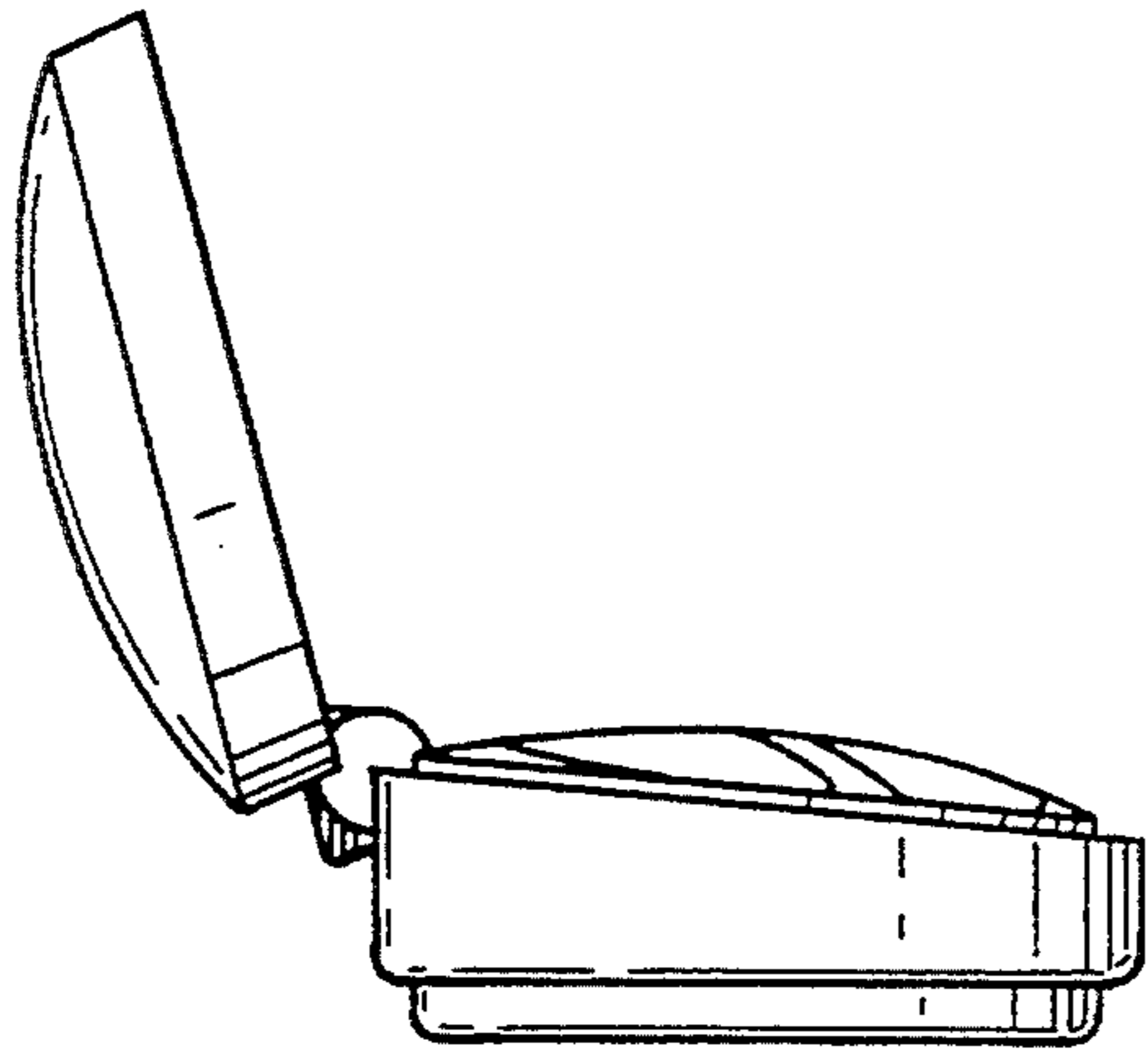
**FIG. 1**



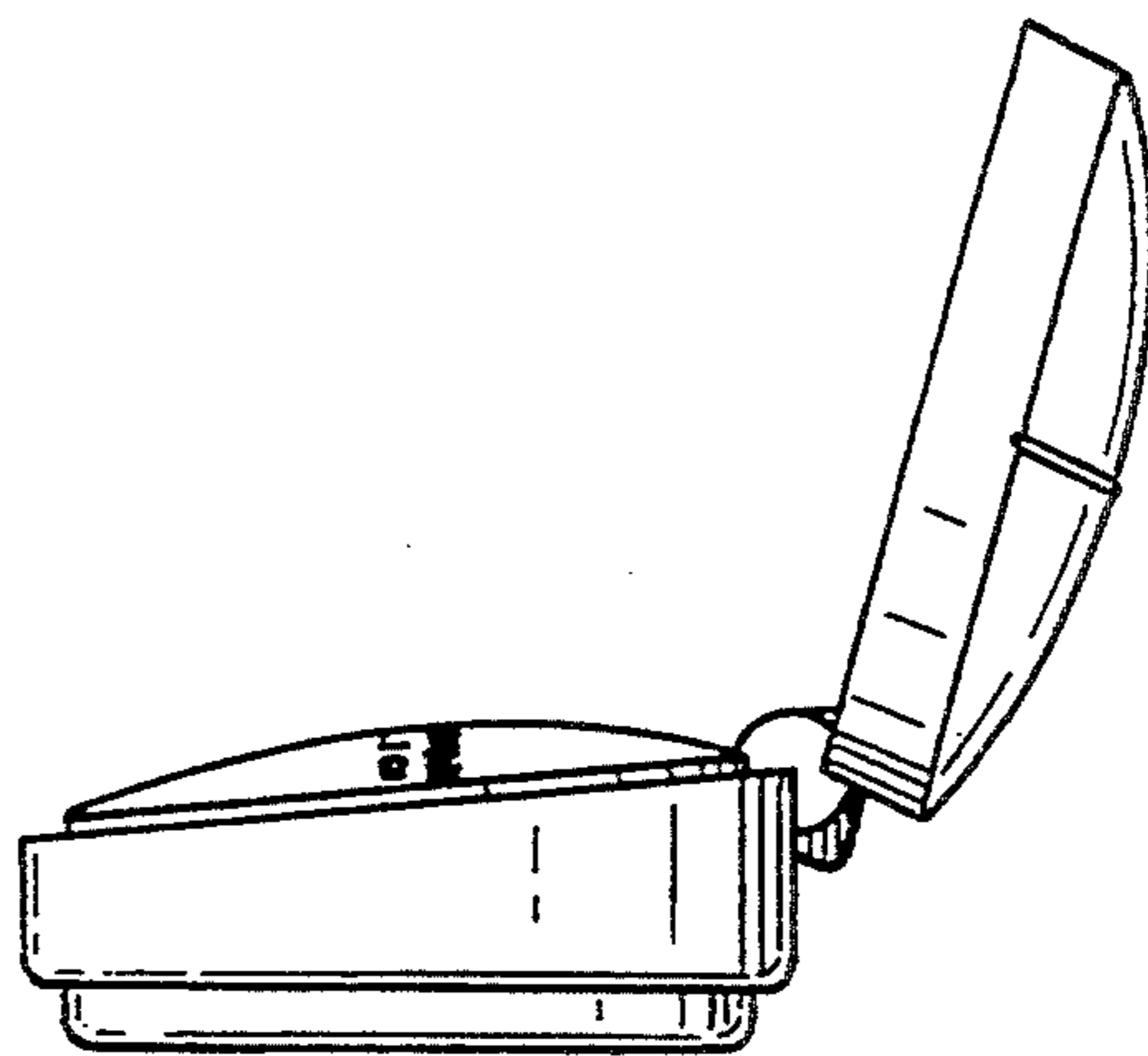
**FIG. 2**



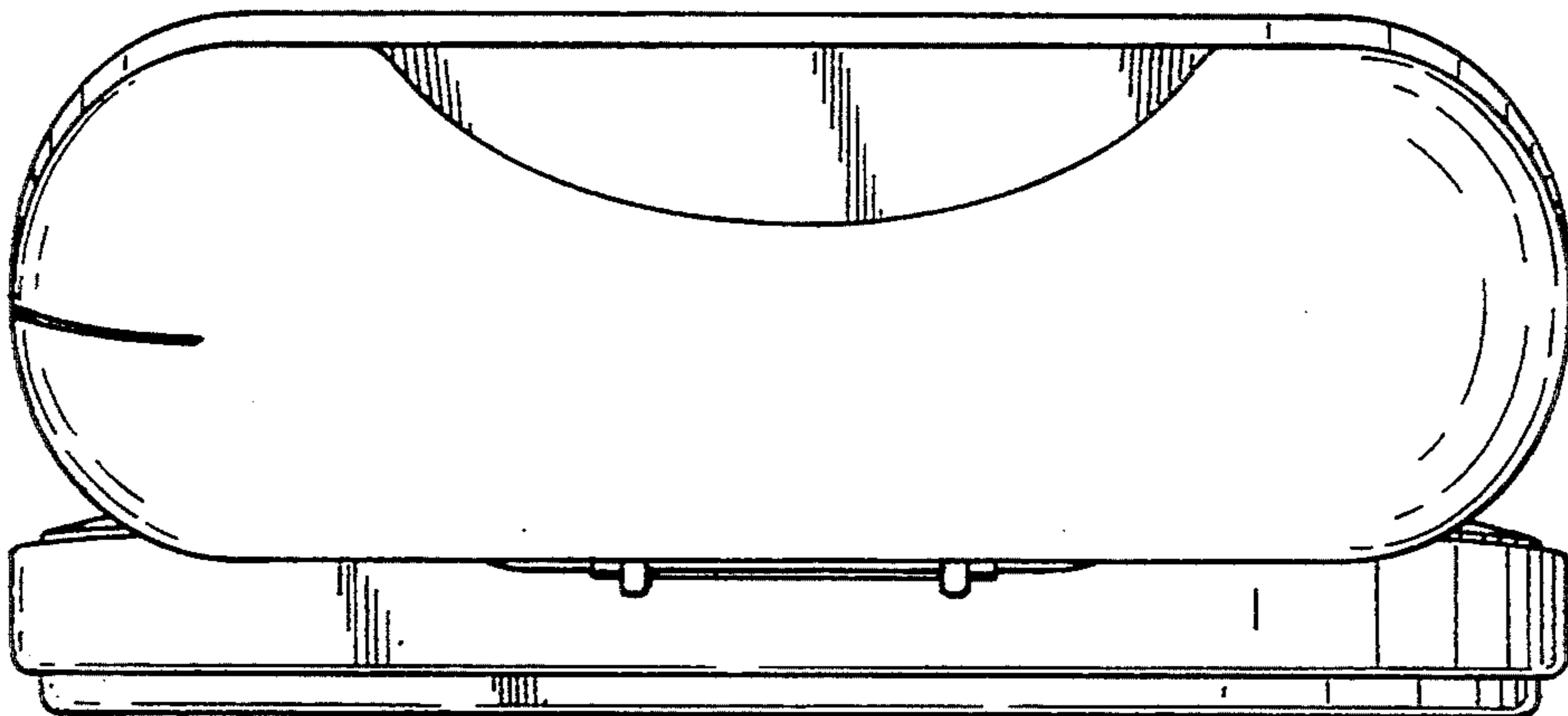
**FIG. 3**



**FIG. 4**



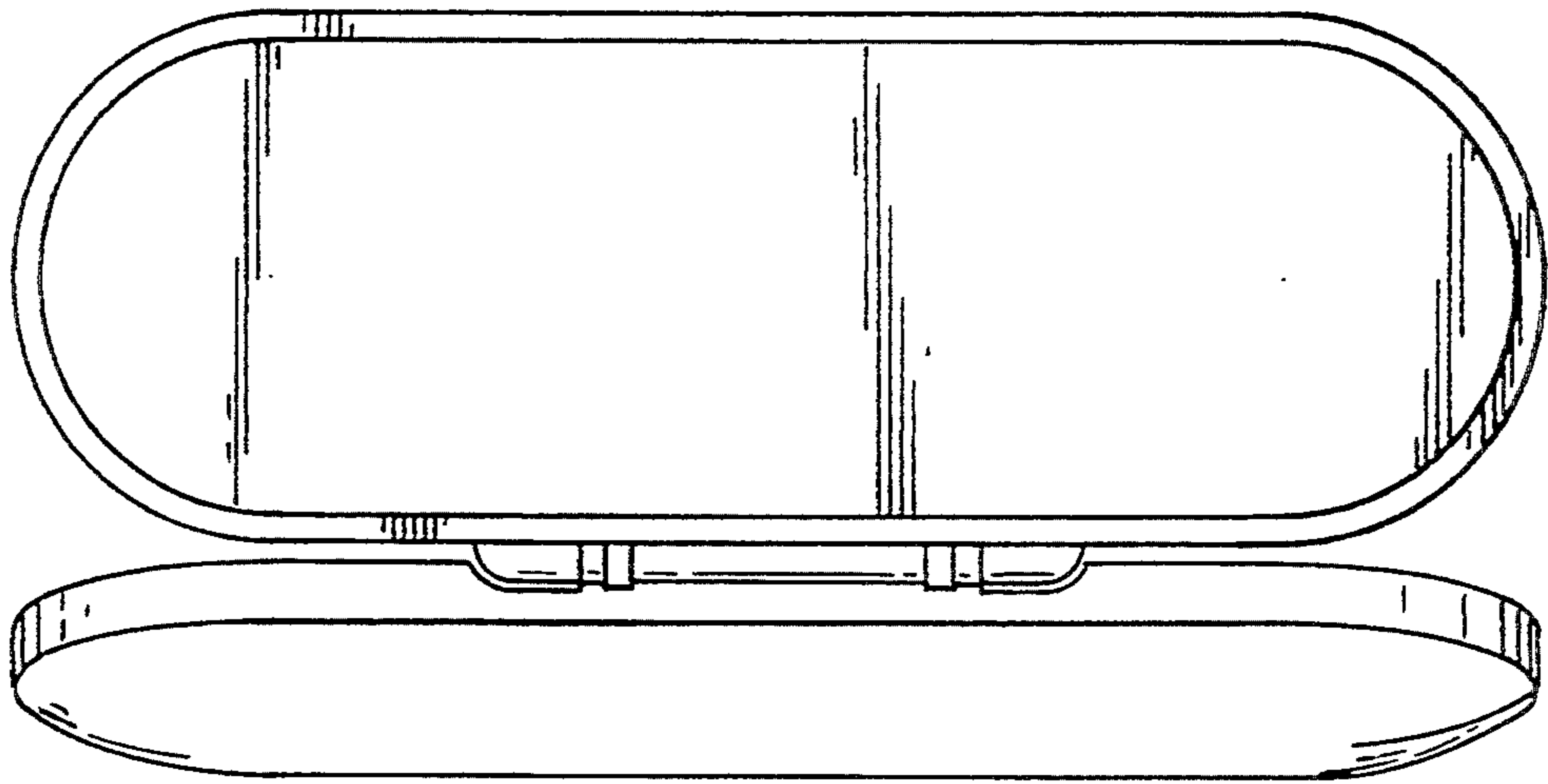
**FIG. 5**



**FIG. 6**



**FIG. 7**



**FIG. 8**

