



US00D360581S

**United States Patent** [19]  
**Dikowitz**

[11] **Patent Number: Des. 360,581**  
[45] **Date of Patent: \*\* Jul. 25, 1995**

[54] **STRAP BOX**  
[75] **Inventor: Jerry Dikowitz, Plainview, N.Y.**  
[73] **Assignee: E. Gluck Corporation, Long Island City, N.Y.**  
[\*\*] **Term: 14 Years**  
[21] **Appl. No.: 20,186**  
[22] **Filed: Mar. 21, 1994**  
[52] **U.S. Cl. .... D9/430; D9/418**  
[58] **Field of Search .... D9/430, 431, 424, 423, D9/337, 414; 229/109; 220/334, 337, 376, 353-356; 206/6.1, 216, 45.34, 45.31, 508, 823; D3/201, 273, 274, 294, 903**

2,819,833 1/1958 Sauer ..... 229/109  
4,011,947 3/1977 Sawyer ..... 206/45.34 X  
4,114,795 9/1978 Mulroy ..... 229/109  
4,899,927 2/1990 Straub et al. .... 229/109

**OTHER PUBLICATIONS**

Modern Packaging, 1954, p. 64.  
Packaging Catalog, 1959, p. 167.

*Primary Examiner*—Prabhakar G. Deshmukh  
*Attorney, Agent, or Firm*—Gottlieb, Rackman & Reisman

[57] **CLAIM**

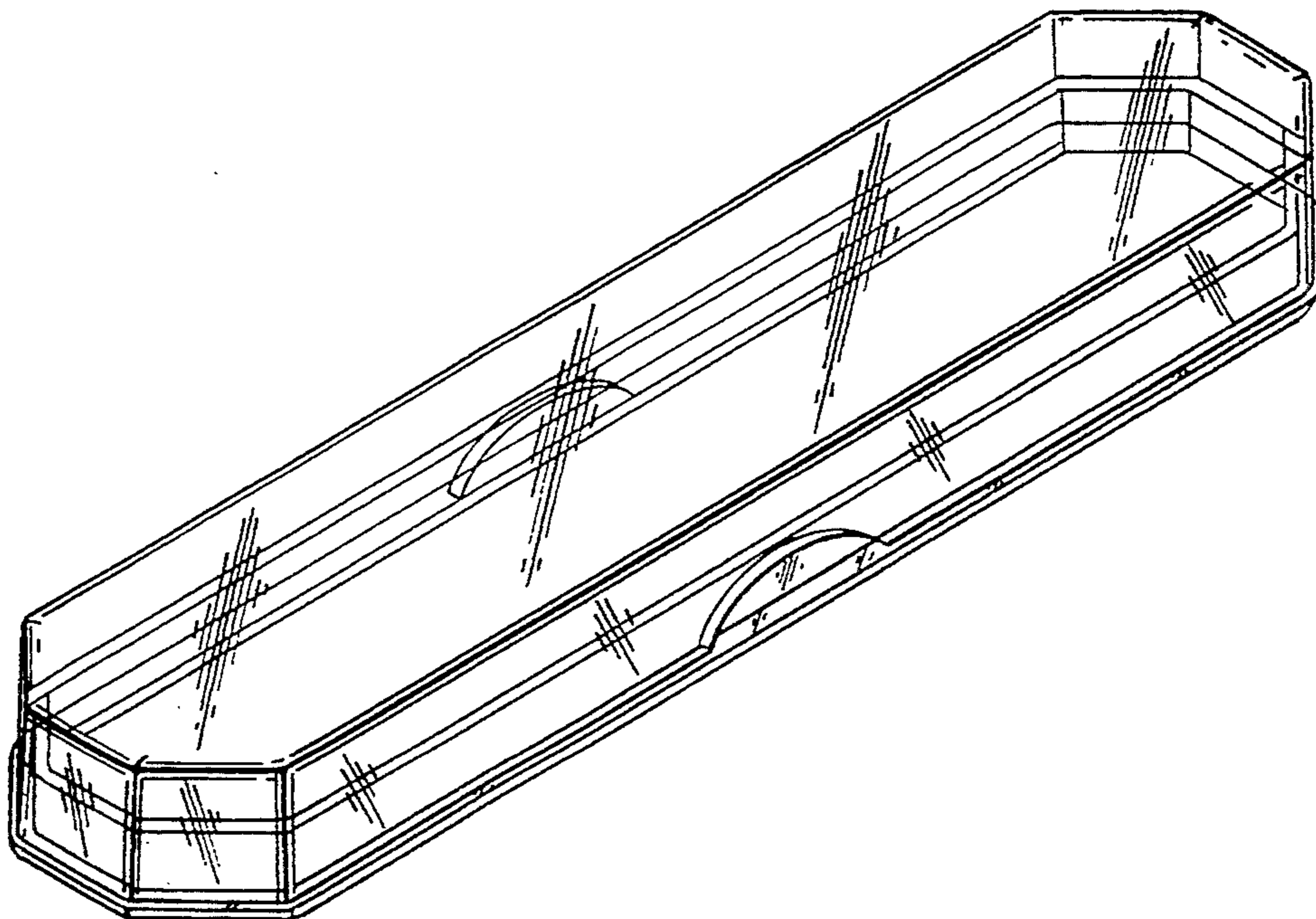
The ornamental design for a strap box, as shown and described.

**DESCRIPTION**

FIG. 1 is a perspective view of a strap box showing my new design;  
FIG. 2 is a top plan view thereof;  
FIG. 3 is a front elevational view thereof; the rear elevational view being a mirror image thereof;  
FIG. 4 is a left side elevational view thereof; the right side elevational view being a mirror image thereof; and,  
FIG. 5 is a bottom plan view thereof.

[56] **References Cited**  
**U.S. PATENT DOCUMENTS**

D. 21,372 3/1892 Meinecke ..... D9/347  
D. 202,446 9/1965 Braun ..... D9/423  
D. 289,262 4/1987 Goetz et al. .... D9/423 X  
D. 315,099 3/1991 Alizard ..... D9/424  
D. 342,895 1/1994 Mall ..... D9/423  
D. 344,234 2/1994 Kaplan ..... D9/423



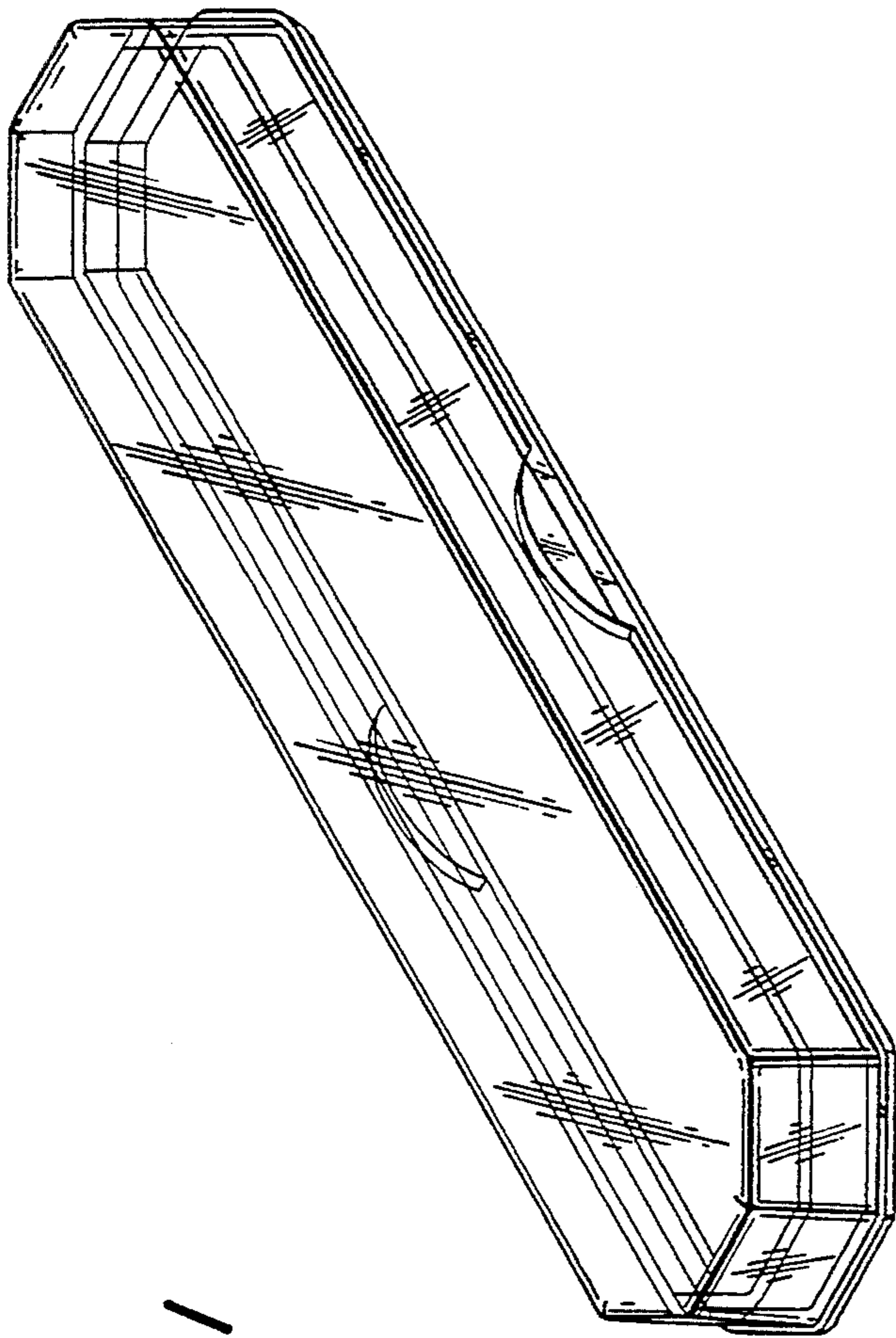
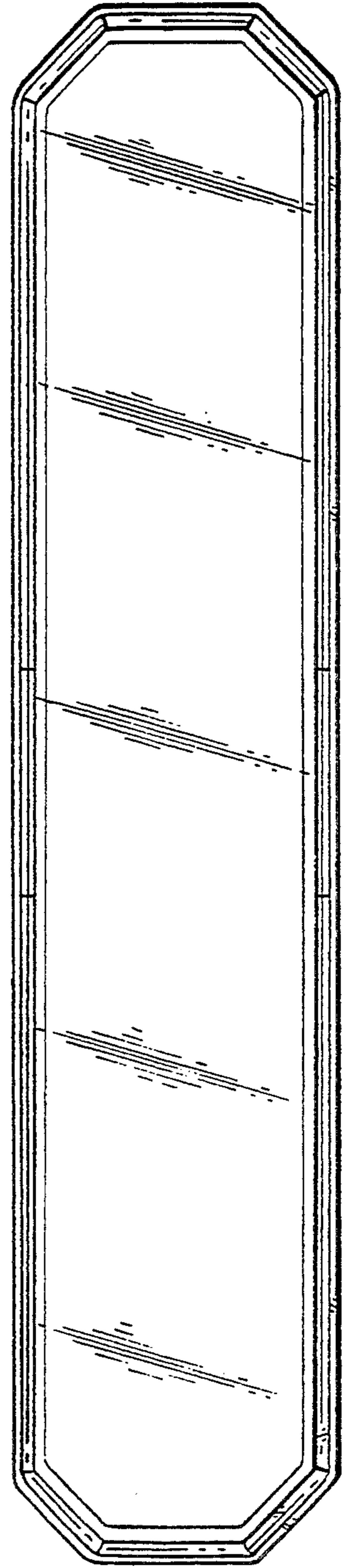


FIG. 1

FIG. 2



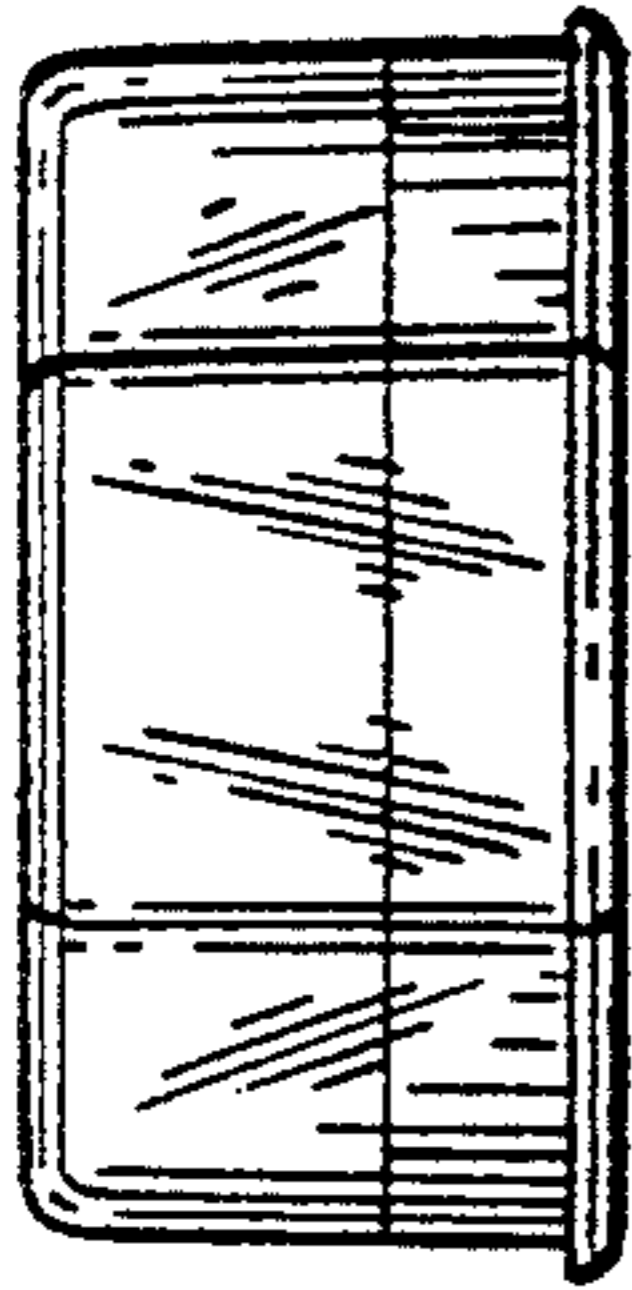


FIG. 3

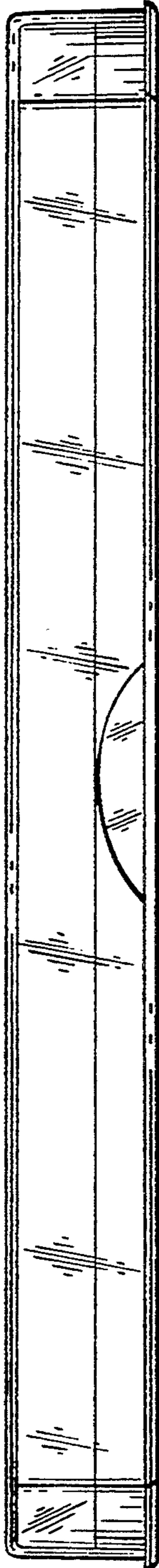


FIG. 4

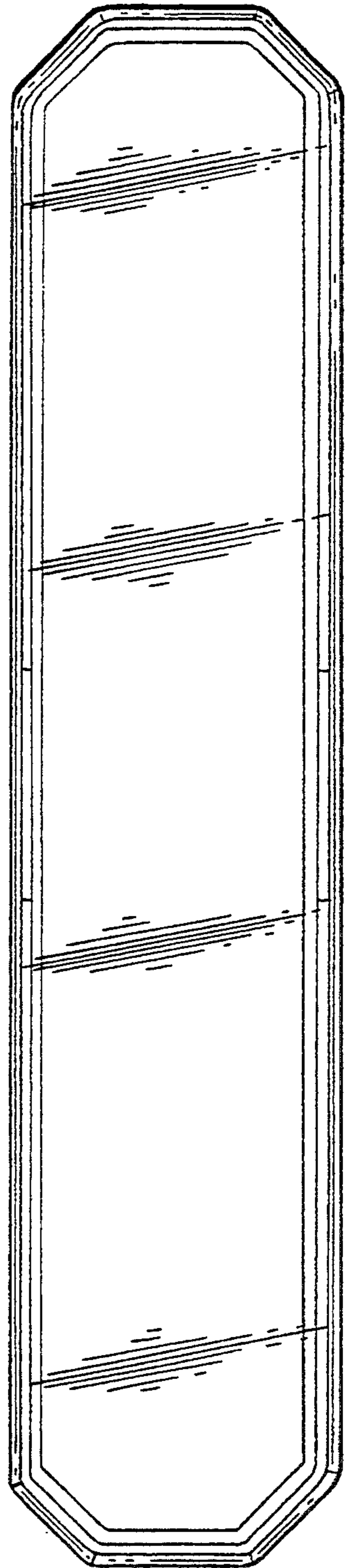


FIG. 5