



US00D360579S

United States Patent [19]

[11] Patent Number: **Des. 360,579**

Accarias

[45] Date of Patent: **** Jul. 25, 1995**

[54] PAINT CAN SPOUT AND LID

[76] Inventor: **Raymond P. Accarias**, R.R. 1, Site 14,
Comp. 5, Osoyoos, British Columbia,
Canada, V0H 1V0

[**] Term: **14 Years**

[21] Appl. No.: **11,168**

[22] Filed: **Jul. 27, 1993**

[52] U.S. Cl. **D9/447**

[58] Field of Search D9/434-436,
D9/440, 447, 449, 454, 499; D15/28; D32/53.1,
54; 206/813; 215/298, 317; 220/288, 306, 701;
222/569-571

[56] **References Cited**

U.S. PATENT DOCUMENTS

D. 26,539 1/1897 Schram D9/447

D. 206,971	2/1967	Williams	D9/447
D. 218,733	9/1970	Melville	D9/446
D. 241,125	8/1976	Knapp	D9/447
3,645,262	2/1972	Harrigan	222/566
4,865,233	9/1989	Kain	222/570
5,031,804	7/1991	Conrad	222/566

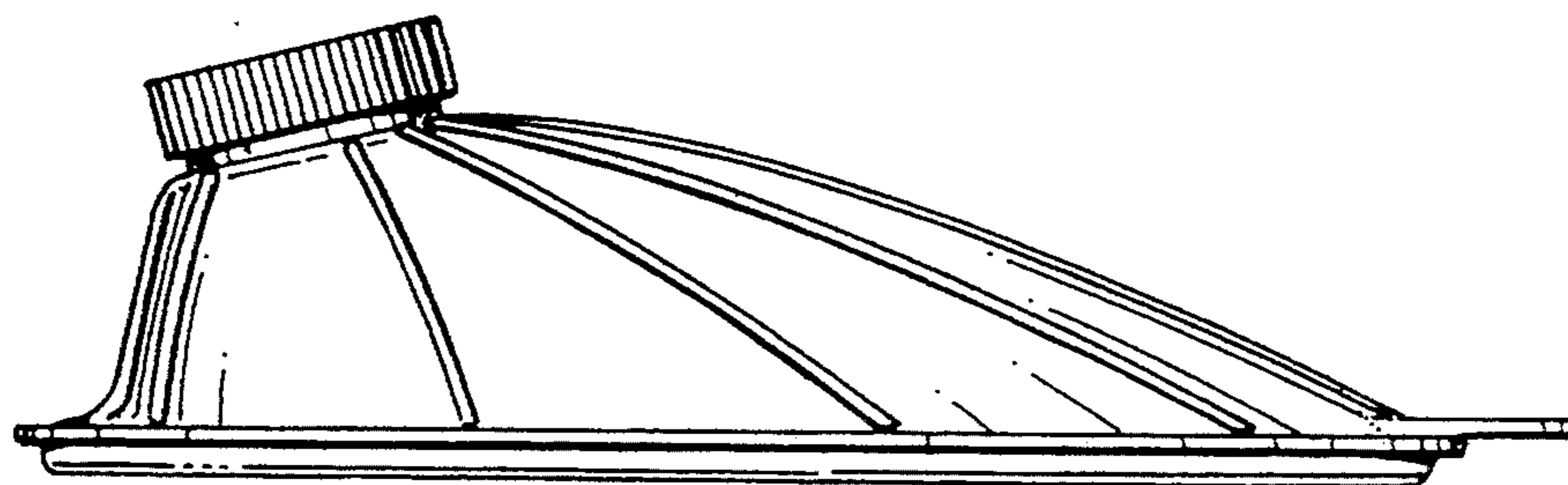
Primary Examiner—Alan P. Douglas
Assistant Examiner—R. Spear
Attorney, Agent, or Firm—George A. Seaby

[57] **CLAIM**

The ornamental design for a paint can spout and lid, as shown.

DESCRIPTION

FIG. 1 is a side elevational view of a paint can spout and lid showing my new design;
FIG. 2 is a top elevational view thereof;
FIG. 3 is an end elevational view thereof; and,
FIG. 4 is a bottom elevational view thereof.



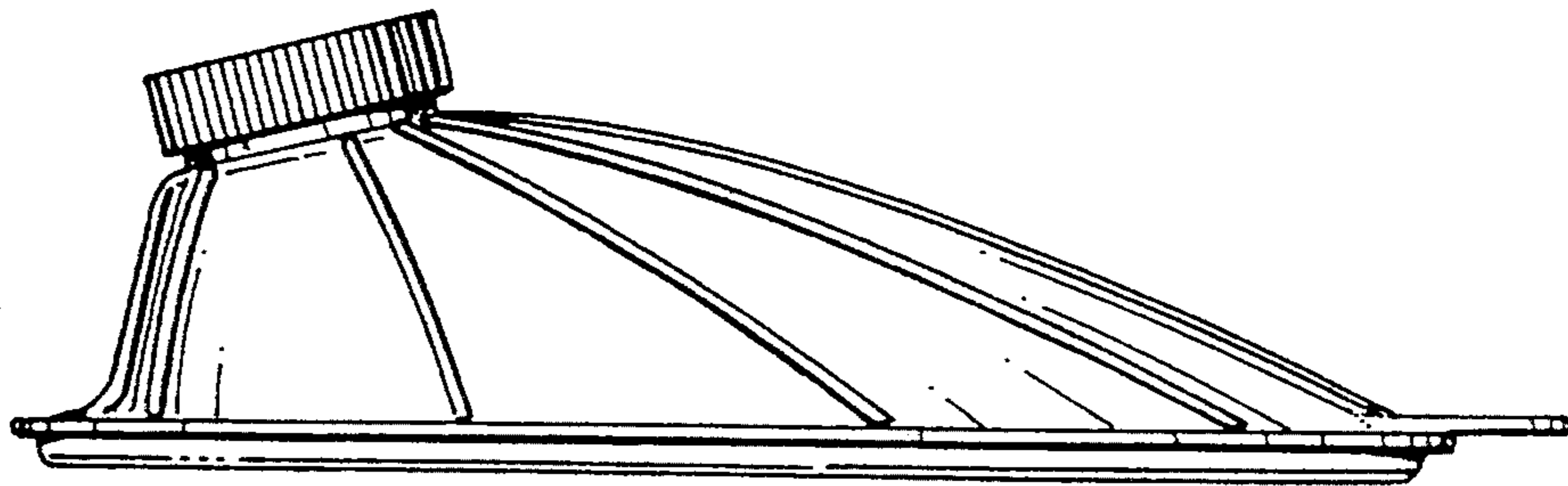


FIG. 1

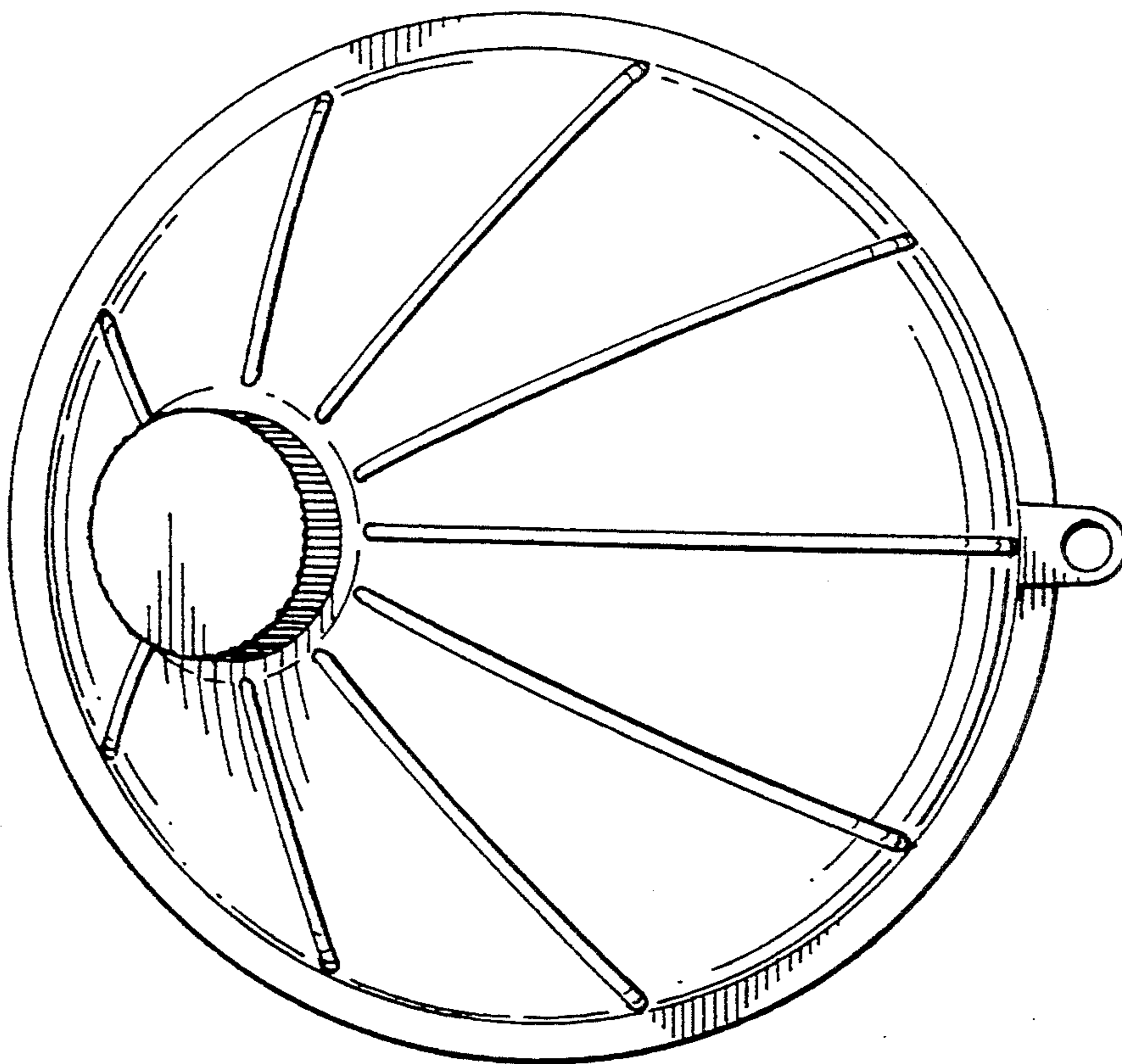


FIG. 2

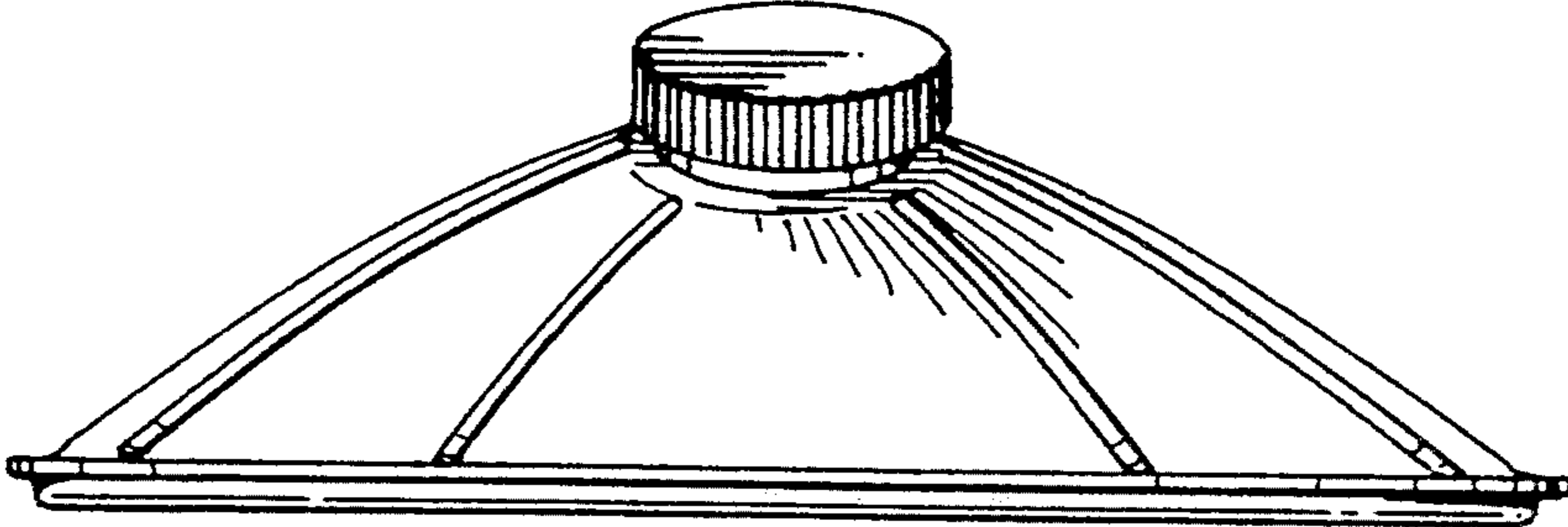


FIG. 3

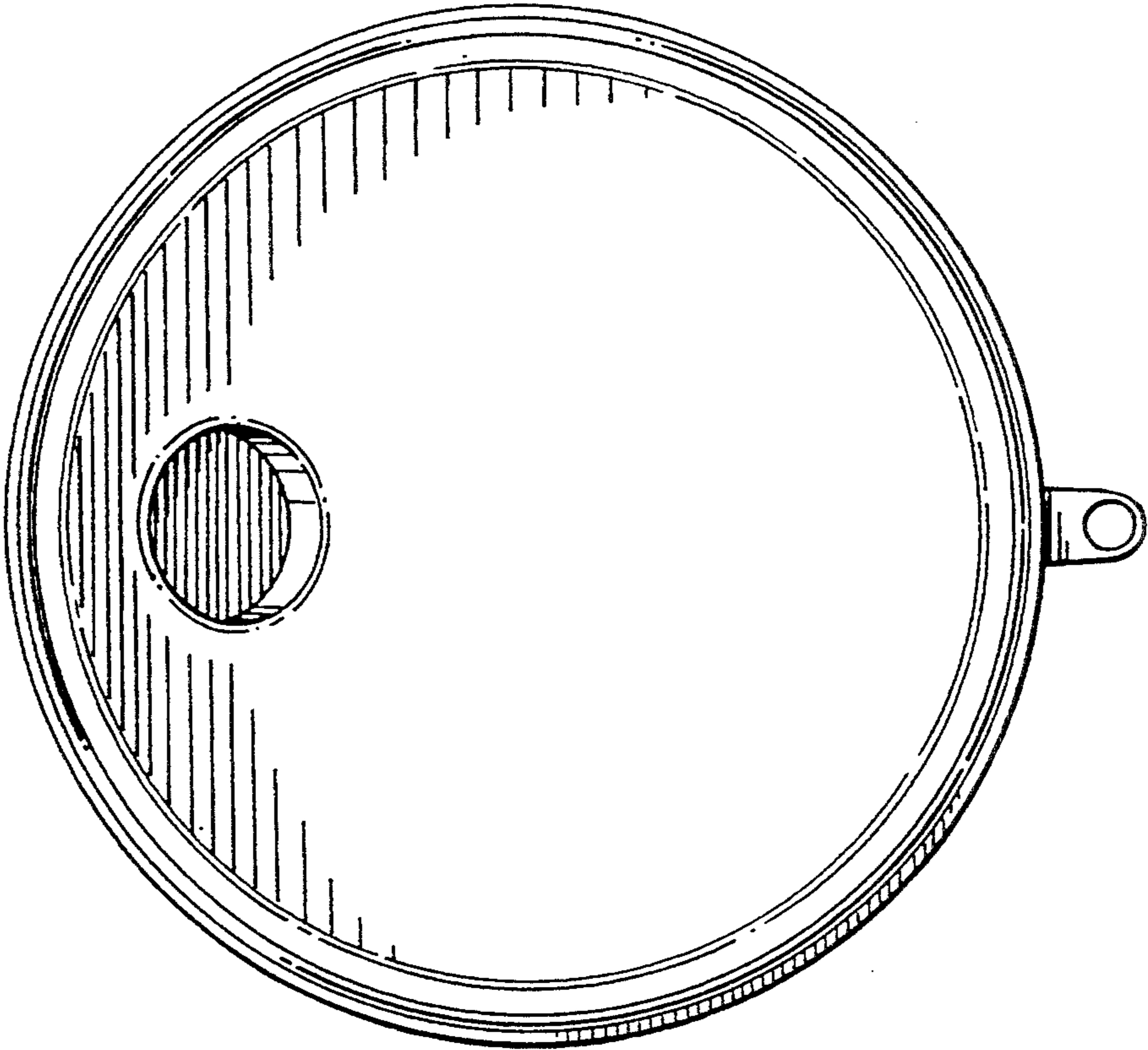


FIG. 4