



US00D360576S

United States Patent [19]
Bech

[11] **Patent Number: Des. 360,576**
[45] **Date of Patent: * Jul. 25, 1995**

[54] **BOTTLE**

[76] **Inventor: Frank W. Bech, Kokkedal**
Industripark 11, 1980 Kokkedal,
Denmark

[*] **Notice:** The portion of the term of this patent
subsequent to Sep. 22, 2006 has been
disclaimed.

[**] **Term: 14 Years**

[21] **Appl. No.: 907,458**

[22] **Filed: Jul. 6, 1992**

Related U.S. Application Data

[63] Continuation-in-part of Ser. No. 550,891, Jul. 11, 1990,
Pat. No. Des. 329,608.

[30] **Foreign Application Priority Data**

Jan. 12, 1990 [DK] Denmark 0037/1990

[52] **U.S. Cl.** **D9/301; D9/520;**
D9/551

[58] **Field of Search** D9/301, 500, 502, 503,
D9/551, 539, 537, 558, 520; 215/1 C; 220/666;
222/633

[56]

References Cited

U.S. PATENT DOCUMENTS

D. 188,816	9/1960	Friedberg	D9/301
D. 231,083	4/1974	Campbell	D9/551 X
D. 329,608	9/1992	Bech	D9/551
2,620,095	12/1952	Buchan	222/633
4,607,756	8/1986	Courtman	D9/520 X
4,645,078	2/1987	Reyner	215/1 C X

Primary Examiner—Lucy J. Lieberman
Attorney, Agent, or Firm—Popham, Haik, Schnobrich &
Kaufman, Ltd.

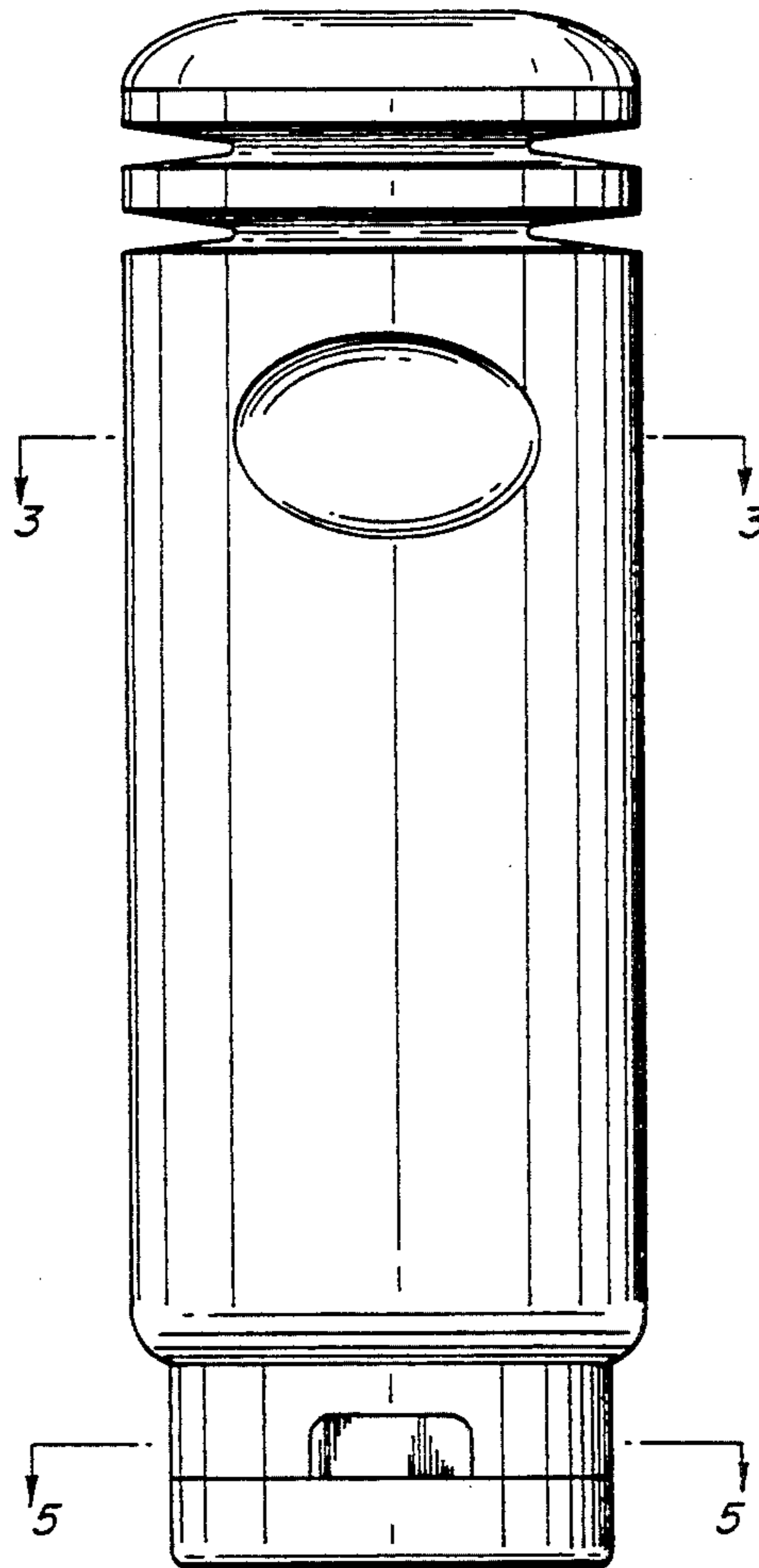
[57]

CLAIM

The ornamental design for a bottle, as shown and de-
scribed.

DESCRIPTION

FIG. 1 is a front elevational view of a bottle showing
my new design; the rear elevation is the same;
FIG. 2 is a bottom plan view thereof;
FIG. 3 is a cross-sectional view taken on line 3—3 of
FIG. 1;
FIG. 4 is a top plan view thereof; and,
FIG. 5 is a cross-sectional view taken on line 5—5 of
FIG. 1.



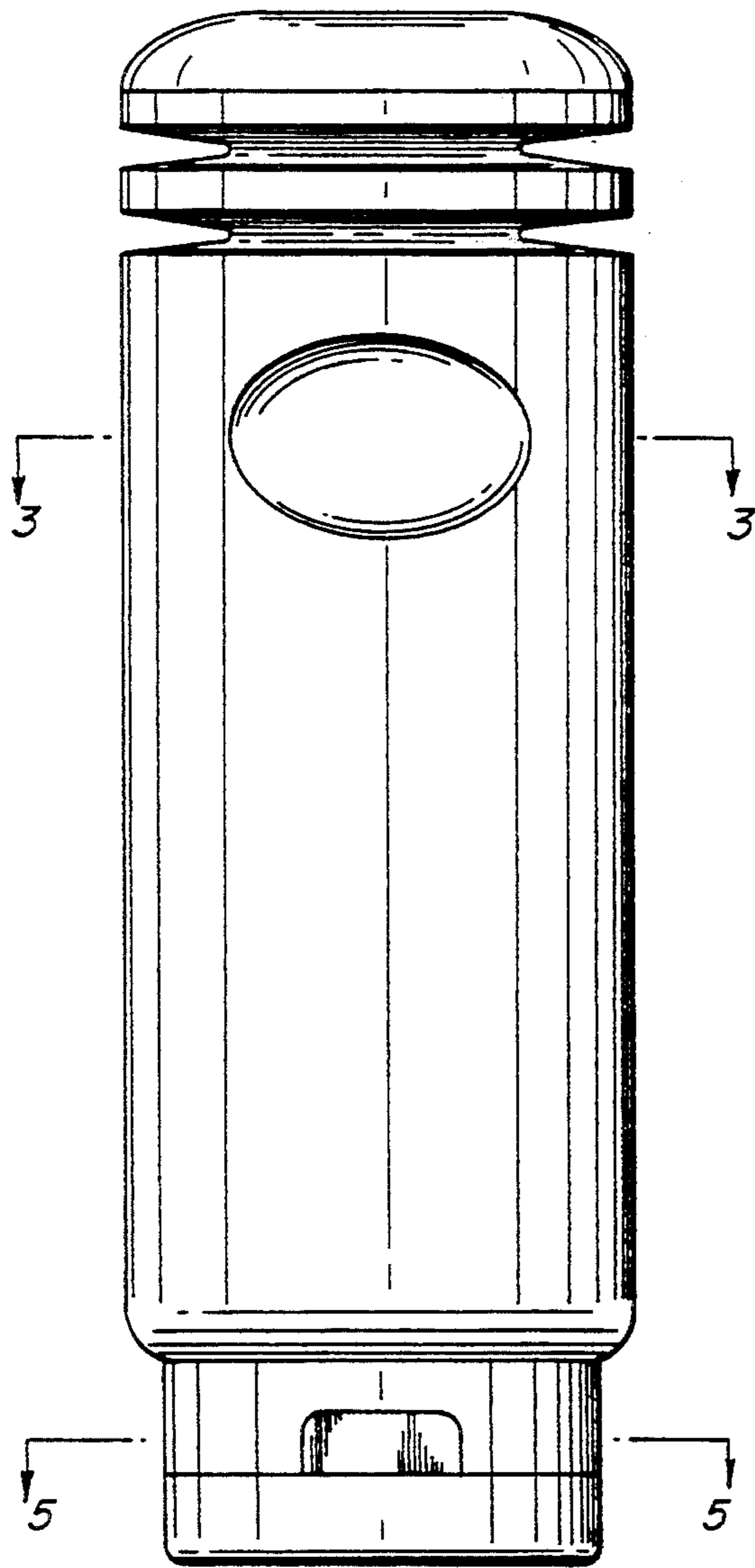


FIG. 1

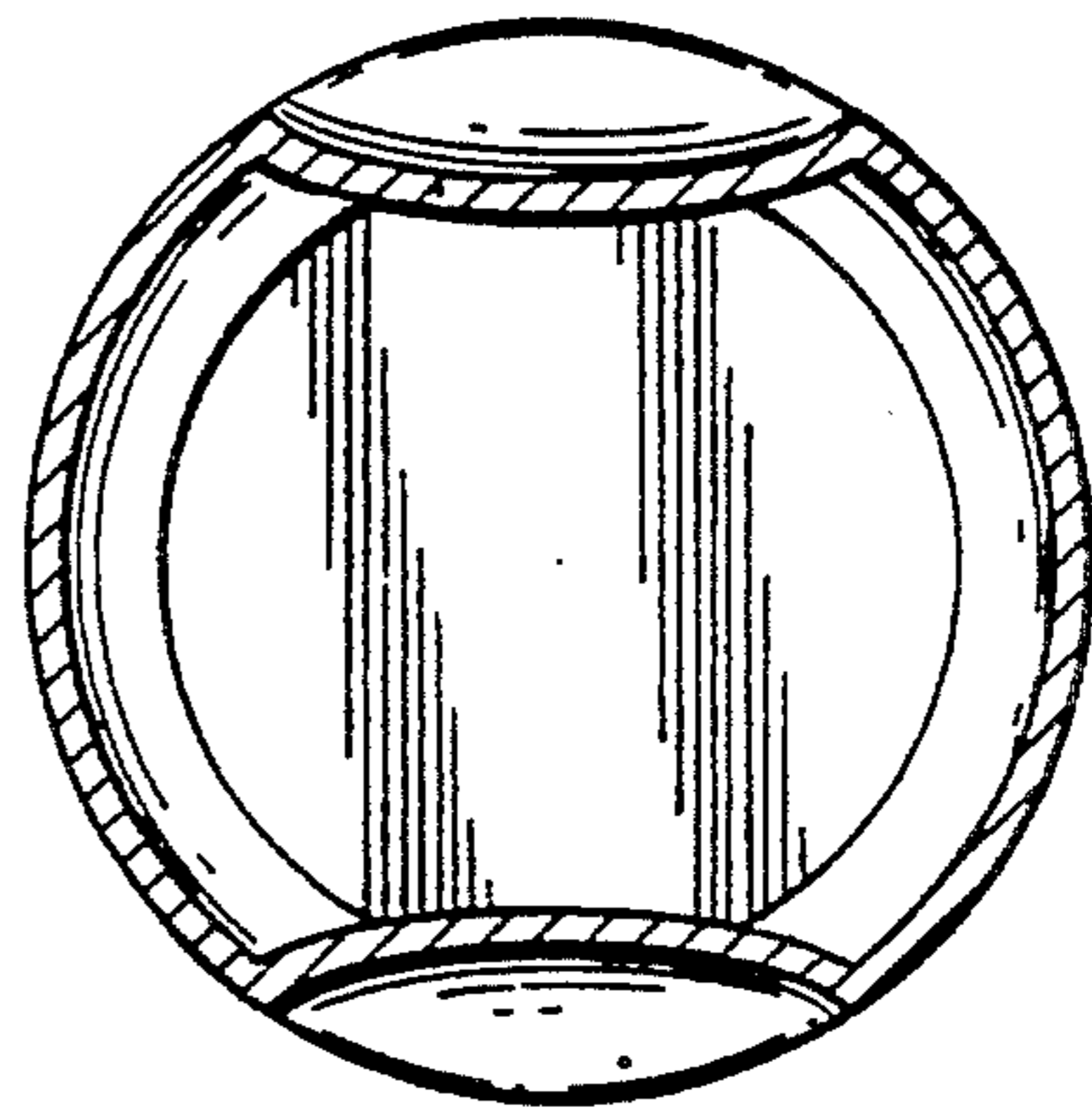


FIG. 3

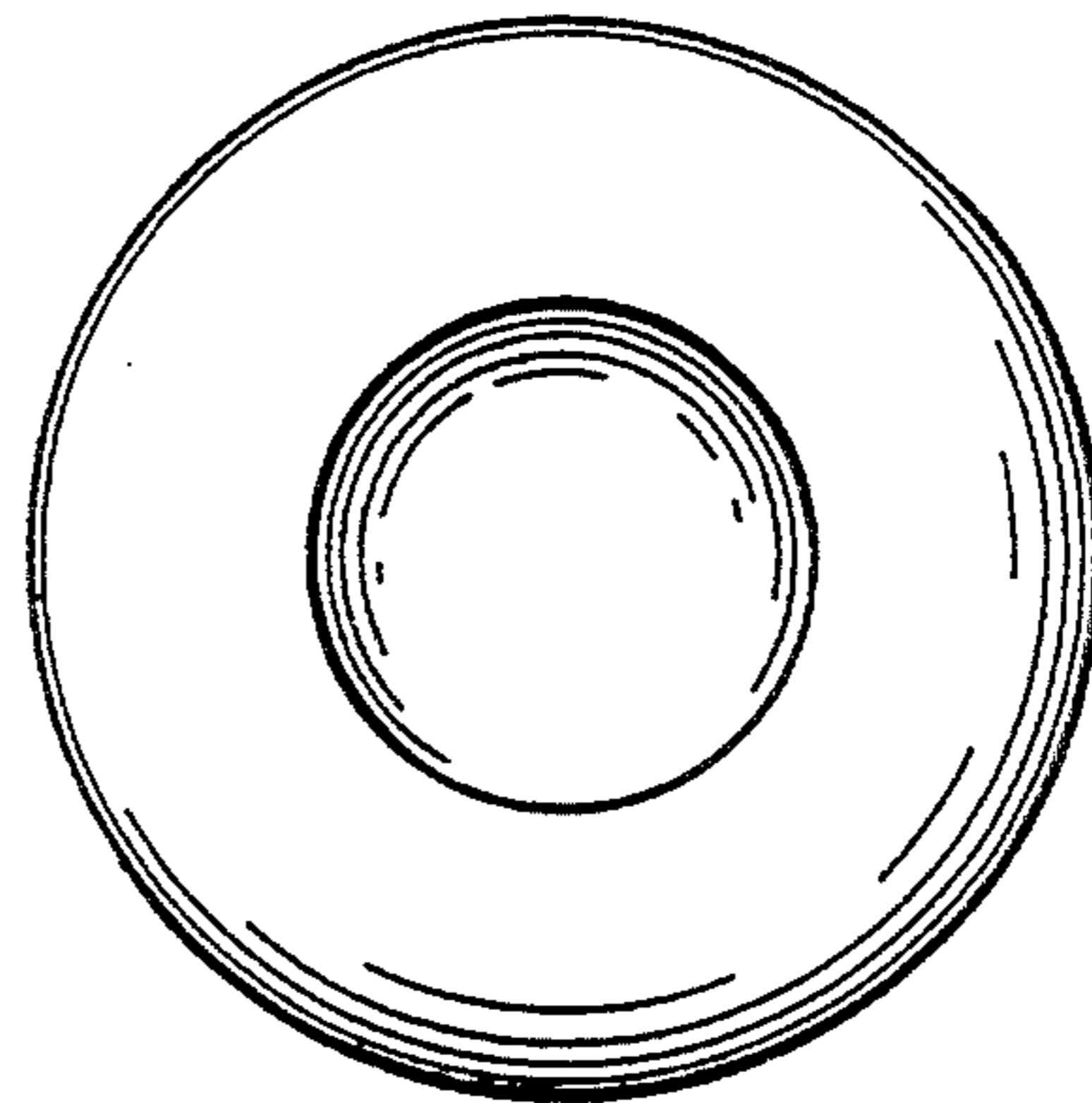


FIG. 4

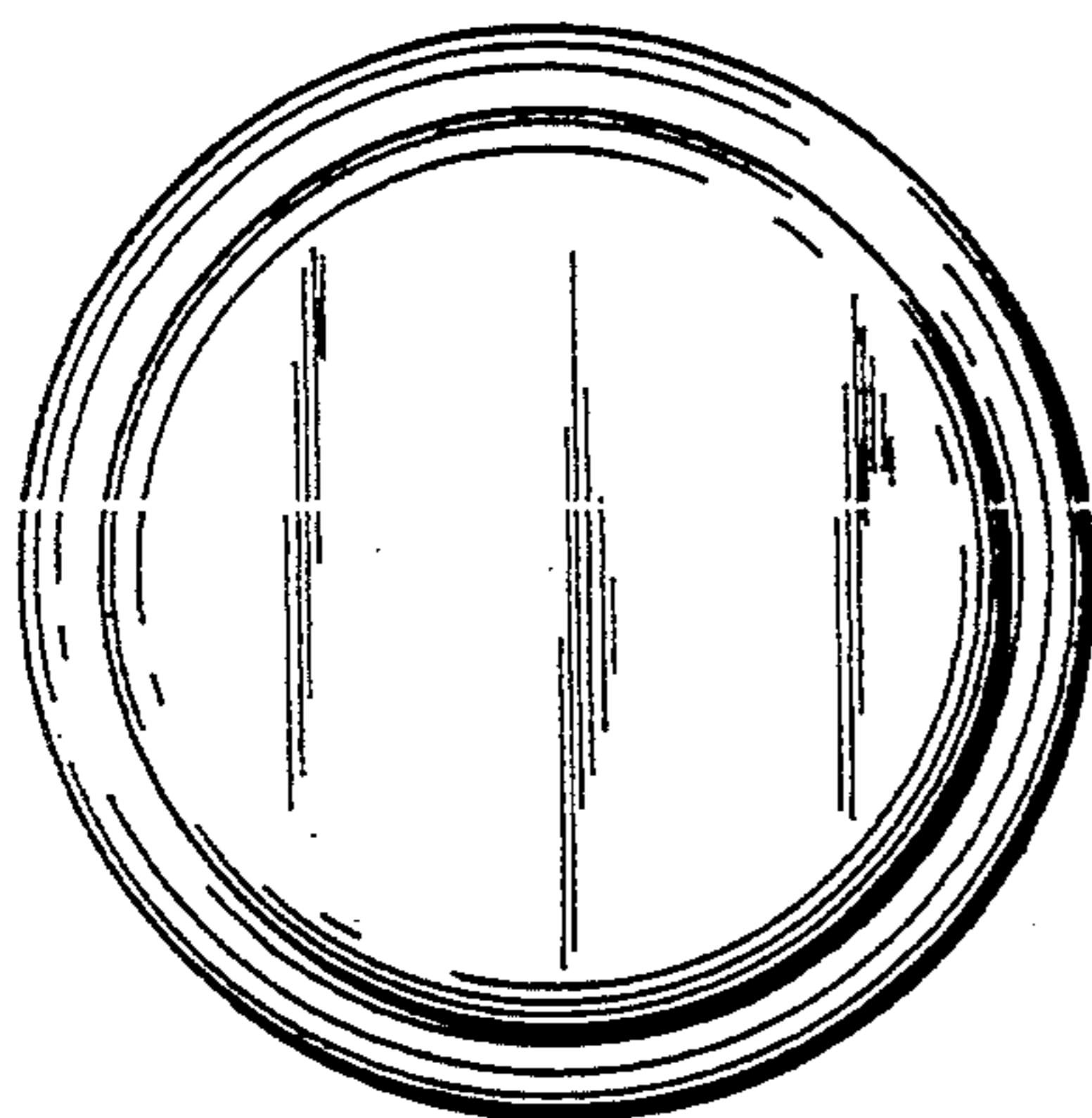


FIG. 2

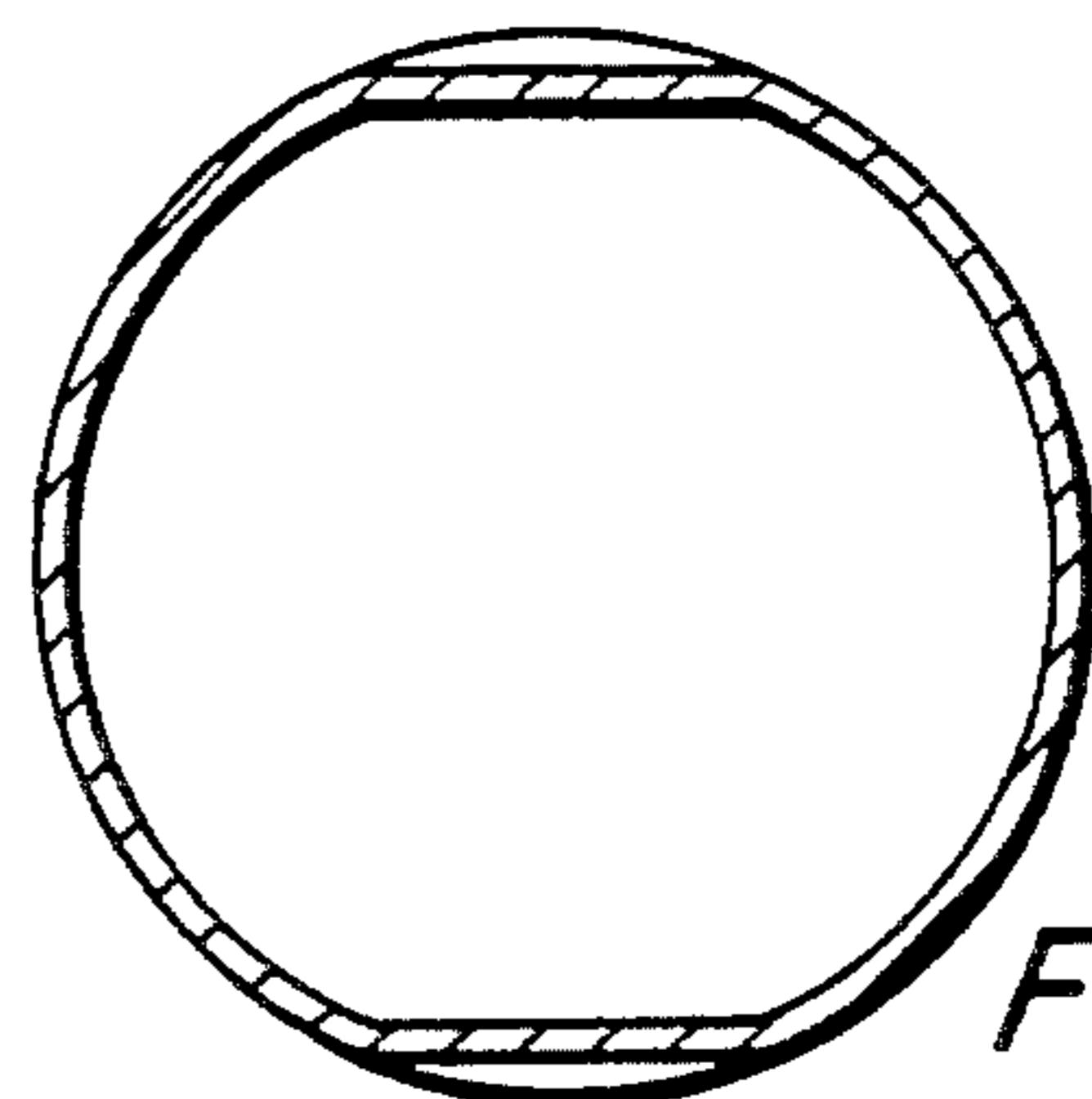


FIG. 5