



US00D360573S

United States Patent [19]

[11] Patent Number: Des. 360,573

Adams

[45] Date of Patent: ** Jul. 25, 1995

[54] HOOK FOR HOLDING OBJECTS ON A WALL

[75] Inventor: William E. Adams, Portersville, Pa.

[73] Assignee: Adams Mfg. Corp., Portersville, Pa.

[**] Term: 14 Years

[21] Appl. No.: 26,744

[22] Filed: Aug. 4, 1994

[52] U.S. Cl. D8/367

[58] Field of Search D8/367, 373; 248/301, 248/304, 215, 339; D6/323; 211/89, 60.1, 63, 65-66

[56] **References Cited**

U.S. PATENT DOCUMENTS

D. 267,455	1/1983	Cohen	D8/367
D. 281,575	12/1985	Chap	D8/363
D. 305,431	1/1990	Adams	D8/367
2,765,998	10/1956	Engert	.	

Primary Examiner—James M. Gandy
Assistant Examiner—Holly Baynham
Attorney, Agent, or Firm—Buchanan Ingersoll; Lynn J. Alstadt

[57] **CLAIM**

The ornamental design for a hook for holding objects on a wall, as shown and described.

DESCRIPTION

FIG. 1 is a front perspective view of my design for a hook for holding objects on a wall;
FIG. 2 is a front view thereof;
FIG. 3 is a rear view thereof with the broken line showing of magnets being for illustrative purposes only and forming no part of the claimed design;
FIG. 4 is a top view thereof;
FIG. 5 is a left side view thereof; and,
FIG. 6 is a bottom view thereof.
A right side view of the hook is a mirror image of FIG. 5.

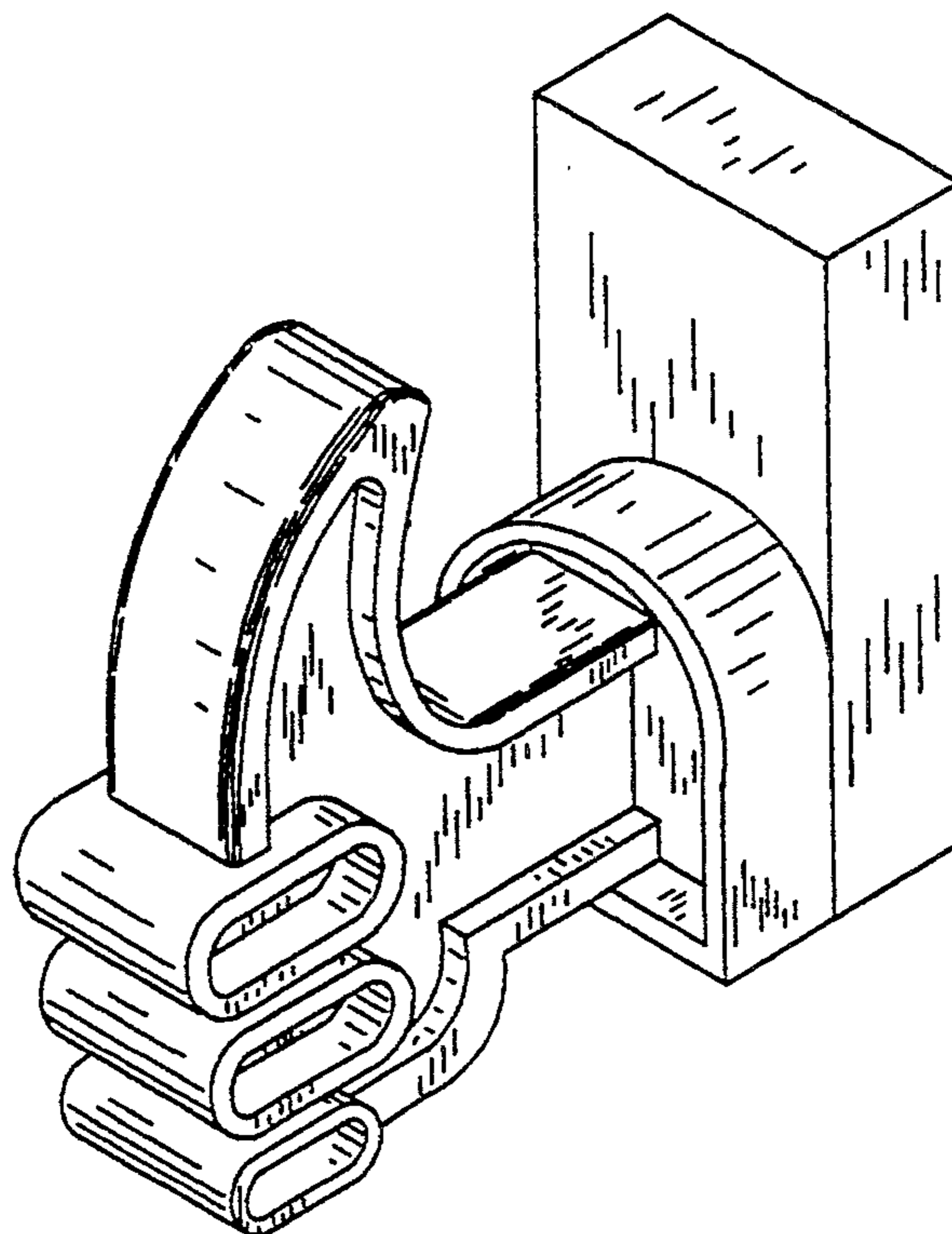


Fig. 1.

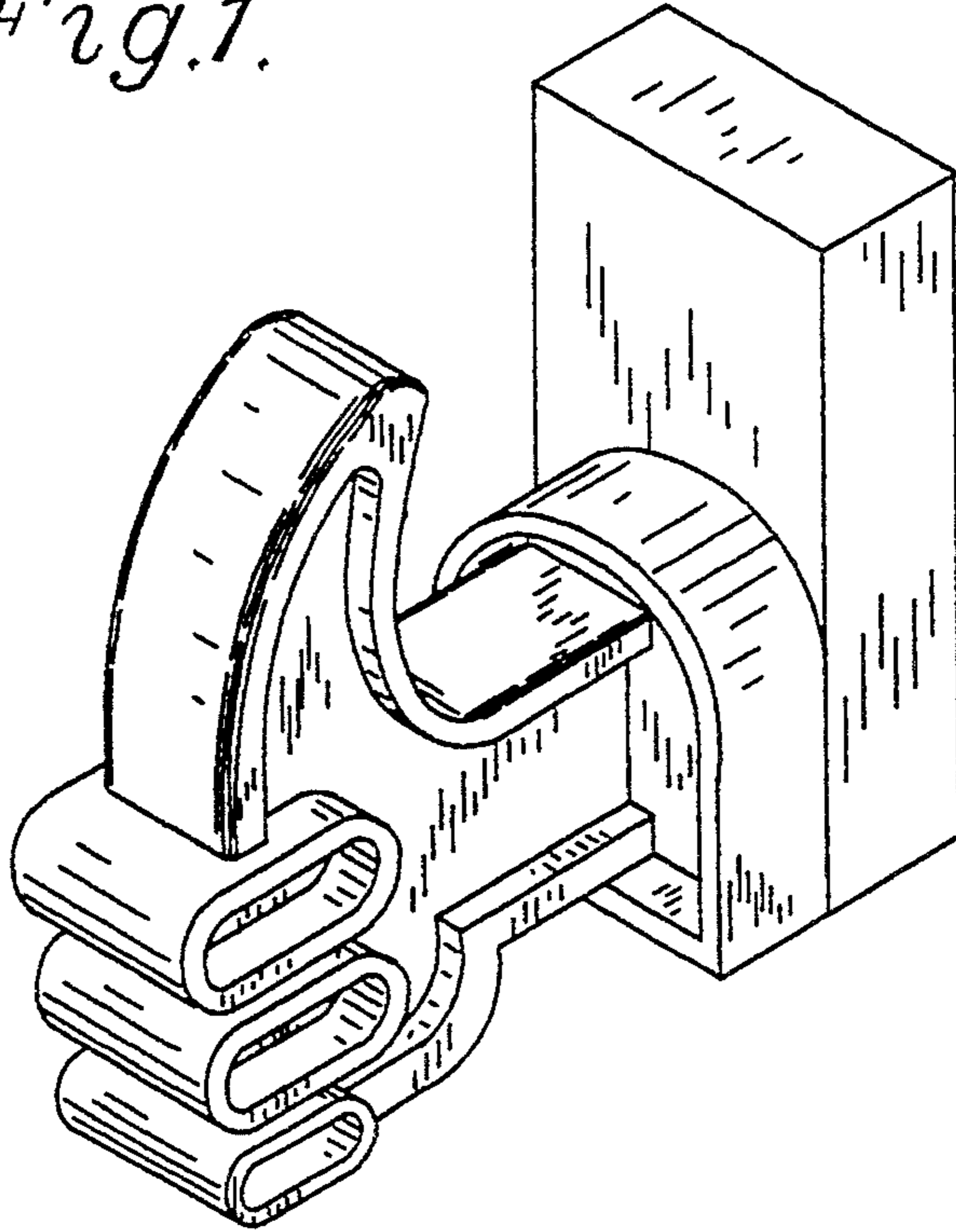


Fig. 2.

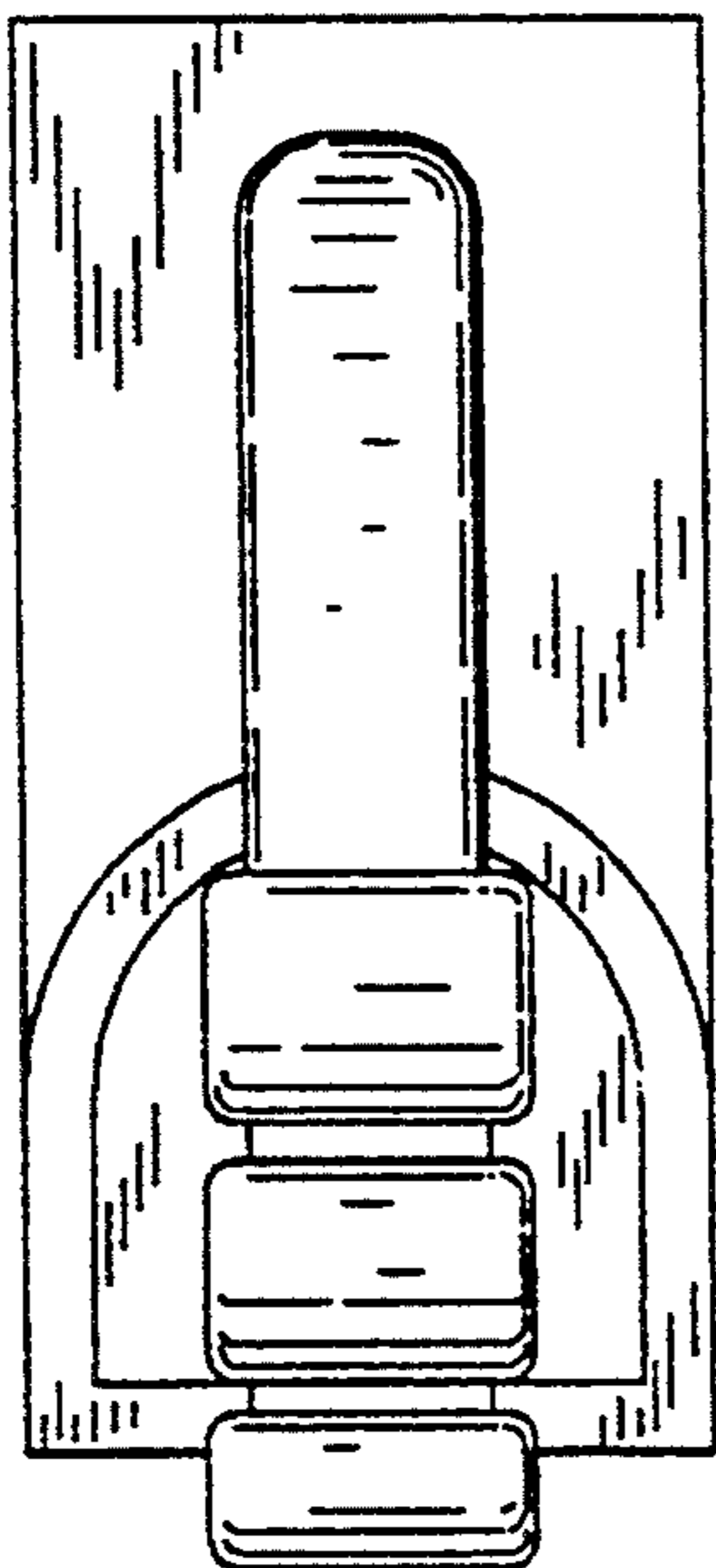


Fig. 3.

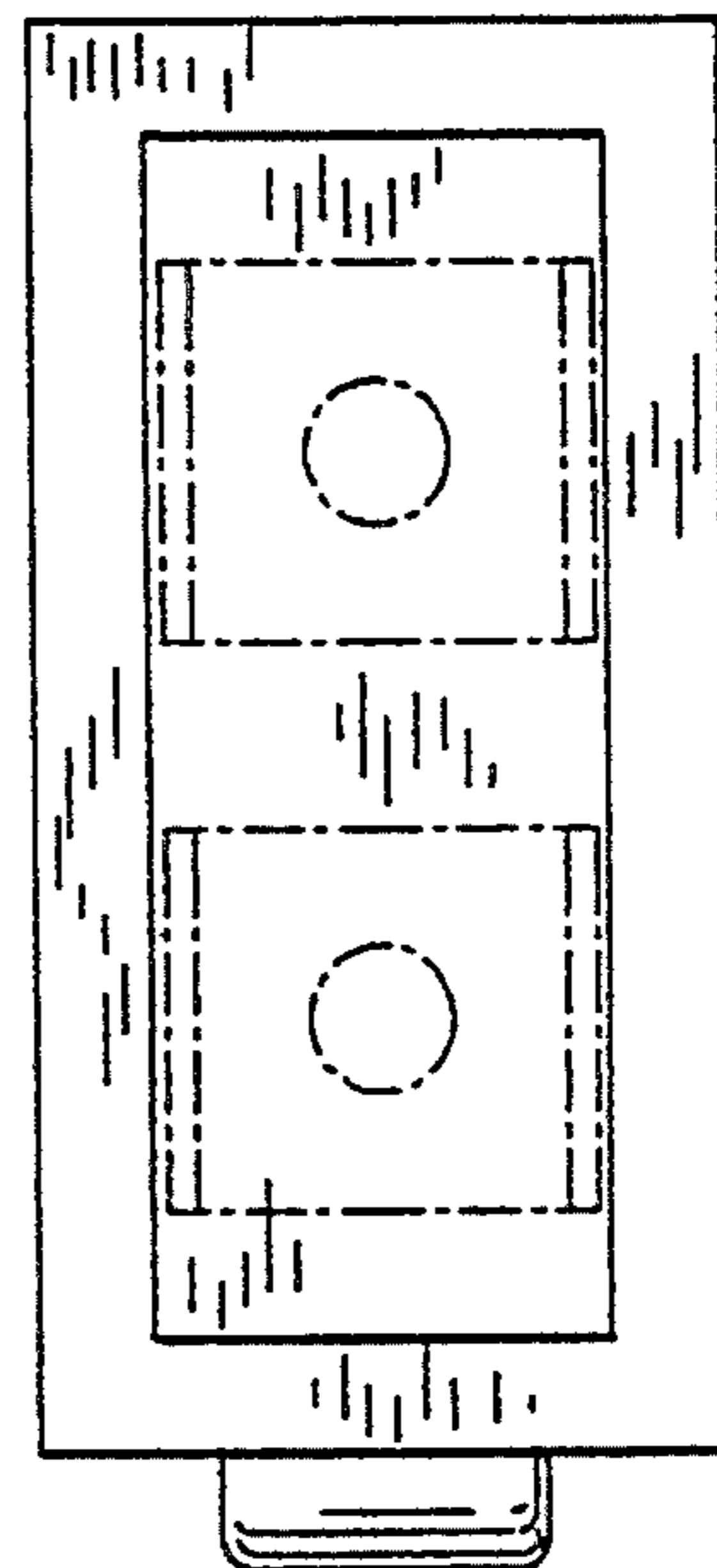


Fig. 4.

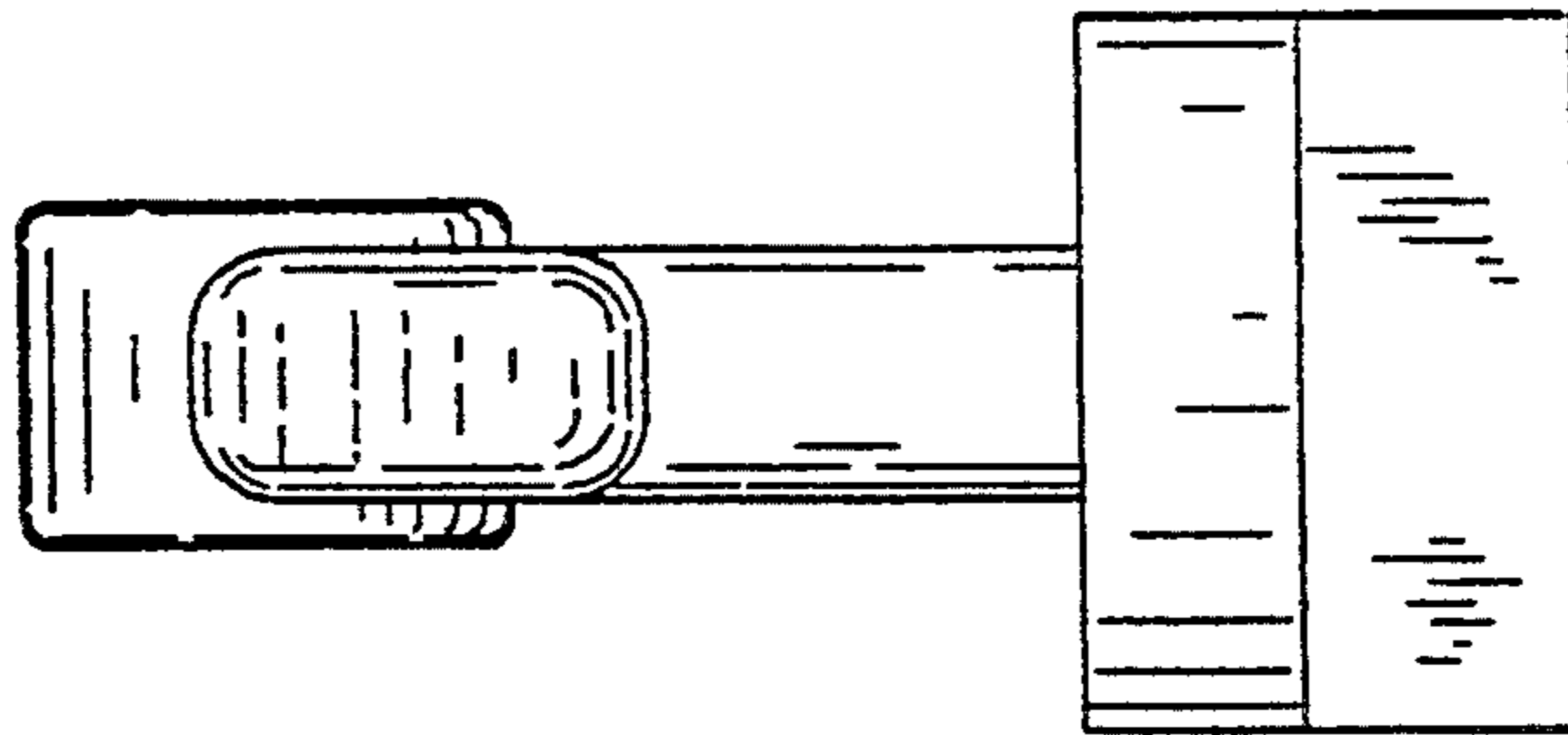


Fig. 5.

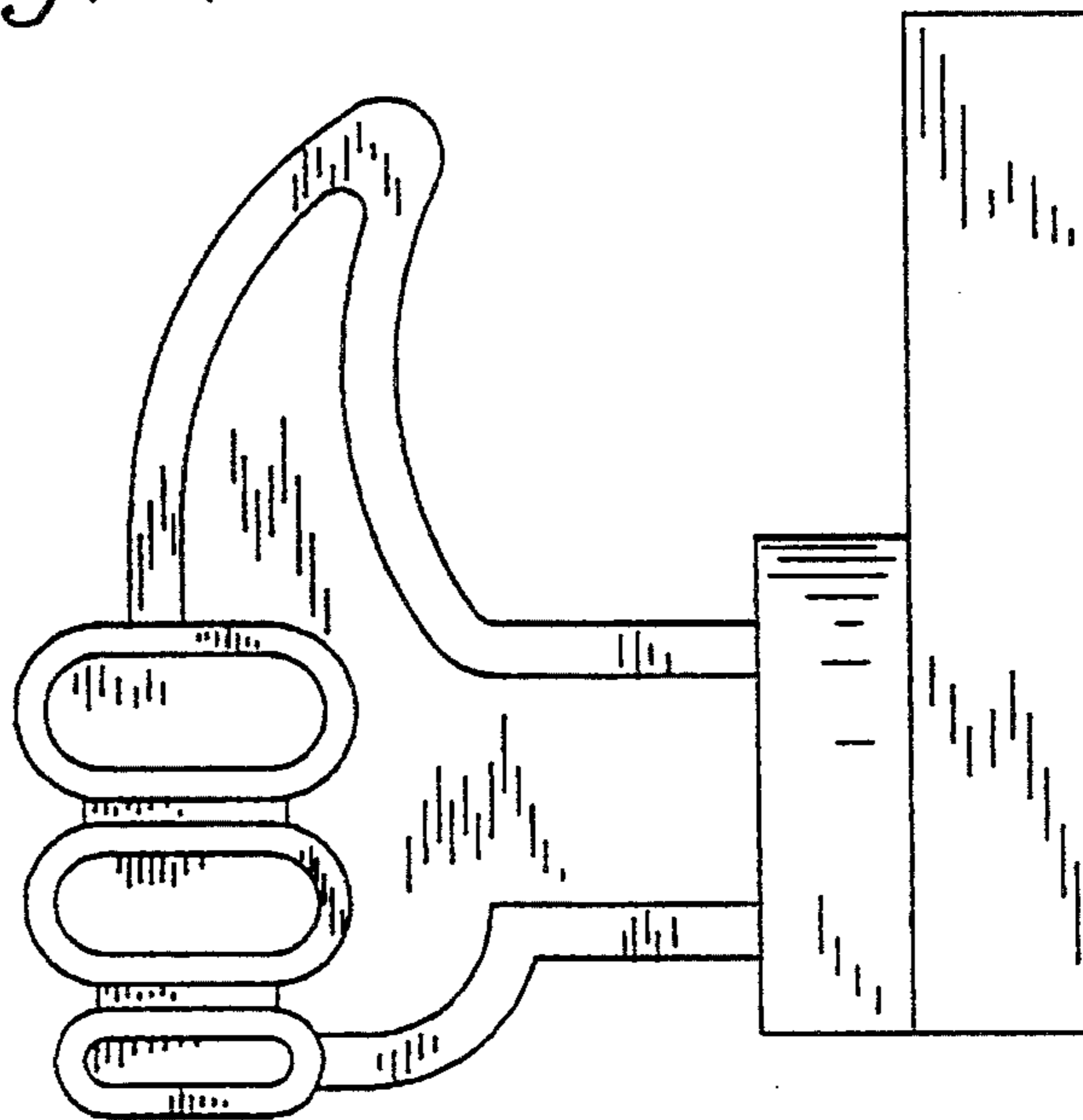


Fig. 6.

