



US00D360571S

# United States Patent [19]

[11] Patent Number: **Des. 360,571**

**Perry**

[45] Date of Patent: **\*\* Jul. 25, 1995**

[54] **SECURITY ANCHOR**

[76] Inventor: **Robert C. Perry, 5755 SW. Willow La., Lake Oswego, Oreg. 97035-5340**

[\*\*] Term: **14 Years**

[21] Appl. No.: **20,231**

[22] Filed: **Mar. 22, 1994**

[52] U.S. Cl. .... **D8/354**

[58] Field of Search ..... **D8/349, 354, 366, 380, D8/356; 248/300, 551; 70/18, 58**

[56] **References Cited**

**U.S. PATENT DOCUMENTS**

D. 245,312	8/1977	Rasmussen et al. ....	D8/356
D. 247,217	2/1978	Merry .....	D8/356
D. 313,338	1/1991	Rasmussen .....	D8/356
1,222,566	4/1917	Sherman .....	248/300
1,592,974	7/1926	Foerster, Jr. et al. ....	248/300 X
3,190,600	6/1965	Stanley .....	248/300 X
3,791,471	2/1974	Buser .....	248/300 X

*Primary Examiner*—A. Hugo Word  
*Assistant Examiner*—Holly Baynham  
*Attorney, Agent, or Firm*—Smith-Hill and Bedell

[57] **CLAIM**

The ornamental design of a security anchor, as shown and described.

**DESCRIPTION**

FIG. 1 is a perspective view of a security anchor showing my new design;  
FIG. 2 is a top plan view thereof;  
FIG. 3 is a side elevation thereof, the opposite side elevation being a substantially mirror image of FIG. 3;  
FIG. 4 is a bottom plan view thereof;  
FIG. 5 is an end elevation thereof taken from the left of FIG. 2; and,  
FIG. 6 is an end elevation thereof taken from the right of FIG. 2.  
The broken line showing in FIG. 3 is for illustrative purposes and forms no part of the claimed design.

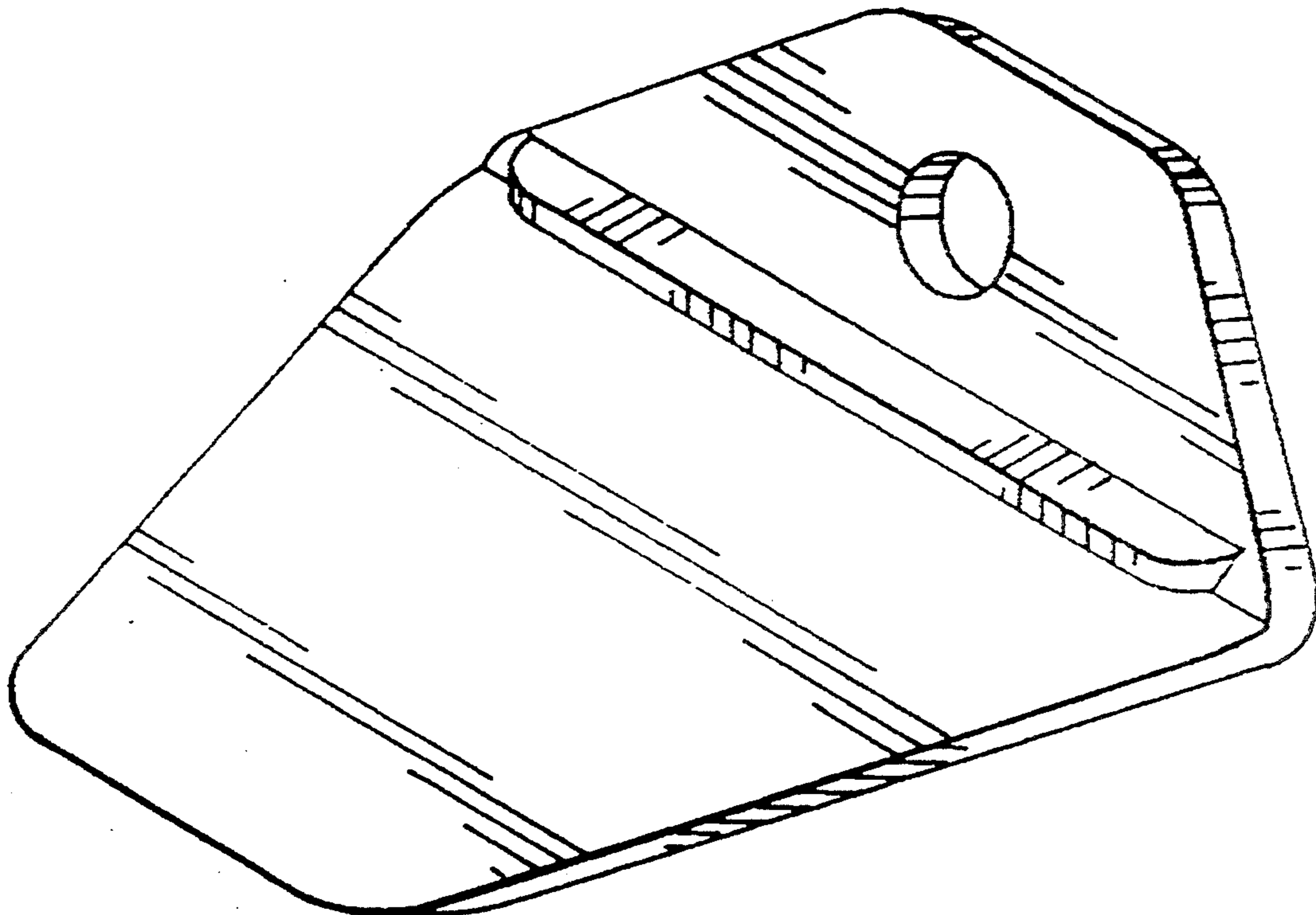


FIG. 1

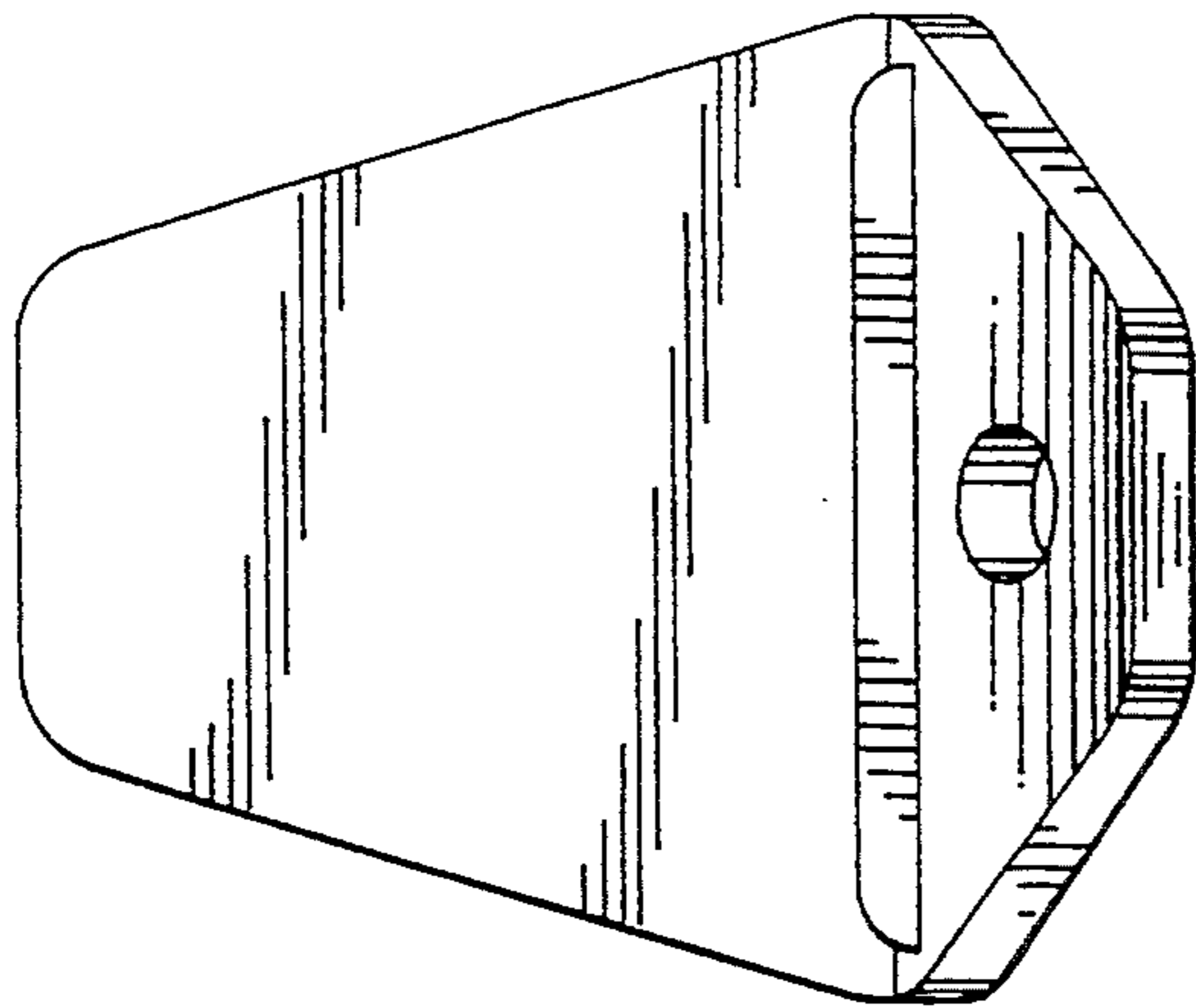
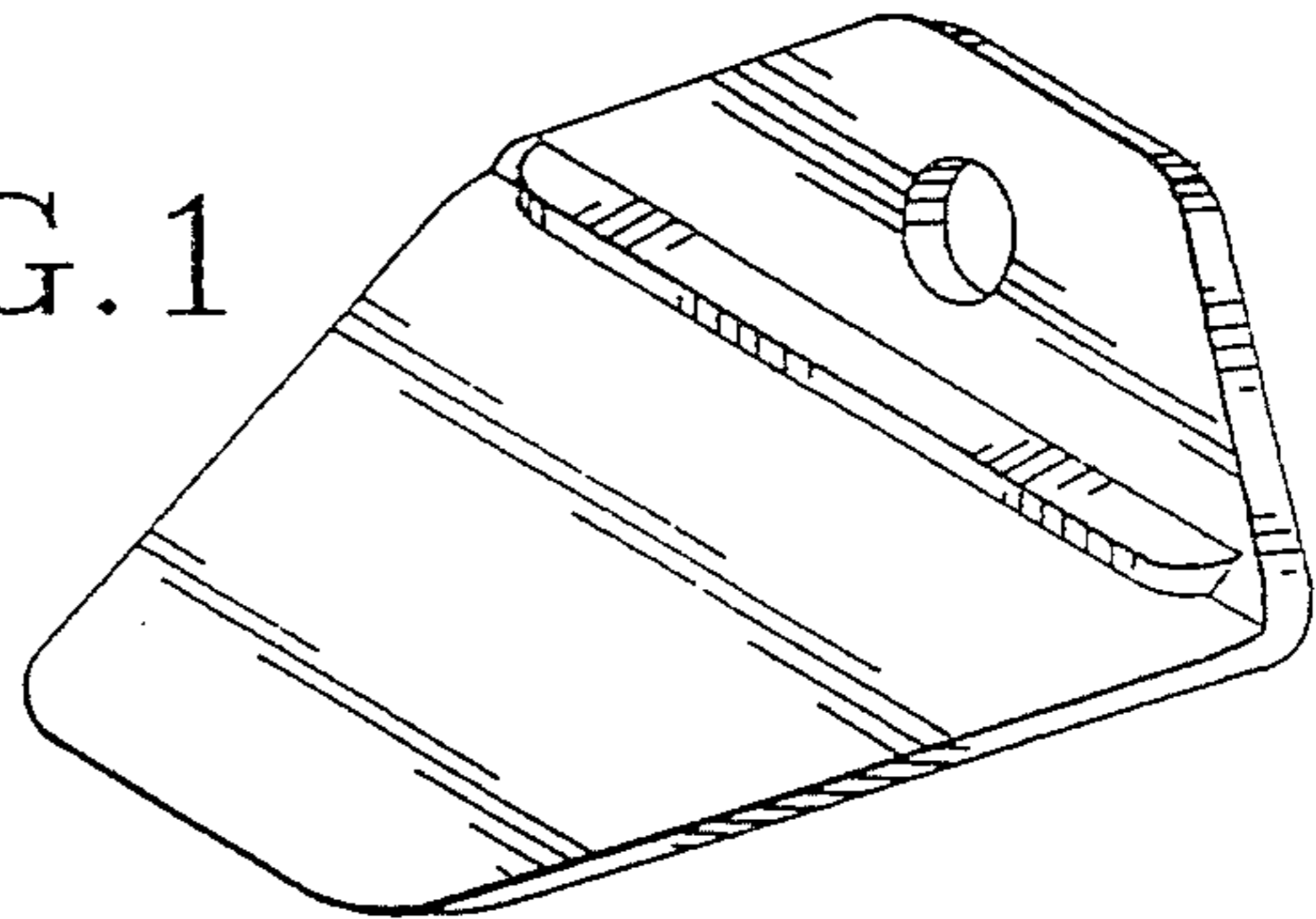


FIG. 2

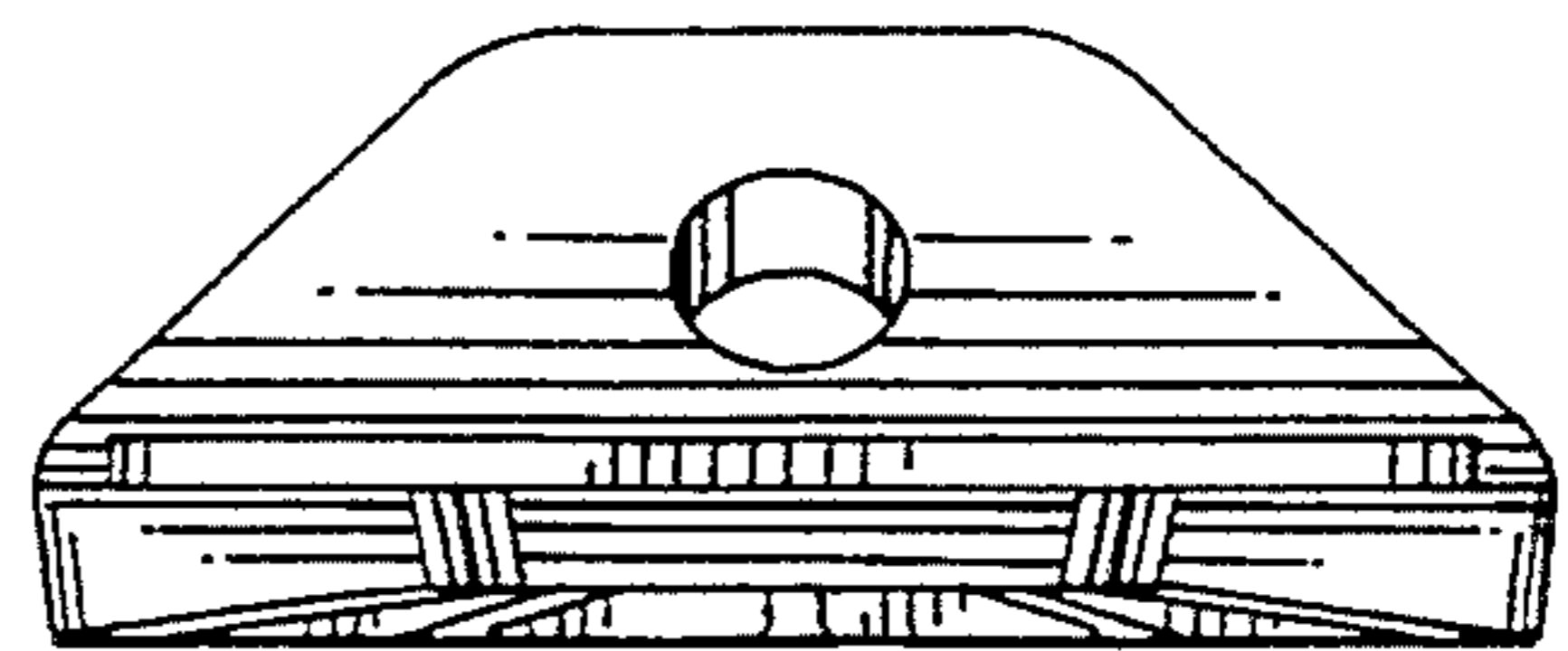


FIG. 5

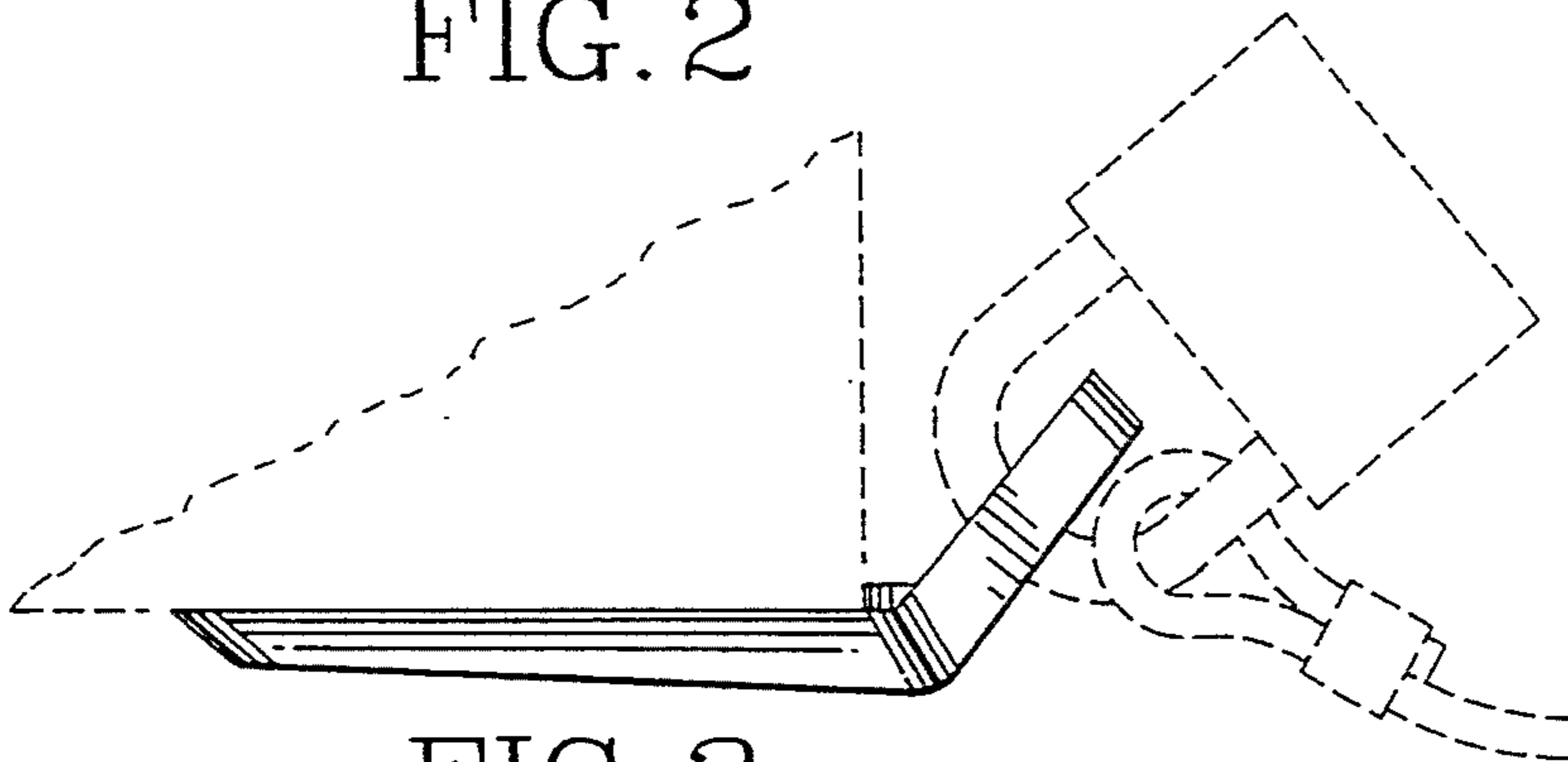


FIG. 3

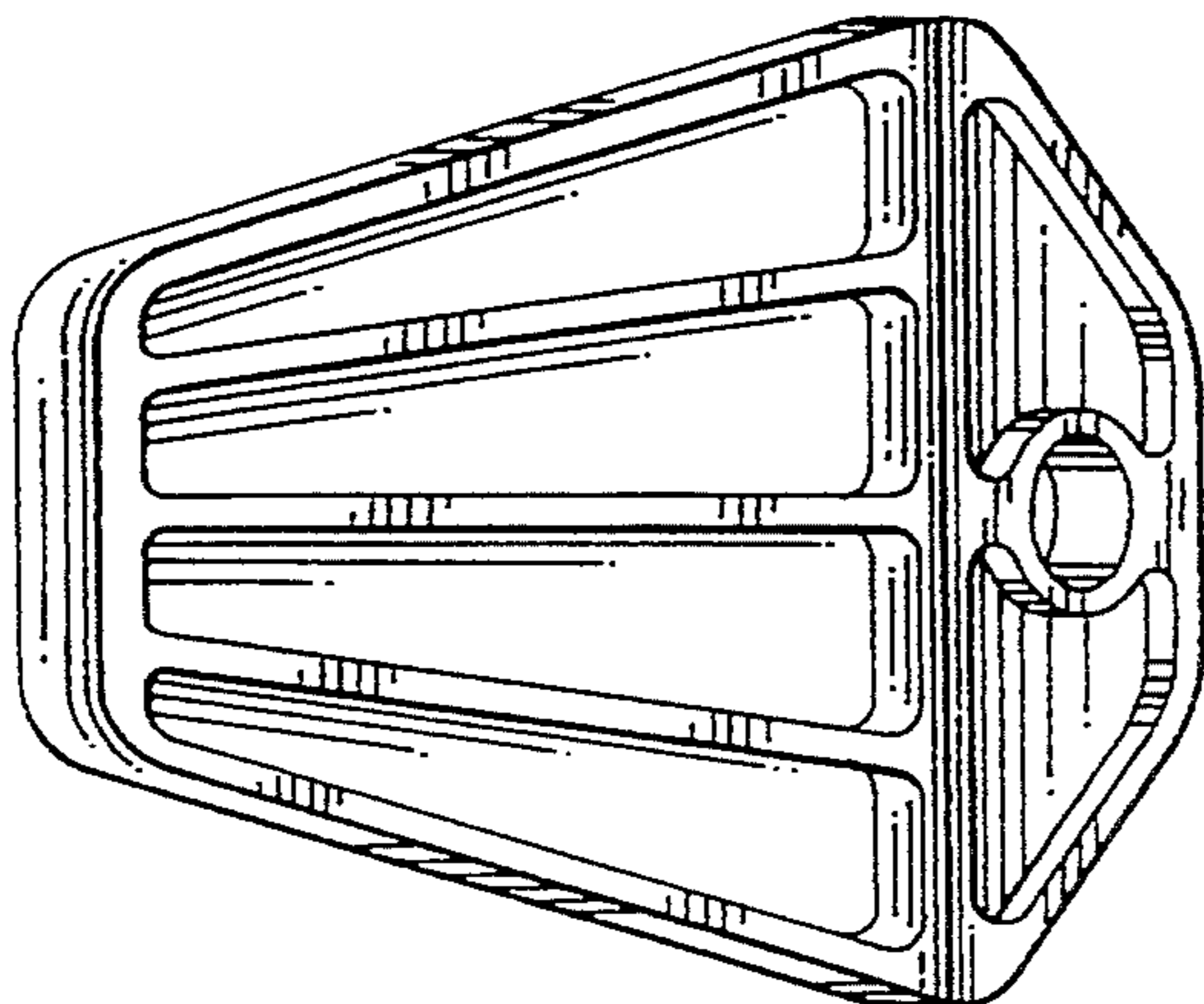


FIG. 4

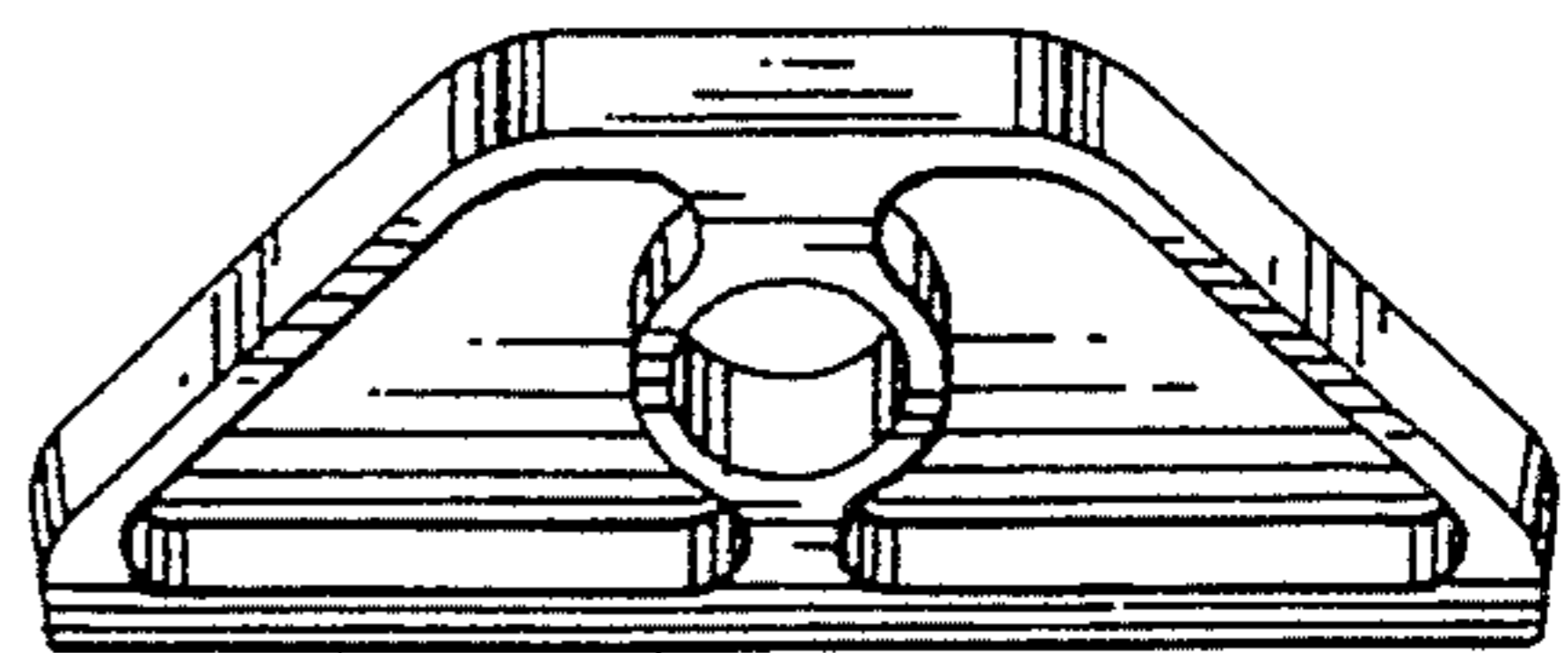


FIG. 6