



US00D360569S

United States Patent [19]

[11] Patent Number: **Des. 360,569**

Anderson

[45] Date of Patent: **** Jul. 25, 1995**

[54] **DIAMOND FILE**

[76] Inventor: **Steven P. Anderson**, 6660 Reseda Blvd., #112, Reseda, Calif. 91335

[**] Term: **14 Years**

[21] Appl. No.: **4,321**

[22] Filed: **Feb. 1, 1993**

[52] U.S. Cl. **D8/90**

[58] Field of Search D8/90, 14; 29/78, 79, 29/80; 51/205 WG, 211 H, 214, 206 R, 391

[56] **References Cited**

U.S. PATENT DOCUMENTS

D. 310,473	9/1990	Takeda et al.	D8/90
881,557	3/1908	Deming	51/389
2,058,347	10/1936	Murphy	29/80
2,687,562	8/1954	Noll	29/78
2,897,692	8/1959	Beckner et al.	29/78
4,558,540	12/1985	Collins	51/205 WG
4,584,745	4/1986	Seiber	29/78

4,625,725	12/1986	Davison et al.	29/78
5,027,519	7/1991	DeVincentis	29/78

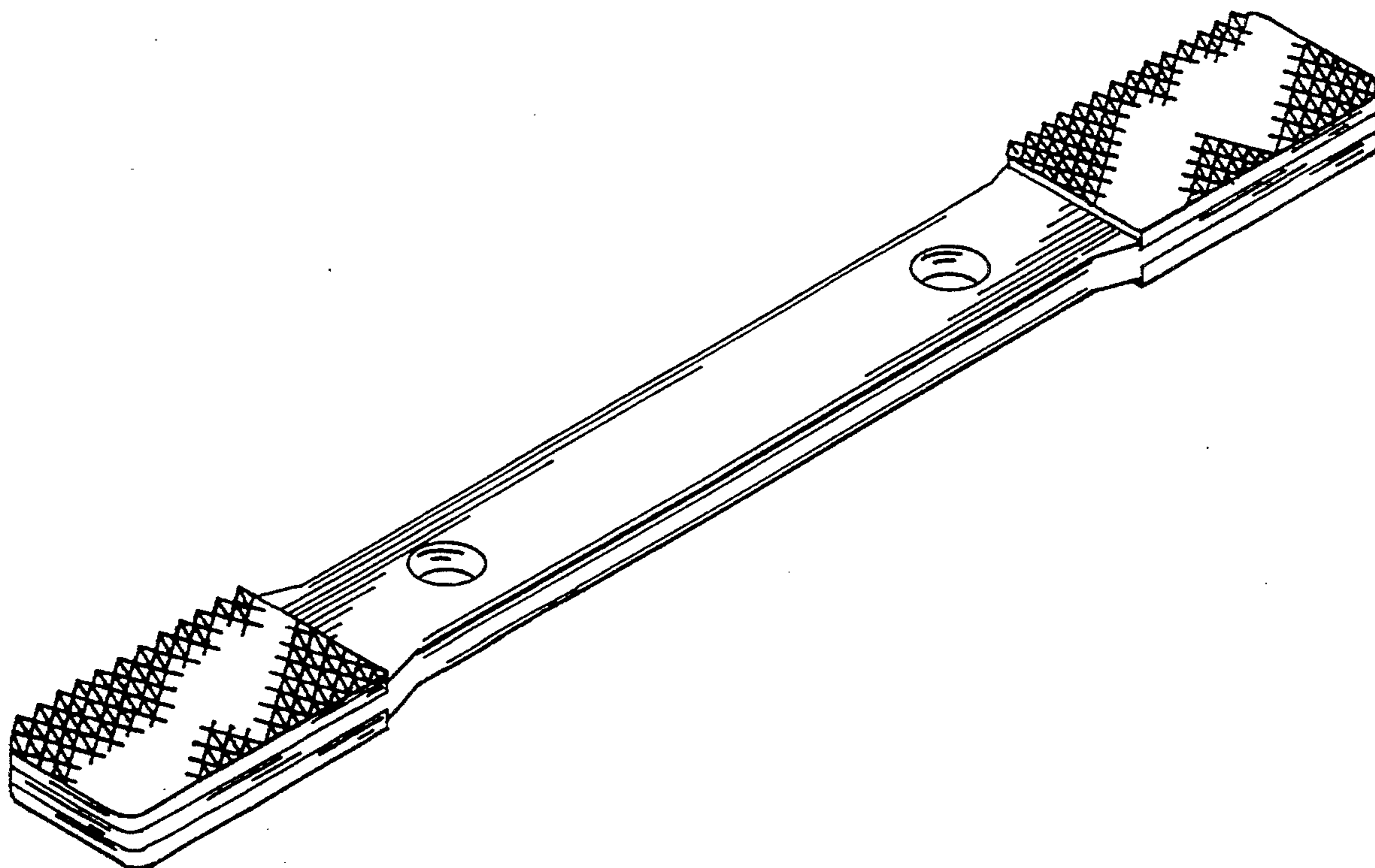
Primary Examiner—Theodore M. Shooman
Assistant Examiner—Philip Hyder
Attorney, Agent, or Firm—Albert O. Cota

[57] **CLAIM**

The ornamental design for a diamond file, as shown and described.

DESCRIPTION

FIG. 1 is a perspective view of a diamond file showing my new design;
FIG. 2 is a top plan view thereof;
FIG. 3 is a bottom plan view thereof;
FIG. 4 is a right side elevational view thereof, the left side elevational view being a mirror image;
FIG. 5 is a front-end elevational view thereof; and,
FIG. 6 is a rear-end elevational view thereof.
The abrasive surfaces have been shown fragmentarily for ease of illustration.



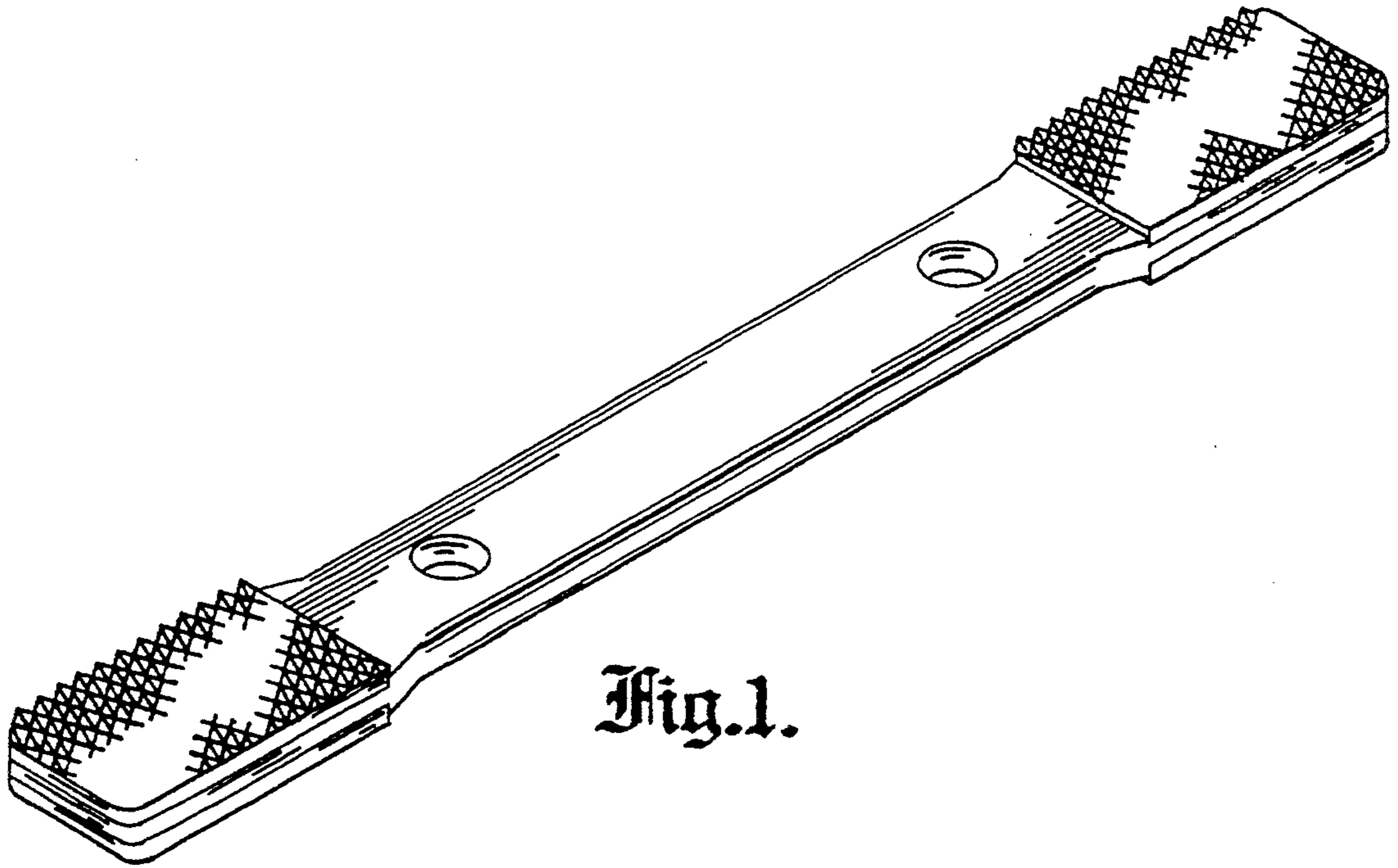


Fig. 1.

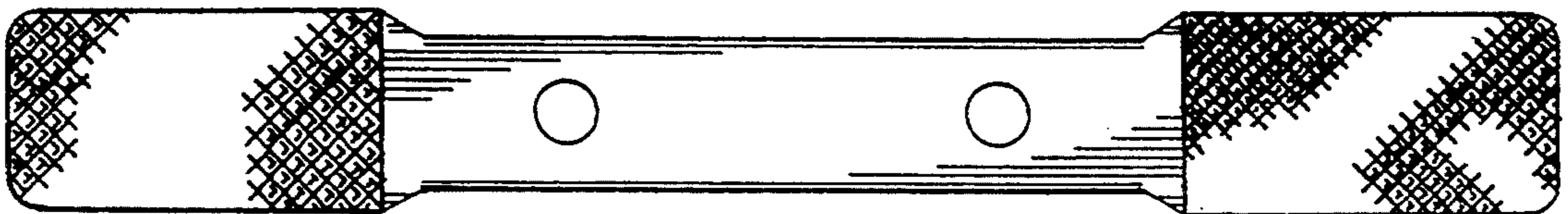


Fig. 2.

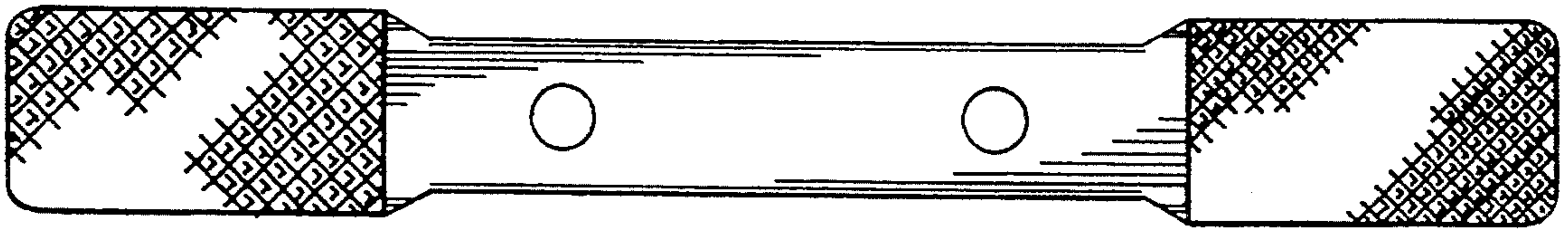


Fig. 3.

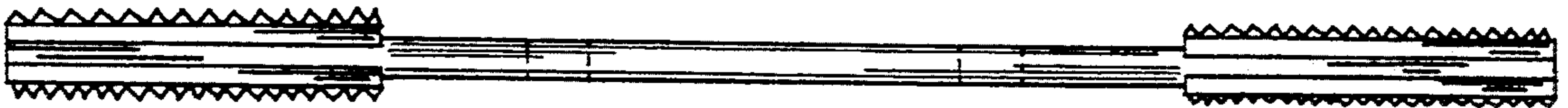


Fig. 4.



Fig. 5.

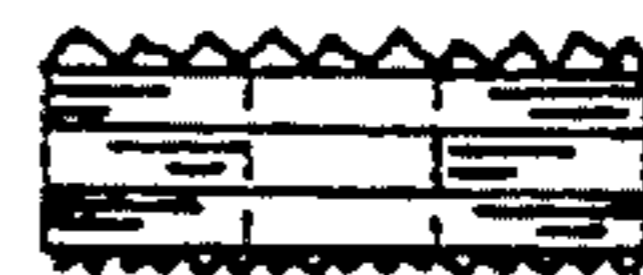


Fig. 6.