



US00D360568S

United States Patent [19]

[11] Patent Number: **Des. 360,568**

Fukuhara et al.

[45] Date of Patent: **** Jul. 25, 1995**

[54] **BOLT FASTENING DEVICE**

[75] Inventors: **Shinji Fukuhara, Hirakata; Seiji Ikeda, Osaka, both of Japan**

[73] Assignee: **Maeda Metal Industries, Ltd., Japan**

[**] Term: **14 Years**

[21] Appl. No.: **23,264**

[22] Filed: **May 20, 1994**

[52] U.S. Cl. **D8/69; D8/68**

[58] Field of Search **D8/68, 61, 69; 173/48, 173/93, 96, 170; 81/57, 57.11, 57.13**

[56] **References Cited**

U.S. PATENT DOCUMENTS

- D. 335,073 4/1993 Anthony et al. D8/61
- D. 349,027 7/1994 Izumisawa D8/61
- D. 352,645 11/1994 Ichikawa D8/61

Primary Examiner—Alan P. Douglas

Assistant Examiner—Jeffry H. Musgrove
Attorney, Agent, or Firm—Pravel, Hewitt, Kimball & Krieger

[57] **CLAIM**

The ornamental design for a bolt fastening device, as shown and described.

DESCRIPTION

FIG. 1 is a front view of a bolt fastening device of the present invention;
 FIG. 2 is a top plan view of the bolt fastening device of the present invention;
 FIG. 3 is a right side view of the bolt fastening device of the present invention;
 FIG. 4 is a rear view of the bolt fastening device of the present invention;
 FIG. 5 is a bottom plan view of the bolt fastening device of the present invention; and,
 FIG. 6 is a left side view of the bolt fastening device of the present invention.

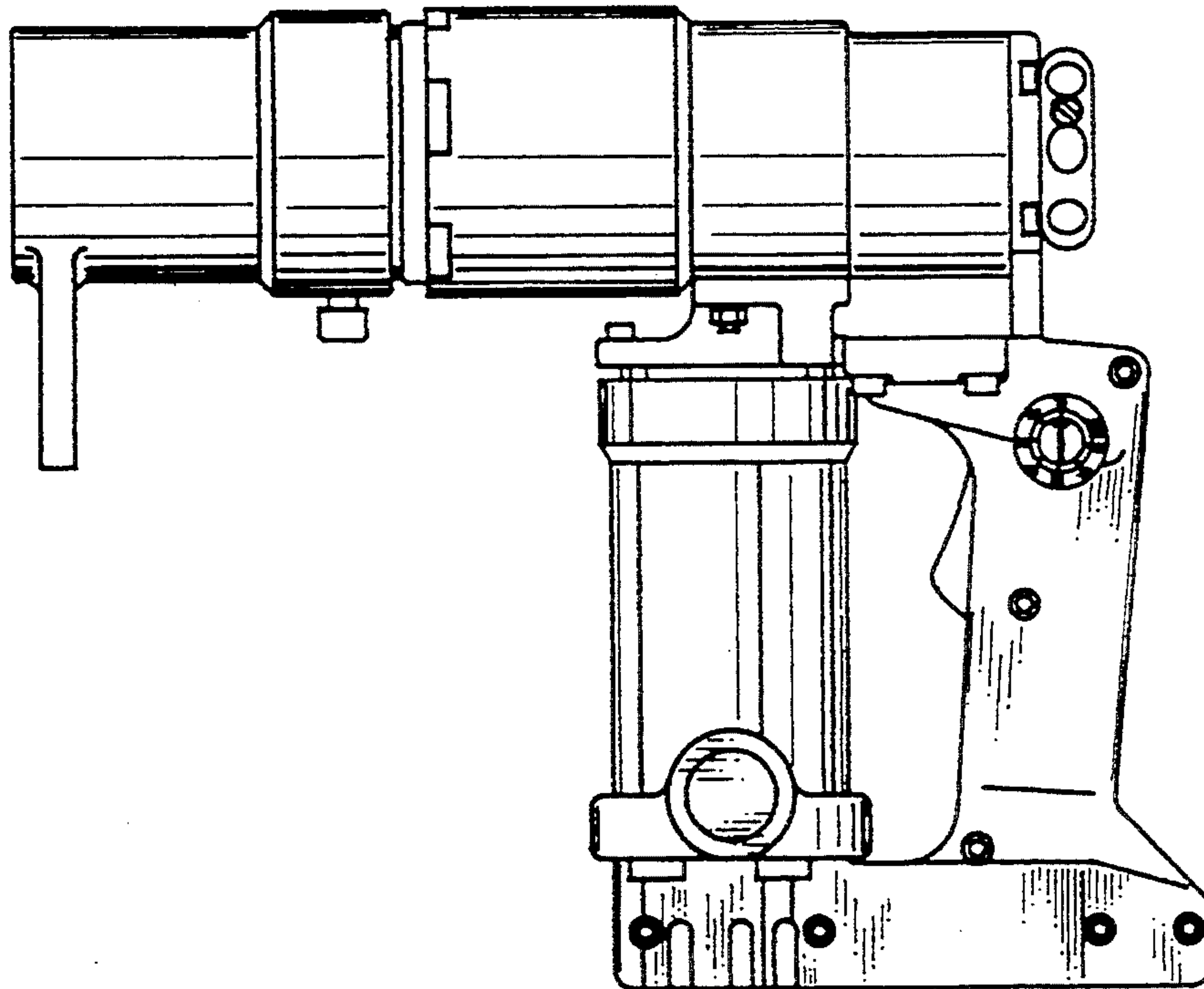


FIG. 1

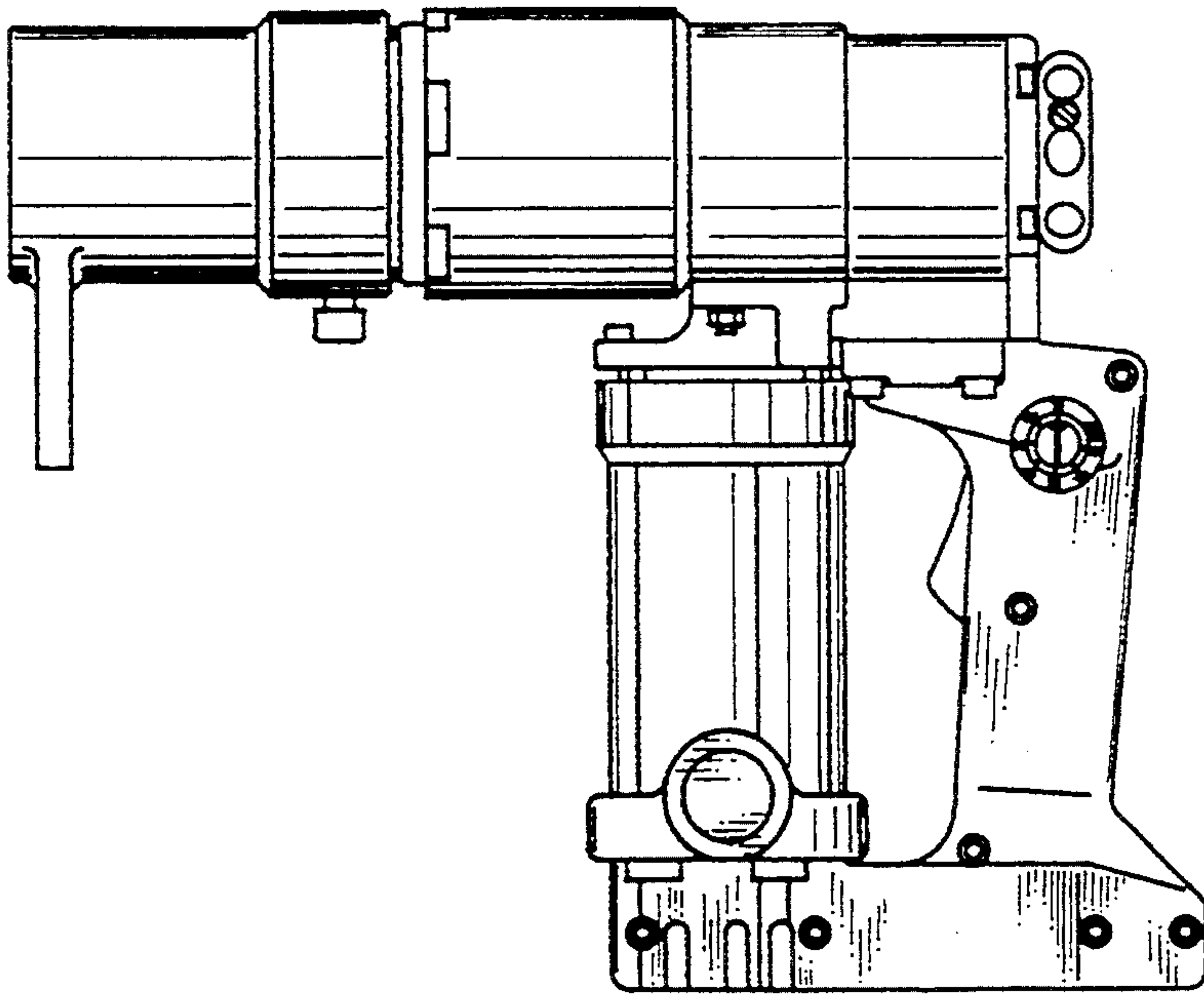


FIG. 3

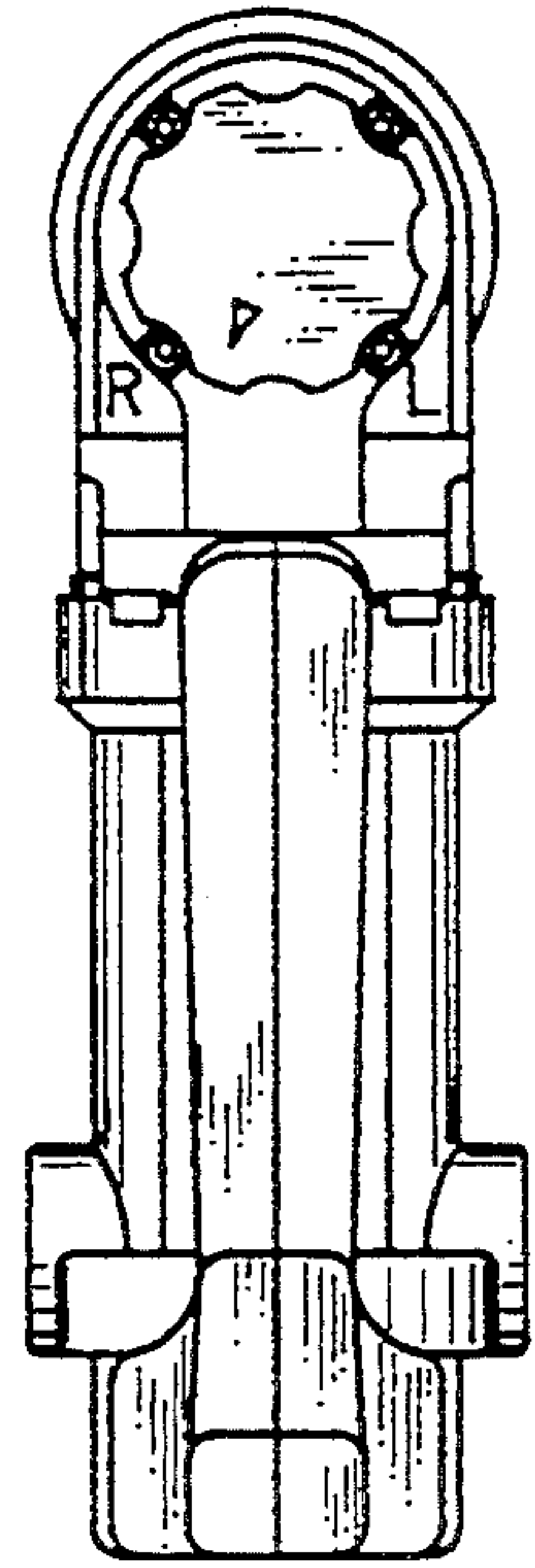


FIG. 2

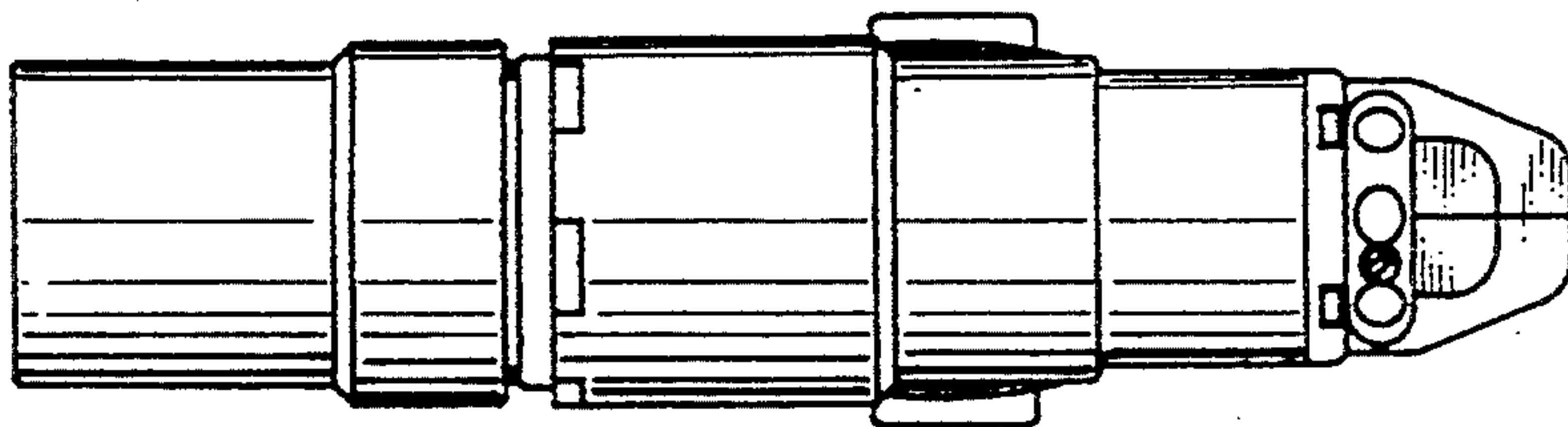


FIG. 4

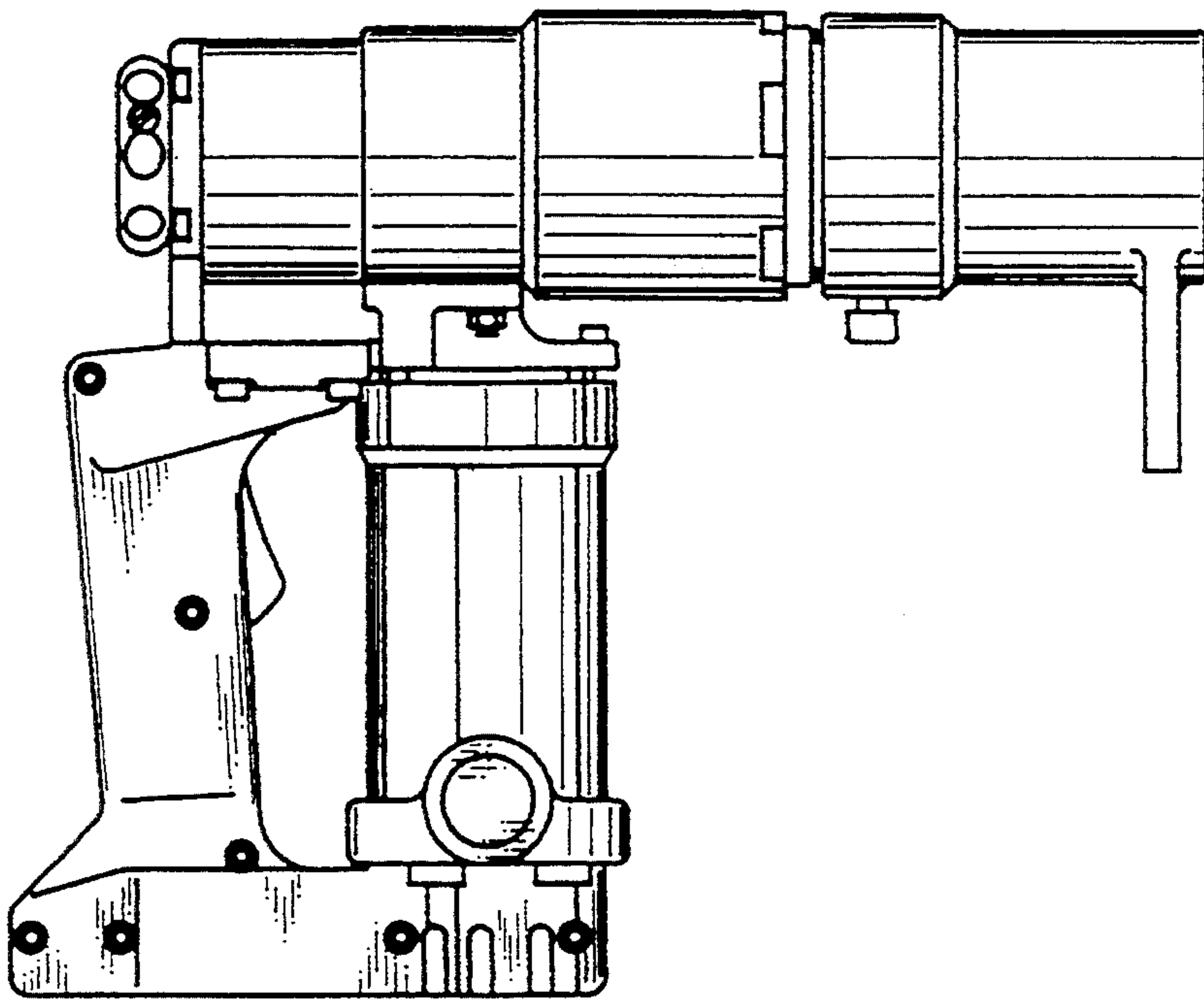


FIG. 6

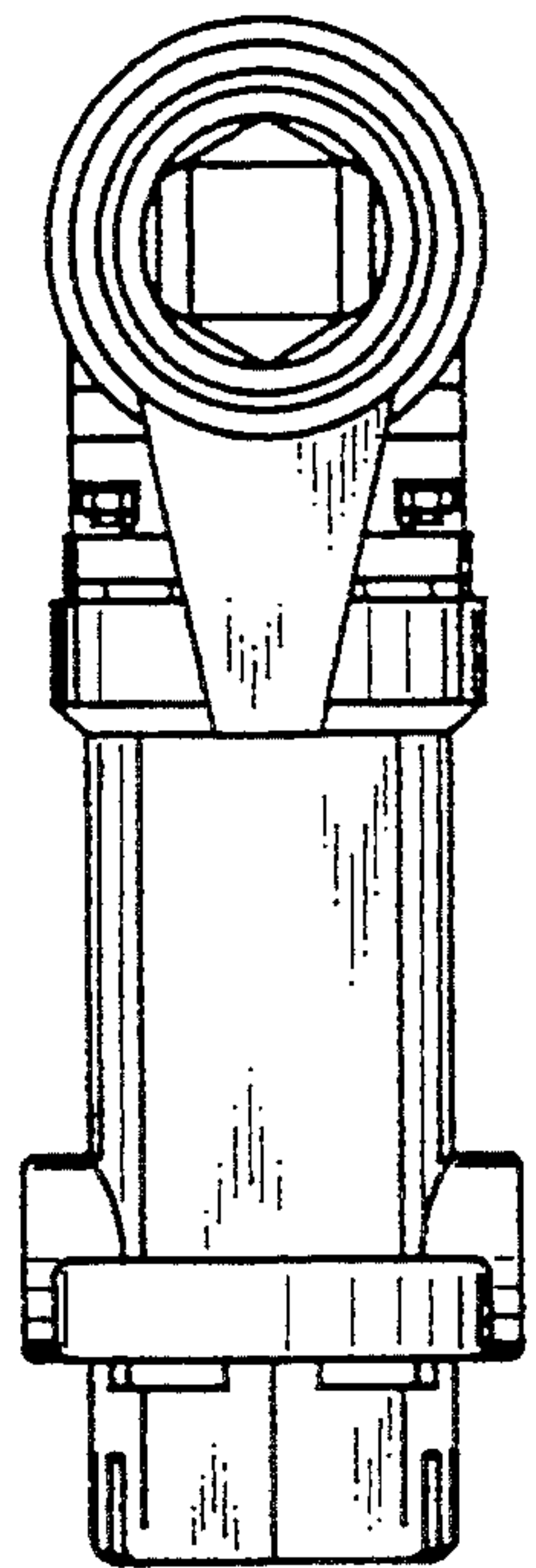


FIG. 5

