



US00D360567S

**United States Patent** [19]  
**Takahashi**

[11] **Patent Number: Des. 360,567**  
[45] **Date of Patent: \*\* Jul. 25, 1995**

[54] **PRINTER**

[75] **Inventor: Hiromitsu Takahashi, Nagano, Japan**

[73] **Assignee: Seiko Epson Corporation, Tokyo, Japan**

[\*\*] **Term: 14 Years**

[21] **Appl. No.: 13,242**

[22] **Filed: Sep. 22, 1993**

[52] **U.S. Cl. .... D18/50; D18/55**

[58] **Field of Search .... D18/50, 54, 55;  
400/691-694, 690.1-690.4, 613, 613.1-613.4,  
88; 235/432**

[56] **References Cited**

**U.S. PATENT DOCUMENTS**

D. 245,200	7/1977	Packard .....	D18/54
D. 264,978	6/1982	Ohno .....	D18/54
D. 266,849	11/1982	Meister, Jr. et al. ....	D18/54
D. 270,732	9/1983	Brown et al. ....	D18/54
D. 276,342	11/1984	Kitai .....	D18/54
D. 297,237	8/1988	Long .....	D18/55
D.323,846	2/1992	Yamamoto .....	D18/50
5,047,615	9/1991	Fukumoto et al. ....	235/432
5,057,676	10/1991	Komaki .....	235/432

**FOREIGN PATENT DOCUMENTS**

5823070 5/1985 Japan ..... D18/35 50

**OTHER PUBLICATIONS**

Norand Data Systems 80-Column Modular Printer brochure ©1988.

Newgen Systems Corporation brochure; Imager Plus 12 TM Plain Paper Imagesetter; (©1993).

*Primary Examiner*—Cathy Anne MacCormac

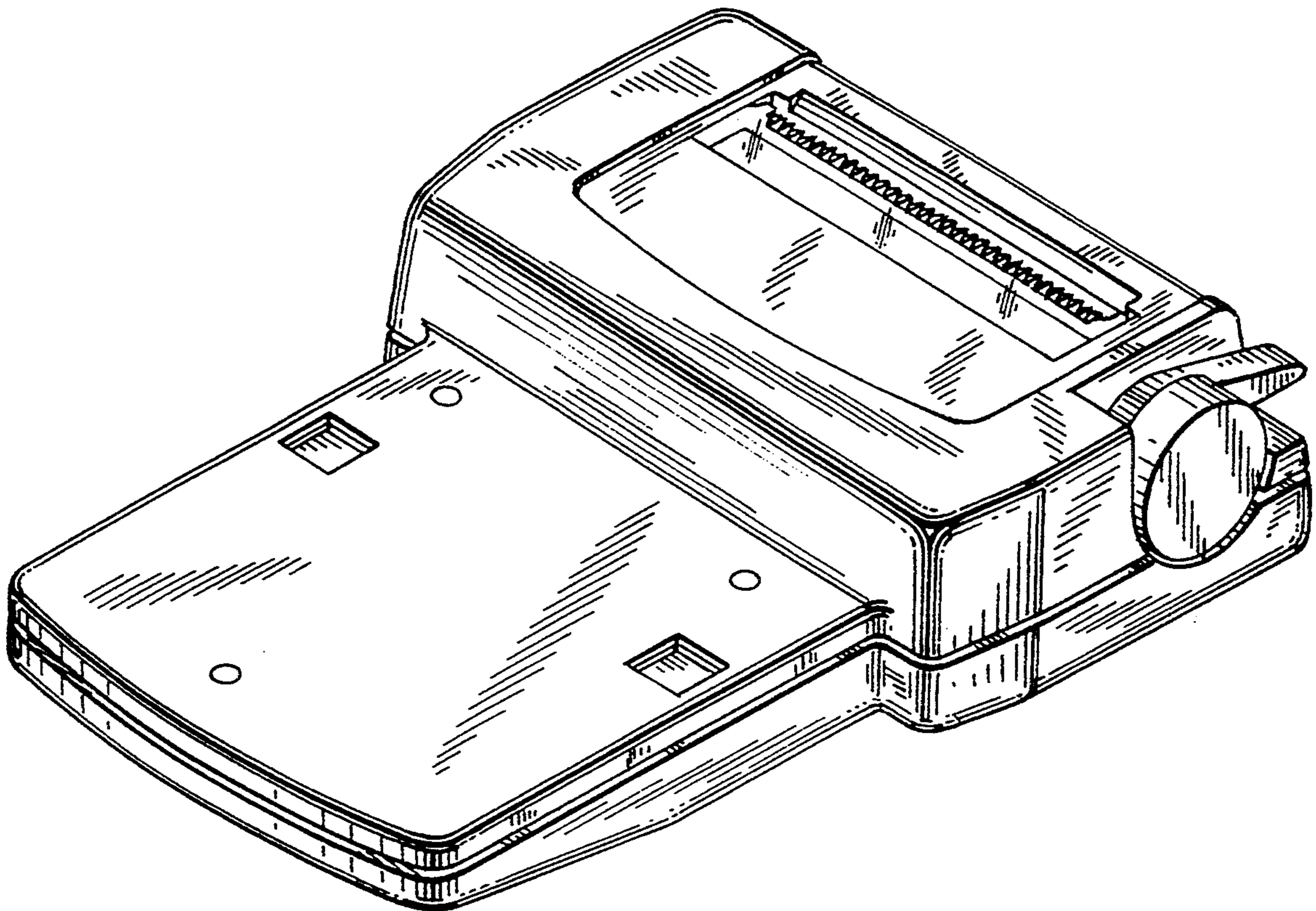
*Attorney, Agent, or Firm*—Stroock & Stroock & Lavan

[57] **CLAIM**

The ornamental design for a printer, as shown and described.

**DESCRIPTION**

FIG. 1 is a front perspective view of the printer in accordance with my new design;  
FIG. 2 is a top plan view thereof;  
FIG. 3 is a front elevational view thereof;  
FIG. 4 is a left side view thereof;  
FIG. 5 is a right side view thereof;  
FIG. 6 is a rear elevational view thereof; and,  
FIG. 7 is a bottom plan view thereof.



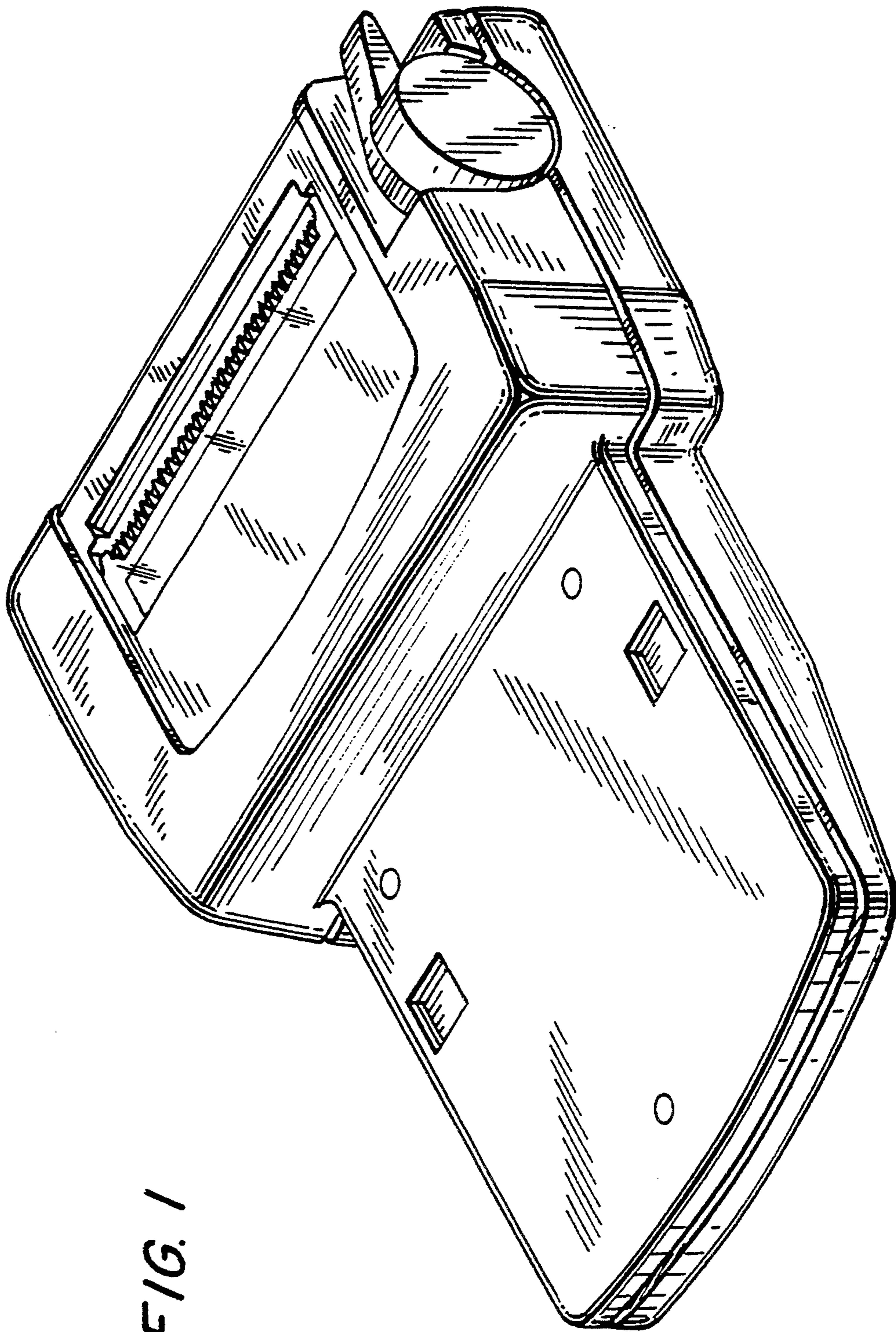
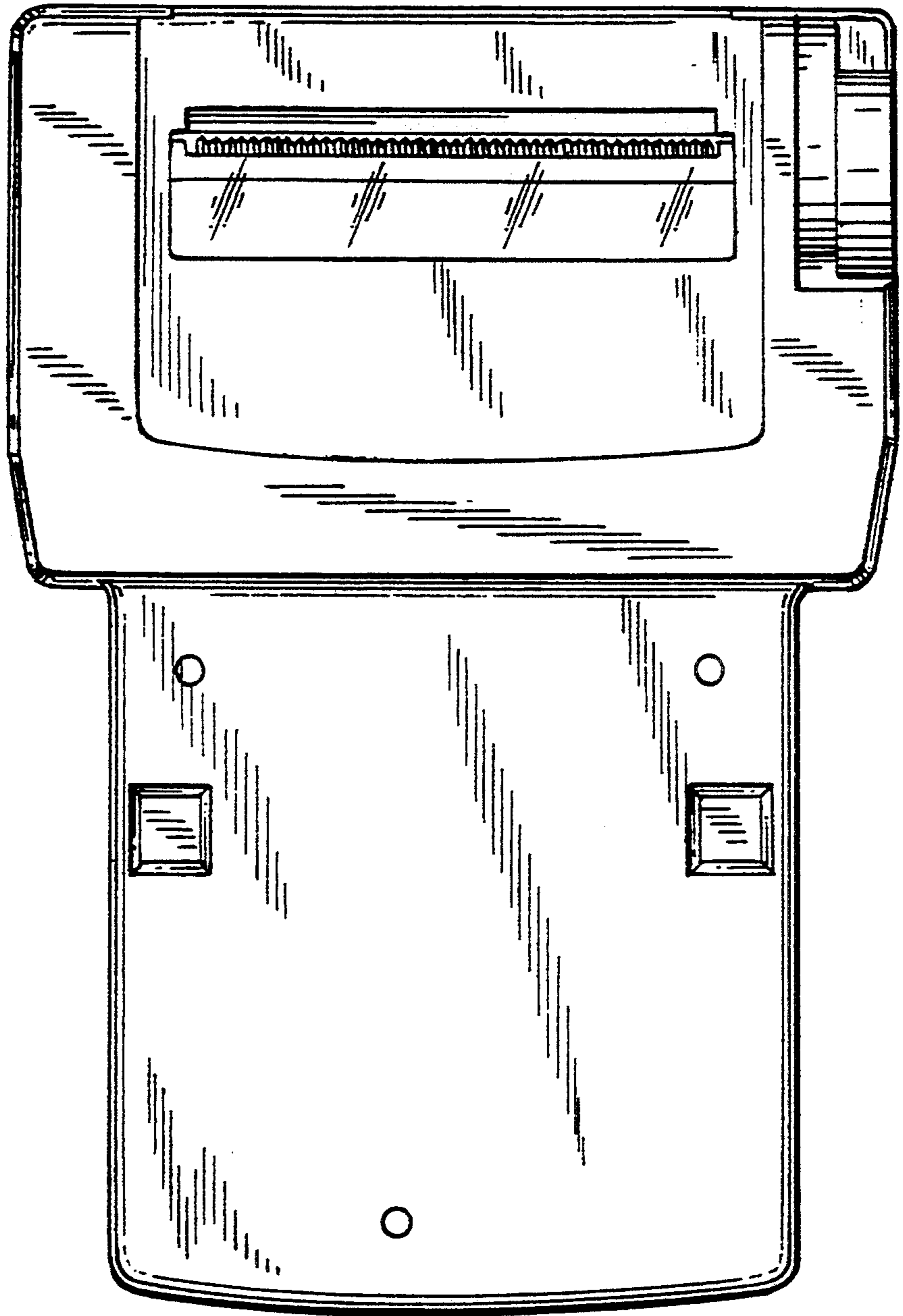
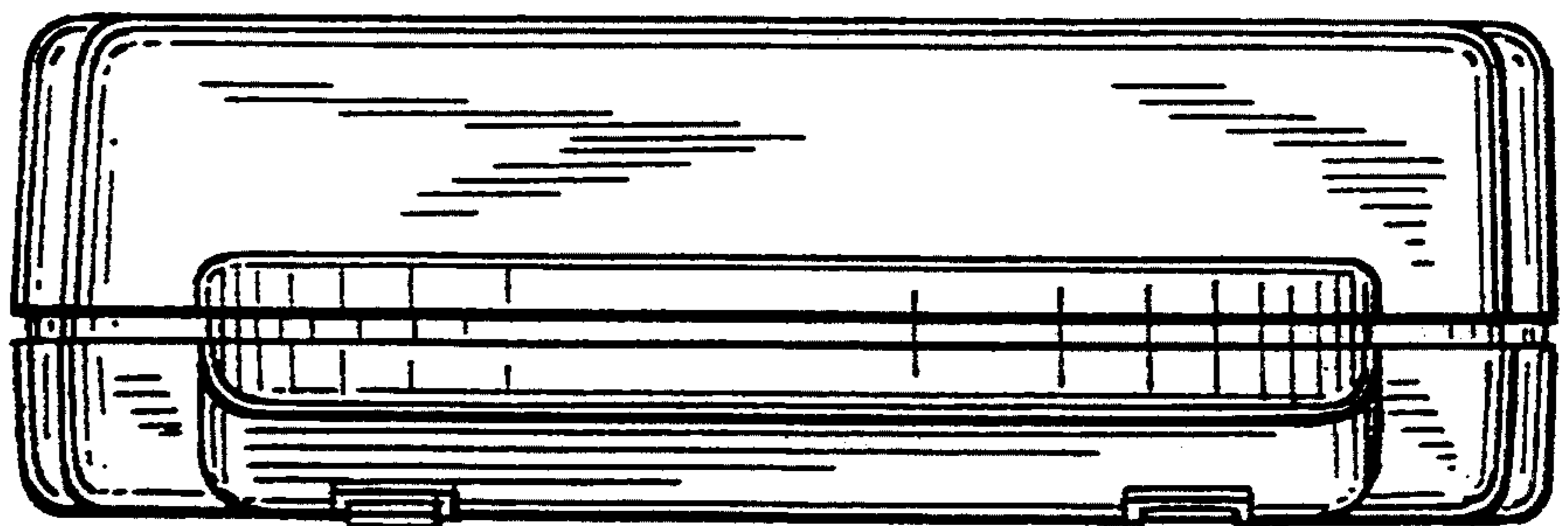


FIG. 1



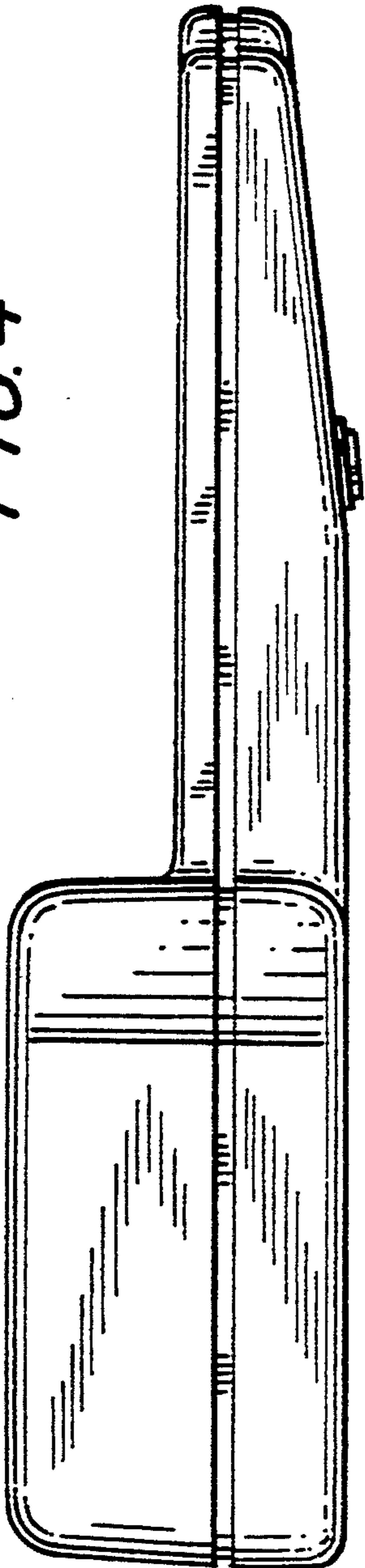


*FIG. 2*

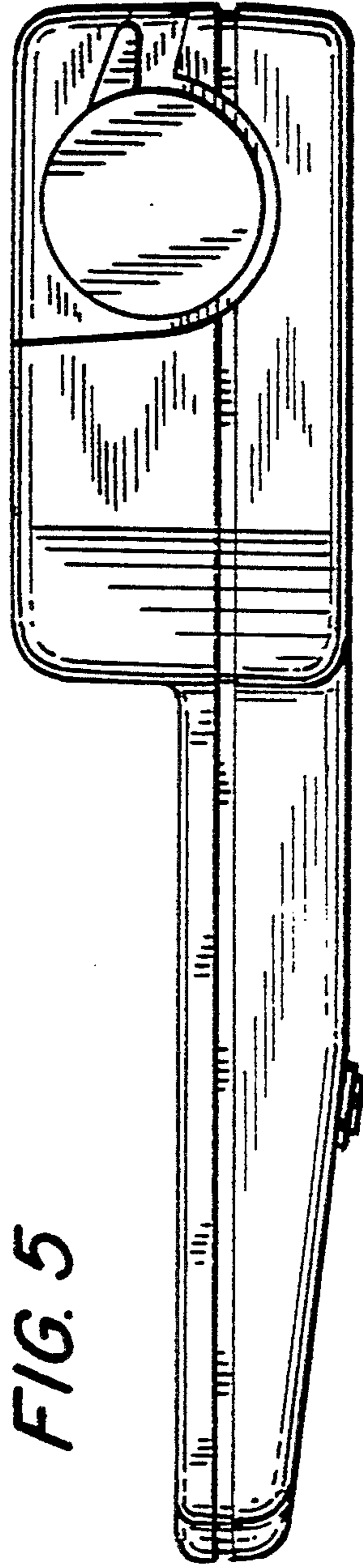


*FIG. 3*

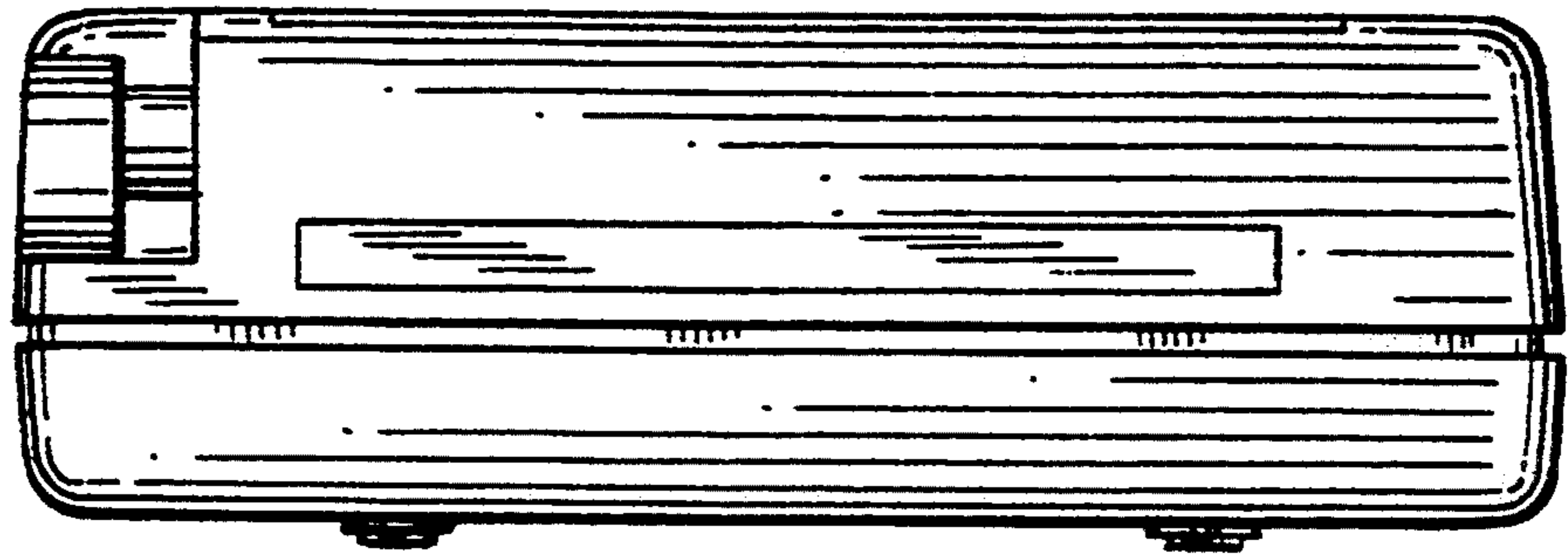
*FIG. 4*



*FIG. 5*



*FIG. 6*



*FIG. 7*

