



US00D360566S

# United States Patent [19]

[11] Patent Number: **Des. 360,566**

Marks et al.

[45] Date of Patent: **\*\* Jul. 25, 1995**

[54] **STAPLER**

[75] Inventors: **Joel S. Marks**, Los Angeles, Calif.;  
**Michael P. Ballone**, New Providence, N.J.; **M. Gary Grossman**, Riverside; **Keith C. Kristiansen**, Stratford, both of Conn.; **Edward H. Meisner**, Short Hills, N.J.

[73] Assignee: **Black & Decker Inc.**, Newark, Del.

[\*\*] Term: **14 Years**

[21] Appl. No.: **29,592**

[22] Filed: **Aug. 31, 1994**

### Related U.S. Application Data

[63] Continuation of Ser. No. 4,595, Feb. 9, 1993, abandoned.  
[52] **U.S. Cl.** ..... **D8/49**  
[58] **Field of Search** ..... **D8/49, 50, 61, 69;**  
227/120, 127, 128, 132, 132

### [56] References Cited

#### U.S. PATENT DOCUMENTS

D. 184,265	1/1959	Ruskin	.....	D8/49
D. 187,509	3/1960	Ruskin	.....	D8/50
D. 280,069	8/1985	Hillinger	.....	D8/49
D. 289,366	4/1987	Speizer	.....	D8/49
D. 333,601	3/1993	Wingert	.....	D8/49
D. 349,439	8/1994	Chou	.....	D8/49
1,919,373	7/1933	Krantz	.....	227/132
2,326,540	8/1943	Krantz	.....	227/132
2,671,215	3/1954	Abrams	.....	

2,769,174	11/1956	Libert	.....	
3,610,505	10/1971	Males	.....	227/132
4,204,622	5/1980	Smith et al.	.....	227/131
4,405,073	9/1983	Escalante	.....	227/120
4,629,108	12/1986	Judge	.....	227/132
4,640,451	2/1987	Steiner et al.	.....	227/120
5,165,587	11/1992	Marks	.....	227/132

### FOREIGN PATENT DOCUMENTS

255111	1/1949	Switzerland	.....	
807937	1/1959	United Kingdom	.....	
1364336	8/1974	United Kingdom	.....	
2229129	9/1990	United Kingdom	.....	

### OTHER PUBLICATIONS

BCOP, 1989 p. 243 (Heavy Duty Gun Tacker) (Item E).  
Office Supplies Catalog, 1962 p. 387 (stapler T-50-OC).

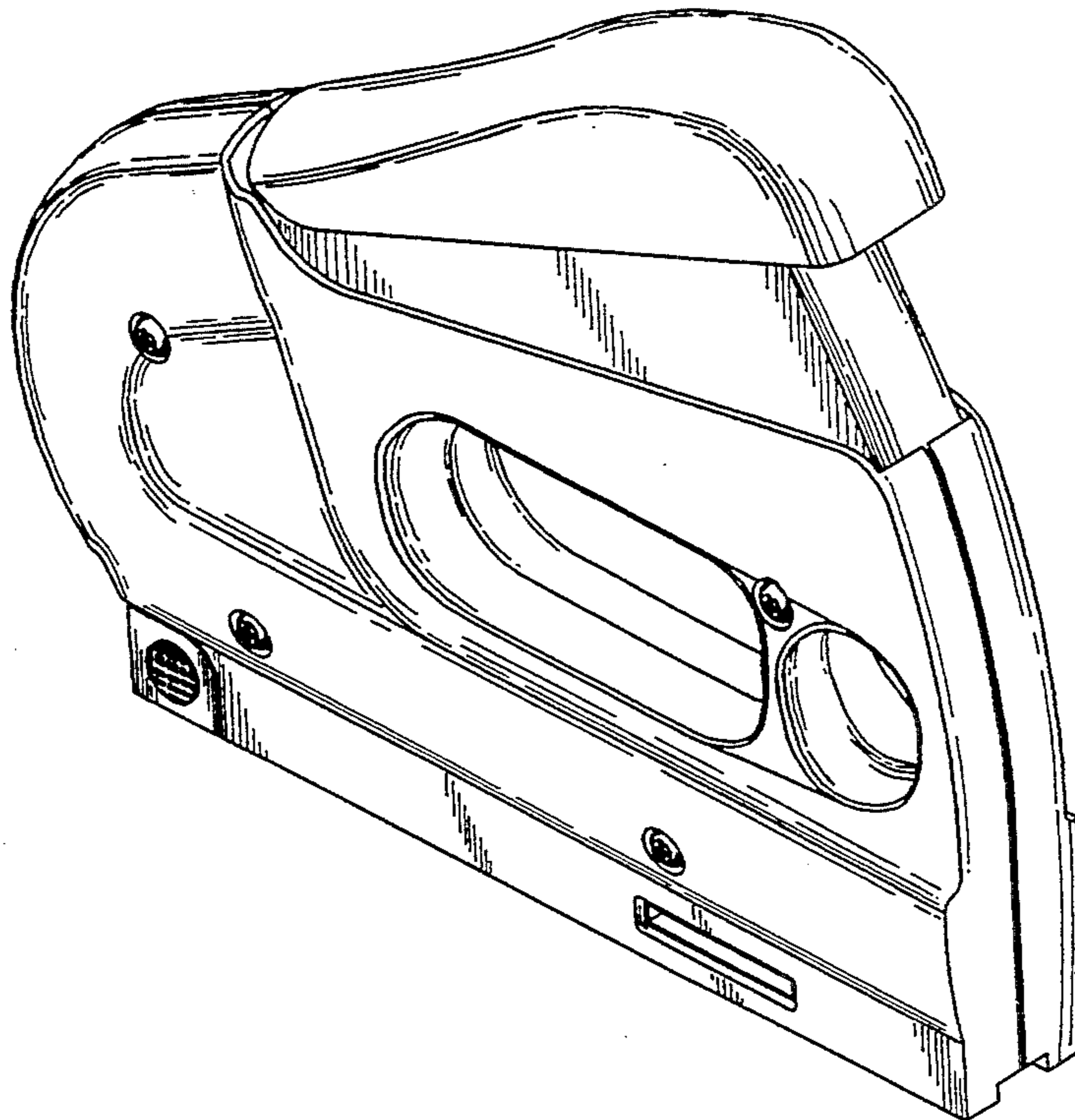
*Primary Examiner*—Theodore M. Shooman  
*Assistant Examiner*—Adir Aronovich  
*Attorney, Agent, or Firm*—Charles E. Yocum; Dennis A. Dearing; John D. Del Ponti

### [57] CLAIM

The ornamental design for a stapler, as shown.

### DESCRIPTION

FIG. 1 is a front perspective view of a stapler showing our new design;  
FIG. 2 is a left side elevational view thereof;  
FIG. 3 is a right side elevational view thereof;  
FIG. 4 is a front elevational view thereof;  
FIG. 5 is a rear elevational view thereof;  
FIG. 6 is a top plan view thereof; and,  
FIG. 7 is a bottom plan view thereof.



*FIG. 1*

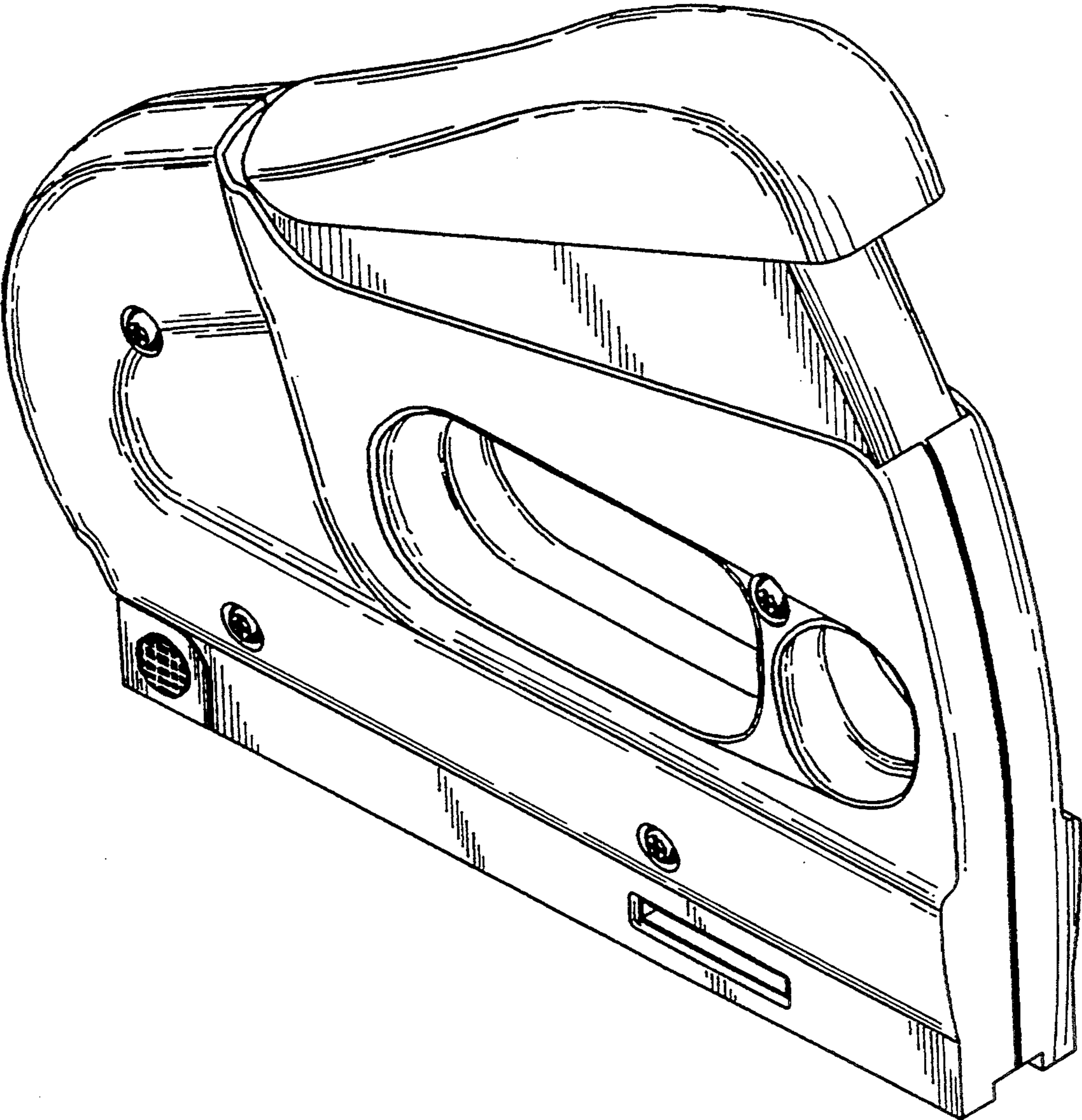
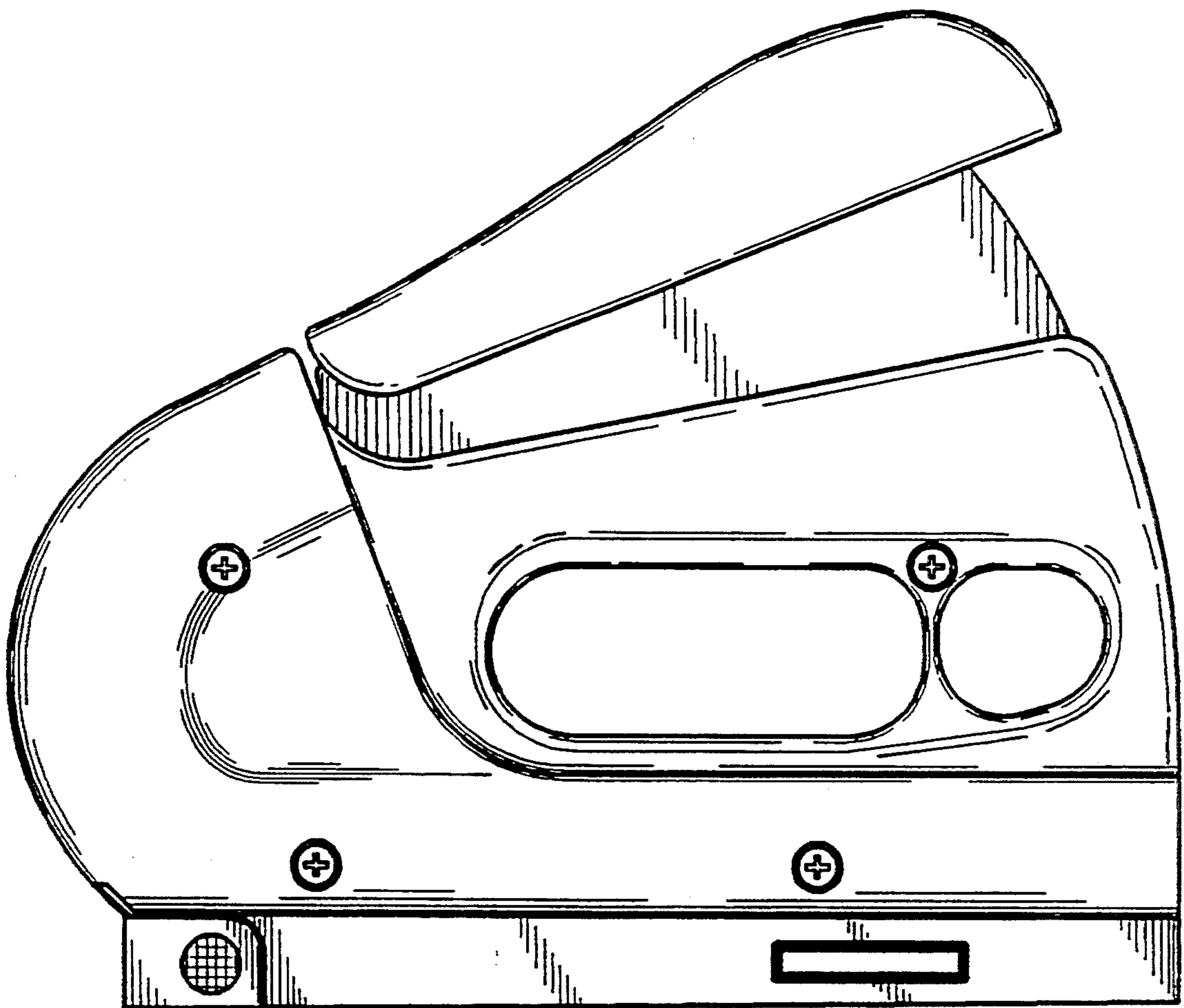
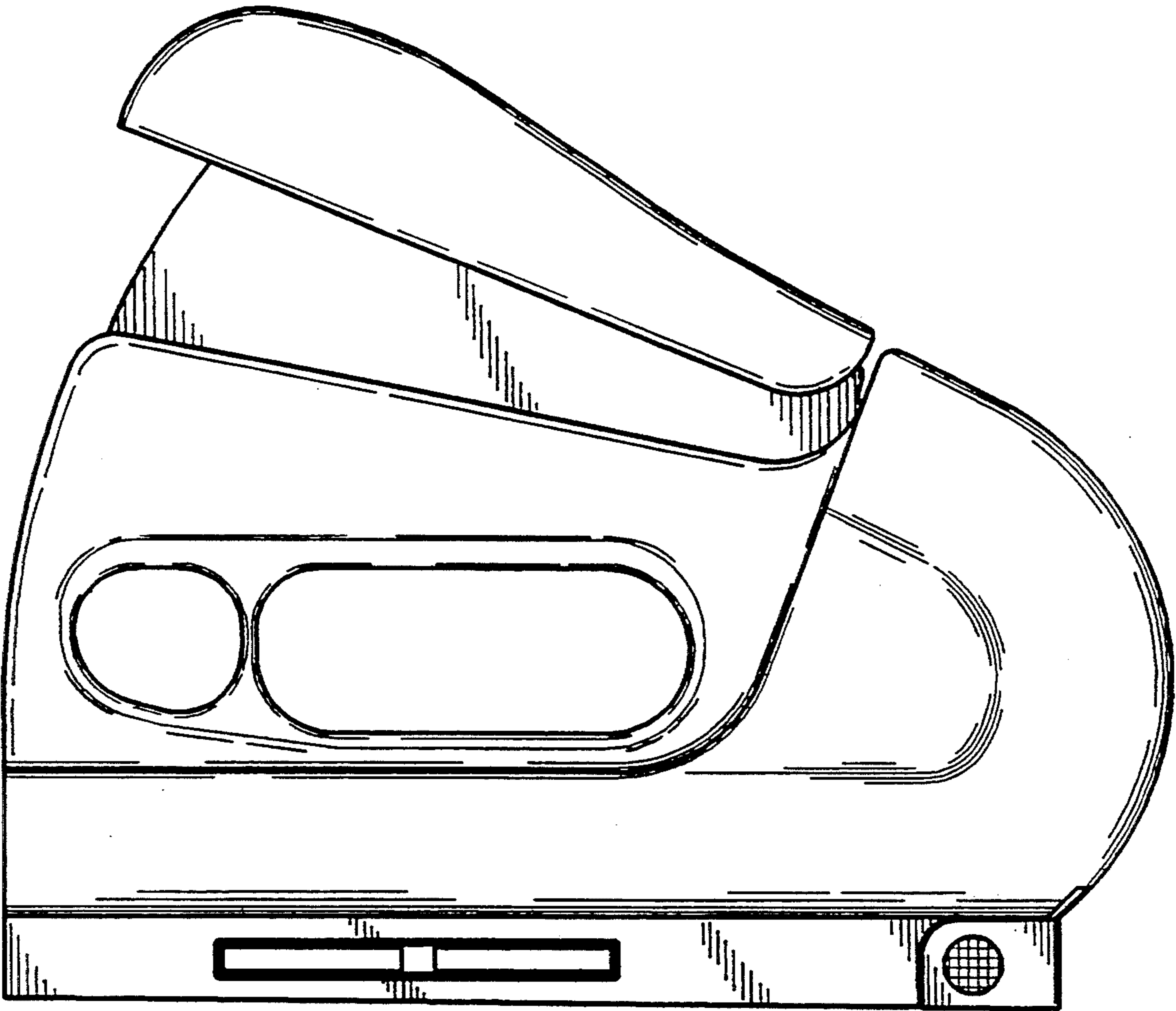


FIG. 2

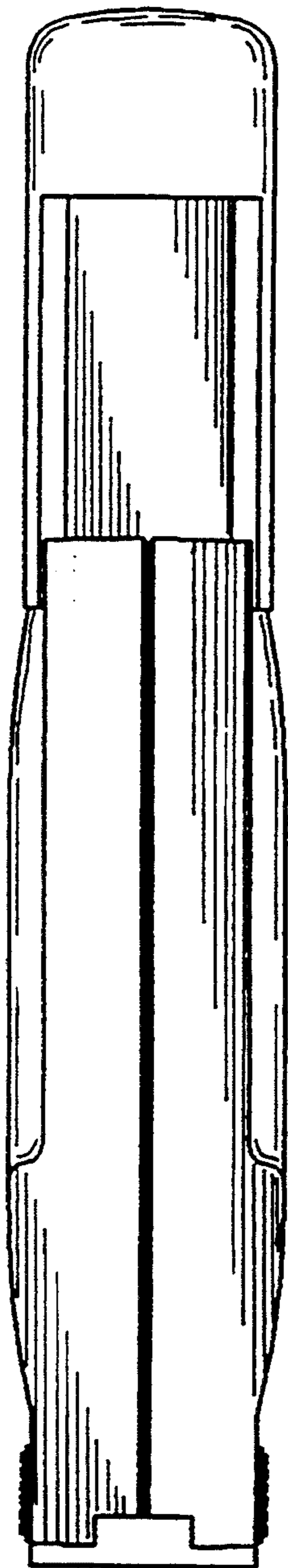




*FIG. 3*



*FIG. 4*



*FIG. 5*

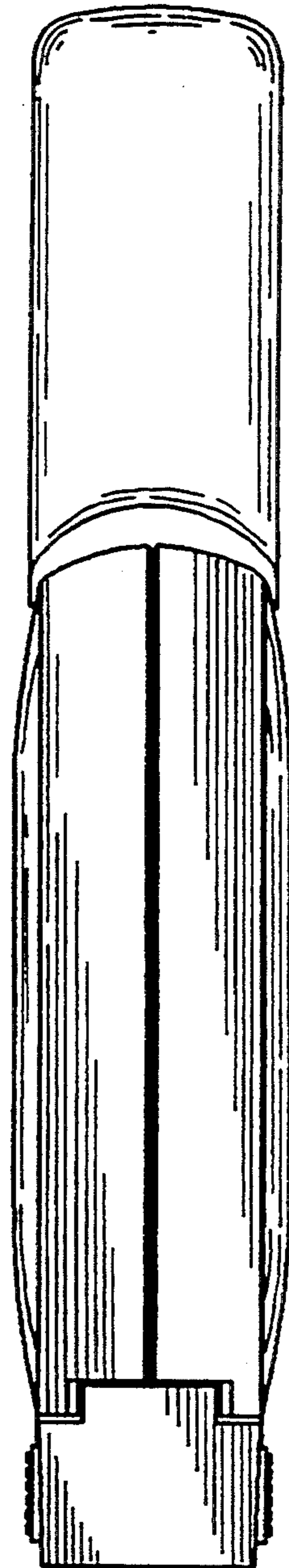


FIG. 6

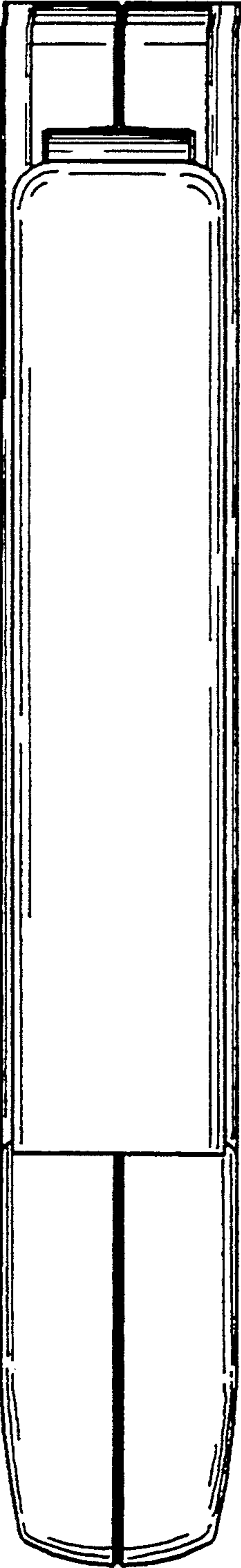


FIG. 7

